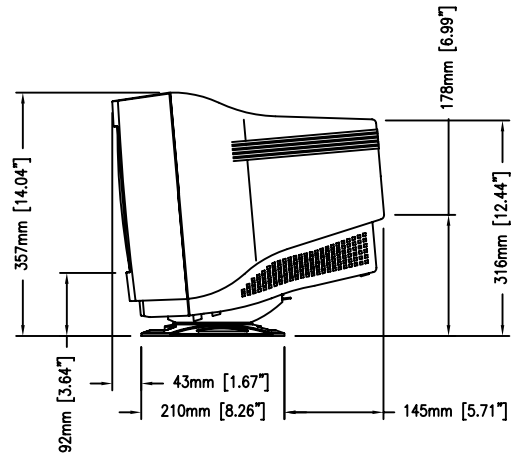
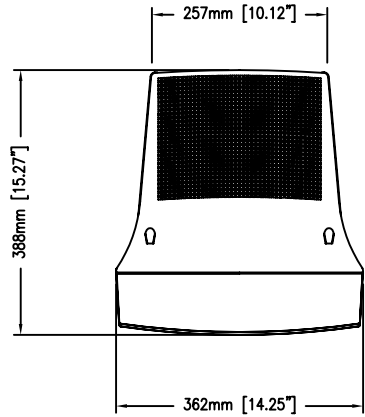
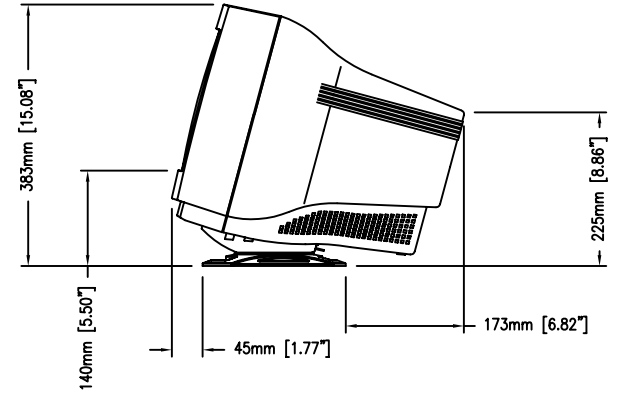


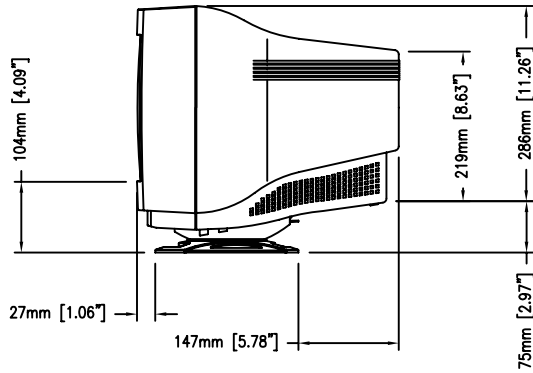
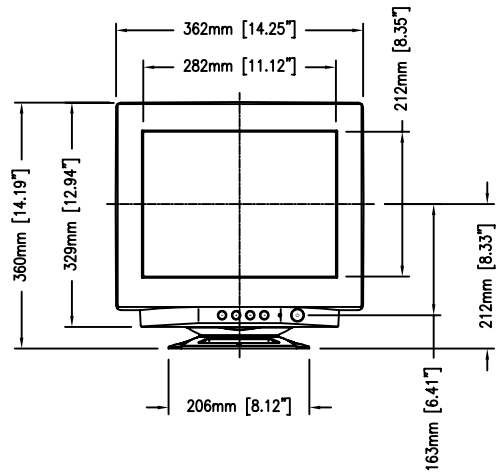
1525C AND 1526C SERIES  
DESKTOP TOUCHMONITOR



MAXIMUM FORWARD TILT : 5°



MAXIMUM AFT TILT : 15°



DIMENSIONS ARE IN MILLIMETERS [INCHES]

ITEM	DESCRIPTION
396036-001	ET1525C-4CWE-3
139862-001	ET1526C-4CWE-3
630062-000	ET1525C-7UWE-1
748998-000	ET1525C-7SWE-1
516252-000	ET1526C-7UWE-1
263864-000	ET1526C-7SWE-1