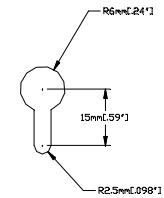
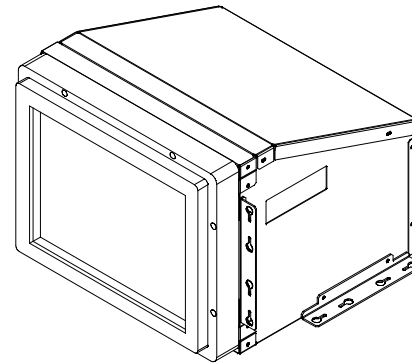
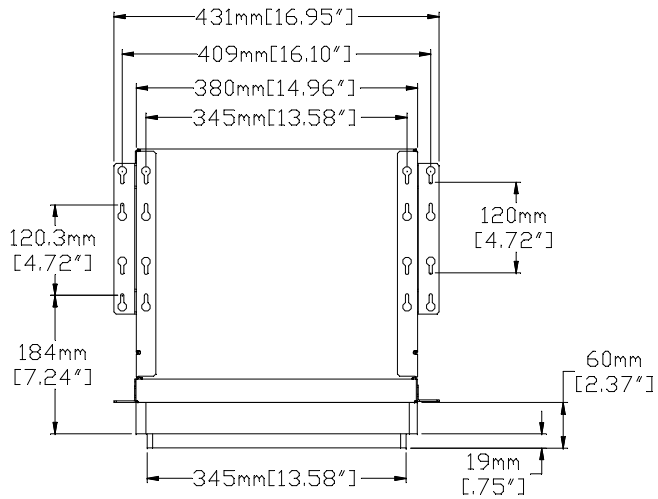
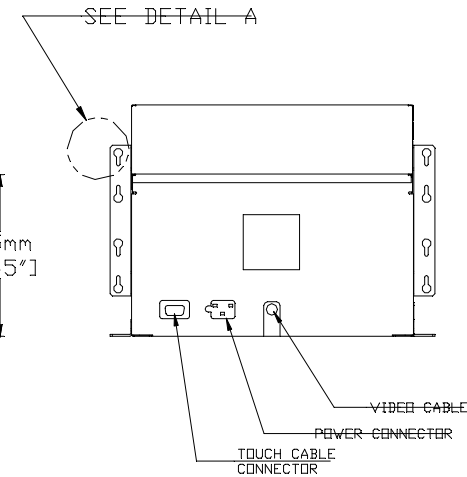
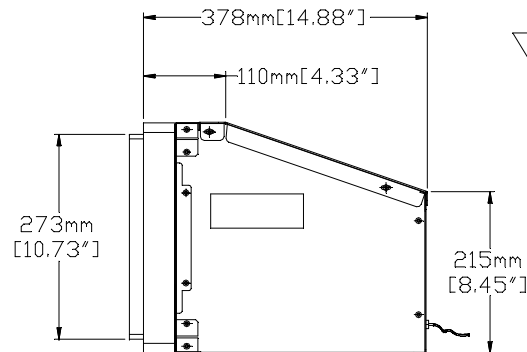
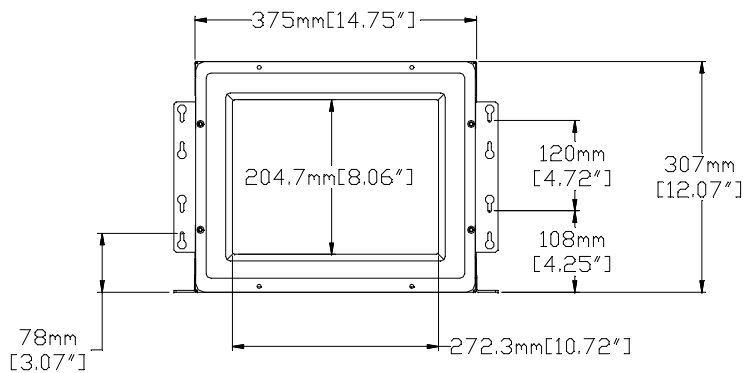


1545C SERIES KIOSK TOUCHMONITOR

ITEM	DESCRIPTION
122402-000	ET1545C-8SWD-1
194336-000	ET1545C-8UWD-1
345362-000	ET1545C-4SWD-1
888284-000	ET1545C-4UWD-1



DETAIL A
SCALE 5:1



DIMENSIONS ARE IN MILLIMETERS/INCHES
DRAWING NOT TO SCALE

NOTE:

BEZEL IS BLACK, METAL IS CRS PRE-PLATE,
TOP IS ALUMINUM, ANODIZED.