

Elo Entuitive Touchmonitor User Guide



For 15" LCD Panel Mount Touchmonitors
ET1566L-7SWC-1



Elo Entuitive Touchmonitor User Guide

15" LCD Panel Mount Touchmonitor

ET1566L-7SWC-1



Revision C

P/N 008531

Elo TouchSystems, Inc.

1-800-ELOTOUCH
www.elotouch.com



Table of Contents

| | | |
|-------------------------------------------------------------------------------------------------|-----------|--|
| Chapter 1 | | |
| Introduction | 1 | |
| Precautions | 1 | |
| About the Product | 1 | |
| Chapter 2 | | |
| Installation and Setup | 3 | |
| Unpacking Your Panel Mount Touchmonitor | 4 | |
| Product Overview | 5 | |
| Main Unit | 5 | |
| Rear View | 5 | |
| Bottom View | 6 | |
| Remote OSD with Cable Attachment | 6 | |
| Mounting Your Touchmonitor | 7 | |
| Connecting Your Touchmonitor | 8 | |
| Optimizing the LCD Display | 11 | |
| Installing the Driver Software | 12 | |
| Installing the Serial Touch Driver for Windows XP, Windows 2000, Me, 95/98 and NT 4.0 | 13 | |
| Installing the Serial Touch Driver for MS-DOS and Windows 3.1 | 14 | |
| Chapter 3 | | |
| Operation | 15 | |
| About Touchmonitor Adjustments | 15 | |
| Connecting the OSD Module | 16 | |
| OSD Module Controls | 17 | |
| OSD Menu Function. | 18 | |
| Chapter 4 | | |
| Troubleshooting | 19 | |
| Solutions to Common Problems. | 19 | |
| Appendix A | | |
| Native Resolution | 21 | |
| Appendix B | | |
| Touchmonitor Safety | 23 | |
| Care and Handling of Your Touchmonitor | 24 | |
| Appendix C | | |
| Technical Specifications | 25 | |
| Compatibility Modes | 25 | |
| Touchmonitor Specifications | 26 | |
| 15" LCD Touchmonitor (ET1566L) Specifications | 26 | |
| AccuTouch Touchscreen Specifications | 27 | |
| 15" LCD Panel Mount Touchmonitor (ET1566L-7SWC-1) Dimensions | 28 | |
| Panel Cutout | 30 | |
| Regulatory Information | 31 | |
| Warranty | 35 | |
| Index | 37 | |

Copyright © 2003 Elo TouchSystems Inc. All Rights Reserved.

No part of this publication may be reproduced, transmitted, transcribed, stored in a retrieval system, or translated into any language or computer language, in any form or by any means, including, but not limited to, electronic, magnetic, optical, chemical, manual, or otherwise without prior written permission of Elo TouchSystems.

Disclaimer

The information in this document is subject to change without notice. Elo TouchSystems makes no representations or warranties with respect to the contents hereof, and specifically disclaims any implied warranties of merchantability or fitness for a particular purpose. Elo TouchSystems reserves the right to revise this publication and to make changes from time to time in the content hereof without obligation of Elo TouchSystems to notify any person of such revisions or changes.

Trademark Acknowledgments

IntelliTouch, SecureTouch, AccuTouch, Entuitive, and MonitorMouse are trademarks of Elo TouchSystems, Inc.

Other product names mentioned herein may be trademarks or registered trademarks of their respective companies. Elo TouchSystems claims no interest in trademarks other than its own.

INTRODUCTION

Congratulations on your purchase of an Elo TouchSystems Entuitive LCD panel mount touchmonitor. Your new high-resolution industrial touchmonitor combines the reliable performance of Elo's touch technology with the latest advances in LCD display design. This combination of features creates a natural flow of information between you and your touchmonitor.

Precautions

Follow all warnings, precautions and maintenance as recommended in this user's manual to maximize the life of your unit. See Appendix B for more information on touchmonitor safety.

About the Product

Your LCD panel mount Touchmonitor is a 15" XGA TFT color display with the following features:

- Direct analog RGB input
- 15.0" diagonal screen size
- 16.7 million displayable colors (262,144-1549L)
- 1024 x 768 resolution
- XGA/ SVGA/ VGA/ VESA/ Mac/ NEC PC-98 compatible
- 24~60kHz horizontal scan
- 56~75Hz refresh rate

- Auto adjustment capability
 - High quality full screen re-scaling
 - Multilingual OSD menus in four languages: English, French, Italian, Spanish, and Japanese
 - VESA flat panel monitor physical mounting interface (75mm)
 - Worldwide agency approvals that include UL*, CUL*, TÜV- Bauart, FCC, CE, C-Tick, VCCI
 - Certified by UL to NEMA 4, 4x and 12: ET1566L-7SWC-1*
 - Designed to meet NEMA 4, 4x & 12: ET1566L-9SWC-1/5*
- *ITE recognized component

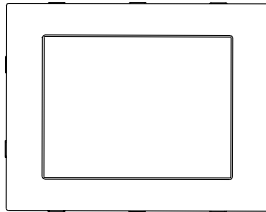
For full Product Specifications refer to Appendix C.

INSTALLATION AND SETUP

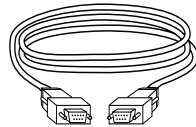
This chapter discusses how to install your LCD panel mount touchmonitor and how to install Elo TouchSystems driver software.

Unpacking Your Panel Mount Touchmonitor

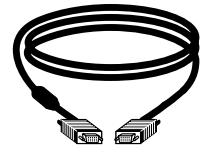
Check that the following 7 items are present and in good condition:



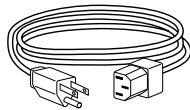
LCD Display



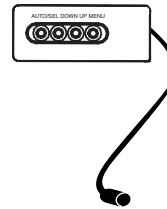
Serial touchscreen cable



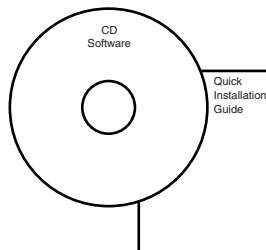
Video cable



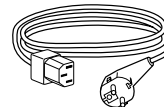
Monitor power cable (US/Canada)



OSD module



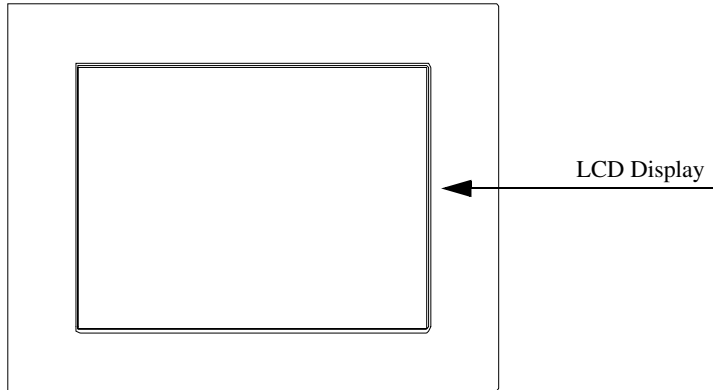
Quick Installation Guide and software CD



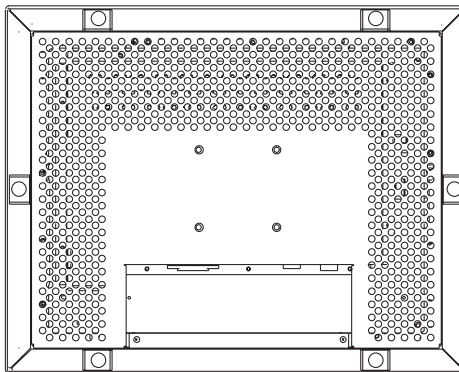
European monitor power cable
(Note: shipments to the UK will also contain a UK power cord.)

Product Overview

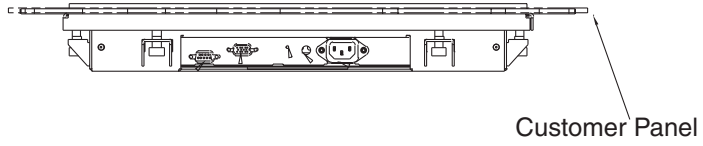
Main Unit



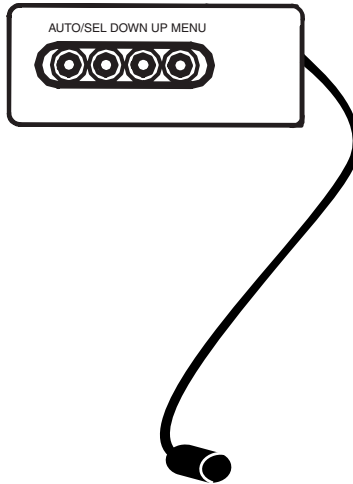
Rear View



Bottom View



Remote OSD with Cable Attachment



Mounting Your Touchmonitor

NOTE: You will need a 6mm allen socket and torque wrench (Hex) to attach the mounting brackets.

Your panel mount touchmonitor comes with 6 mounting brackets (and 6 screws). You will need 6 brackets to mount your touchmonitor. Two brackets attach to the top and bottom and one on each side.

To mount your touchmonitor to a panel, follow the steps below:

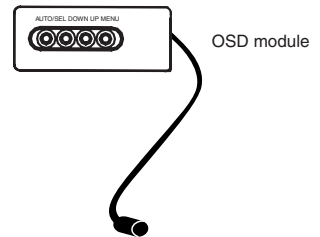
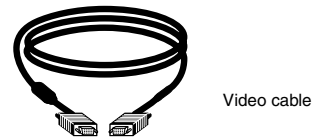
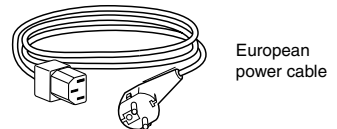
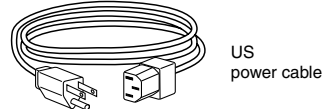
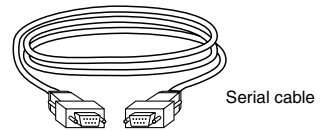
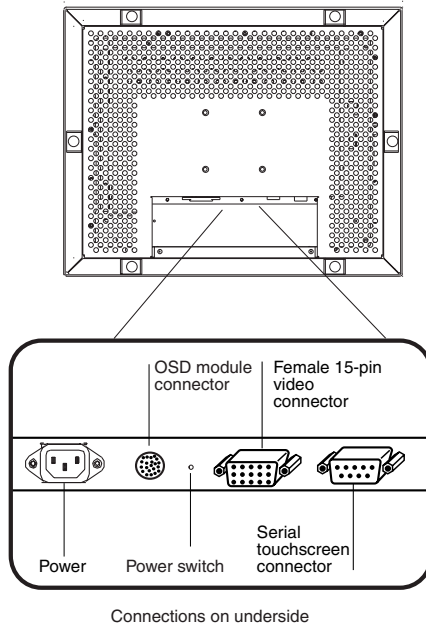
- 1** Prepare the opening in the panel (307mm x 398.2mm/12.08" x 15.68"). See page C-36. Mounting panel thickness must not exceed 13mm.
- 2** Disassemble the 6 brackets and NEMA frame.
- 3** Verify that your touchmonitor will clear the opening as you attempt to front mount it. The opening will be covered by the bezel flanges.
- 4** Mount the touchmonitor from the front side of the opening in the supporting panel and temporarily secure it.
- 5** From the back of the panel opening, slip the NEMA frame over the rear cover. Attach the 6 brackets into the slots. Use 2 brackets on top and bottom and 1 on each side.
- 6** **To secure the touchmonitor, turn the screws clockwise until a firm contact is made with the NEMA frame. To assure a “flat” mount, screws should be tightened “cris-cross” and not sequentially, i.e. tighten the upper left corner screw first then the lower right screw. Torque screws to 35 in lbs. (4 Nm).**

Connecting Your Touchmonitor

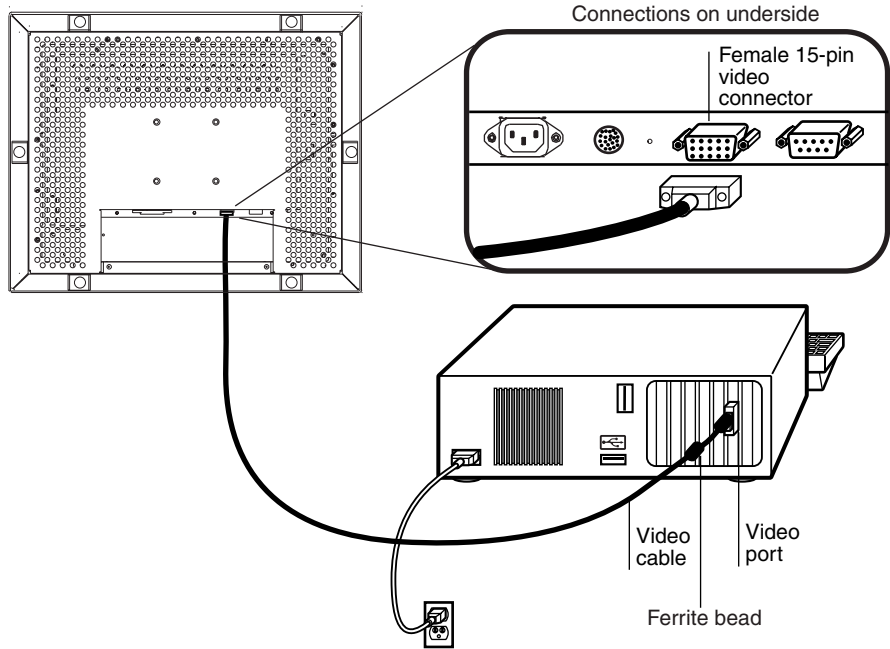
The following illustrations guide you step by step in connecting your touchmonitor.



Before connecting the cables to your touchmonitor and PC, be sure that the computer and the touchmonitor are turned off.

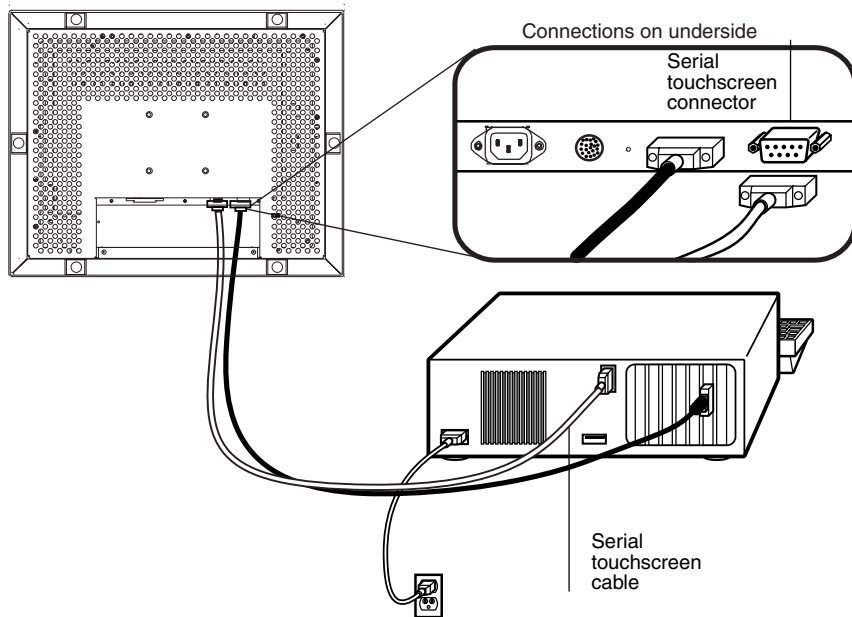


STEP 1-Connecting the Video Cable



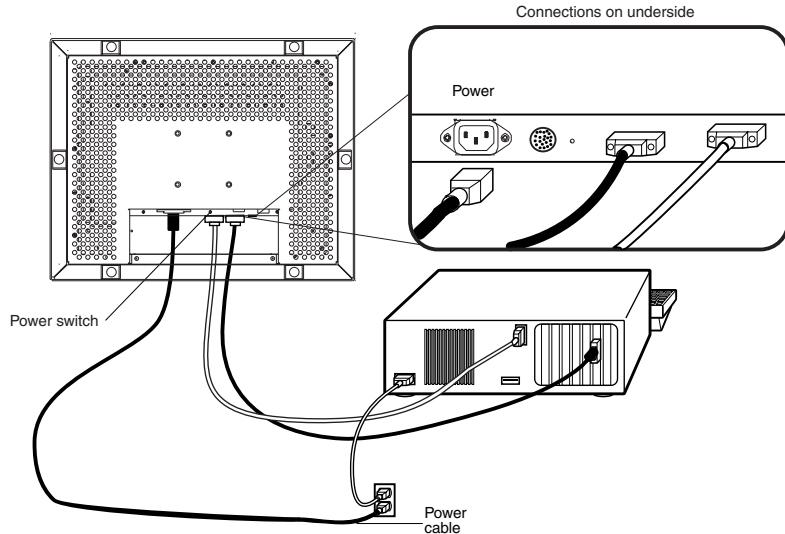
- Connect the 15-pin video cable (the ferrite bead end) to the video port on your PC.
- Connect the other end of the video cable to the video connector on your touchmonitor.
- Secure the cable to your touchmonitor and PC by turning the screws on the connector clockwise.

STEP 2-Connecting the Serial Touchscreen Cable



- Connect the female end of the serial (RS-232) cable to the serial port on the back of your PC.
- Connect the male end of the cable to the serial touchscreen connector on your touchmonitor.
- Secure the cable to your touchmonitor and PC by turning the screws on the connector.

STEP 3-Connecting the Power Cable



Depending on where you live, you will use either the European or US/Canadian power cable.

- Connect the female end of the power cable to the Brick power supply.
- Connect the Brick power supply into the power port on the touchmonitor.



To protect your equipment against risk of damage from electrical surges in the power line, plug the brick supply's power cord into a surge protector, and then connect the surge protector to a grounded (three-pronged) AC electrical outlet.

- Power on your PC then your touchmonitor. After a brief pause the picture should appear.
- The power can be turned on and off by the small white switch on the back of the touchmonitor. The touchmonitor can also be turned on and off by plugging and unplugging the power cable.

Optimizing the LCD Display

To ensure the LCD display works well with your computer, configure the display mode of your graphic card to output 1024 x 768 resolution, and make sure the timing of the display mode is compatible with the LCD display. Refer to Appendix A for more information about resolution. Compatible video modes for your touchmonitor are listed in Appendix C. Refer to Chapter 3 for more information on adjusting your touchmonitor's video characteristics.

Installing the Driver Software

Elo TouchSystems provides driver software that allows your touchmonitor to work with your computer. Drivers are located on the enclosed CD-ROM for the following operating systems:

- Windows XP
- Windows 2000
- Windows Me
- Windows 98
- Windows 95
- Windows NT 4.0

Additional drivers and driver information for other operating systems (including MS DOS, Windows 3.x, OS/2, Macintosh and Linux) are available on the Elo TouchSystems web site at www.elotouch.com.

Your Elo touchmonitor is plug-and-play™ compliant. Information on the video capabilities of your touchmonitor is sent to your video display adapter when Windows starts. If Windows detects your touchmonitor, follow the instructions on the screen to install a generic plug-and-play monitor.

Refer to the appropriate following section for driver installation instructions.

Installing the Serial Touch Driver for Windows XP, Windows 2000¹, Me, 95/98 and NT 4.0

NOTE: For Windows 2000 and NT 4.0 you must have administrator access rights to install the driver.

1 Insert the Elo CD-ROM in your computer's CD-ROM drive.

If the AutoStart feature for the CD-ROM drive is active, the system automatically detects the CD and starts the setup program.

2 Follow the directions on the screen to complete the driver setup for your version of Windows.

If the AutoStart feature is not active:

1 Click **Start > Run**.

2 Click the **Browse** button and locate the EloCd.exe program on the CD-ROM.

3 Click **Open**, then **OK** to run EloCd.exe.

4 Follow the on-screen directions to complete the driver setup for your version of Windows.

¹To install Windows 2000 and Windows XP, you must use the "update driver" method; you will not find a setup.exe file within the download.

Installing the Serial Touch Driver for MS-DOS and Windows 3.1

To install the drivers for Windows 3.x and MS-DOS from Windows 95/98, follow these steps:

- 1 Insert the Elo CD-ROM in your computer's CD-ROM drive.
- 2 From DOS, type `d:\EloDos_W31` to change to the correct directory on the CD-ROM (your CD-ROM drive may be mapped to a different drive letter).
- 3 Type `INSTALL` and press **Enter** to start the installation.
- 4 Align the touchscreen.

If you need additional installation information, see Chapter 2 of the *Elo DOS and Windows Driver Guide* found on www.elotouch.com.

To run the `INSTALL` program:

- 1 Type `INSTALL` at the DOS prompt in the directory containing the driver install files.
- 2 `INSTALL` asks you to select the software to install.
- 3 Choose `d:\EloDos_W31` from the displayed list.
- 4 `INSTALL` also asks you for the paths to use during installation. You may select a path, or use the defaults. `INSTALL` creates directories as necessary, and warns you if they exist.

If you are updating your software, you may wish to specify the paths containing the earlier versions, and overwrite the obsolete files. All executable programs are upward compatible. For a list of differences from each previous version of the drivers, be sure to select "Differences from Previous Versions" during the installation process.

`INSTALL` updates your `AUTOEXEC.BAT` file with the drivers you select. `INSTALL` makes a copy of your original `AUTOEXEC.BAT` file, called `AUTOEXEC.OLD`. If you already have Elo driver commands in your `AUTOEXEC.BAT` file, they will be commented out.

When `INSTALL` is finished, it leaves a file called `GO.BAT` in the subdirectory you specified. `GO` loads the touchscreen driver, runs the calibration program `ELOCALIB`, and gives you some final instructions.

If you are using Windows 3.1, you will also align the touchscreen within Windows 3.1 using the Touchscreen Control Panel.

OPERATION

About Touchmonitor Adjustments

Variations in video output and application will likely require you to adjust your touchmonitor to optimize the quality of the display.

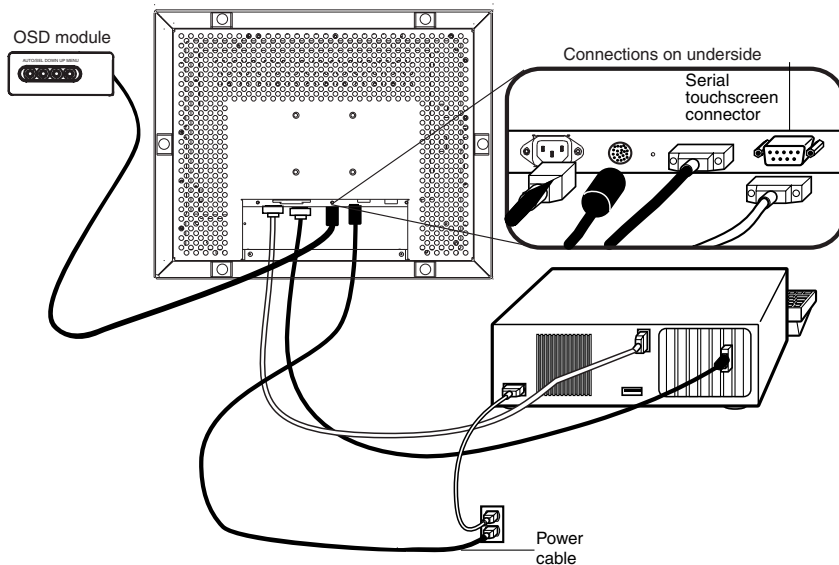
For best performance, your monitor should be operating in native resolution; that is, 1024 x 768 at 60-75 MHz. Use the Display control panel in Windows to choose 1024 x 768 resolution.

Operating in other resolutions will degrade video performance. For further information, please refer to Appendix A.

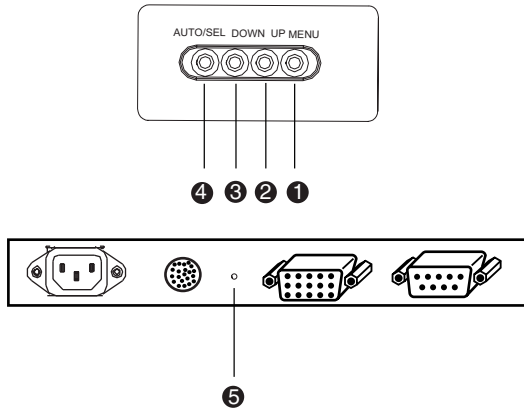
All adjustments you make to the controls are automatically memorized. This feature saves you from having to reset your choices every time you unplug or power your touchmonitor off and on. If there is a power failure your touchmonitor settings will *not* default to the factory specifications.

Connecting the OSD Module

All adjustments are made by using the remote on-screen display (OSD) module. First, connect the OSD module by inserting the corded end into the OSD module connector in the back of the monitor.

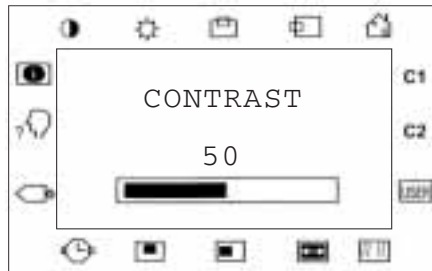



OSD Module Controls





| | Control | Function |
|---|----------------|------------------------------------------------------------------------------------------------------------------------------------------------------------------------------------------------------------------------------------------------|
| ① | MENU | Menu Display Exits the OSD menus. |
| ② | UP | Contrast/ Plus/Clockwise 1. Enter contrast of the OSD 2. Increase value of the adjustment item. 3. Select item clockwise |
| ③ | DOWN | Brightness/Minus/ Counter-Clockwise 1. Enter brightness of the OSD 2. Decrease value of the adjustment item 3. Select item counter-clockwise |
| ④ | AUTO/SEL | Auto/Select Select- To select the adjustment items from the OSD menus. Auto- To activate the "Auto Adjustment" function to obtain an optimum image. |
| ⑤ | Power Switch | Switches on/off the power of your touchmonitor. |
| | Enable/Disable | 1. Press the Menu and Up buttons at the same time and hold for two seconds to enable/disable the OSD functions. OSD menu default is enabled. 2. Press the Menu and Down buttons at the same time to enable/disable the power lock function. |


OSD Menu Function





-  **Contrast**
Controls the picture contrast


 **Brightness**
Controls the picture brightness


 **V-Position**
Controls the vertical position


 **H-Position**
Controls the horizontal position


 **Recall Defaults**
Recalls factory settings of the image parameters


 **C1/C2/USER (Color)**
Using these icons, you can select one of the preset color temperatures (9300°K or 6500°K). Confirm your choice by pressing the **SELECT** button. If you want to change the color temperatures individually, select **USER** and confirm by pressing the OSD button **SELECT**. Now you can use the OSD dial to toggle between the settings R, G and B (red, green and blue foreground). To change a setting, first press the **SELECT** button, then choose the desired value with the OSD dial. To confirm the setting, press the **SELECT** button again.


If you don't need to adjust any further settings, choose the icon to return to the OSD main menu.
-  **Phase**
Controls the vertical fine adjustment


 **Clock**
Controls the horizontal fine adjustment


 **OSD H-Position**
Adjusts the horizontal position of the OSD menu

 **OSD V-Position**
Adjust the vertical position of the OSD menu

 **OSD Time**
Determines how long (in seconds) the OSD menu waits before closing automatically after no action has been performed.

 **Auto Adjust**
Automatically selects the optional settings for image parameters (brightness, contrast, image position, phase, etc.)

 **OSD Language**
Selection of the OSD menu language: English, French, Italian, Spanish, Japanese.

 **Image Information**
Displays the current graphics mode.

TROUBLESHOOTING

If you are experiencing trouble with your touchmonitor, refer to the following table. If the problem persists, please contact your reseller or our technical support at 1-800-557-1458.

Solutions to Common Problems

| Problem | Suggestion(s) |
|-----------------------------------------------|--------------------------------------------------------------------------------------------------------------------------------------------------------------------------------------------------------------------------------------------------------------------------------------------------------------------------------------------------------------------------------------------------------------------------------------------------------------------------------------------------------------------------------------------------------|
| No image appears on screen. | <p>Check that all the I/O and power connectors are properly connected as described in Chapter 2.</p> <p>Make sure the pins of the connectors are not crooked or broken.</p> <p>Test power supply by trying different cables, or a different wall outlet or plug another appliance into the outlet.</p> <p>Make certain the video cable is properly connected and that it is not damaged. Check for bent pins on the cable connectors.</p> <p>Ensure that your computer and video card are properly configured. (Consult video card documentation.)</p> |
| Partial image or incorrectly displayed image. | <p>Check whether the resolution of your computer is higher than that of the LCD display.</p> <p>Reconfigure the resolution of your computer to make it less than or equal to 1024 x 768. See Appendix A for more information on resolution.</p> |
| Image has vertical flickering line bars. | <p>Use the Tracking function to make an adjustment.</p> <p>Check and reconfigure the display mode of the vertical refresh rate of your graphic card to make it compatible with the LCD display.</p> |

| Problem | Suggestion(s) |
|----------------------------------|--------------------------------------------------------------------------------------------------------------------------------------------------------------------------------------------------------|
| Image is unstable and flickering | Use the Tracking function to make an adjustment. |
| Image is scrolling | Make sure the VGA signal cable (or adapter) is well connected. Check and reconfigure the display mode of the vertical refresh rate of your graphic card to make it compatible with the LCD display. |
| Touch doesn't work | Make sure the touchscreen cable is securely connected at both ends. |
| Remote OSD does not work | Press the UP and Down buttons simultaneously for a few seconds to enable the function. |



NATIVE RESOLUTION

The native resolution of a monitor is the resolution at which the LCD panel is designed to perform best. In almost all cases, screen images look best when viewed at their native resolution. You can lower the resolution setting of a monitor but not increase it. For the Elo LCD touchmonitor, XGA-15 inch, the native resolution is 1024 x 768.

| Input Video | 15" LCD |
|--------------------|--------------------------------------------|
| 640 x 480 (VGA) | Transforms input format to 1024 x 768 size |
| 800 x 600 (SVGA) | Transforms input format to 1024 x 768 size |
| 1024 x 768 (XGA) | Displays in native resolution |

The native resolution of an LCD is the resolution that matches the LCD's pixels. Video performance is always best at native resolution settings. The various standard LCD resolutions are usually represented as follows:

| | |
|-------------|------------|
| VGA | 640 x 480 |
| SVGA | 800 x 600 |
| XGA | 1024 x 768 |

For example, a SVGA resolution LCD panel displays 800 pixels horizontally and 600 pixels vertically. Input video is also represented by the same terms. XGA input video has a format of 1024 pixels horizontally by 768 pixels vertically. When the input pixels contained in the video input format match the native resolution of the panel, there is a one-to-one correspondence of mapping of input video pixels to LCD pixels. For example, the pixel in 45 column and 26 row of the input video is in 45 column and 26 row of the LCD. When the input video is set at a lower resolution than the native resolution of the LCD, the direct correspondence between the video pixels and the LCD pixels is lost. The LCD controller can compute the correspondence between video pixels and LCD pixels using algorithms contained in the controller. The accuracy of the algorithms determines the fidelity of conversion of video pixels to LCD pixels. Poor fidelity conversion can result in artifacts in the LCD display, such as characters of varying width.

B

TOUCHMONITOR SAFETY

This manual contains information that is important for the proper setup and maintenance of your industrial touchmonitor. Before setting up and powering on your new touchmonitor, read through this manual, especially Chapter 2 (Installation), and Chapter 3 (Operation).

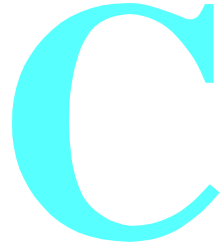
- 1** To reduce the risk of electric shock, follow all safety notices and never open the touchmonitor or brick supply case.
- 2** Turn off the product before cleaning
- 3** Your new brick supply is equipped with a 3-wire, grounding power cord. The power cord plug will only fit into a three-prong safety ground outlet. Do not attempt to fit the plug into an outlet that has not been configured for this purpose. Do not use a damaged power cord. Use only the power cord that comes with your Elo TouchSystems touchmonitor. Use of an unauthorized power cord may invalidate your warranty.
- 4** The slots located on the sides and top of the brick supply and touchmonitor case are for ventilation. Do not block or insert anything inside the ventilation slots.
- 5** It is important that the brick supply and the rear portion of your touchmonitor remain dry. Do not pour liquid into or onto your brick supply or touchmonitor. If your brick supply or touchmonitor become wet do not attempt to repair them yourself.

Care and Handling of Your Touchmonitor

The following tips will help keep your Elo Entuitive touchmonitor functioning at the optimal level.

- To avoid risk of electric shock, do not disassemble the brick supply or display unit cabinet. The unit is not user serviceable. Remember to unplug the display unit from the power outlet before cleaning.
- Do not use alcohol (methyl, ethyl or isopropyl) or any strong dissolvent. Do not use thinner or benzene, abrasive cleaners or compressed air.
- To clean the brick supply or display unit cabinet, use a cloth lightly dampened with a mild detergent.
- Avoid getting liquids inside your brick supply or touchmonitor. If liquid does get inside, have a qualified service technician check it before you power it on again.
- Do not wipe the screen with a cloth or sponge that could scratch the surface.
- To clean the touchscreen, use window or glass cleaner. Put the cleaner on the rag and wipe the touchscreen. *Never* apply the cleaner directly on the touchscreen.





TECHNICAL SPECIFICATIONS

Compatibility Modes

Your Elo Entuitive touchmonitor is compatible with the following standard video modes. All specifications are typical and subject to change.

| Mode | Resolution | H. Frequency (kHz) | V. Frequency (Hz) |
|------------------------|------------|--------------------|-------------------|
| IBM & VESA VGA | 640 x 350 | 31.47 | 70.09 |
| IBM & VESA VGA | 640 x 400 | 31.47 | 70.09 |
| IBM & VESA VGA | 720 x 400 | 31.47 | 70.09 |
| IBM & VESA VGA | 640 x 480 | 31.47 | 59.94 |
| IBM & VESA VGA | 640 x 480 | 37.86 | 72.81 |
| IBM & VESA VGA | 640 x 480 | 37.50 | 75.00 |
| VESA VGA | 800 x 600 | 35.16 | 56.25 |
| VESA VGA | 800 x 600 | 37.88 | 60.32 |
| VESA VGA | 800 x 600 | 48.08 | 72.19 |
| VESA VGA | 800 x 600 | 46.88 | 75.00 |
| VESA VGA | 800 x 600 | 48.36 | 60.00 |
| VESA VGA | 800 x 600 | 56.48 | 70.07 |
| VESA VGA | 800 x 600 | 60.02 | 75.03 |
| Apple Macintosh LC 13" | 640 x 480 | 34.97 | 66.61 |
| Apple Macintosh II 13" | 640 x 480 | 35.00 | 66.67 |
| Apple Macintosh 16" | 832 x 624 | 49.73 | 74.55 |
| Apple Macintosh 19" | 1024 x 768 | 60.24 | 75.02 |
| NEC FC-98 series | 640 x 400 | 24.83 | 56.42 |
| NEC FC-98 series | 640 x 400 | 31.47 | 70.01 |
| NEC FC-98 series | 640 x 480 | 31.47 | 59.94 |

Touchmonitor Specifications

15" LCD Touchmonitor (ET1566L) Specifications

| | | |
|------------------------------|-------------------------------------------------------------------|-----------------------------------------------------------------------------------------------------------------------------|
| Display Type | Active matrix, thin film transistor (TFT), liquid crystal display | |
| Size | 15-inch diagonal 304 x 228 mm useful screen area | |
| Pixel Format | 1024 x 768 | |
| Touchscreen | Five-wire resistive technology | |
| Colors | 16 million with dithering | |
| Display Brightness | AccuTouch: 255 cd/m ² typical. | |
| Back-light Lamp Life | 40,000 hours at full brightness typical | |
| Viewing Angle | Horizontal | -75~75 or 150 degrees total |
| | Vertical | 70~60 or 130 degrees total |
| Contrast Ratio | 450:1 typical | |
| Display Response Time | 13 ms(tr)/27 ms(tr) | |
| Environmental | Operating Temp | 0°C to 50°C |
| | Storage Temp | -30°C to +60°C |
| | Humidity | 80% non-condensing |
| Mechanical | Weight | 30 lbs. maximum approx. weight |
| | Size | See drawings on page 28. |
| Materials | Front bezel | 5052H32 aluminum (3/16") powder coat |
| | Back cover | cold roll steel zinc plated |
| Electrical | Input Video | VGA/SVGA/XGA analog video |
| | Input Power | 100-240 VAC, 50/60 Hz. |
| | Power Dissipation | Universal |
| Agencies | Safety & EMC | UL*, cUL*, TÜV-Bauart, FCC-B, CE-B, C-Tick, VCCI Certified by UL to NEMA 4, 4x & 12 as a Recognized Component (AT only). |

* ITE Recognized Component

AccuTouch Touchscreen Specifications

Mechanical

| | |
|---------------------------|---------------------------------------------------------------------------------------------------------------------------------------------------------|
| Positional Accuracy | Standard deviation of error is less than 0.080 in. (2.03 mm). Equates to less than $\pm 1\%$. |
| Touchpoint Density | More than 100,000 touchpoints/in ² (15,500 touchpoints/cm ²). |
| Touch Activation Force | Typically less than 4 ounces (113 grams). |
| Surface Durability | Surface durability is that of glass, Mohs' hardness rating of 7. |
| Expected Life Performance | AccuTouch technology has been operationally tested to more than 35 million touches in one location without failure, using a stylus similar to a finger. |
| Sealing | Unit is certified by UL to NEMA 4, 4x & 12 as a required component. |

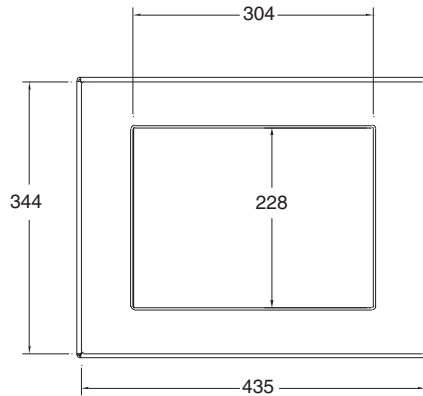
Optical

| | |
|------------------------------------------------------|-----------------------------------------------------------------------------------------------------------------------------------------------------------------------------------------------------------|
| Visual Resolution | All measurements made using USAF 1951 Resolution Chart, under 30X magnification, with test unit located approximately 1.5 in (38 mm) from surface of resolution chart. Antiglare surface: 6:1 minimum. |
| Gloss (per ASTM D2457 using a 60-degree gloss meter) | Antiglare surface: Curved: 60 ± 20 gloss units or 75 ± 15 gloss units. |

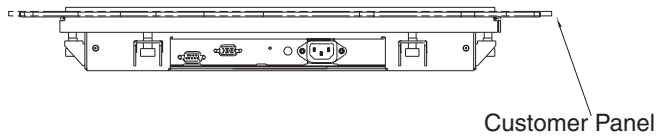
Environmental

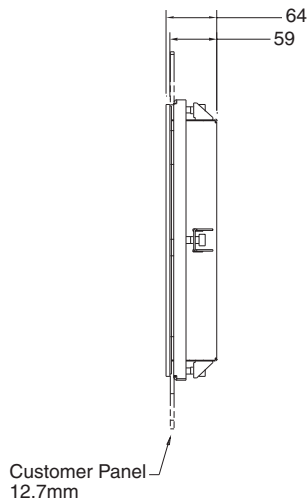
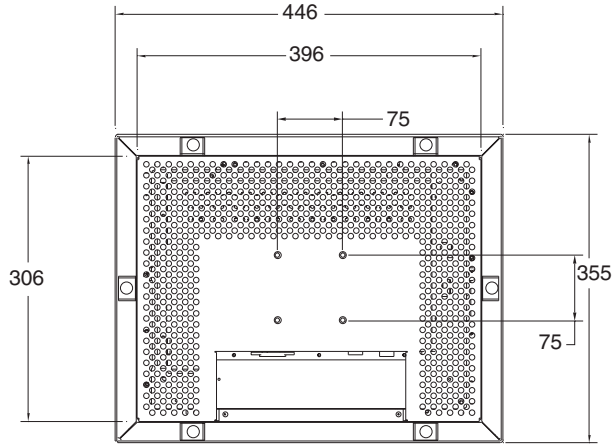
| | |
|----------------------------------------------|------------------------------------------------------------------------------------------------------------------------------------------------------------------------------------------------------------------------------------------------------------------------------------------------------------------------------------------------------------|
| Chemical Resistance | The active area of the touchscreen is resistant to all chemicals that do not affect glass, such as: Acetone Methylene chloride Methyl ethyl ketone Isopropyl alcohol Hexane Turpentine Mineral spirits Unleaded Gasoline Diesel Fuel Motor Oil Transmission Fluid Antifreeze Ammonia based glass cleaner Vinegar |
| Electrostatic Protection (per EN 61 000-4-2) | The touchscreen withstands 20 discharges of 15KV, distributed randomly across the active area of the touchscreen with proper transient protection. |

15" LCD Panel Mount Touchmonitor (ET1566L-7SWC-1) Dimensions



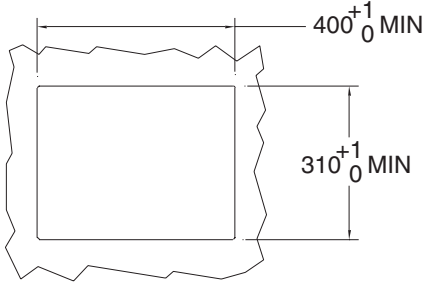
For cutout dimensions, see page 30.





NOTE: Dimensions in millimeters (inches)

Panel Cutout



Maximum panel thickness 13mm (0.5")

REGULATORY INFORMATION

I. Electrical Safety Information:

A) Compliance is required with respect to the voltage, frequency, and current requirements indicated on the manufacturer's label. Connection to a different power source than those specified herein will likely result in improper operation, damage to the equipment or pose a fire hazard if the limitations are not followed.

B) There are no operator serviceable parts inside this equipment. There are hazardous voltages generated by this equipment which constitute a safety hazard. Service should be provided only by a qualified service technician.

C) This equipment is provided with a detachable power cord which has an integral safety ground wire and 3-prong connector intended for connection to a grounded safety outlet.

1) Do not substitute the cord with other than the provided approved type. Under no circumstances use an adapter plug to connect to a 2-wire outlet as this will defeat the continuity of the grounding wire.

2) The equipment requires the use of the ground wire as a part of the safety certification, modification or misuse can provide a shock hazard that can result in serious injury or death.

3) Contact a qualified electrician or the manufacturer if there are questions about the installation prior to connecting the equipment to mains power.

II. Emissions and Immunity Information

A) Notice to Users in the United States: This equipment has been tested and found to comply with the limits for a Class B digital device, pursuant to Part 15 of FCC Rules. These limits are designed to provide reasonable protection against harmful interference in a residential installation. This equipment generates, uses, and can radiate radio frequency energy, and if not installed and used in accordance with the instructions, may cause harmful interference to radio communications.

B) Notice to Users in Canada: This equipment complies with the Class B limits for radio noise emissions from digital apparatus as established by the Radio Interference Regulations of Industrie Canada.

C) Notice to Users in the European Union: Use only the provided power cords and interconnecting cabling provided with the equipment. Substitution of provided cords and cabling may compromise electrical safety or CE Mark Certification for emissions or immunity as required by the following standards:

This Information Technology Equipment (ITE) is required to have a CE Mark on the manufacturer's label which means that the equipment has been tested to the following Directives and Standards:

This equipment has been tested to the requirements for the CE Mark as required by EMC Directive 89/336/EEC indicated in European Standard EN 55 022 Class B and the Low Voltage Directive 73/23/EEC as indicated in European Standard EN 60 950.

D) General Information to all Users: This equipment generates, uses and can radiate radio frequency energy. If not installed and used according to this manual the equipment may cause interference with radio and television communications. There is, however, no guarantee that interference will not occur in any particular installation due to site-specific factors.

1) In order to meet emission and immunity requirements, the user must observe the following:

- a) Use only the provided I/O cables to connect this digital device with any computer.
- b) To ensure compliance, use only the provided manufacturer's approved line cord.
- c) The user is cautioned that changes or modifications to the equipment not expressly approved by the party responsible for compliance could void the user's authority to operate the equipment.

2) If this equipment appears to cause interference with radio or television reception, or any other device:

- a) Verify as an emission source by turning the equipment off and on.
- b) If you determine that this equipment is causing the interference, try to correct the interference by using one or more of the following measures:
 - i) Move the digital device away from the affected receiver.
 - ii) Reposition (turn) the digital device with respect to the affected receiver.
 - iii) Reorient the affected receiver's antenna.
 - iv) Plug the digital device into a different AC outlet so the digital device and the receiver are on different branch circuits.
 - v) Disconnect and remove any I/O cables that the digital device does not use. (Unterminated I/O cables are a potential source of high RF emission levels.)
 - vi) Plug the digital device into only a grounded outlet receptacle. Do not use AC adapter plugs. (Removing or cutting the line cord ground may increase RF emission levels and may also present a lethal shock hazard to the user.)

If you need additional help, consult your dealer, manufacturer, or an experienced radio or television technician.



N10051



FC Tested To Comply
With FCC Standards
FOR HOME OR OFFICE USE

WARRANTY

Except as otherwise stated herein or in an order acknowledgment delivered to Buyer, Seller warrants to Buyer that the Product shall be free of defects in materials and workmanship. With the exception of negotiated warranty periods; the warranty for the touchmonitor and components of the product is 3 years.

Seller makes no warranty regarding the model life of components. Seller's suppliers may at any time and from time to time make changes in the components delivered as Products or components.

Buyer shall notify Seller in writing promptly (and in no case later than thirty (30) days after discovery) of the failure of any Product to conform to the warranty set forth above; shall describe in commercially reasonable detail in such notice the symptoms associated with such failure; and shall provide to Seller the opportunity to inspect such Products as installed, if possible. The notice must be received by Seller during the Warranty Period for such product, unless otherwise directed in writing by the Seller. Within thirty (30) days after submitting such notice, Buyer shall package the allegedly defective Product in its original shipping carton(s) or a functional equivalent and shall ship to Seller at Buyer's expense and risk.

Within a reasonable time after receipt of the allegedly defective Product and verification by Seller that the Product fails to meet the warranty set forth above, Seller shall correct such failure by, at Seller's options, either (i) modifying or repairing the Product or (ii) replacing the Product. Such modification, repair, or replacement and the return shipment of the Product with minimum insurance to Buyer shall be at Seller's expense. Buyer shall bear the risk of loss or damage in transit, and may insure the Product. Buyer shall reimburse Seller for transportation cost incurred for Product returned but not found by Seller to be defective. Modification or repair, of Products may, at Seller's option, take place either at Seller's facilities or at Buyer's premises. If Seller is unable to modify, repair, or replace a Product to conform to the warranty set forth above, then Seller shall, at Seller's option, either refund to Buyer or credit to Buyer's account the purchase price of the Product less depreciation calculated on a straight-line basis over Seller's stated Warranty Period.

THESE REMEDIES SHALL BE THE BUYER'S EXCLUSIVE REMEDIES FOR BREACH OF WARRANTY. EXCEPT FOR THE EXPRESS WARRANTY SET FORTH ABOVE, SELLER GRANTS NO OTHER WARRANTIES, EXPRESS OR IMPLIED BY STATUTE OR OTHERWISE, REGARDING THE PRODUCTS, THEIR FITNESS FOR ANY PURPOSE, THEIR QUALITY, THEIR MERCHANTABILITY, THEIR NONINFRINGEMENT, OR OTHERWISE. NO EMPLOYEE OF SELLER OR ANY OTHER PARTY IS AUTHORIZED TO MAKE ANY WARRANTY FOR THE GOODS OTHER THAN THE WARRANTY SET FORTH HEREIN. SELLER'S LIABILITY UNDER THE WARRANTY SHALL BE LIMITED TO A REFUND OF THE PURCHASE PRICE OF THE PRODUCT. IN NO EVENT SHALL SELLER BE LIABLE FOR THE COST OF PROCUREMENT OR INSTALLATION OF SUBSTITUTE GOODS BY BUYER OR FOR ANY SPECIAL, CONSEQUENTIAL, INDIRECT, OR INCIDENTAL DAMAGES.

Buyer assumes the risk and agrees to indemnify Seller against and hold Seller harmless from all liability relating to (i) assessing the suitability for Buyer's intended use of the Products and of any system design or drawing and (ii) determining the compliance of Buyer's use of the Products with applicable laws, regulations, codes, and standards. Buyer retains and accepts full responsibility for all warranty and other claims relating to or arising from Buyer's products, which include or incorporate Products or components manufactured or supplied by Seller. Buyer is solely responsible for any and all representations and warranties regarding the Products made or authorized by Buyer. Buyer will indemnify Seller and hold Seller harmless from any liability, claims, loss, cost, or expenses (including reasonable attorney's fees) attributable to Buyer's products or representations or warranties concerning same.

Index

Numerics

- 15" LCD Panel Mount Touchmonitor (ET1566L-7SWC-1)
 - Dimensions, 28
- 15" LCD Touchmonitor (ET1566) Specifications, 26

A

- About the Product, 1
- About Touchmonitor Adjustments, 15
- AccuTouch Touchmonitor Specifications, 27
- Auto Adjust, 18

B

- Bottom View, 6
- Brightness, 18

C

- C1/C2/USER (Color), 18
- Care and Handling of Your Touchmonitor, 24
- Clock, 18
- Compatibility Modes, 25
- Connecting the OSD Module, 16
- Connecting the Power Cable, 11
- Connecting the Serial Touchscreen Cable, 10
- Connecting the Video Cable, 9
- Connecting Your Touchmonitor, 8
- Contrast, 18

E

- Electrical Safety Information, 31
- Emissions and Immunity Information, 31

H

- H-Position, 18

I

- Image Information, 18
- Installation and Setup, 3
- Installing the Driver Software, 12
- Installing the Serial Touch Driver for MS-DOS and Windows 3.1, 14
- Installing the Serial Touch Driver for Windows XP, Windows 2000, Me, 95/98 and NT 4.0, 13
- Introduction, 1

M

- Main Unit, 5
- Mounting Your Touchmonitor, 7

N

- Native Resolution, 21

O

- Operation, 15
- Optimizing the LCD Display, 11
- OSD H-Position, 18
- OSD Language, 18
- OSD Menu Function, 18
- OSD Module Controls, 17
- OSD Time, 18
- OSD V-Position, 18

P

- Panel Cutout, 30
- Phase, 18
- Precautions, 1
- Product Overview, 5

R

- Rear View, 5
- Recall Defaults, 18
- Regulatory Information, 31
- Remote OSD with Cable Attachment, 6

S

- Solutions to Common Problems, 19

T

- Technical Specifications, 25
- Touchmonitor Safety, 23
- Touchmonitor Specifications, 26
- Troubleshooting, 19

U

- Unpacking Your Panel Mount Touchmonitor, 4

V

- V-Position, 18

W

Warranty, 35

Windows 3.1, 14

Check out Elo's Web site!

www.elotouch.com

Get the latest...

- **Product information**

 - **Specifications**

 - **News on upcoming events**

 - **Press releases**

 - **Software drivers**
-

Getting in Touch with Elo

To find out more about Elo's extensive range of touch solutions, visit our Web site at www.elotouch.com or simply call the office nearest you:

USA & Headquarters

Elo TouchSystems, Inc.
5800 Kaiser Drive
Fremont, CA 94555-3613

(800) ELO-TOUCH (800-266-8882)
Tel: 510-239-5018
Fax: 510-790-0827
elo@elotouch.com

Germany

Elo TouchSystems GmbH & Co. KG
Hartgraben 8
D-85521 Ottersweier
Germany

Tel: +49 (0)9160822-0
Fax: +49(0)9160822-150
elo@elotouch.com

Belgium

Elo TouchSystems
Diestsesteenweg 682
B-3010 Kessel-Lo
Belgium

Tel: +32 (16) 35-2100
Fax: +32 (16) 35-2101
elotouch@elotouch.com

Japan

Touch Panel Systems K.K.
Sun Plaza Bldg. 2F
1-18-20 Shin-Yokohama
Kohshuku, Yokohama
Kanagawa 222-0033
Japan

Tel: +81 (45) 478-2161
Fax: +81 (45) 478-2180
www.tps.co.jp

tyco

Electronics

