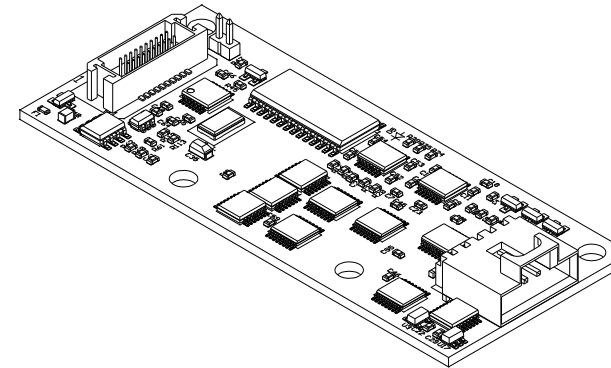
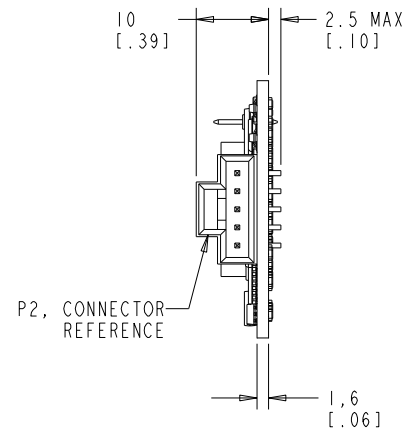
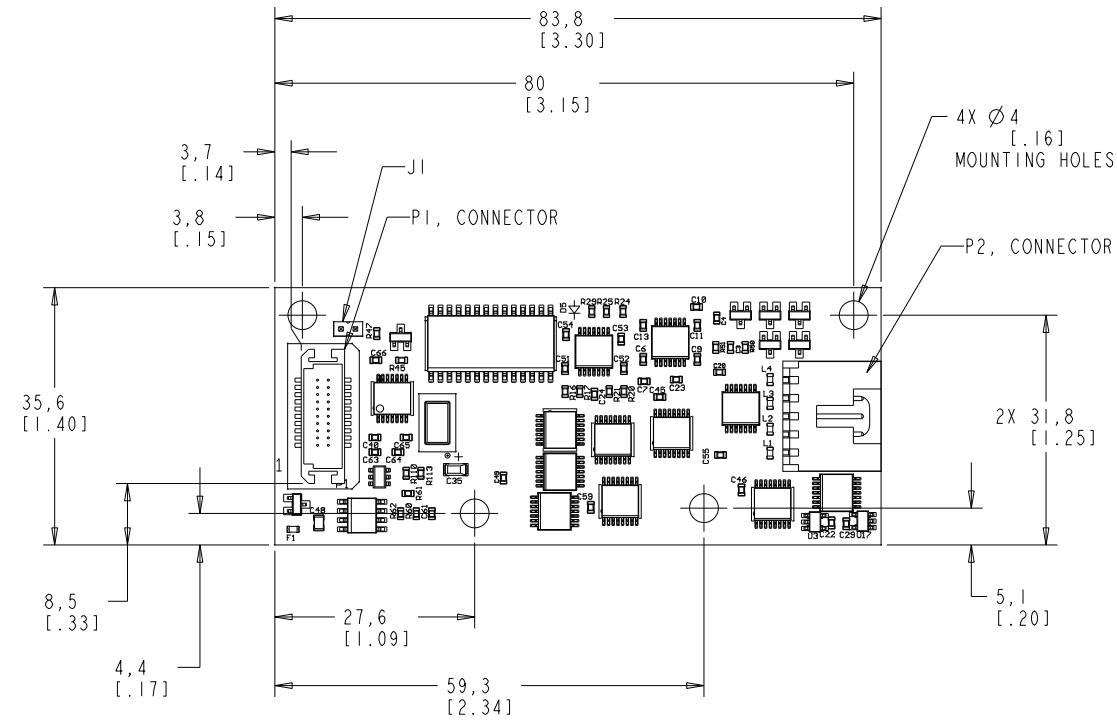


PROPRIETARY TO ELO TOUCHSYSTEMS, INC. AND SHALL NOT BE DISCLOSED OTHER THAN TO NECESSARY EMPLOYEES OR SUPPLIERS WITHOUT THE EXPRESS WRITTEN CONSENT OF ELO TOUCHSYSTEMS, INC.

# ELO TOUCHSCREEN CONTROLLER

CTR-502000-SC-RSU-00R

REVISIONS					
REV	ZONE	BY	DESCRIPTION	DATE	APPROVED
A	--	HAG	RELEASED PER ECO-07-008963	04.18.07	CCB



## POWER/INTERFACE CONNECTOR P1 PIN NUMBERS AND SIGNAL NAMES, PIN OUT INFORMATION

P1 PIN	SIGNAL NAME	SIGNAL FUNCTION
1	VBUS	USB POWER
2	USB GND	SUPPLY COMMON FROM USB
3	D-	USB D-
4	D+	USB D+
5	Vcc	+5V POWER
6	GND	SYSTEM GROUND
7	SDA	I2C DATA
8	NOT USED	
9	LEDN	LED OUT
10	RSTN	RESET INPUT
11	DCD	SERIAL PORT
12	DSR	DSR
13	RxD	SERIAL PORT
14	RTS	SERIAL PORT
15	TxD	TxD
16	CTS	SERIAL PORT
17	DTR	DTR
18	SCL	I2C CLOCK
19	SG	SERIAL PORT CIRCUIT COMMON
20	+12V	+12V POWER

### JUMPER J1 FUNCTION

SHUNT INSTALLED	NVRAM RESET TO DEFAULT
-----------------	------------------------

### CONNECTOR P2 PIN OUT INFORMATION

SIGNAL NAME	P1 PIN	SIGNAL FUNCTION
LR	1	LOWER RIGHT CONNECTION
LL	2	LOWER LEFT CONNECTION
S	3	SHIELD
UL	4	UPPER LEFT CONNECTION
UR	5	UPPER RIGHT CONNECTION

### USB INTERFACE ON CONNECTOR P1, PINS AND SIGNAL NAMES PIN OUT INFORMATION

SIGNAL NAME	USB (SERIES A AND B) PIN	P1 PIN	SIGNAL FUNCTION
VBUS	1	1	USB POWER
D-	2	3	USB D-
D+	3	4	USB D+
GND	4	2	USB GROUND

### SERIAL INTERFACE ON CONNECTOR P1 PIN OUT INFORMATION

SIGNAL NAME	P1 PIN	SOURCED BY	SIGNAL FUNCTION
DCD	11	ctrl	carrier detect , handshake = 0 (POSITIVE) when controller power on
DSR	12	ctrl	data set ready , handshake = 0 (POSITIVE) when controller power on
RxD	13	ctrl	serial data from controller to host
RTS	14	host	request to send , handshake = 0 (POSITIVE) when controller may send
TxD	15	host	serial data from host to controller
CTS	16	ctrl	used as ready to receive , handshake = 0 (POSITIVE) when host may send
DTR	17	host	data terminal ready , handshake = 0 (POSITIVE) when controller may send
RI	-	n/u	not used
SG	19	com	signal ground

PIP NUMBER	DESCRIPTION
E731406	CTR-502000-SC-RSU-00R
E629210	CTR-502000-SC-RSU-01R

ITEM NO.	QTY REQ'D	DRAWING OR PART NO.	DESCRIPTION	MATERIAL SPECIFICATION
PARTS LIST				
PART. NO. <b>SEE P/N TABLE</b>		UNLESS OTHERWISE SPECIFIED ALL DIMENSIONS ARE IN MILLIMETERS		DRAWN A.GRICE CHECK DATE
<b>METRIC</b>		TOLERANCES ARE: DECIMALS ±1/2 * X : ± 0.50 Y : ± 0.25 XX: ± 0.13		
DO NOT SCALE DRAWING		THIRD ANGLE PROJECTION		DATE 01.25.07
Title <b>MKTG DWG, CTR-502000-SC-RSU-00R</b>		Elo TOUCHSYSTEMS		REV <b>A</b>
SIZE D	SCALE 2.000	SHEET 1 OF 1	DWG. NO. <b>MS600483</b>	REV <b>A</b>

SH. 1 OF 1 REV A