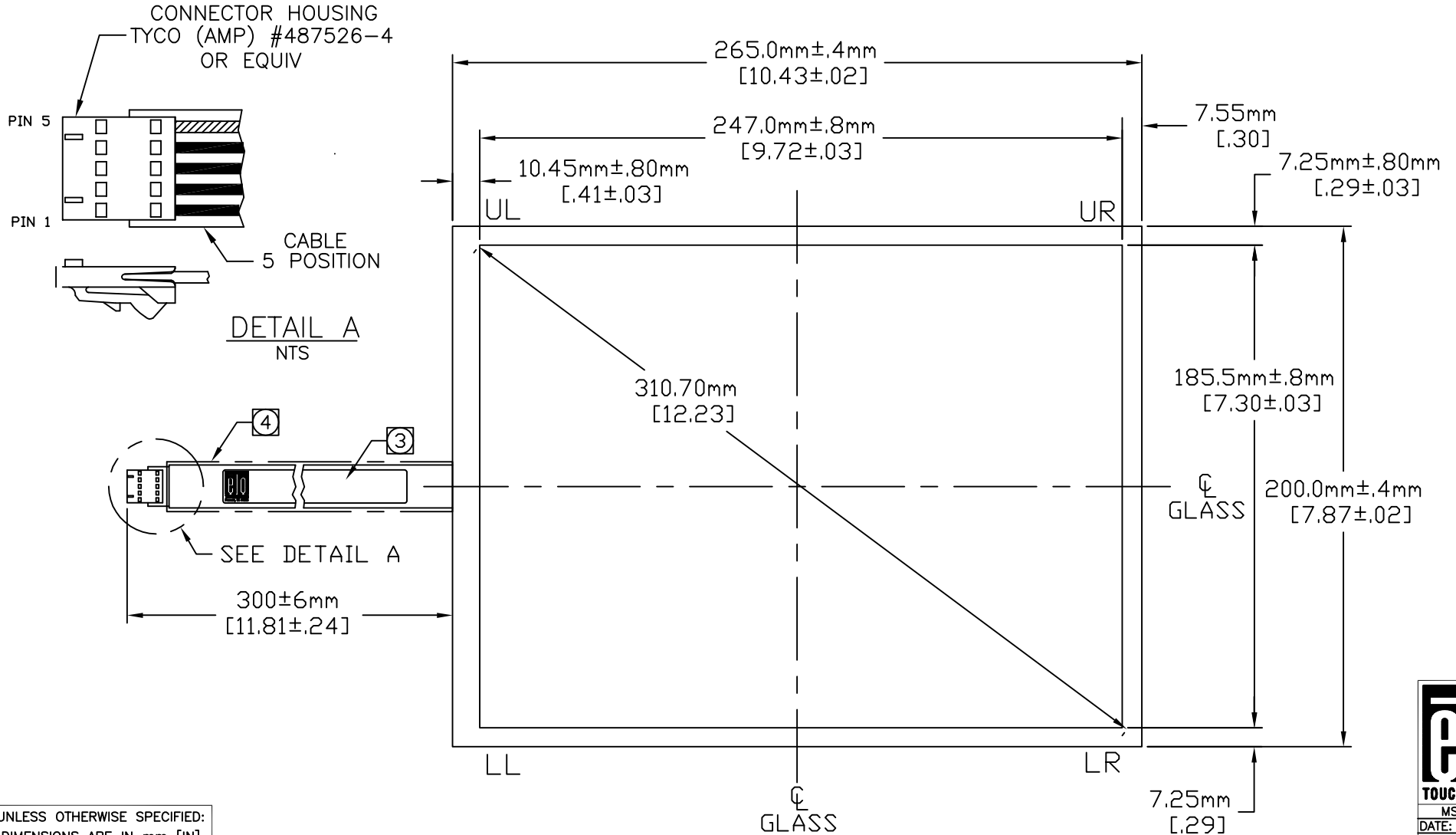


CONNECTOR PINOUT	
PIN NO.	DESIGNATION
5	UR
4	UL
3	SHIELD
2	LL
1	LR

SURFACE CAPACITIVE TOUCHSCREEN
 SCN-SC-FLT12.1-002-004-R
 ELO P/N: E718507

NOTES:

- GLASS THICKNESS: 3.2±0.3mm [0.125±0.012"].
- FINISHED PART THICKNESS AT THE CABLE ATTACH AREA: 4.3mm [0.17"].
- THE LABEL IS ATTACHED TO THE FRONT SIDE OF THE CABLE.
- FLUOROPOLYMER TUBING FOR INCREASED ISOLATION.
- ALL DIMENSIONS ARE IN MILLIMETERS [INCHES].



UNLESS OTHERWISE SPECIFIED:
 DIMENSIONS ARE IN mm [IN]

