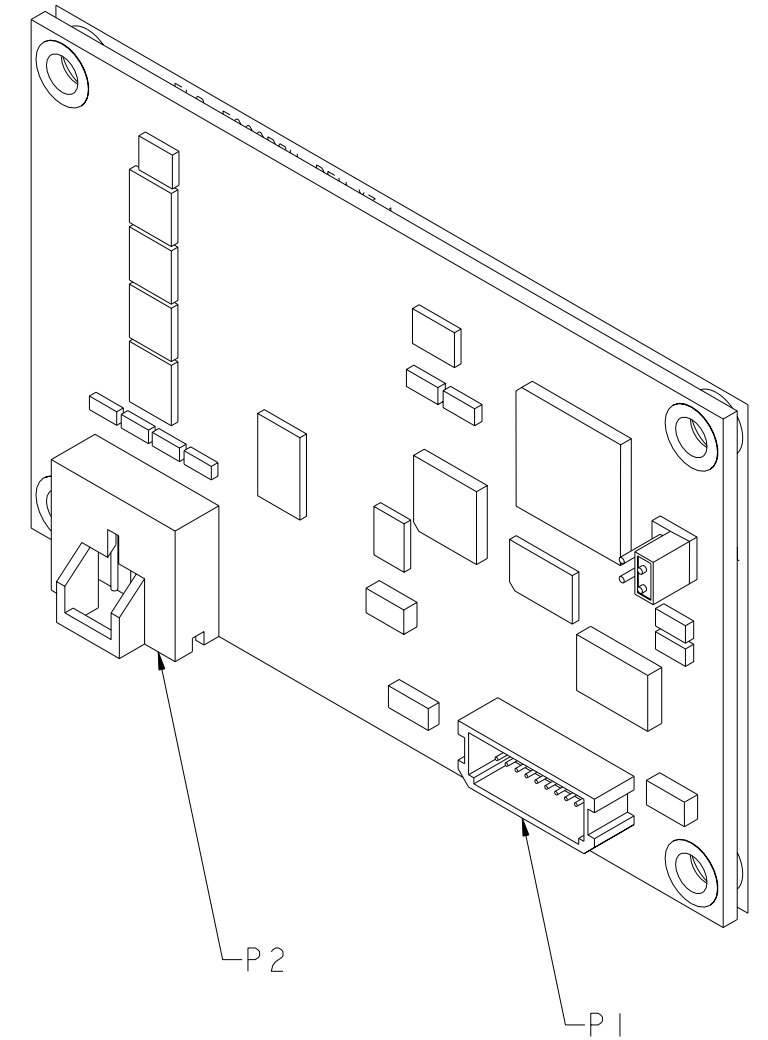
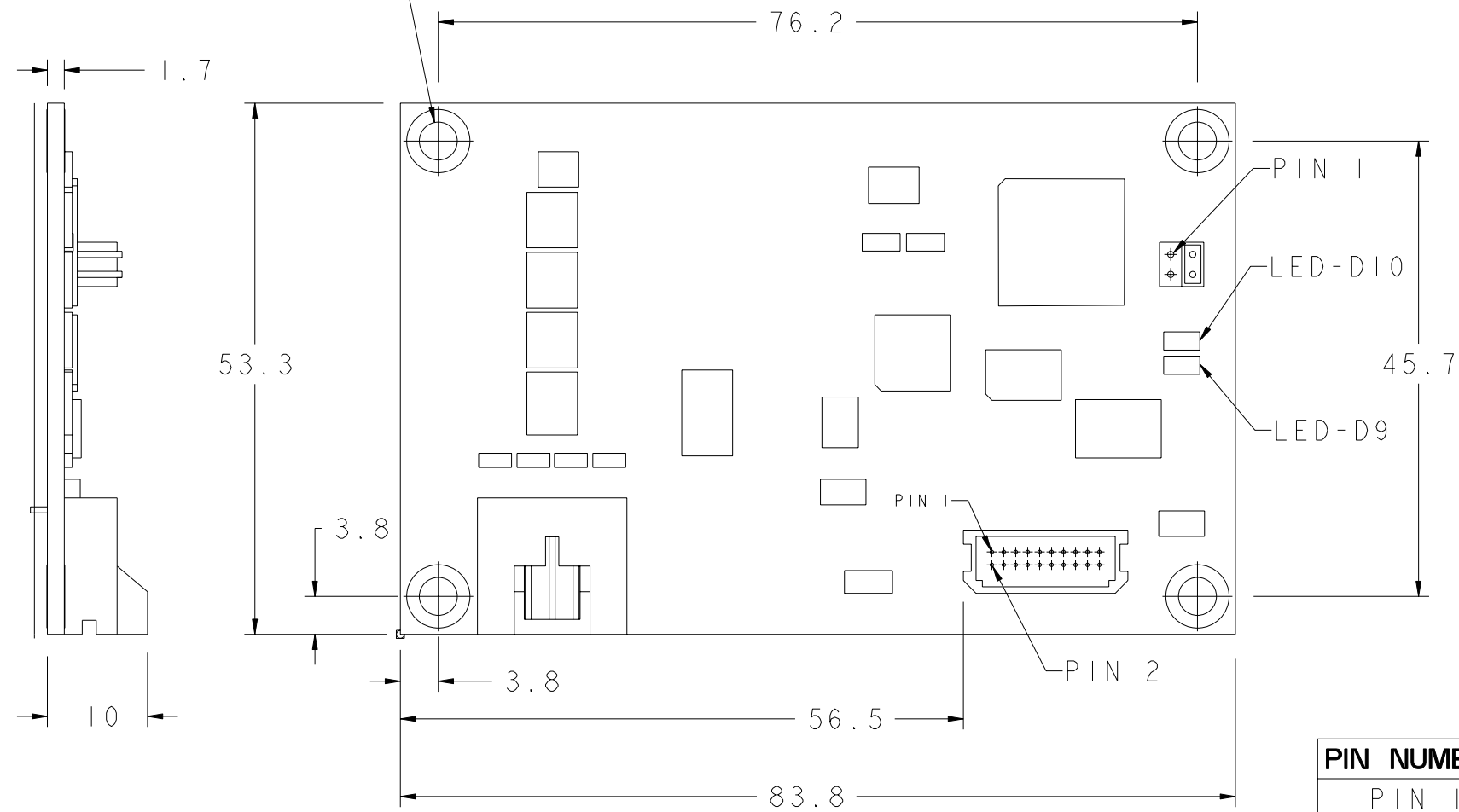


**CTR-500000-SC-RSU-00
MARKETING MECHANICAL
DRAWING**

4X Ø 3.8
MOUNTING HOLE.
CONNECT AT LEAST
ONE MOUNTING HOLE
TO CHASSIS GROUND



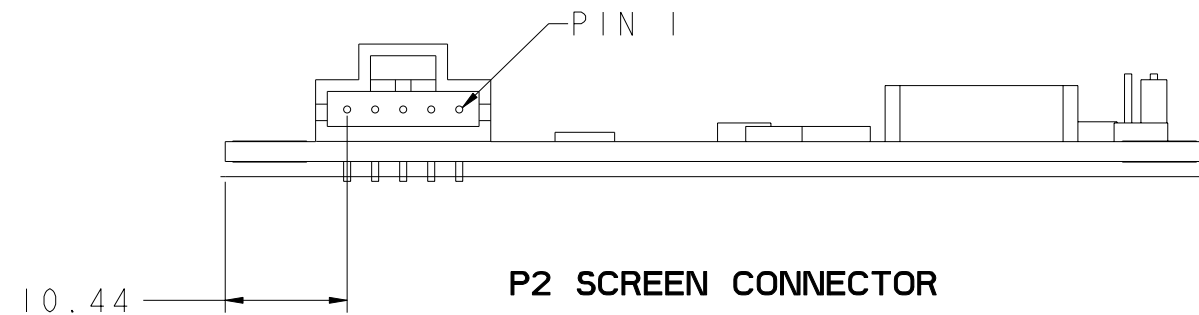
P1 POWER & DATA CONNECTOR

PIN NUMBER	DESCRIPTION	PIN NUMBER	DESCRIPTION
PIN 1	USB-VBUS	PIN 11	RS232 - DCD
PIN 2	USB-GND	PIN 12	RS232 - DSR
PIN 3	USB - D-	PIN 13	RS232 - RXD
PIN 4	USB - D+	PIN 14	RS232 - RTS
PIN 5*	POWER +5V	PIN 15	RS232 - TXD
PIN 6	POWER GND	PIN 16	RS232 - CTS
PIN 7	I ² C - SDA	PIN 17	RS232 - DTR
PIN 8	NOT USED	PIN 18	I ² C - SCL
PIN 9	OUTPUT - LED#	PIN 19	POWER GND RS232
PIN 10	INPUT - RESET#	PIN 20*	POWER +12V

NOTE:

* CONNECT +5V OR +12V POWER
AT A TIME, BUT NEVER BOTH.

3D FILES AVAILABLE UPON REQUEST



P2 SCREEN CONNECTOR

PIN NUMBER	DESCRIPTION
PIN 1	CIRCUIT LR
PIN 2	CIRCUIT LL
PIN 3	SHIELD
PIN 4	CIRCUIT UL
PIN 5	CIRCUIT UR

DIMENSIONS ARE IN MILLIMETERS

**SHT. 1 OF 1
SCALE: 3:1**

