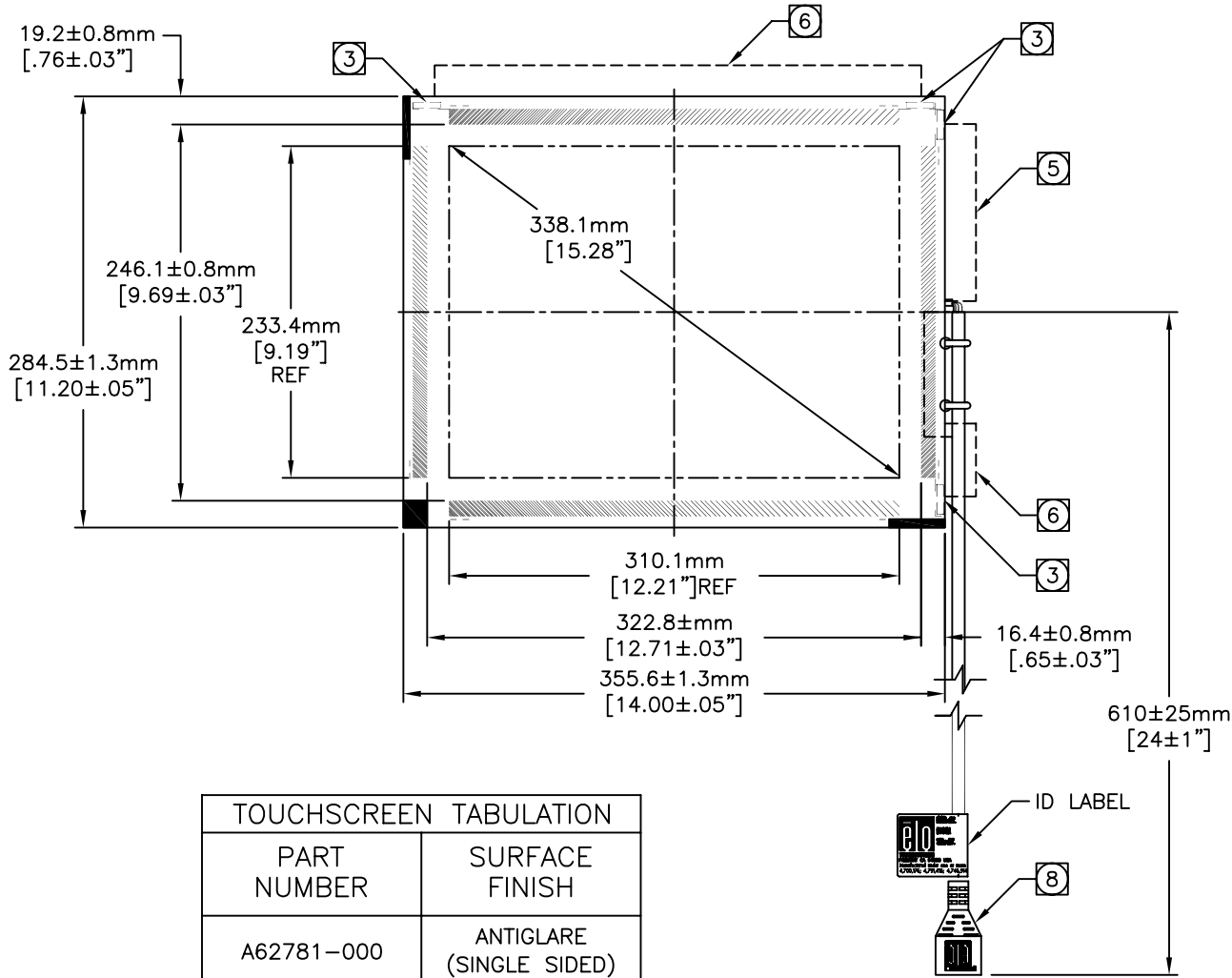


INTELLITOUCH® TOUCHSCREEN  
SCN-ST-FLT15.0-009-003



NOTES:

1. ALL DIMENSIONS ARE IN MILLIMETERS AND INCHES.
2. GLASS THICKNESS: 5.6±0.3MM [.22±.012"] NOMINAL.
3. TRANSDUCERS ARE LOCATED AT THE POSITIONS SHOWN. TRANSDUCER HEIGHT ABOVE GLASS: 3.8mm [.15"] MAX.
4. NO MATERIAL EXTENDS MORE THAN 0.8mm/.030" BEYOND THE BACK SURFACE OF THE GLASS.
5. CABLE ROUTING ADDS 3.8mm/.15" MAX TO INDICATED SECTION.
6. CABLE ROUTING ADDS 2.5mm/.10" MAX TO INDICATED SECTION.
7. BERG 65043-031, 2x6 HOUSING WITH BERG 48239-000 RECEPTACLES, DIRECTLY MATES WITH ANY OF THE FOLLOWING:  
-INTELLITOUCH SERIAL CONTROL BOARD  
-012226 CABLE (2x6 TO 8" DB9 BULKHEAD)
8. THE TOUCH ACTIVE AREA IS LESS THAN THE VIEWABLE AREA TO FACILITATE SEALING.

PIN	SIGNAL	INSULATION COLOR	JACKET COLOR
1	GROUND	OVERALL SHIELD	
2	KEY		
3	Y RECEIVE (+)	BLU	BLK
4	Y TRANSMIT (+)	BLU	GRY
5	Y RECEIVE (-)	BLK	BLK
6	Y TRANSMIT (-)	YEL	GRY
7	GROUND	INNER SHIELD	
8	X TRANSMIT (-)	RED	RED
9	X RECEIVE (-)	RED	BLK
10	X TRANSMIT (+)	GRN	RED
11	X RECEIVE (+)	WHT	BLK
12	KEY		