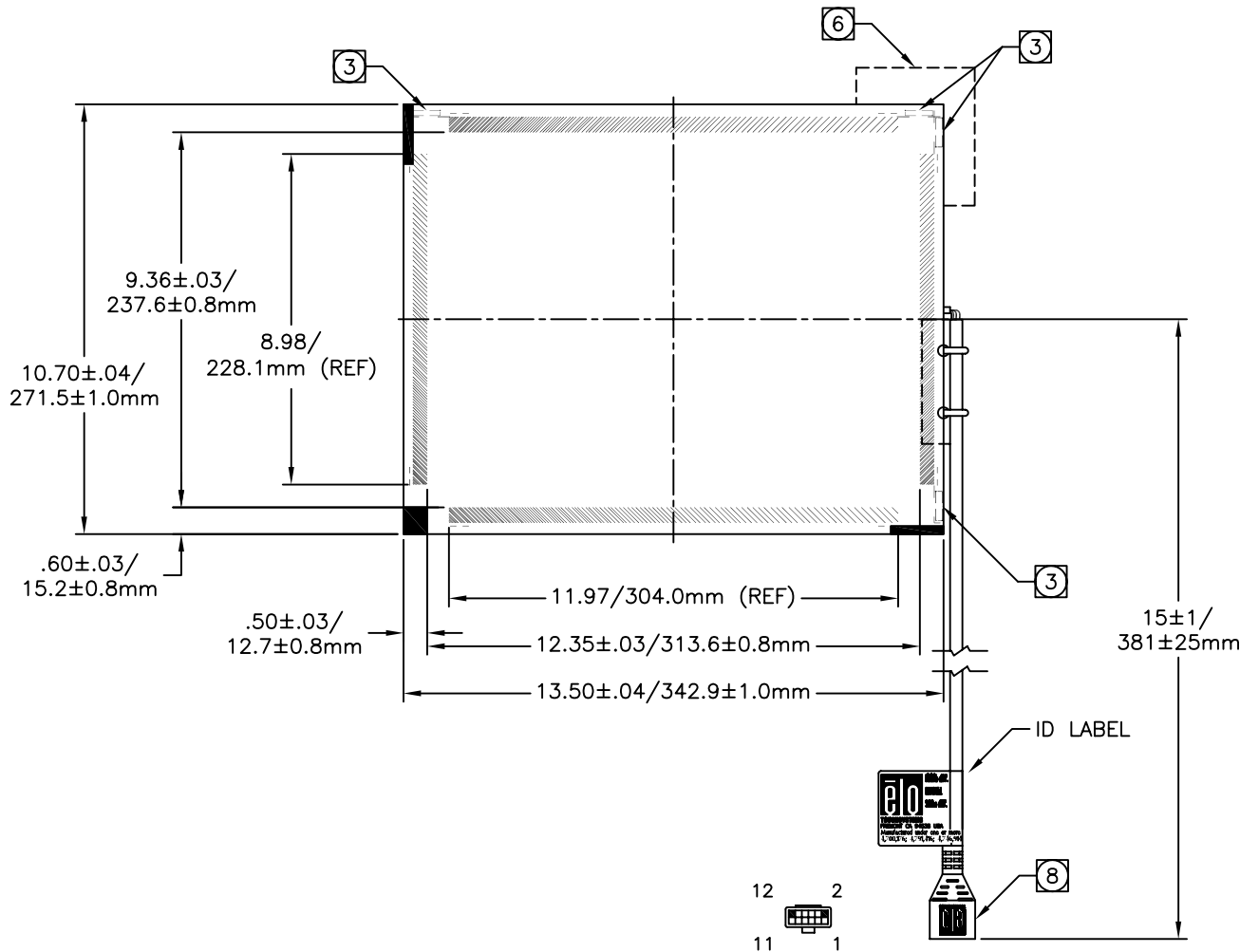


INTELLITOUCH® TOUCHSCREEN
SCN-ST-FLT15.0-008-00X



NOTES:

- ALL DIMENSIONS ARE IN INCHES AND MILLIMETERS.
- GLASS THICKNESS: 0.22 ± 0.012" [5.6 ± 0.3mm].
- TRANSDUCERS ARE LOCATED AT THE POSITIONS SHOWN.
- HEIGHT OF TRANSDUCERS ABOVE GLASS SURFACE = 0.125" [3.2mm] MAXIMUM.
- WIRES TO BE ROUTED ON TOP SURFACE OF THE GLASS ALONG THE EDGE.
- CABLE ROUTING ADDS 0.10" / 2.5mm MAX TO INDICATED SECTION.
- NO MATERIAL EXTENDS MORE THAN .030 / .8mm BEYOND THE BACK SURFACE OF THE GLASS.
- BERG 65043-031, 2x6 HOUSING WITH BERG 48239-000 RECEPTACLES, DIRECTLY MATES WITH ANY OF THE FOLLOWING:
 - INTELLITOUCH SERIAL CONTROL BOARD
 - 012226 CABLE (2x6 TO 8" DB9 BULKHEAD)
- THE TOUCH ACTIVE AREA IS LESS THAN THE VIEWABLE AREA TO FACILITATE SEALING.

CONNECTION CHART

PIN	SIGNAL	INSULATION COLOR	JACKET COLOR
1	GROUND	OVERALL SHIELD	
2	KEY		
3	Y RECEIVE (+)	BLU	BLK
4	Y TRANSMIT (+)	BLU	GRY
5	Y RECEIVE (-)	BLK	BLK
6	Y TRANSMIT (-)	YEL	GRY
7	GROUND	INNER SHIELD	
8	X TRANSMIT (-)	RED	RED
9	X RECEIVE (-)	RED	BLK
10	X TRANSMIT (+)	GRN	RED
11	X RECEIVE (+)	WHT	BLK
12	KEY		

TOUCHSCREEN TABULATION

PART NUMBER	SURFACE FINISH
476561-000	CLEAR
E16027-000	ANTI GLARE (SINGLE SIDED)