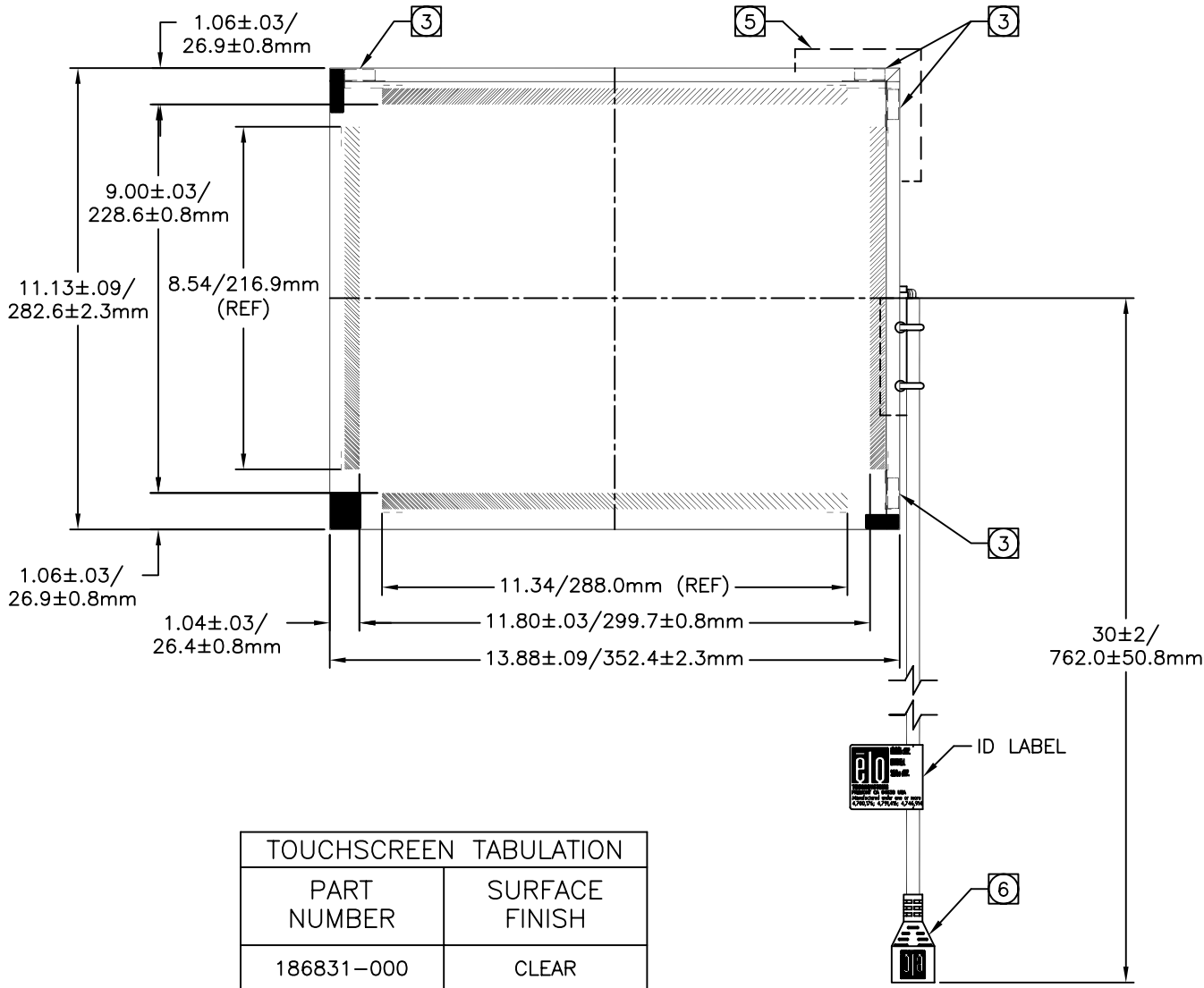


SecureTouch TOUCHSCREEN
SCN-ST-FLT14.2-005-000



NOTES:

1. ALL DIMENSIONS ARE IN INCHES AND MILLIMETERS.
2. GLASS THICKNESS: 0.47"[12mm] NOMINAL.
3. TRANSDUCERS ARE LOCATED AT THE POSITIONS SHOWN. GLASS IS BEVELED UNDER TRANSDUCERS.
4. NO MATERIAL EXTENDS MORE THAN 0.03"[0.8mm] BEYOND THE BACK SURFACE OF THE GLASS.
5. CABLE ROUTING ADDS 0.10"[2.5mm] MAX AS INDICATED ON SCREEN.
6. BERG 65043-031, 2x6 HOUSING WITH BERG 48239-000 RECEPTACLES, DIRECTLY MATES WITH ANY OF THE FOLLOWING:
 - INTELLITOUCH SERIAL CONTROL BOARD
 - 012226 CABLE (2x6 TO 8" DB9 BULKHEAD)
7. THE TOUCH ACTIVE AREA IS LESS THAN THE VIEWABLE AREA TO FACILITATE SEALING.
8. ARRAY PATTERNS ARE CENTERED ON GLASS WITH A TOLERANCE OF ± 0.05 "[1.3mm].
9. SURFACE QUALITY: THERE SHALL BE NO CIRCULAR DEFECTS LARGER THAN 0.06"[1.5mm], SCRATCHES LONGER THAN 1.50"[38.1mm] AND WIDER THAN 0.007"[0.2mm].

CONNECTION CHART

PIN	SIGNAL	INSULATION COLOR	JACKET COLOR
1	GROUND	OVERALL SHIELD	
2	KEY		
3	Y RECEIVE (+)	BLU	BLK
4	Y TRANSMIT (+)	BLU	GRY
5	Y RECEIVE (-)	BLK	BLK
6	Y TRANSMIT (-)	YEL	GRY
7	GROUND	INNER SHIELD	
8	X TRANSMIT (-)	RED	RED
9	X RECEIVE (-)	RED	BLK
10	X TRANSMIT (+)	GRN	RED
11	X RECEIVE (+)	WHT	BLK
12	KEY		

