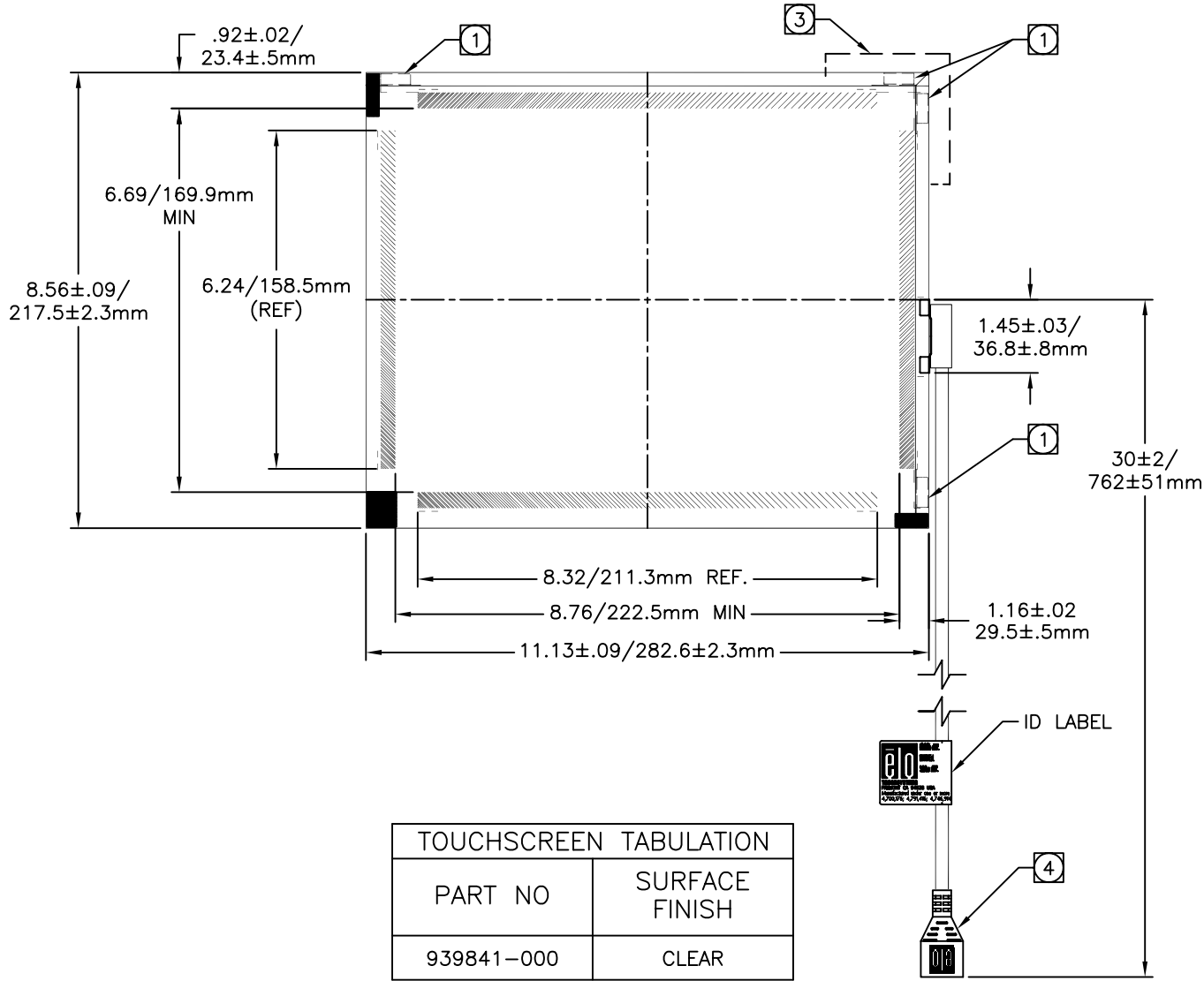


SecureTouch TOUCHSCREEN
SCN-ST-FLT10.4-006-000



TOUCHSCREEN TABULATION	
PART NO	SURFACE FINISH
939841-000	CLEAR

NOTES:

- ① TRANSDUCERS ARE LOCATED AT THE POSITIONS SHOWN. GLASS IS BEVELED UNDER THE TRANSDUCERS.
- 2. NO MATERIAL EXTENDS MORE THAN .030/.8mm BEYOND THE BACK SURFACE OF THE GLASS.
- ③ CABLE ROUTING ADDS A MAXIMUM OF .10/2.5mm TO INDICATED SECTION OF SCREEN.
- ④ BERG 65043-031, 2x6 HOUSING WITH BERG 48239-000 RECEPTACLES, DIRECTLY MATES WITH ANY OF THE FOLLOWING:
-INTELLITOUCH SERIAL CONTROL BOARD
-012226 CABLE (2x6 TO 8" DB9 BULKHEAD)
- 5. GLASS THICKNESS: .47/12mm NOMINAL.
- 6. ALL DIMENSIONS ARE IN INCHES AND MILLIMETERS.
- 7. THE TOUCH ACTIVE AREA IS LESS THAN THE VIEWABLE AREA TO FACILITATE SEALING.
- 8. SURFACE QUALITY: THERE SHALL BE NO CIRCULAR DEFECTS LARGER THAN .060" AND SCRATCHES LONGER THAN 1.50" AND WIDER THAN .007".

CONNECTION CHART			
PIN	SIGNAL	INSULATION COLOR	JACKET COLOR
1	GROUND	OVERALL SHIELD	
2	KEY		
3	Y RECEIVE (+)	BLU	BLK
4	Y TRANSMIT (+)	BLU	GRY
5	Y RECEIVE (-)	BLK	BLK
6	Y TRANSMIT (-)	YEL	GRY
7	GROUND	INNER SHIELD	
8	X TRANSMIT (-)	RED	RED
9	X RECEIVE (-)	RED	BLK
10	X TRANSMIT (+)	GRN	RED
11	X RECEIVE (+)	WHT	BLK
12	KEY		

