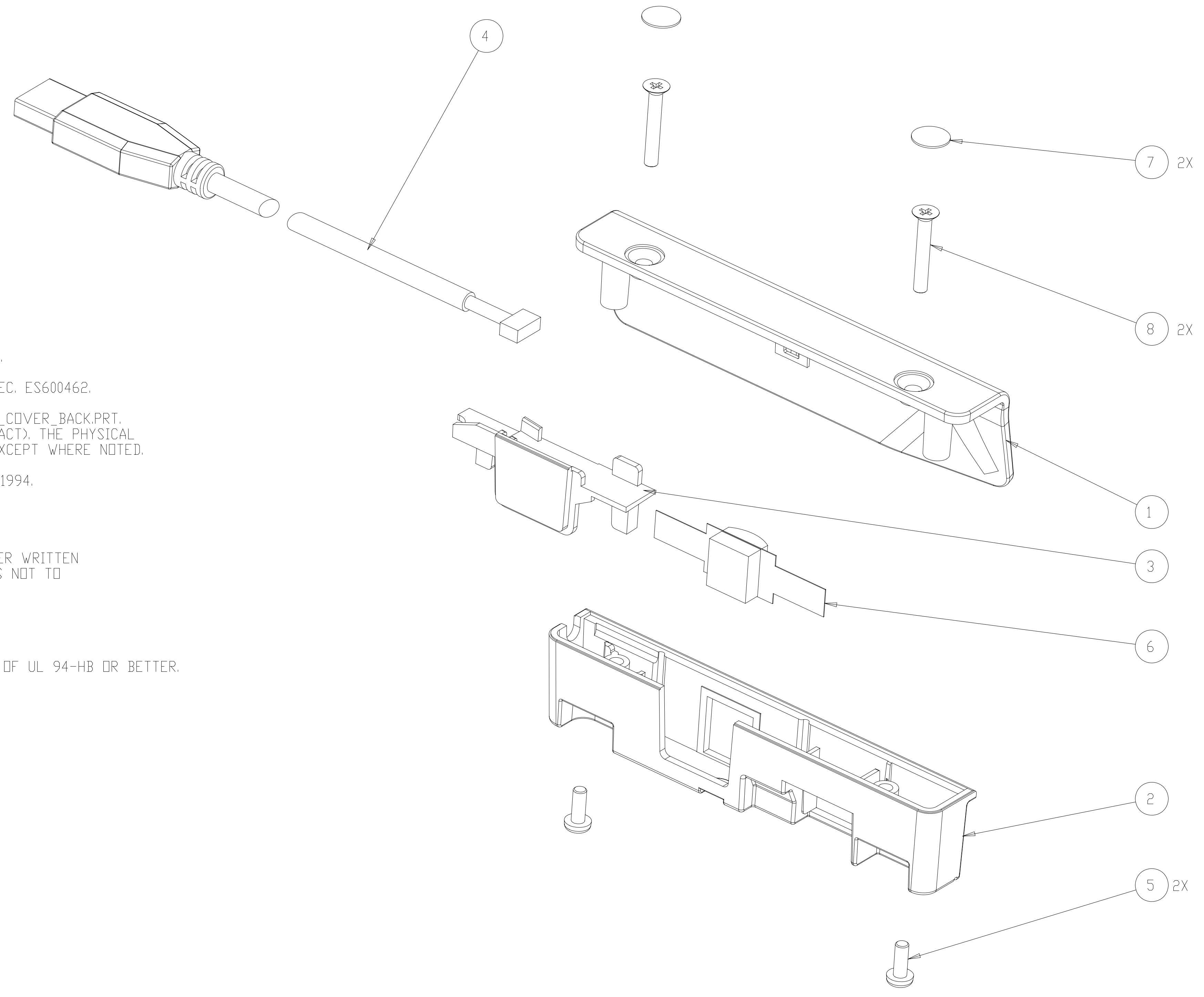


PROPRIETARY TO ELO TOUCHSYSTEMS, INC. AND SHALL NOT BE DISCLOSED  
OTHER THAN TO NECESSARY EMPLOYEES OR SUPPLIERS WITHOUT THE  
EXPRESS WRITTEN CONSENT OF ELO TOUCHSYSTEMS, INC.

REVISIONS					
REV	ZONE	BY	DESCRIPTION	DATE	APPROVED
A	--	QISDA	Initial Release	07/10/12	



NOTES: (UNLESS OTHERWISE SPECIFIED)

1. ALL MATERIAL AND COATINGS TO BE RoHS COMPLIANT.
2. MANUFACTURE INJECTION MOLDED PARTS PER ELO SPEC. ES600462.
3. MAKE FROM COMPUTER GENERATED FILE NO. 1515\_MSR\_COVER\_BACK.PRT. THE COMPUTER MODEL IS BASIC (THEORETICALLY EXACT). THE PHYSICAL PART MUST LIE WITHIN  $\pm 0.08$ MM OF THE MODEL, EXCEPT WHERE NOTED.
4. INTERPRET DRAWING PER ASME STANDARD Y-14.5M - 1994.
5. FLASH IS PERMISSIBLE ON PARTING LINE(S) ONLY. FLASH NOT TO EXCEED .08MM PROTRUSION.
6. GATE, EJECTOR PIN AND PARTING LINE LOCATIONS PER WRITTEN AGREEMENT BY VENDOR AND ELO. GATE PROTRUSIONS NOT TO EXCEED .08MM.
7. LOCATE MATERIAL IDENTIFICATION AND DATE CODE PER WRITTEN AGREEMENT.
8. MATERIAL USED MUST HAVE A FLAMMABILITY RATING OF UL 94-HB OR BETTER.

ITEM NO.	QTY REQ'D	DRAWING OR PART NO.	DESCRIPTION	MATERIAL SPECIFICATION
8	2	-	SCREW, PHILLIPS, FLAT HEAD, M3X22LG-R	CRES, STL
7	2	-	PLUG, MYLAR	MYLAR, ADHESIVE BACKED
6	1	E683795	MAGTEK INTILLIHEAD	-
5	2	-	SCREW, PHILLIPS, PAN HEAD, THD. CUT, $\varnothing 3 \times 8$ LG-R	CRES, STL, RoHS COMPLIANT
4	1	E612021	USB CABLE, 1515 MSR	-
3	1	-	MSR_BRACE	30% GLASS FILLED NYLON 6-6
2	1	-	MSR_B	30% GLASS FILLED NYLON 6-6
1	1	-	MSR_A	PC

NOTE: (UNLESS OTHERWISE SPECIFIED)

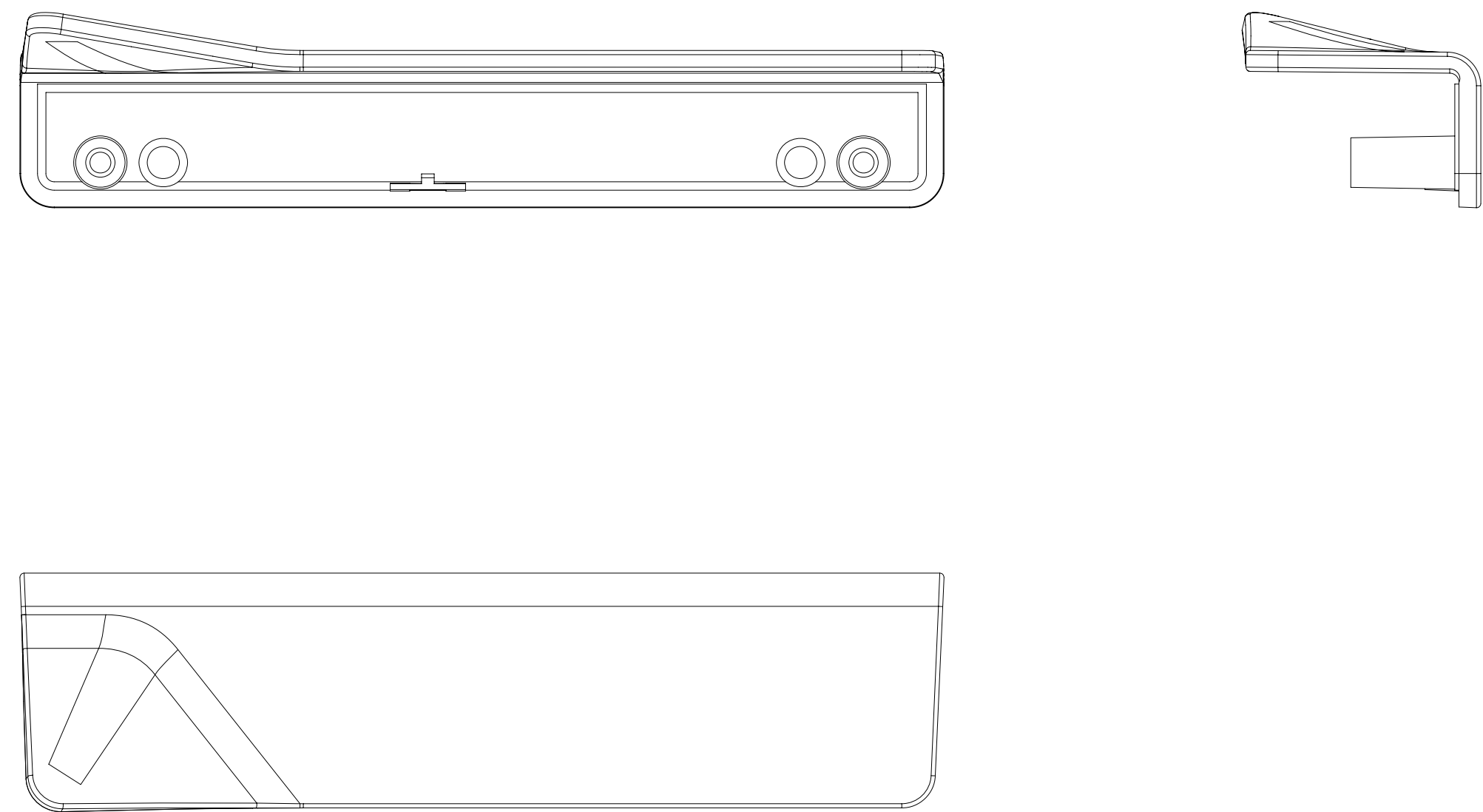
1. PACKAGING TO BE INDIVIDUAL:  
1 UNIT PER BOX, OVER BOX OK (RECOMMENDED QTY. 20).  
BAG ITEMS 7,8 SEPARATELY, BOX AND SHIP WITH UNIT.
2. LABEL PACK WITH P/N AND DESCRIPTION.

PRODUCT TABLE		
PART NO.	DESCRIPTION	1517_MSR_A
E318756	MSR ASSY,USB,GY,1517L,1717L	
E873303	MSR ASSY,USB,WH,1517L,1717L	

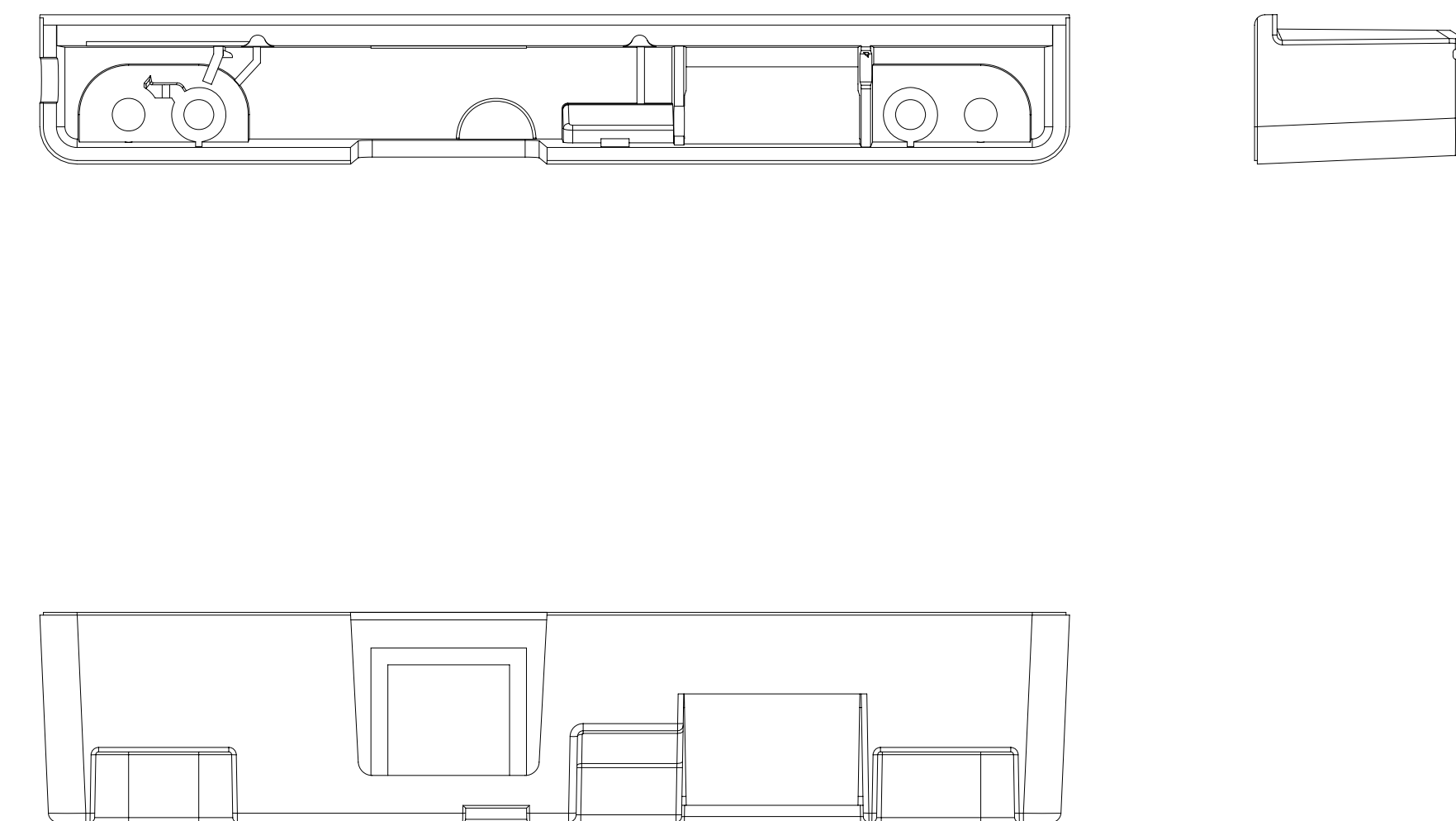
<b>SEE PRODUCT TABLE</b>  <b>METRIC</b>  DO NOT SCALE DRAWING	UNLESS OTHERWISE SPECIFIED ALL DIMENSIONS ARE IN MILLIMETERS  TOLERANCES ARE: DECIMALS: $\pm 0.50$ ANGLES: $\pm 1/2^\circ$ FRACTIONS: $\pm 0.25$ XX: $\pm 0.13$	DRAWN: - CHECK: - DESIGN: JEFF HALLER DATE: 02/27/12 THIRD ANGLE PROJECTION	DATE: - TITLE: DWG.ASSY. 1517L 1717L MSR-R	
	Pro/E .prt/.asm 1515_MSR.PRT Pro/E .dwt SD_1517_MSR.DRW		SIZE: D SCALE: 0.333 SHEET: 1 OF 2 DWG NO.: SD603361 REV: A	

DWG NO.: SD603361 REV: A

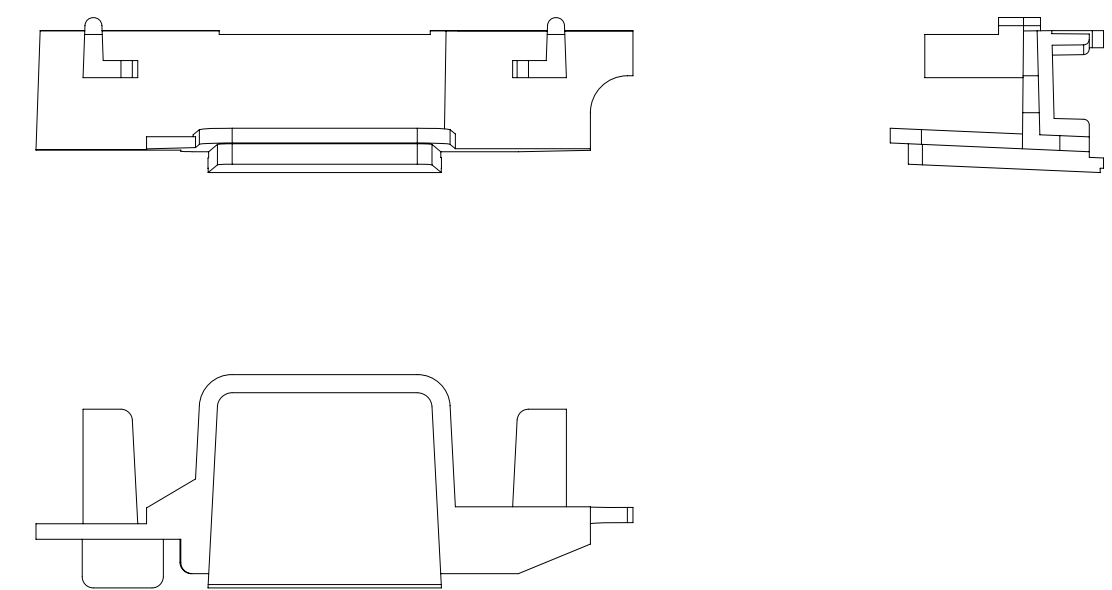
1517\_MSR\_A  
MATERIAL: PC  
COLOR: BLACK FOR KIT EXXXX; WHITE FOR KIT EXXXX  
TEXTURE: HIGH GLOSS



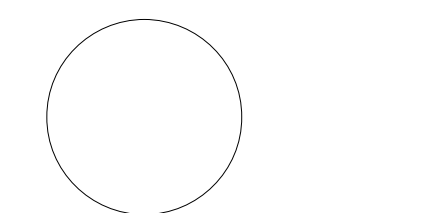
1517\_MSR\_B  
MATERIAL: NYLON 66, 30% GLASS FILLED  
COLOR: BLACK  
TEXTURE: MT-11510



1517\_MSR\_BRACE  
MATERIAL: NYLON 66, 30% GLASS FILLED  
COLOR: BLACK  
TEXTURE: MT-11510



1517\_MSR\_PLUG  
MATERIAL: MYLAR, ADHESIVE BACKED  
COLOR: BLACK FOR KIT EXXXX; WHITE FOR KIT EXXXX  
TEXTURE: HIGH GLOSS



TITLE					
DWG. ASSY, 1517L 1717L, MSR-R					
SIZE	SCALE	SHEET	DWG. NO.	REV.	
D	1:750	2 OF 2	SD603361	A	

REV: A  
SD603361