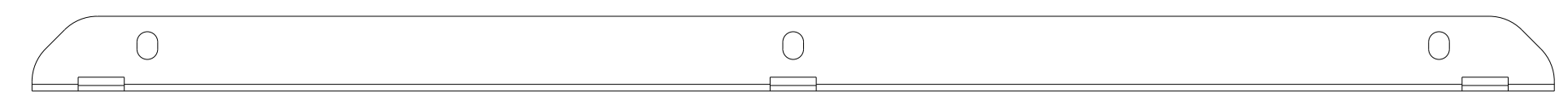
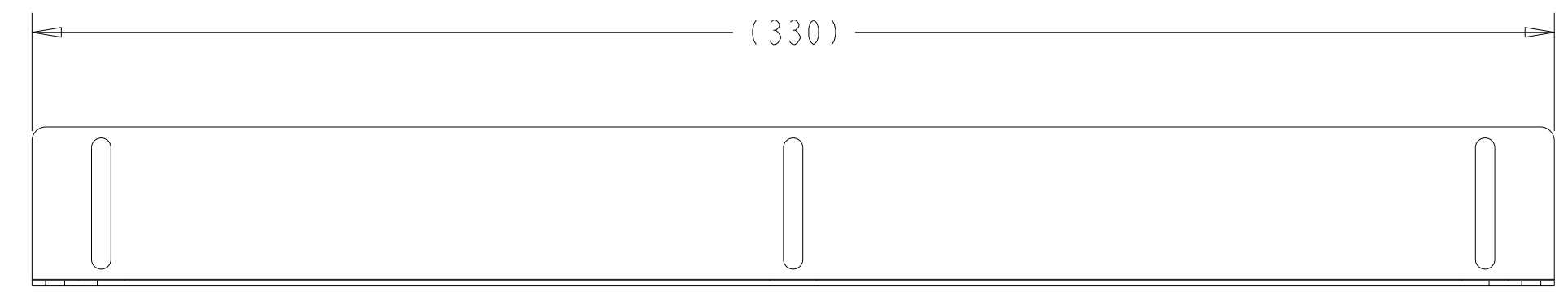
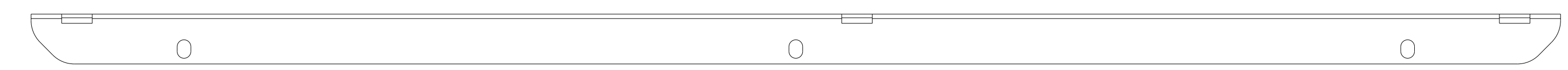
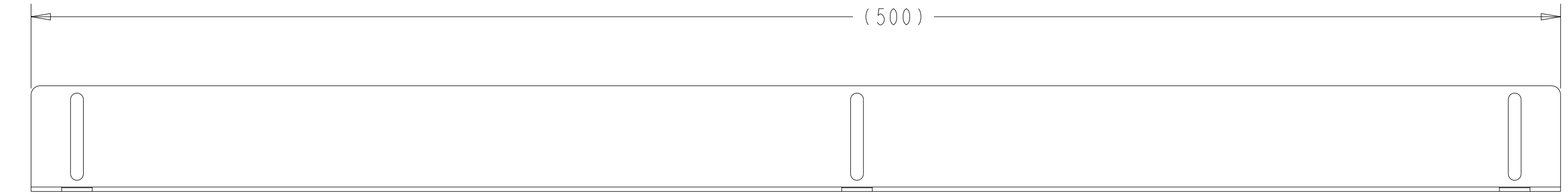


PROPRIETARY TO ELO TOUCHSYSTEMS, INC. AND SHALL NOT BE DISCLOSED  
OTHER THAN TO NECESSARY EMPLOYEES OR SUPPLIERS WITHOUT THE  
EXPRESS WRITTEN CONSENT OF ELO TOUCHSYSTEMS, INC.

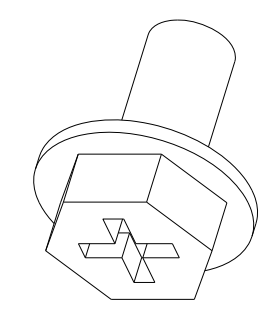
REVISIONS					
REV	ZONE	BY	DESCRIPTION	DATE	APPROVED
A	--	--	RELEASE PER ECO-10-002116	2-01-10	



② E247534



① E888233



③ E981067

PART NUMBER		PART NUMBER DESCRIPTION
E499603		ELO-BRKT-KIT-MEGAKIOSK 22-R
ITEM NO.	QTY	DESCRIPTION
3	8	SCR, HXHD, PHIL, SERRATED, M4X0.7 X 8LG
2	2	BRKT, MTG, L/R, MEGAKIOSK 22-R
1	2	BRKT, MTG, T/B, MEGAKIOSK 22-R

NOTES: IF ORDERED SEPARATE:  
 1. 2 PCS OF EA. L-BRACKET WRAP IN A PAPER.  
 2. 8 PCS OF SCREW TO BE BAGGED, TAPE IN ITEM 1.  
 3. 10 SETS OF ITEM 1-2 PACEKED IN BROWN BOX WITH LABEL OUTSSIDE THE BOX THAT SHOWS: THE PART NUMBER, DESCRIPTION AND QUANTITY.  
 4. MULTI-PACKS CONTAINING INDIVIDUALLY BOXED L-BRACKET KIT ACCEPTABLE. LABEL OUTSIDE THE BOX CONTAIN PART NUMBER,DESCTIPTION AND QUANTITY

PART. NO. <b>E499603</b>		UNLESS OTHERWISE SPECIFIED ALL DIMENSIONS ARE IN MILLIMETERS		DRAWN DATE 00.00.00	TITLE
<b>METRIC</b>		TOLERANCES ARE: DECIMALS    ANGLES ± 0.25       ± 1/2° FRACTIONS    ± 1/32		CHECK DATE	FILES MECHANICAL. 3D PROE. ELO-BRKT-KIT-MEGAKIOSK 22-R
DO NOT SCALE DRAWING		THIRD ANGLE PROJECTION		DESIGN DATE 00.00.00	
ProjE_prt1.asm ELO_MEGAKIOSK20.MTG_BRACK_LR.PRT		THIRD ANGLE PROJECTION		SIZE SCALE SHEET DWG. NO. REV D 0.750 1 OF 1 SD602011 A	
ProjE_drw: SD602011.DRW		THIRD ANGLE PROJECTION		Tyco Electronics	

BOM: NO. SD602011 REV. A