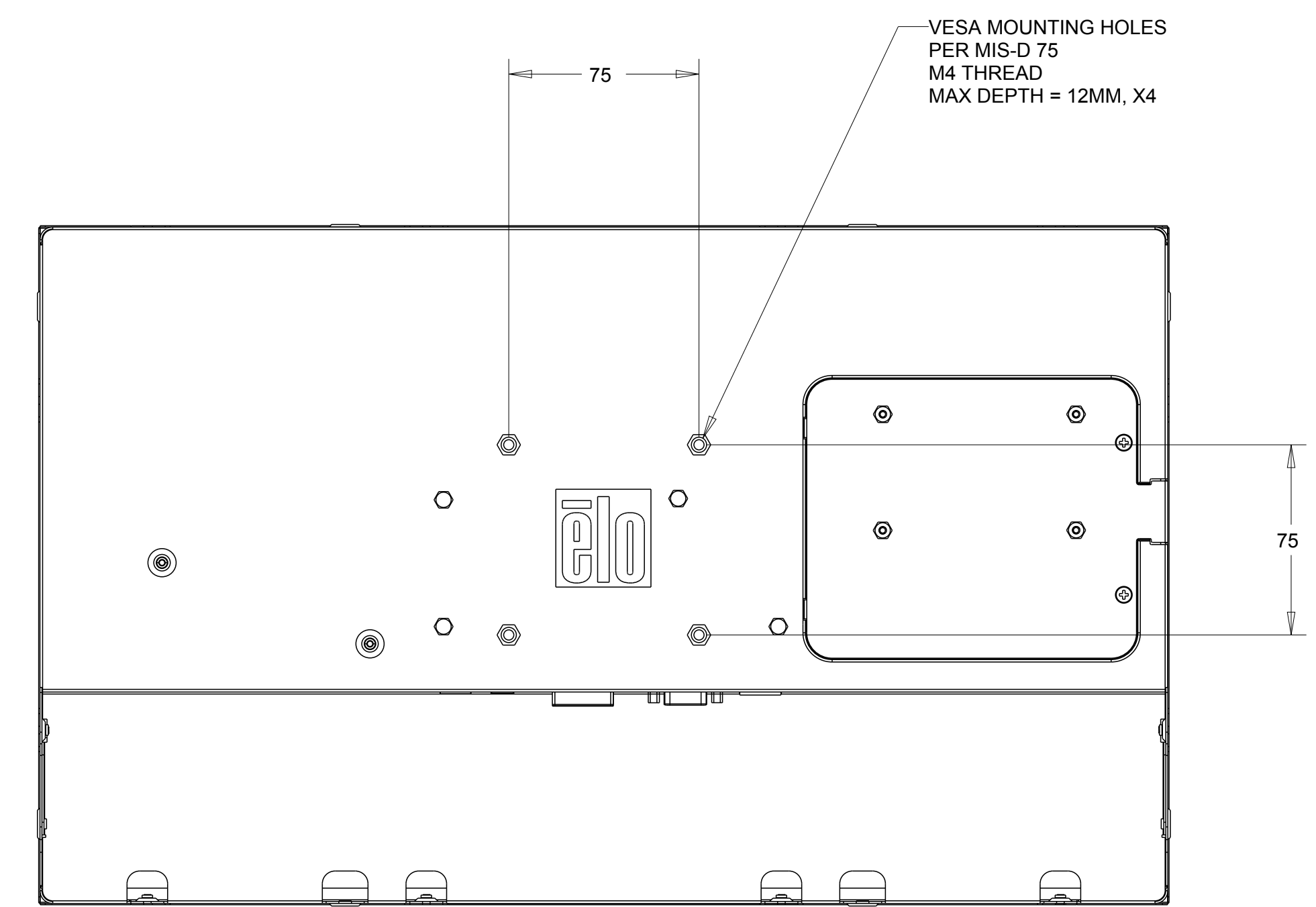
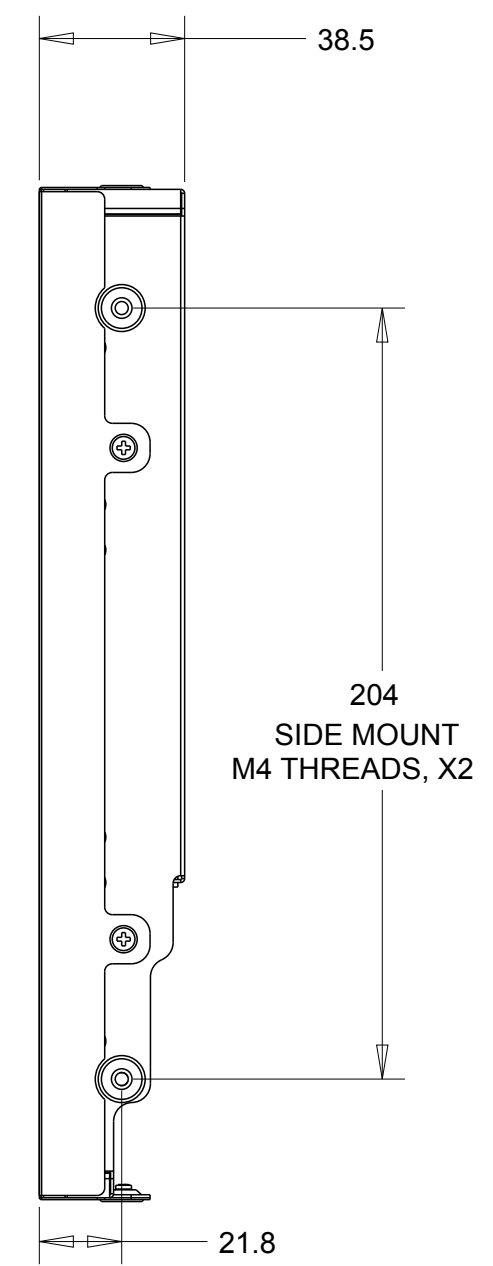
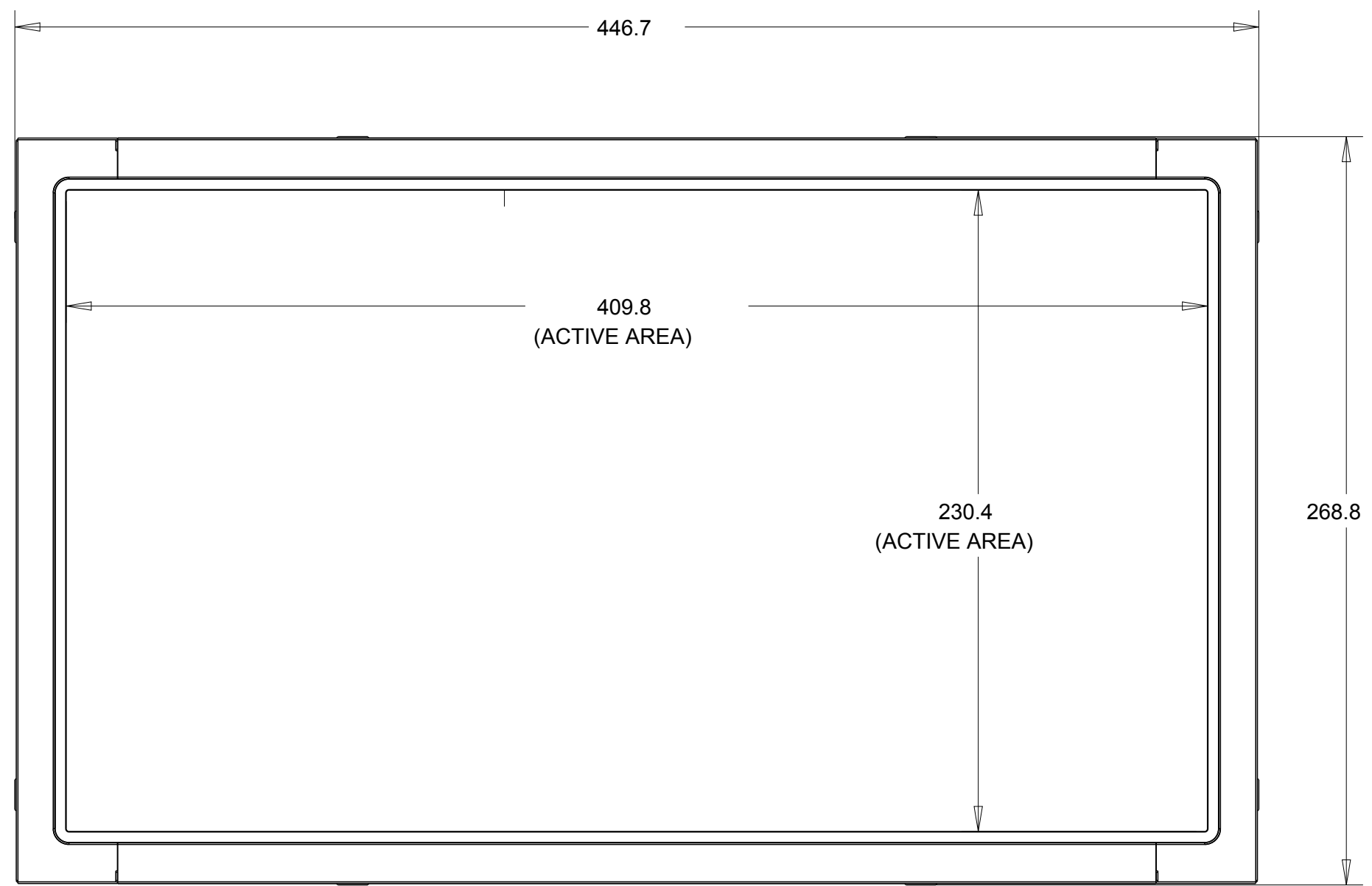


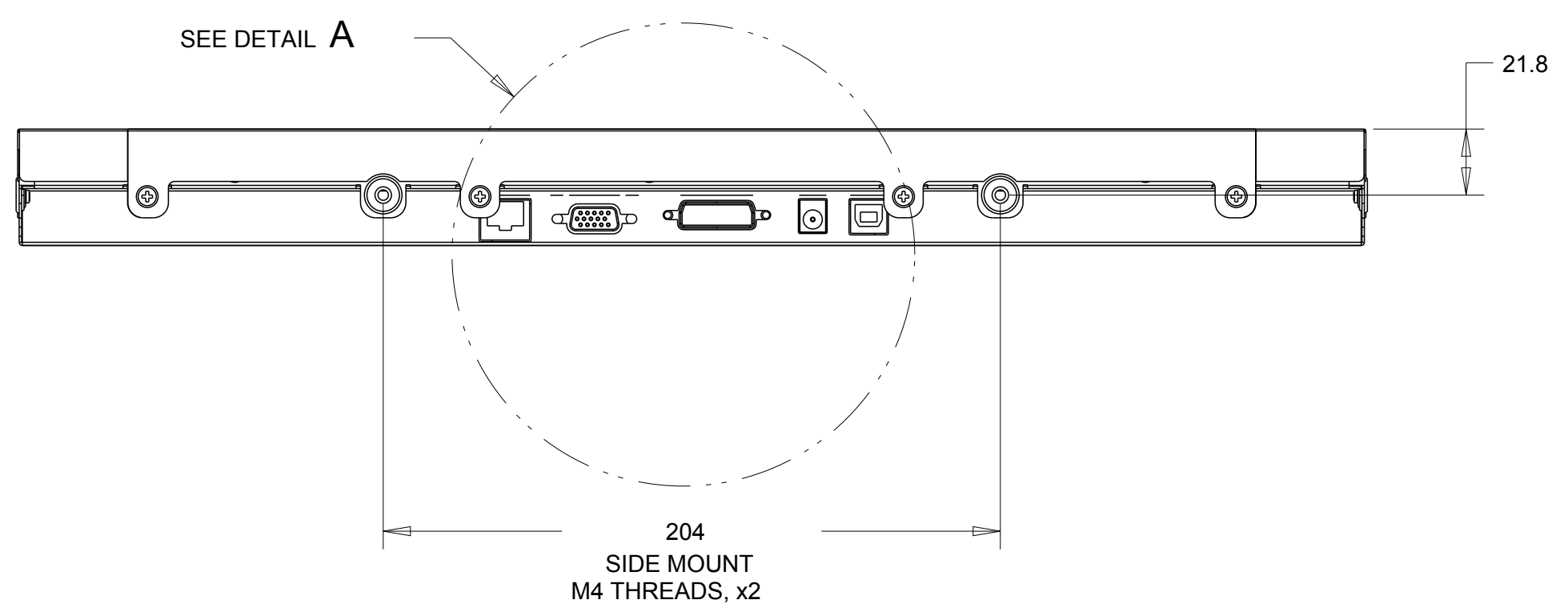
PROPRIETARY TO ELO TOUCH SOLUTIONS, INC. AND SHALL NOT BE DISCLOSED OTHER THAN TO NECESSARY EMPLOYEES OR SUPPLIERS WITHOUT THE EXPRESS WRITTEN CONSENT OF ELO TOUCH SOLUTIONS, INC.

REVISIONS					
REV	ZONE	BY	DESCRIPTION	DATE	APPROVED
A	--	KJN	INITIAL RELEASE	04/03/12	
B	--	DI	REVISED PER ECO-12-014540 ELO TITLE BLOCK WAS TE	08/31/12	

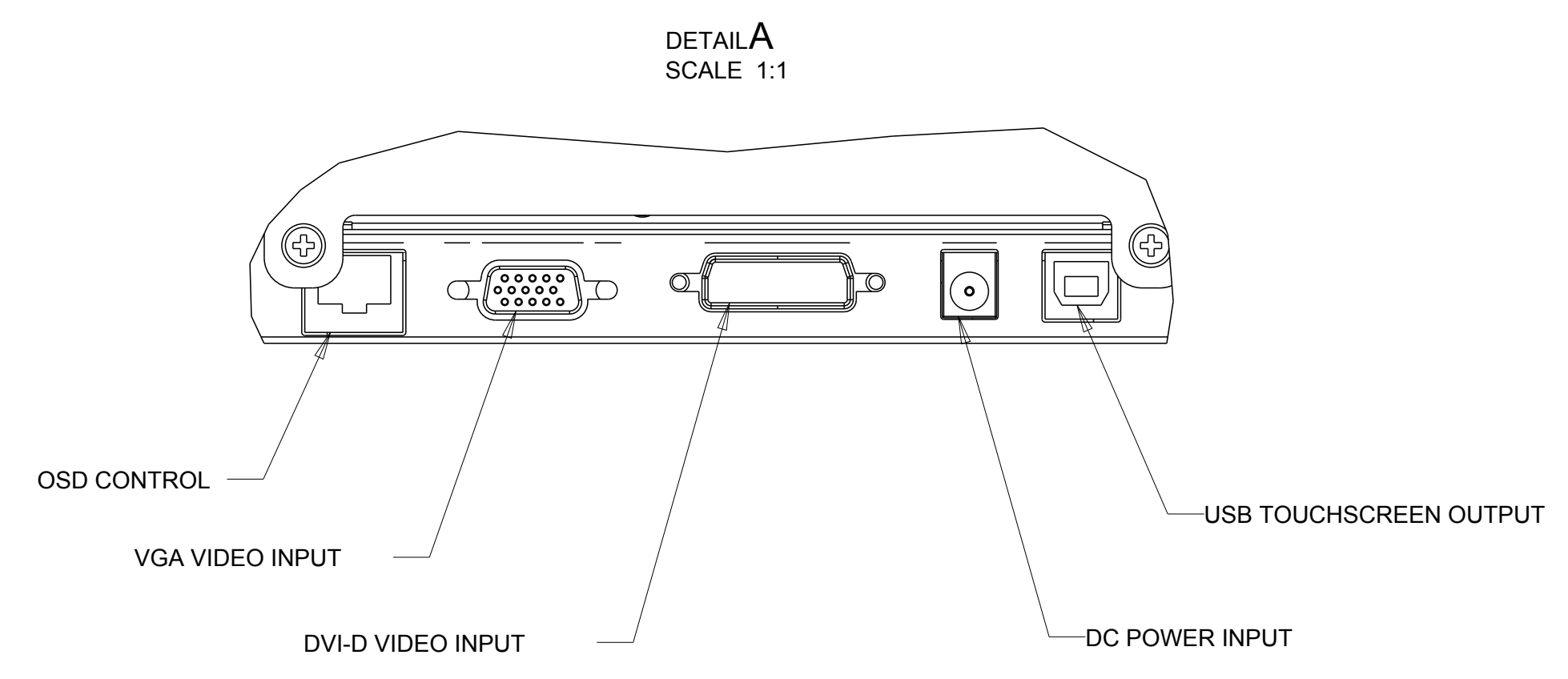
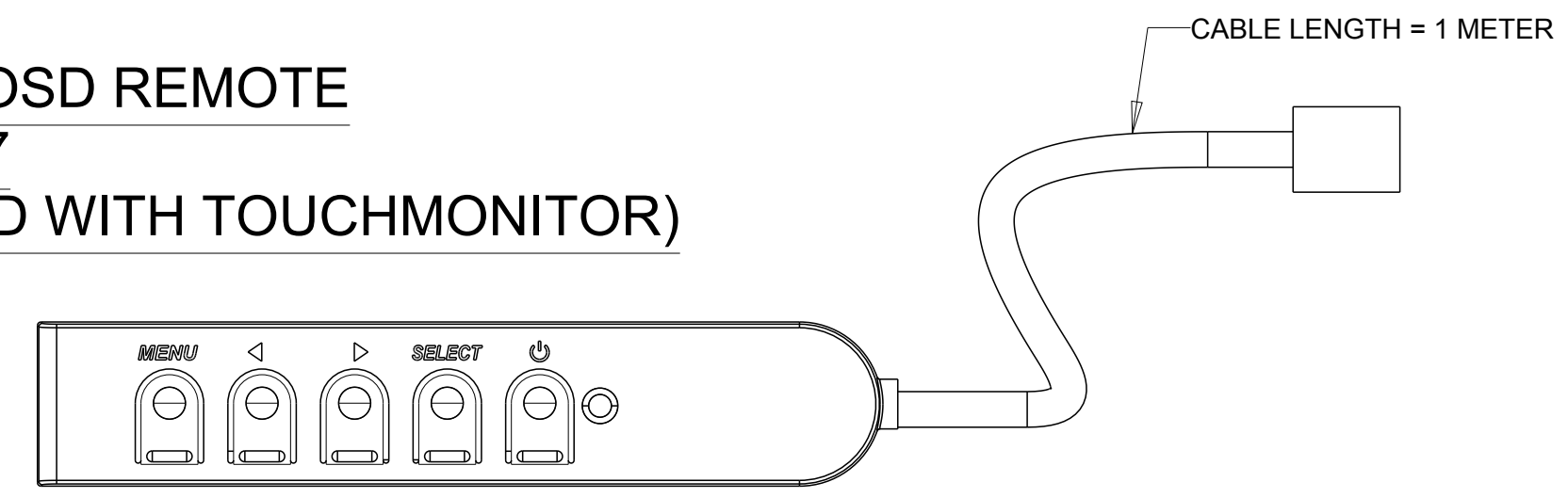
INTELLITOUCH PLUS



VESA MOUNTING HOLES PER MIS-D 75 M4 THREAD MAX DEPTH = 12MM, X4



OPTIONAL OSD REMOTE  
P/N E483757  
(1 INCLUDED WITH TOUCHMONITOR)



DETAIL A  
SCALE 1:1

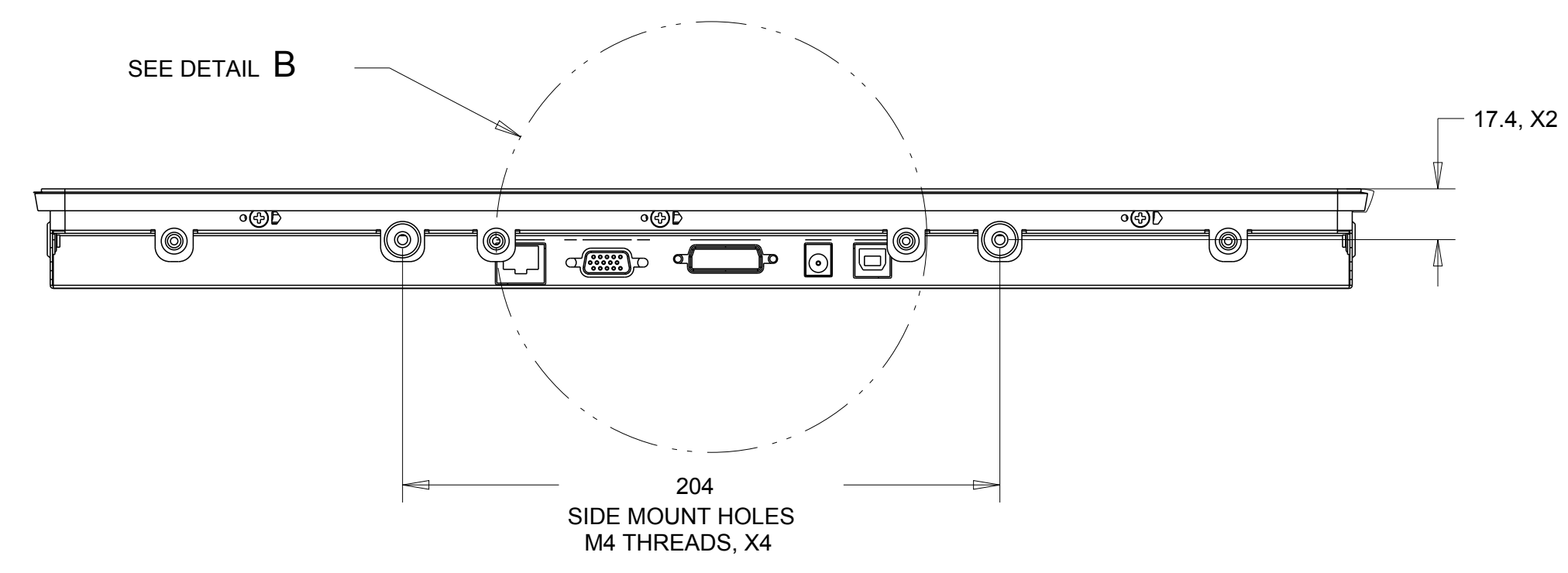
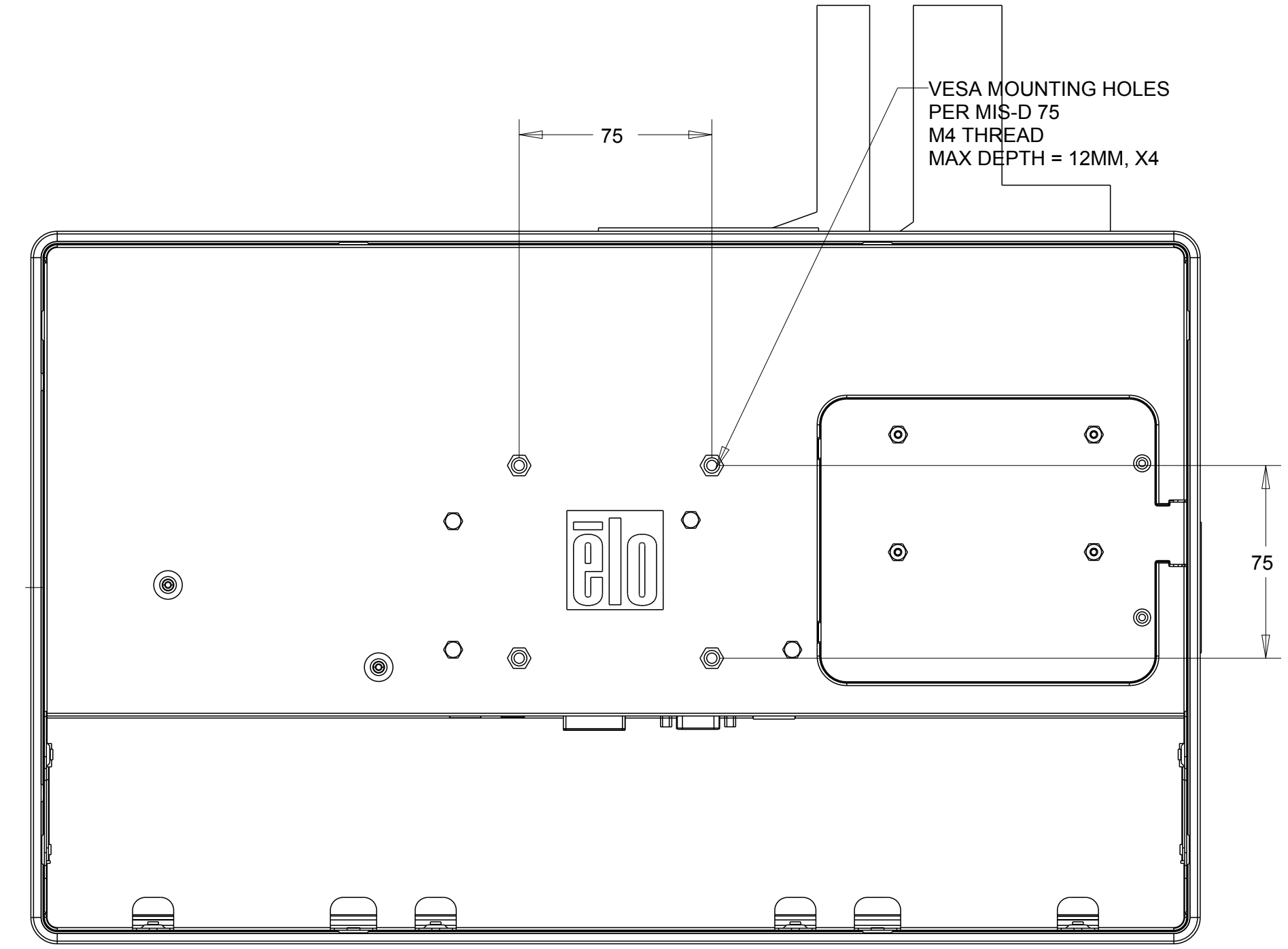
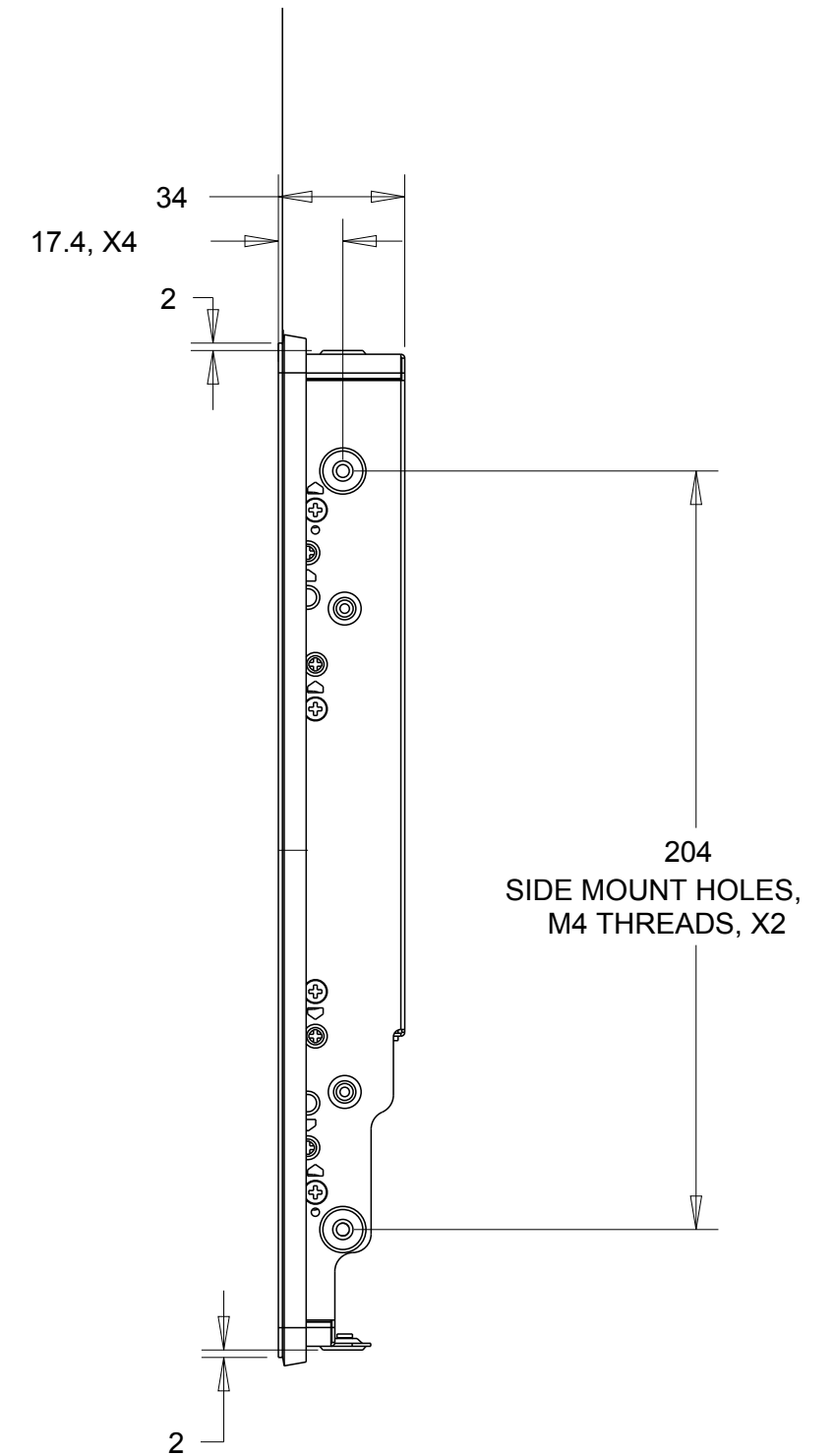
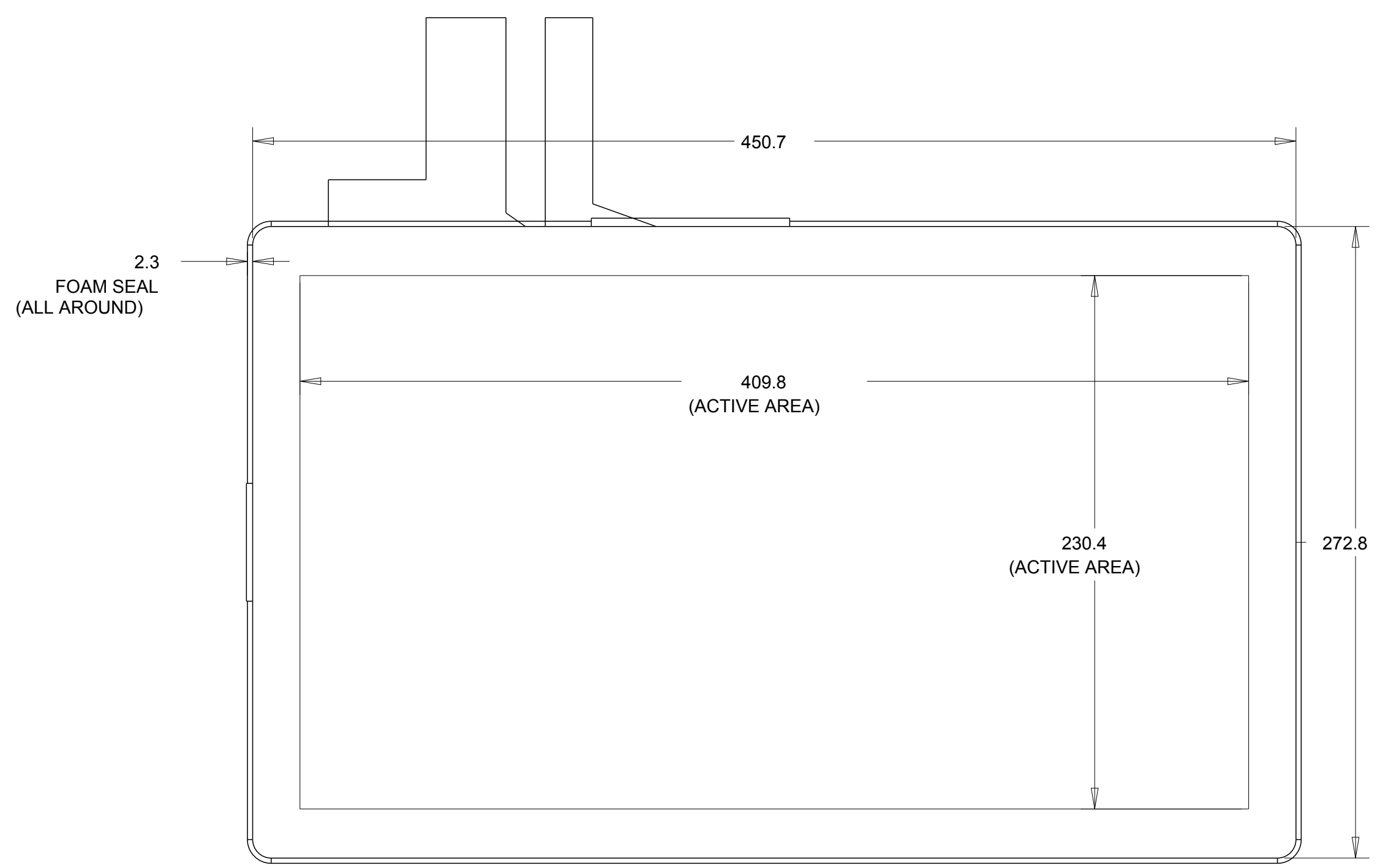
ITEM NO.	QTY REQ'D	DRAWING OR PART NO.	DESCRIPTION	MATERIAL SPECIFICATION
PARTS LIST				
PART. NO. MS601158		DRAWN KEN NORTH DATE 00.00.00		TITLE DIMENSIONAL DRAWING 1940L
METRIC		CHECK DATE		
DO NOT SCALE DRAWING		DESIGN KEN NORTH DATE 00.00.00		
TOLERANCES ARE:		THIRD ANGLE PROJECTION		
DECIMALS ±1/2"		DATE		
ANGLES ±1/32"		DATE		
FRACTIONS ±1/32"		DATE		
XX±: 0.13		DATE		
ProfE.prt/asm: 1940_TLA.PRT		SIZE D SCALE 1:2 SHEET 1 OF 6 DWG. NO. MS601158 REV B		
ProfE.dwg: MS601158_REV.B.DRW				

DWG. NO. MS601158

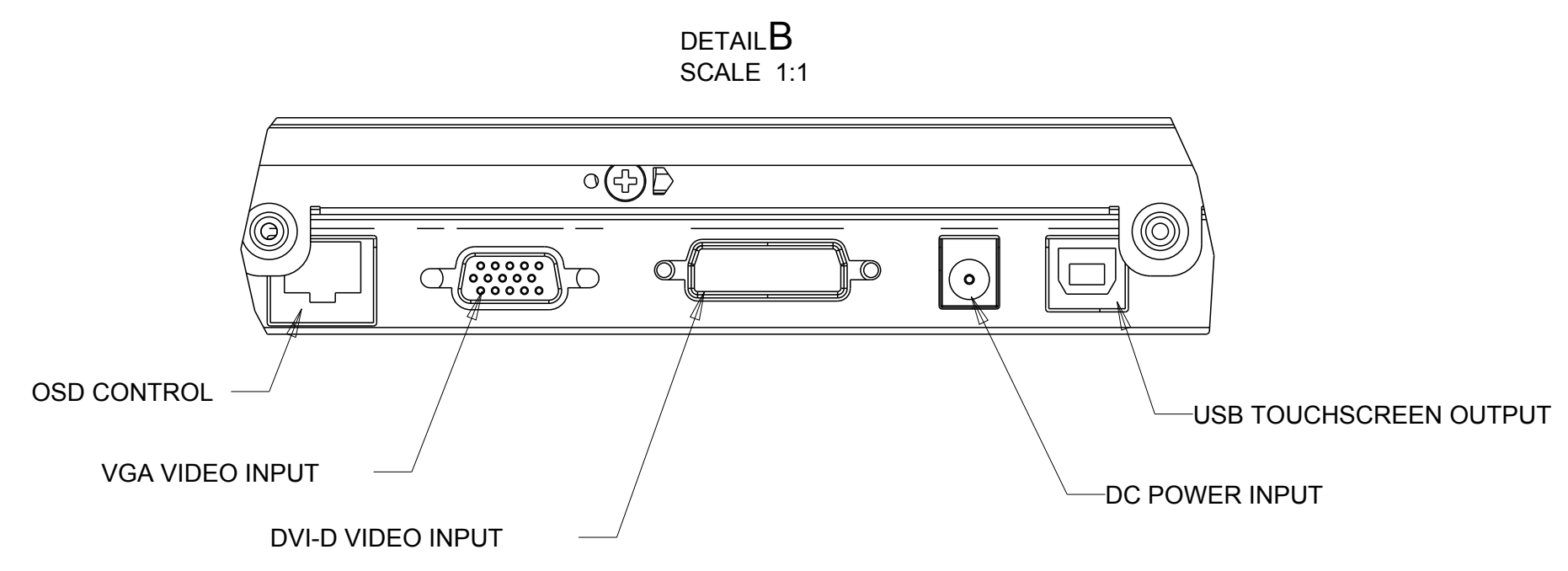
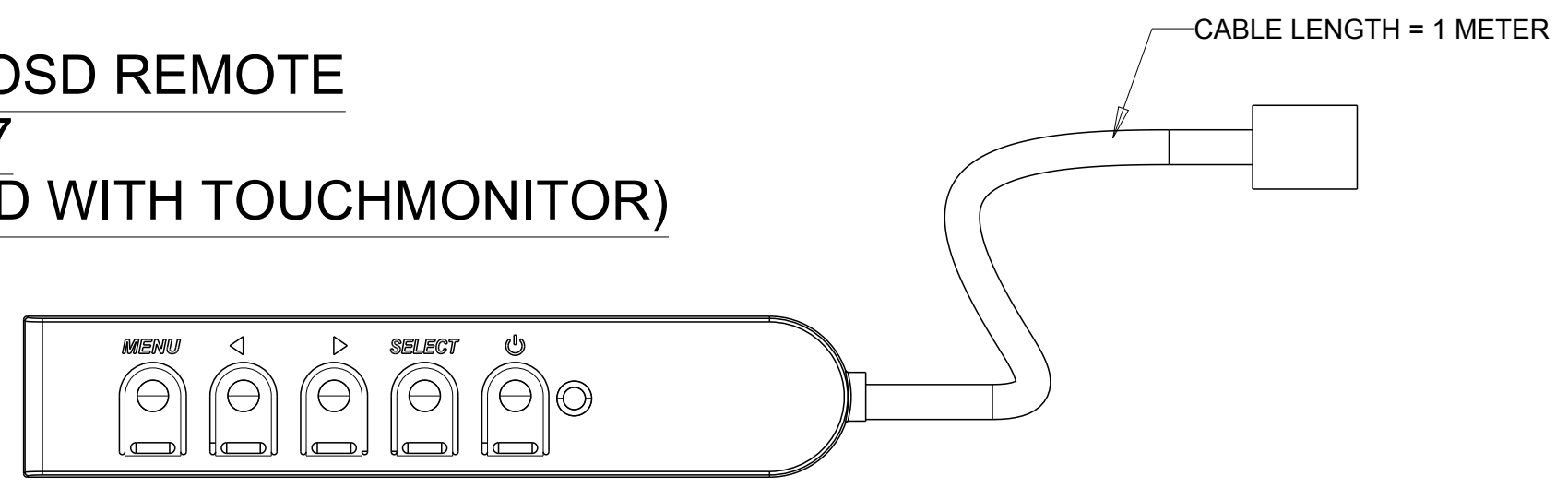
PROPRIETARY TO ELO TOUCH SOLUTIONS, INC. AND SHALL NOT BE DISCLOSED OTHER THAN TO NECESSARY EMPLOYEES OR SUPPLIERS WITHOUT THE EXPRESS WRITTEN CONSENT OF ELO TOUCH SOLUTIONS, INC.

REVISIONS					
REV	ZONE	BY	DESCRIPTION	DATE	APPROVED
			SEE SHEET ONE		

PROJECTED CAPACITIVE



OPTIONAL OSD REMOTE  
P/N E483757  
(1 INCLUDED WITH TOUCHMONITOR)



ITEM NO.	QTY REQ'D	DRAWING OR PART NO.	DESCRIPTION	MATERIAL SPECIFICATION		
PARTS LIST						
PART. NO. MS601158		DRAWN KEN NORTH		DATE 00.00.00		
METRIC		CHECK		DATE		
DO NOT SCALE DRAWING		DESIGN KEN NORTH		DATE 00.00.00		
TOLERANCES ARE:		THIRD ANGLE PROJECTION				
DECIMALS ± 1/2"						
ANGLES ± 1/2°						
FRACTIONS ± 1/32						
ProfE prt/asm: 1940_TLA.PRT ProfE drw: MS601158_REV.B.DRW		SIZE D	SCALE 1:2	SHEET 2 OF 6	DWG. NO. MS601158	REV B

TITLE DIMENSIONAL DRAWING 1940L

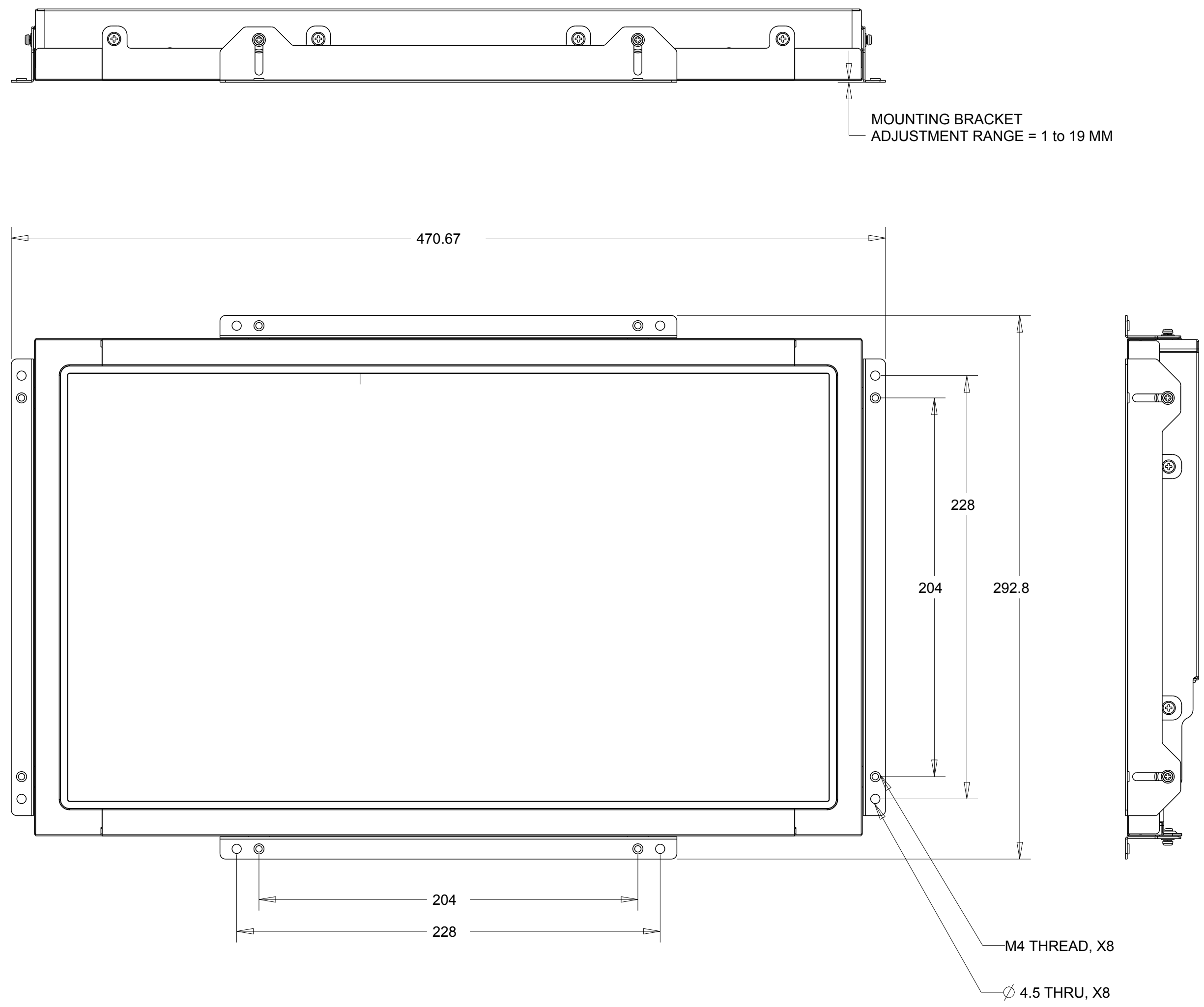


DWG. NO. MS601158

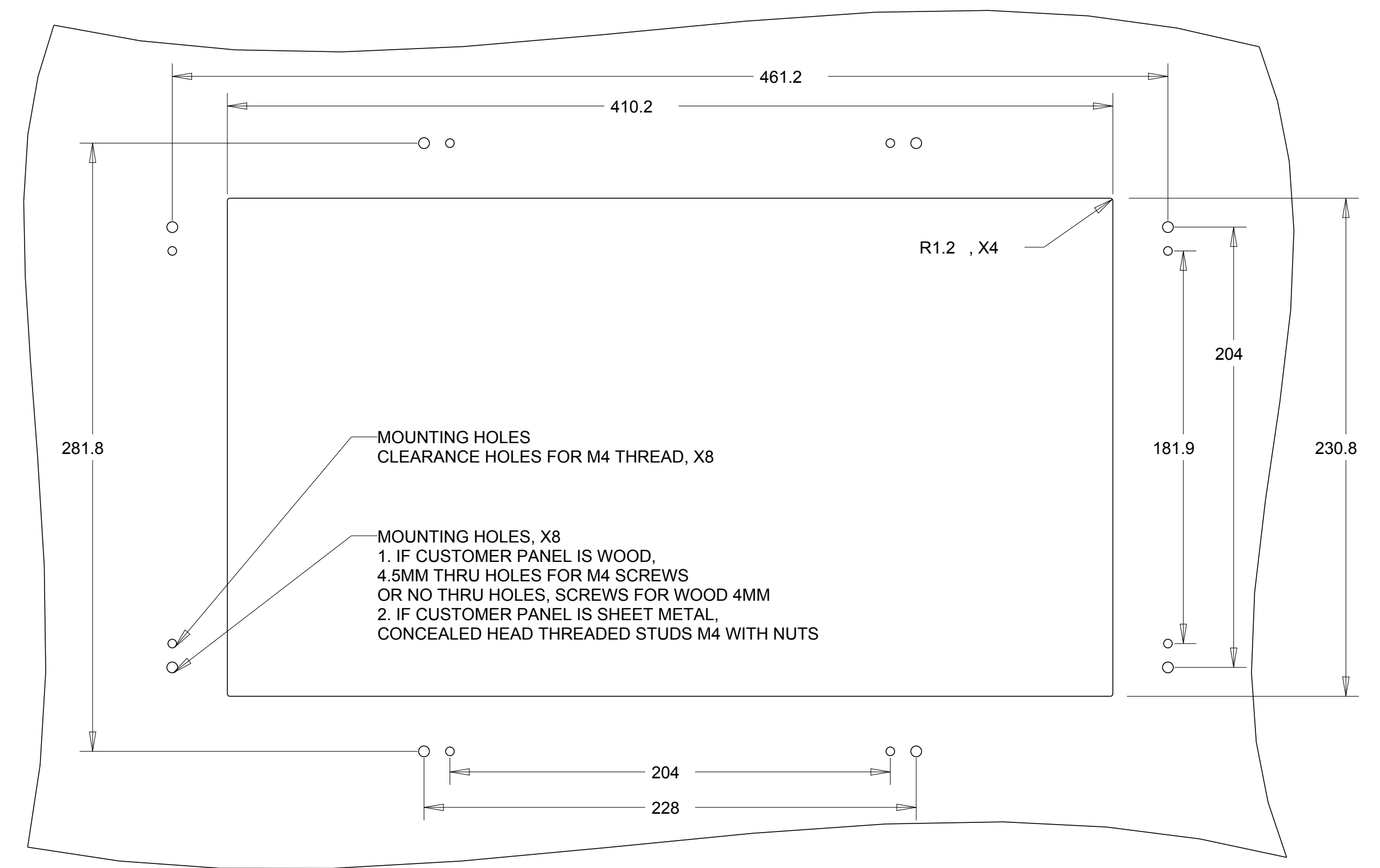
PROPRIETARY TO ELO TOUCH SOLUTIONS, INC. AND SHALL NOT BE DISCLOSED OTHER THAN TO NECESSARY EMPLOYEES OR SUPPLIERS WITHOUT THE EXPRESS WRITTEN CONSENT OF ELO TOUCH SOLUTIONS, INC.

REVISIONS					
REV	ZONE	BY	DESCRIPTION	DATE	APPROVED
			SEE SHEET ONE		

**INTELLITOUCH PLUS MONITOR  
MOUNTING WITH ADJUSTABLE BRACKETS (4 PROVIDED)  
ALSO AVAILABLE SEPARATELY (P/N E201156)**



**RECOMMENDED CUSTOMER PANEL CUTOUT**



ITEM NO.	QTY REQ'D	DRAWING OR PART NO.	DESCRIPTION	MATERIAL SPECIFICATION										
PARTS LIST														
PART. NO. <b>MS601158</b>		DRAWN KEN NORTH		DATE 00.00.00										
METRIC		CHECK		DATE										
DO NOT SCALE DRAWING		DESIGN KEN NORTH		DATE 00.00.00										
TOLERANCES ARE: DECIMALS: ± 1/ 2" ANGLES: ± 1/ 32" FRACTIONS: ± 1/ 32"		THIRD ANGLE PROJECTION		TITLE DIMENSIONAL DRAWING 1940L										
ProfE prt/asm: 1940_TLA.PRT		ProfE dwg: MS601158_REV8.DRW		<table border="1"> <tr> <th>SIZE</th> <th>SCALE</th> <th>SHEET</th> <th>DWG. NO.</th> <th>REV</th> </tr> <tr> <td>D</td> <td>1:2</td> <td>3 OF 6</td> <td>MS601158</td> <td>B</td> </tr> </table>	SIZE	SCALE	SHEET	DWG. NO.	REV	D	1:2	3 OF 6	MS601158	B
SIZE	SCALE	SHEET	DWG. NO.	REV										
D	1:2	3 OF 6	MS601158	B										

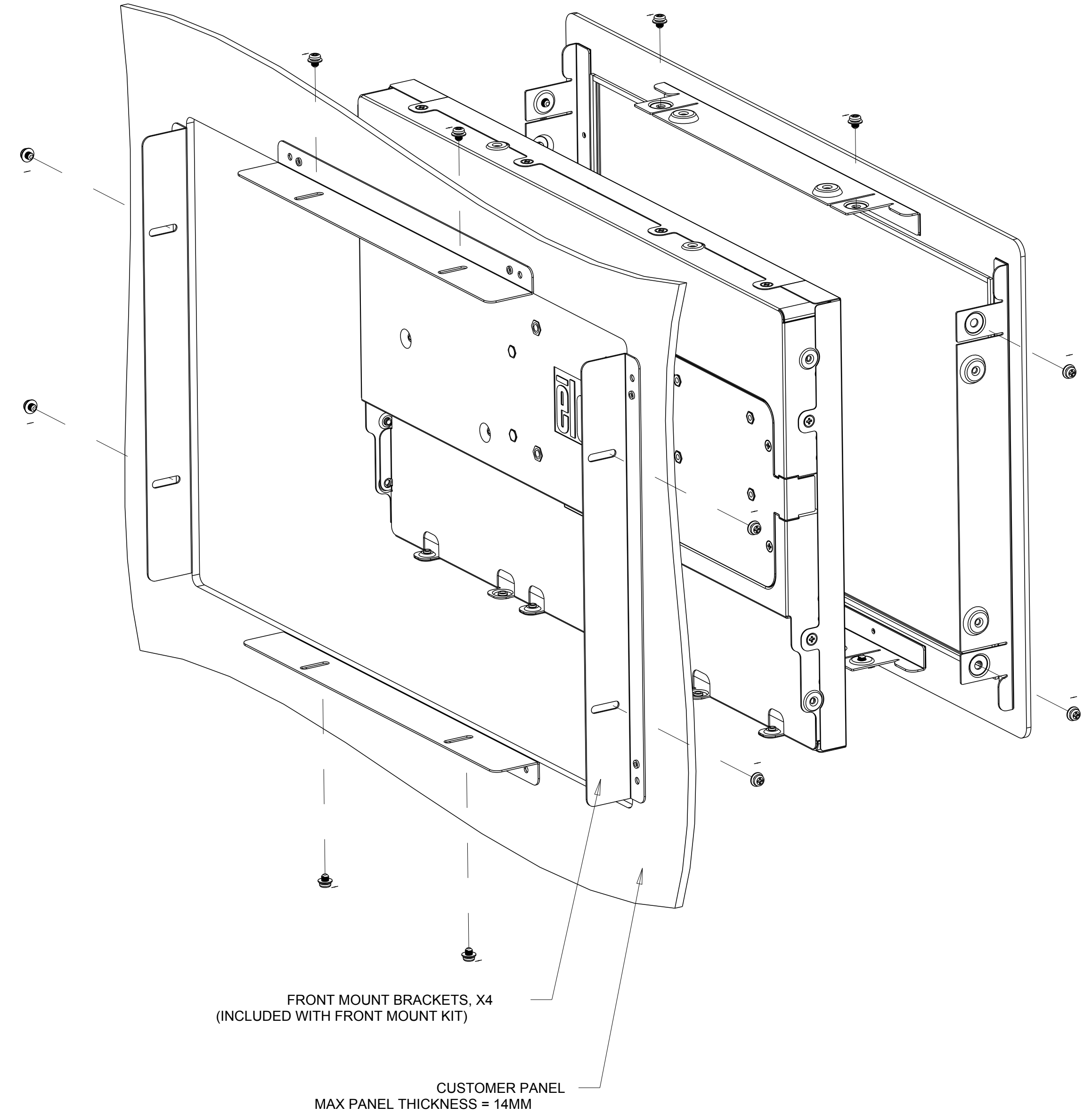
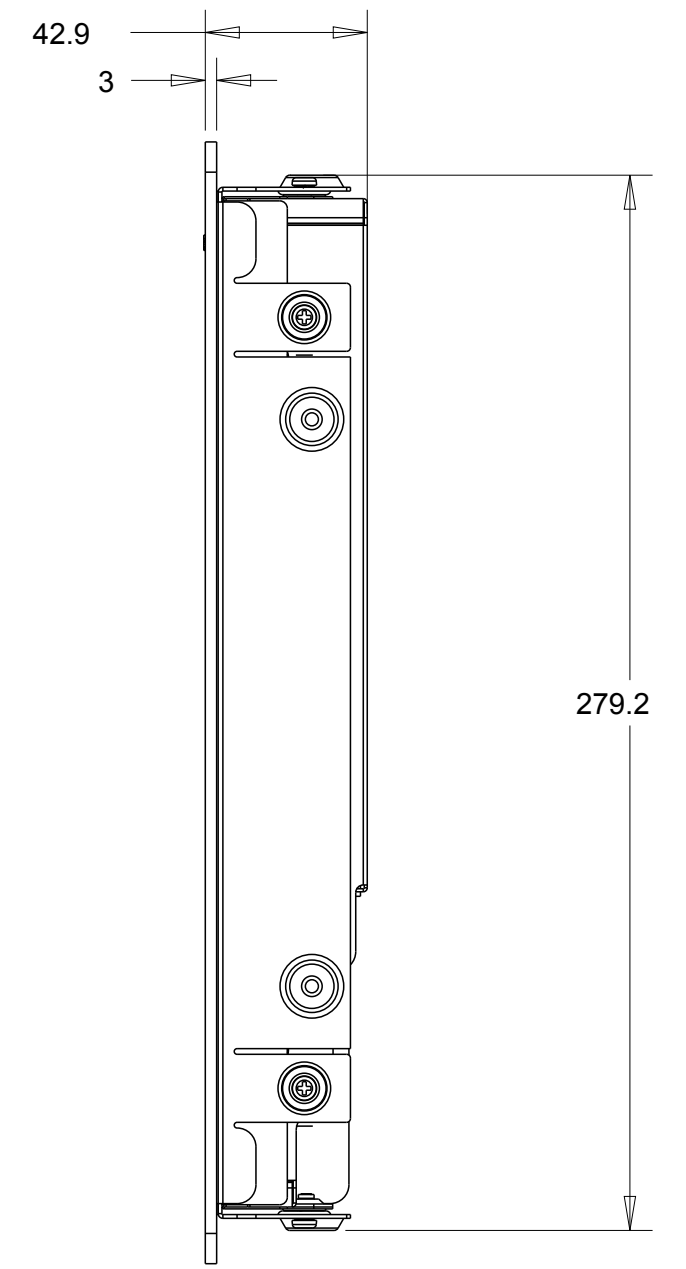
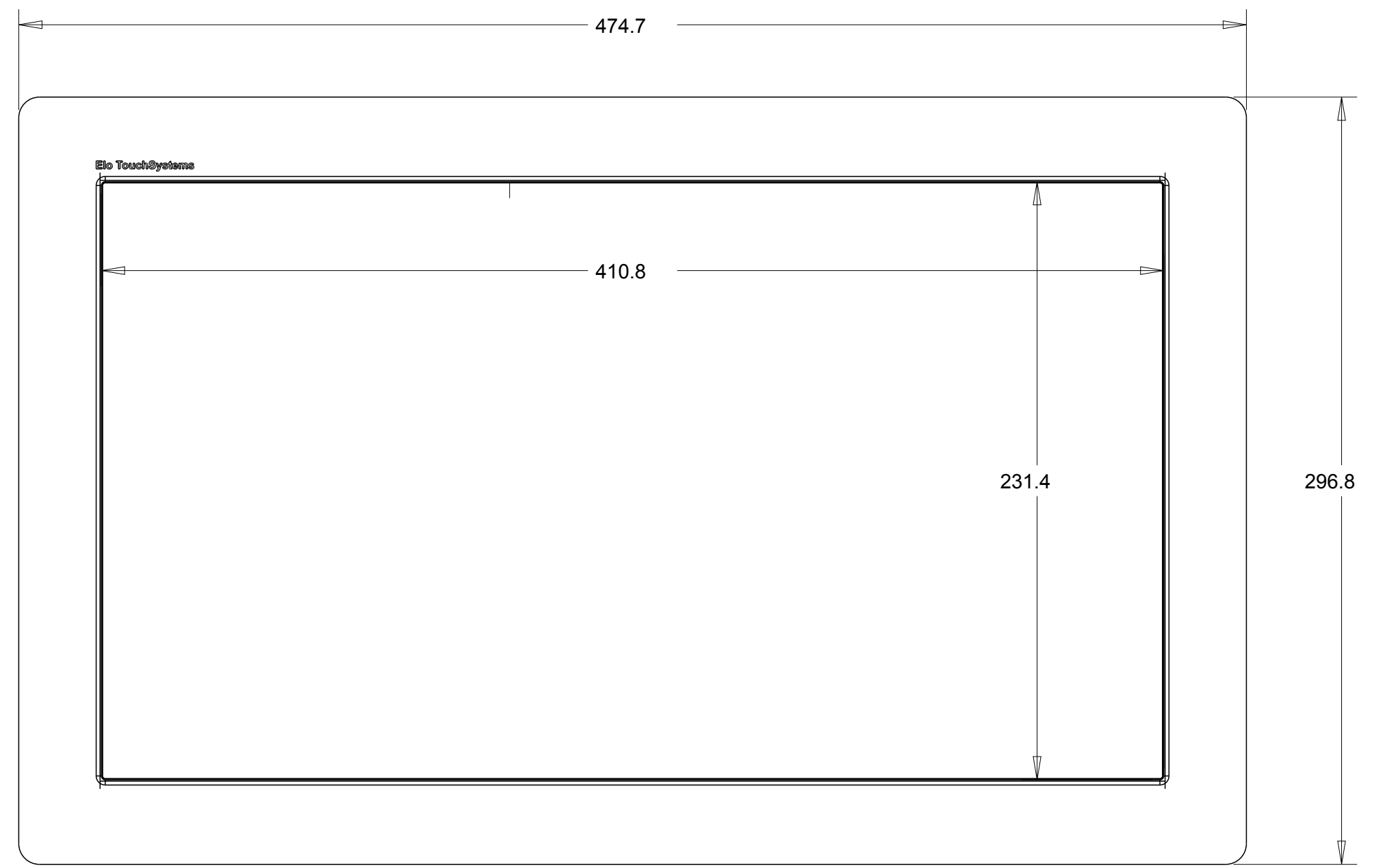
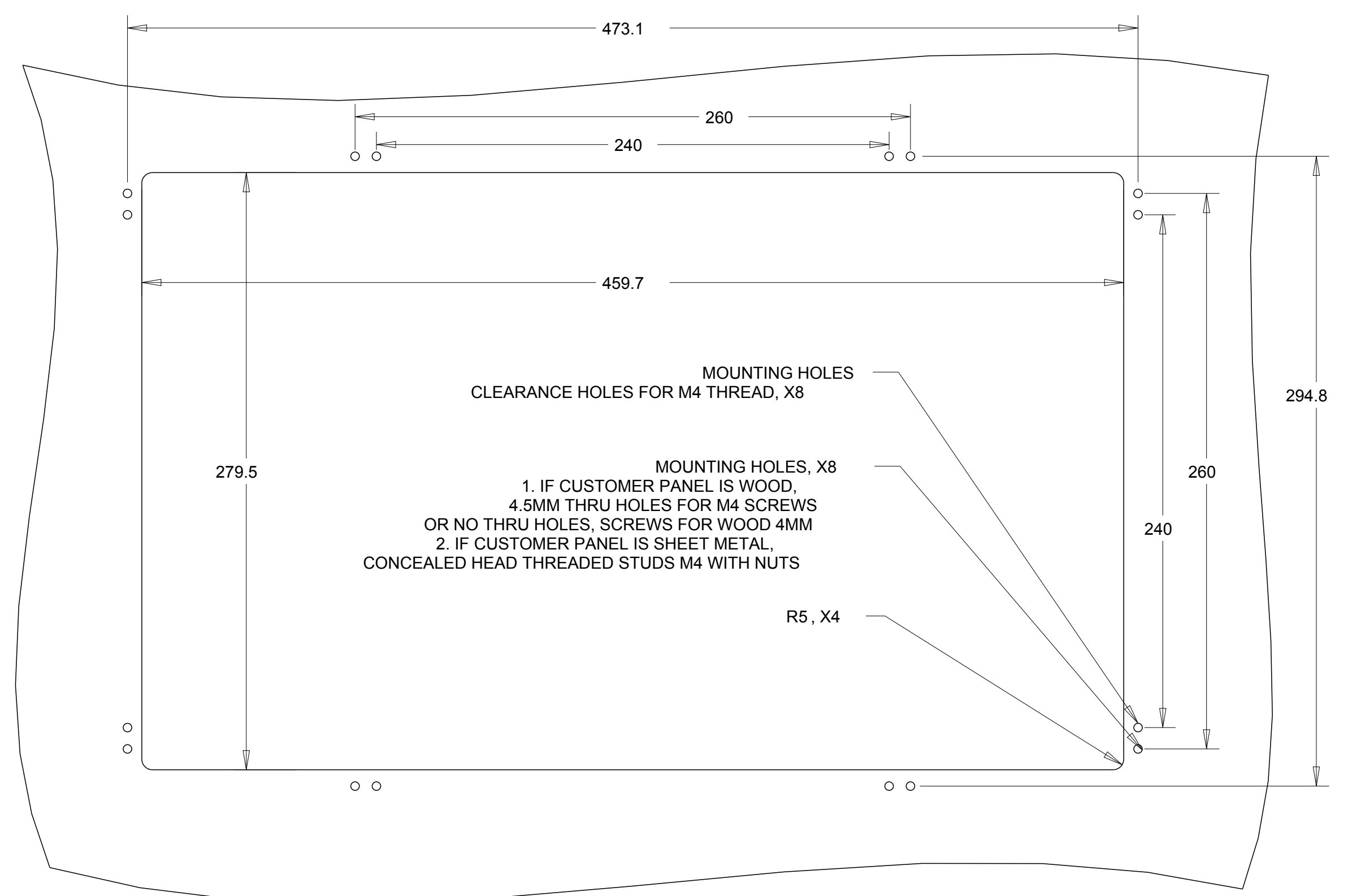
DWG. NO. MS601158

PROPRIETARY TO ELO TOUCH SOLUTIONS, INC. AND SHALL NOT BE DISCLOSED OTHER THAN TO NECESSARY EMPLOYEES OR SUPPLIERS WITHOUT THE EXPRESS WRITTEN CONSENT OF ELO TOUCH SOLUTIONS, INC.

REVISIONS					
REV	ZONE	BY	DESCRIPTION	DATE	APPROVED
			SEE SHEET ONE		

**OPTIONAL INTELLITOUCH PLUS FRONT MOUNT BEZEL KIT, P/N E941898**  
**ORDERED SEPARATELY, CUSTOMER ASSEMBLED**  
**(NOT FOR PROJECTED CAPACITIVE TOUCHMONITORS)**

**RECOMMENDED CUSTOMER PANEL CUTOUT**



ITEM NO.	QTY REQ'D	DRAWING OR PART NO.	DESCRIPTION	MATERIAL SPECIFICATION
PARTS LIST				
PART. NO. <b>MS601158</b>		DRAWN KEN NORTH		DATE 00.00.00
METRIC		CHECK		DATE
DO NOT SCALE DRAWING		DESIGN KEN NORTH		DATE 00.00.00
ProfE.prt/asm: 1940_TLA.PRT		THIRD ANGLE PROJECTION		
ProfE.dwg: MS601158_REV8.DRW				
SIZE D	SCALE 1:2	SHEET 4 OF 6	DWG. NO. MS601158	REV B

TITLE  
**DIMENSIONAL DRAWING**  
 1940L

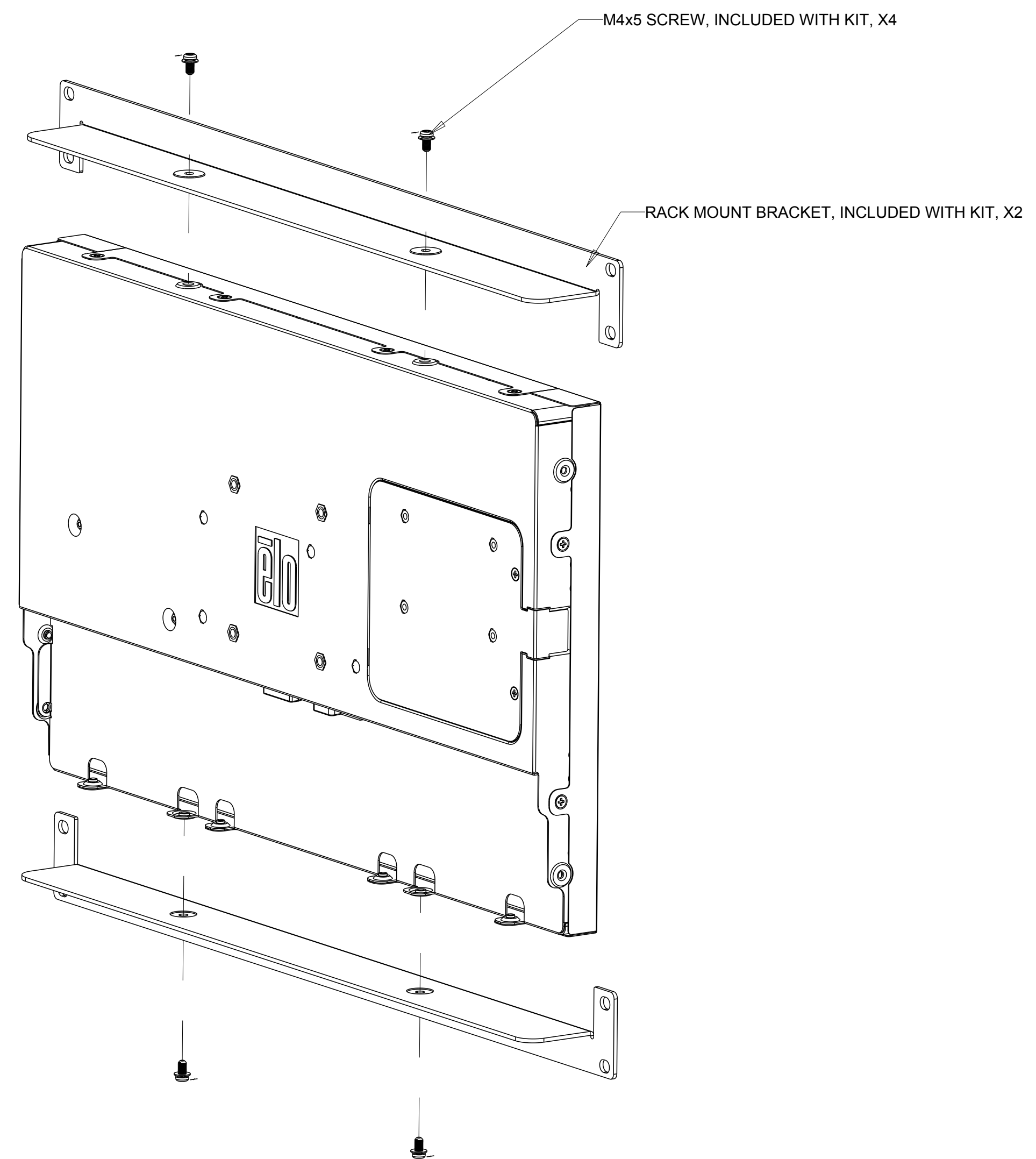
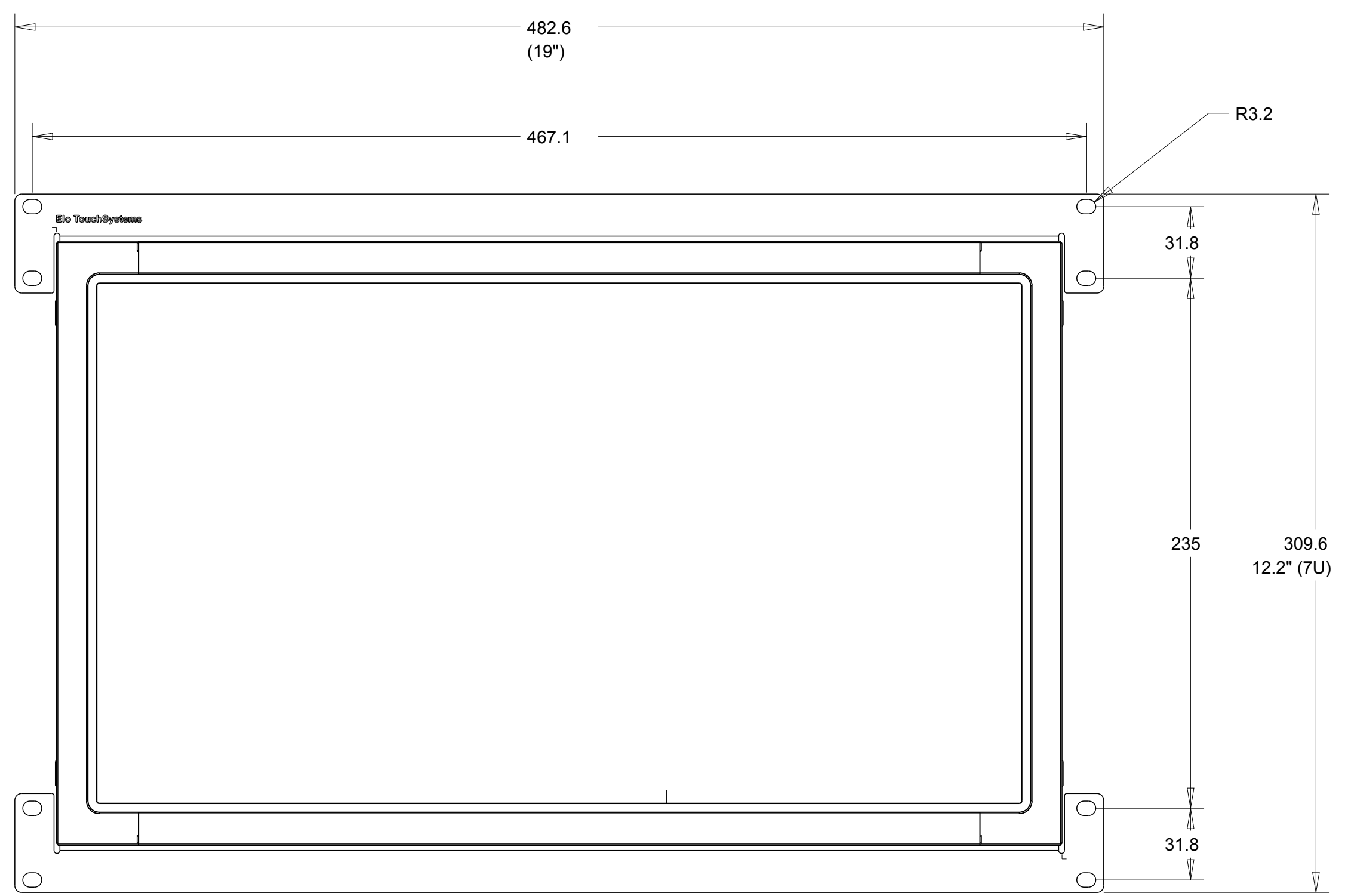


DWG. NO. MS601158

PROPRIETARY TO ELO TOUCH SOLUTIONS, INC. AND SHALL NOT BE DISCLOSED OTHER THAN TO NECESSARY EMPLOYEES OR SUPPLIERS WITHOUT THE EXPRESS WRITTEN CONSENT OF ELO TOUCH SOLUTIONS, INC.

REVISIONS					
REV	ZONE	BY	DESCRIPTION	DATE	APPROVED
			SEE SHEET ONE		

**OPTIONAL INTELLITOUCH PLUS RACK MOUNT KIT, P/N E343109**  
**ORDERED SEPARATELY, CUSTOMER ASSEMBLED**  
**(NOT FOR PROJECTED CAPACITIVE TOUCHMONITORS)**



1. MONITOR IS ORIENTED IN LANDSCAPE MODE
2. REQUIRES 7U AVAILABLE RACK SPACE
3. MOUNTING HOLE SPACING PER EIA-310-D
4. ADDITIONAL MOUNTING SCREWS (NOT INCLUDED) REQUIRED TO FASTEN MONITOR INTO RACK

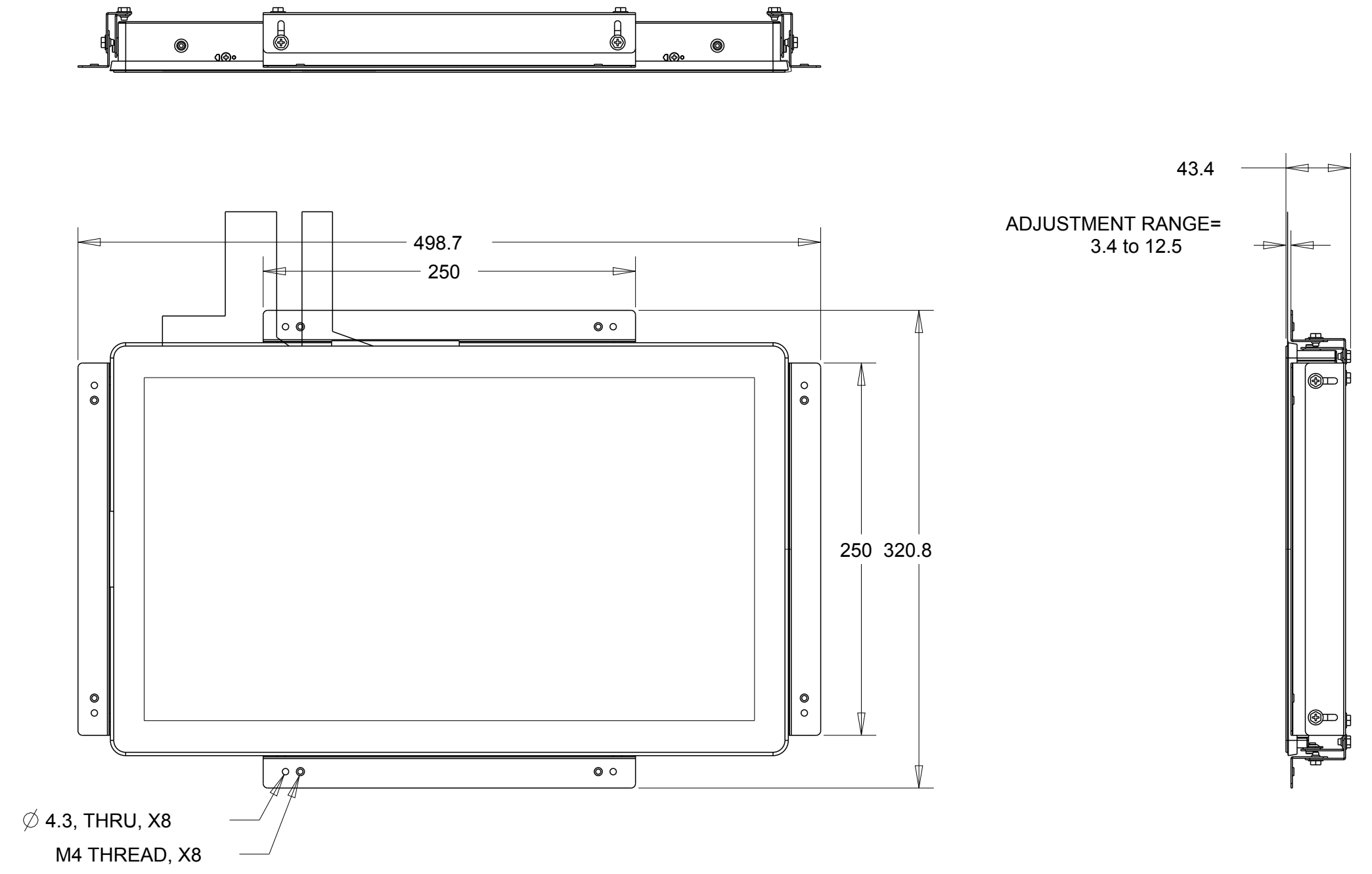
ITEM NO.	QTY REQ'D	DRAWING OR PART NO.	DESCRIPTION	MATERIAL SPECIFICATION
PARTS LIST				
PART. NO. <b>MS601158</b>		DRAWN KEN NORTH		DATE 00.00.00
METRIC		CHECK		DATE
DO NOT SCALE DRAWING		DESIGN KEN NORTH		DATE 00.00.00
THIRD ANGLE PROJECTION				
TOLERANCES ARE:		TITLE DIMENSIONAL DRAWING 1940L		
DECIMALS	ANGLES			
X ±: 0.50	± 1/ 2"			
.X ±: 0.25	FRACTIONS ± 1/ 32			
XX ±: 0.13	± 1/ 32	SIZE D	SCALE 1:2	SHEET 5 OF 6
ProfE prt/asm: 1940_TLA.PRT		DWG. NO. <b>MS601158</b>		REV <b>B</b>
ProfE .dwt: MS601158_REV.B.DRW				

DWG. NO. MS601158

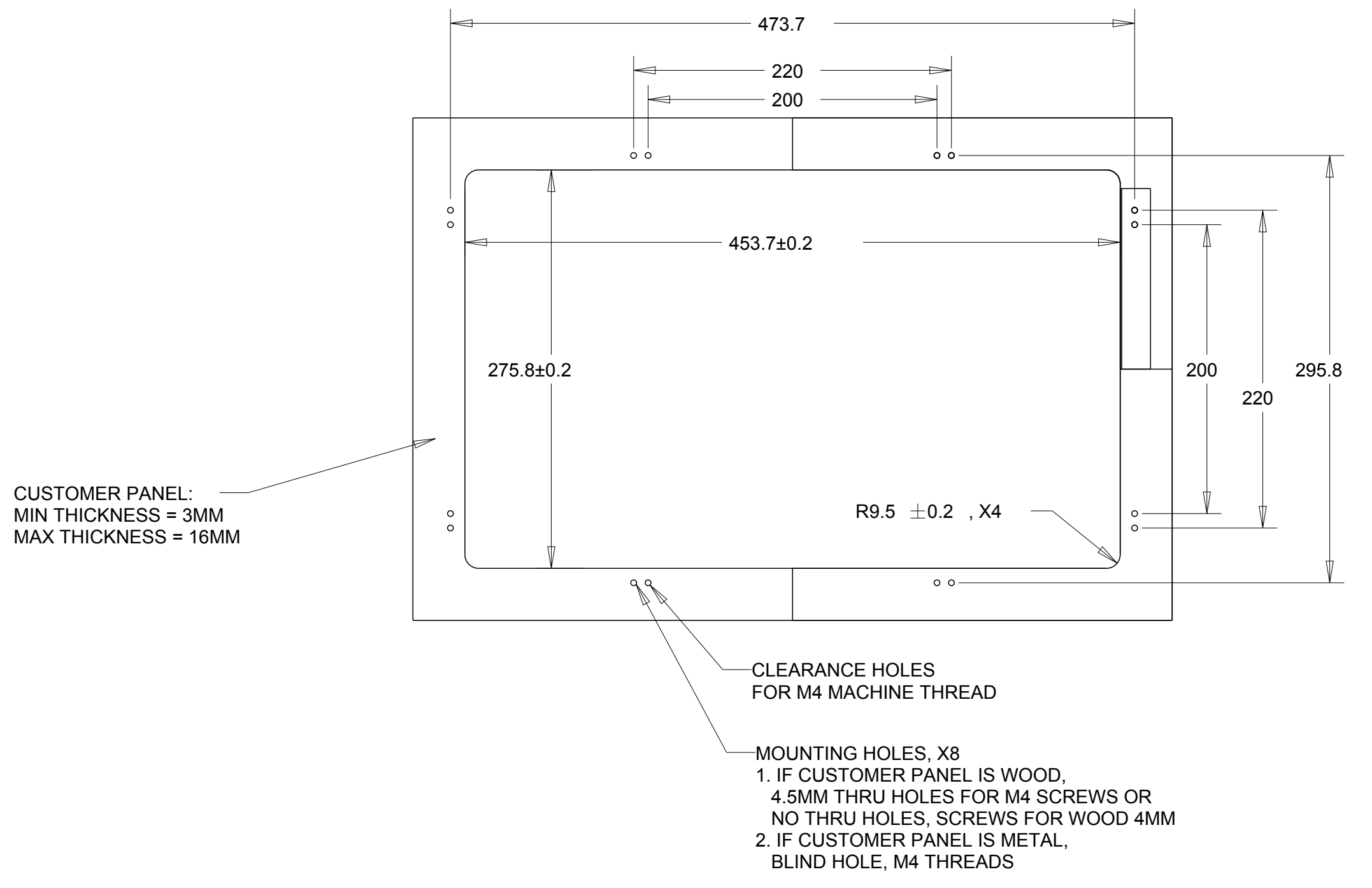
PROPRIETARY TO ELO TOUCH SOLUTIONS, INC. AND SHALL NOT BE DISCLOSED OTHER THAN TO NECESSARY EMPLOYEES OR SUPPLIERS WITHOUT THE EXPRESS WRITTEN CONSENT OF ELO TOUCH SOLUTIONS, INC.

REVISIONS					
REV	ZONE	BY	DESCRIPTION	DATE	APPROVED
			SEE SHEET ONE		

**OPTIONAL PROJECTED CAPACITIVE FLUSHMOUNT KIT, P/N E925445**  
**ORDERED SEPARATELY, CUSTOMER ASSEMBLED**  
**(NOT FOR INTELLITOUCH PLUS TOUCHMONITORS)**

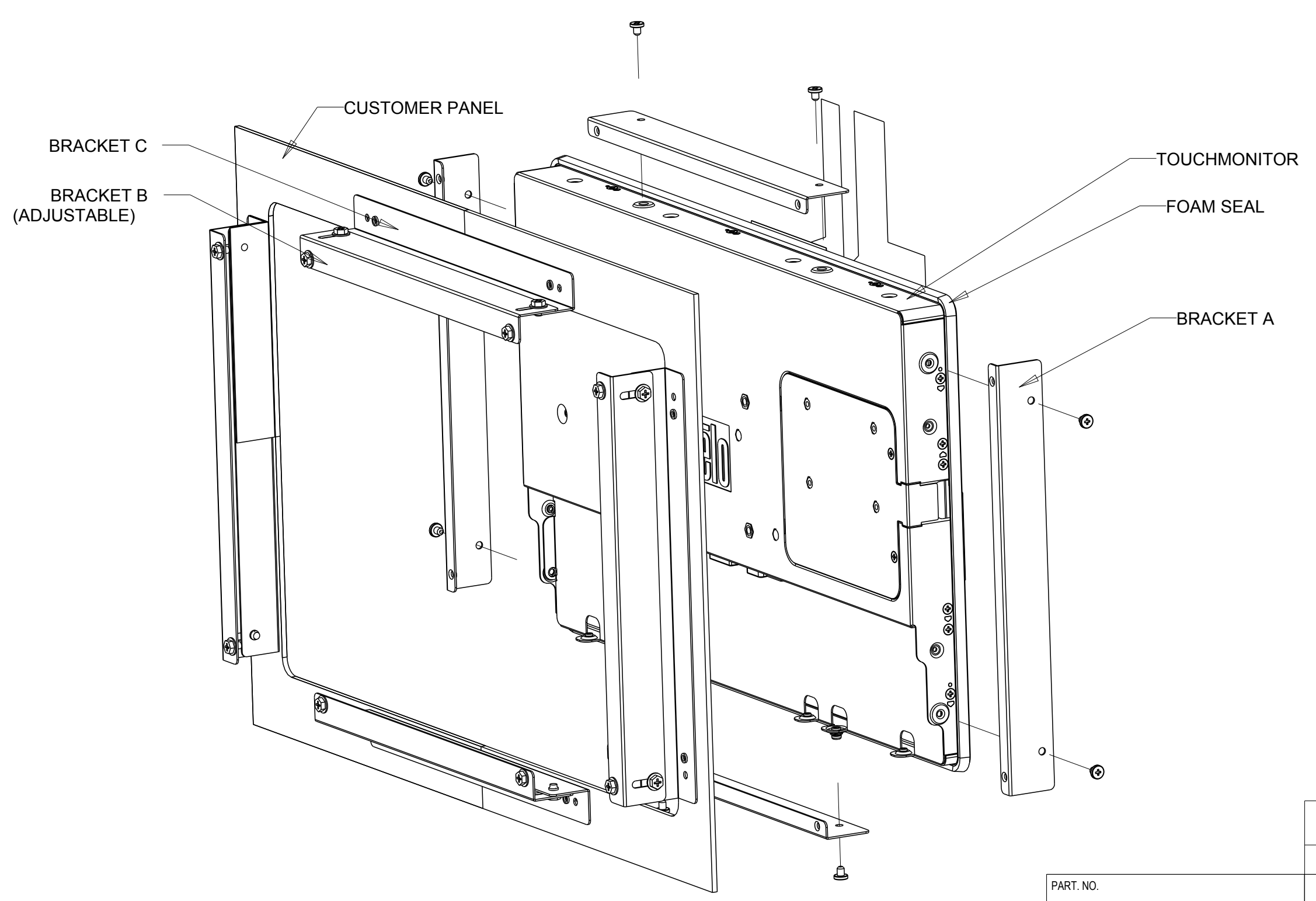
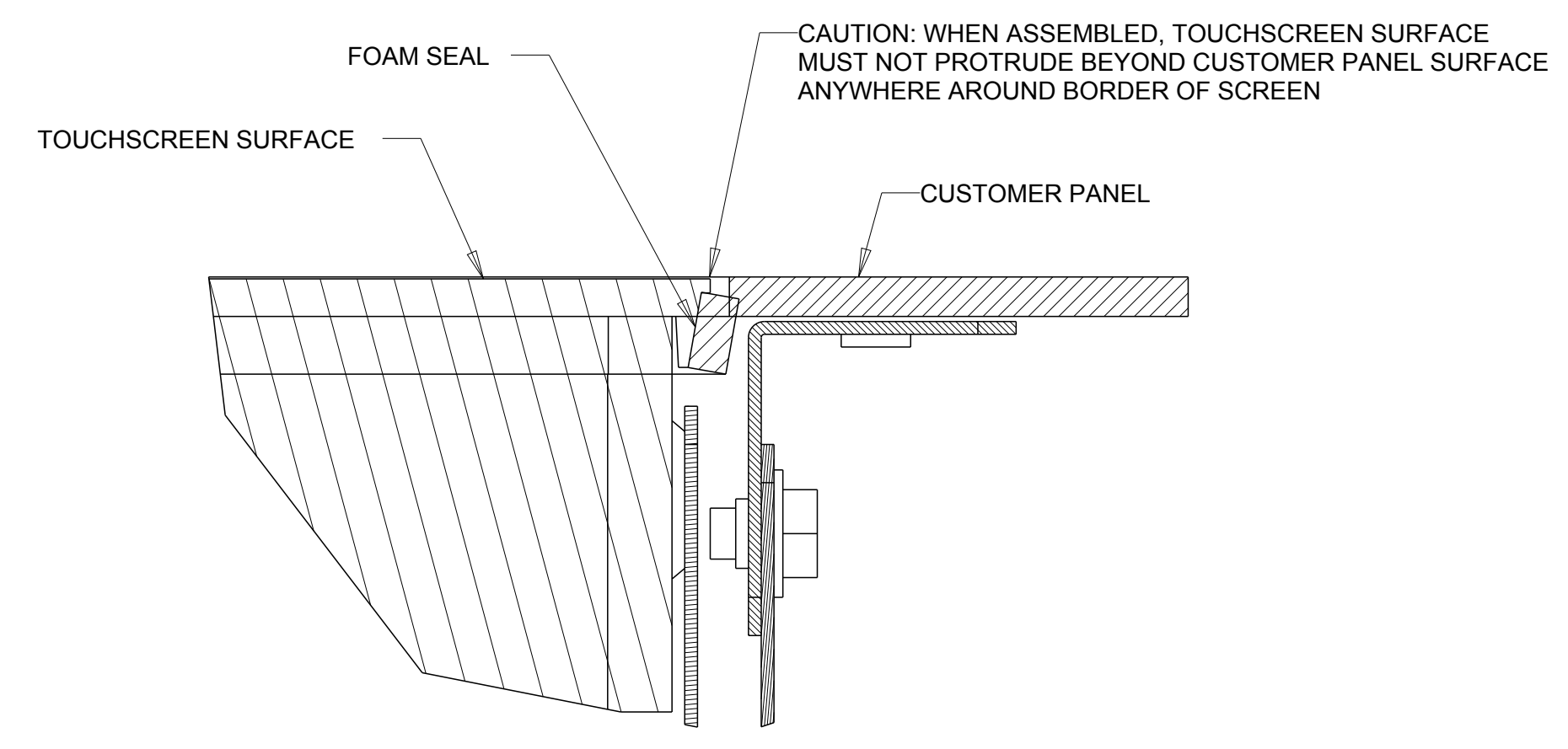


**RECOMMENDED CUSTOMER PANEL CUTOUT**



**INSTALLATION NOTES:**

1. ATTACH BRACKET "A" TO TOUCHMONITOR WITH M4 LOW PROFILE SCREWS (INCLUDED)
2. ATTACH BRACKET "C" TO CUSTOMER PANEL PER DRAWING
3. ATTACH BRACKET "B" TO BRACKET "C" WITH M4 HEX HEAD SCREWS (INCLUDED)
4. ADJUST DEPTH OF BRACKET "B" SO MONITOR IS FLUSH WITH CUSTOMER PANEL.
5. PLACE TOUCHMONITOR INTO CUSTOMER PANEL OPENING TAKING CARE NOT TO DAMAGE FOAM SEAL
6. SECURE TOUCHMONITOR TO BRACKET "B" FROM BEHIND WITH M4 HEX HEAD SCREWS (INCLUDED)



ITEM NO.	QTY REQ'D	DRAWING OR PART NO.	DESCRIPTION	MATERIAL SPECIFICATION
PARTS LIST				
PART. NO. MS601158		UNLESS OTHERWISE SPECIFIED ALL DIMENSIONS ARE IN MILLIMETERS	DRAWN KEN NORTH CHECK DATE 00.00.00	TITLE DIMENSIONAL DRAWING 1940L
METRIC		TOLERANCES ARE: DECIMALS ±1/2" ANGLES ±1/2° FRACTIONS ±1/32	DESIGN KEN NORTH DATE 00.00.00	<b>elo</b> TOUCH SOLUTIONS
DO NOT SCALE DRAWING		THIRD ANGLE PROJECTION	SIZE D SCALE 3:10 SHEET 6 OF 6 DWG. NO. MS601158 REV B	
ProfE.prt.asm: 1940_TLA.PRT ProfE.dwg: MS601158_REV.B.DRW				