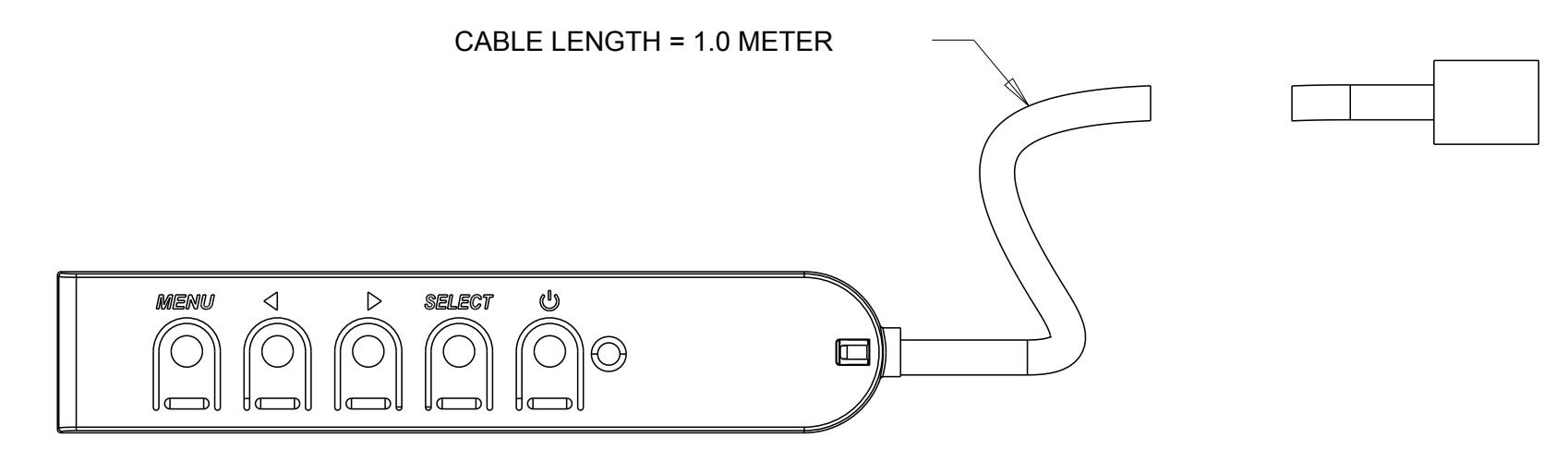
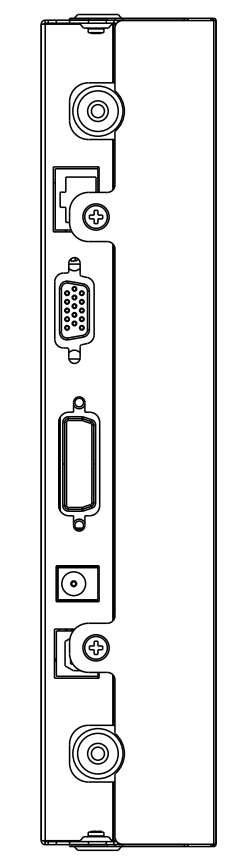
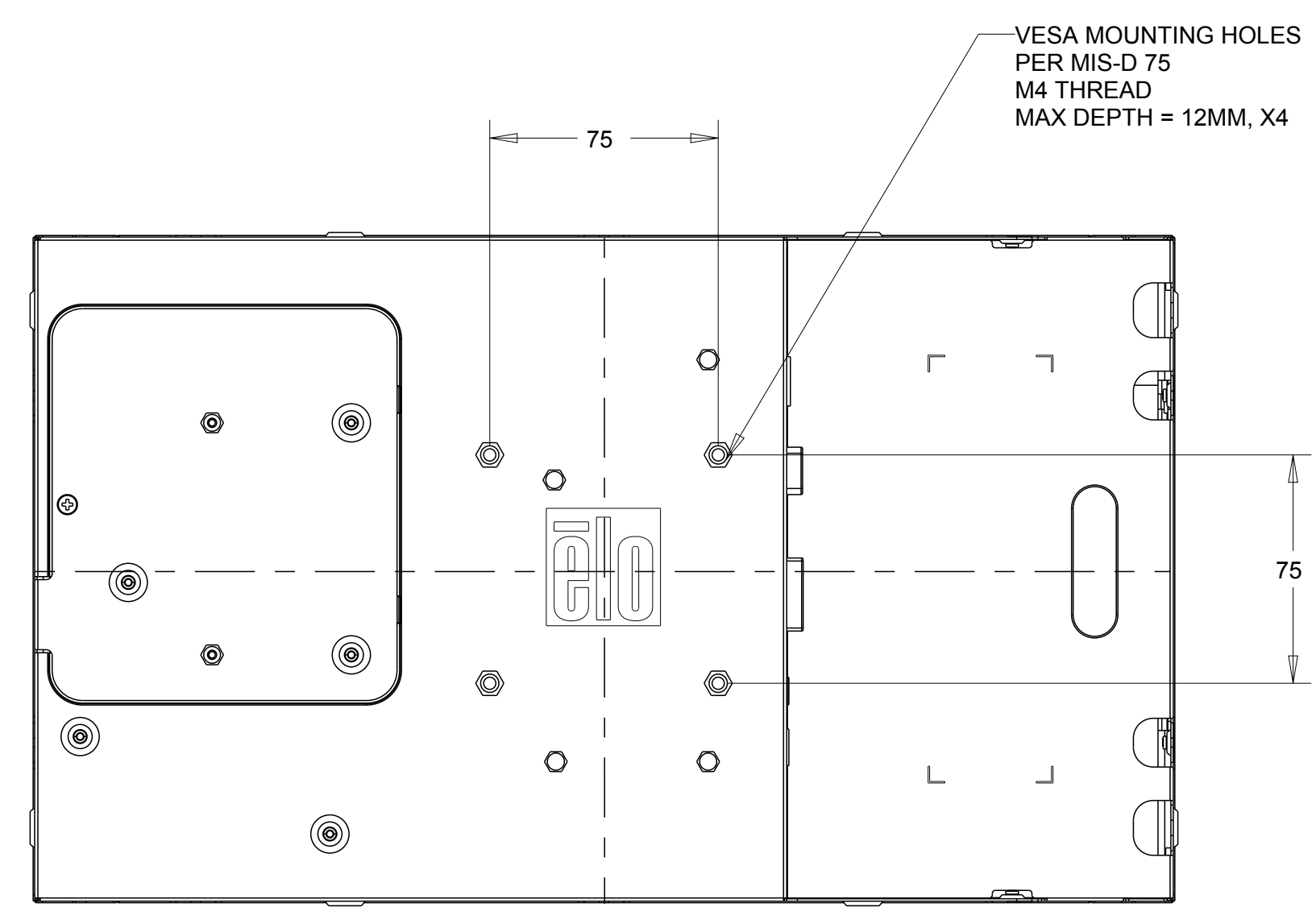
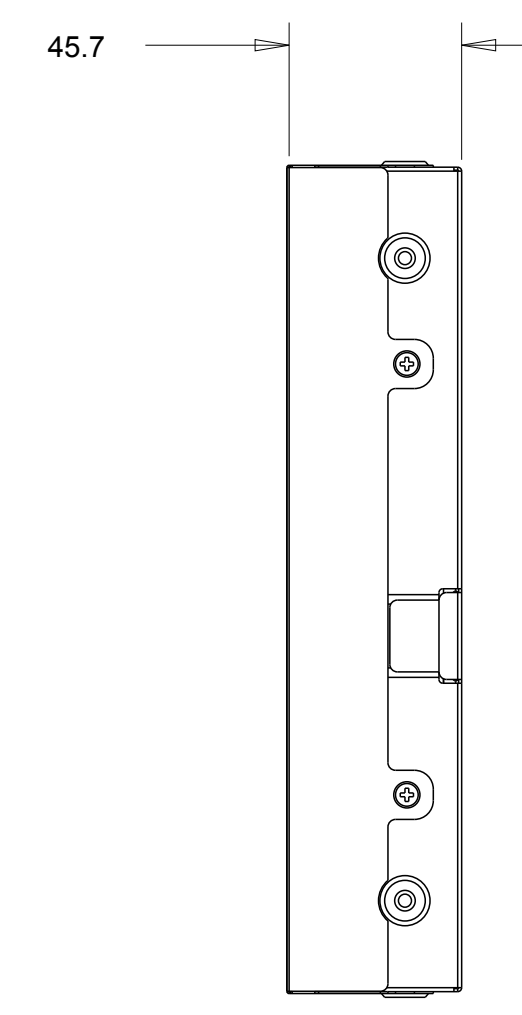
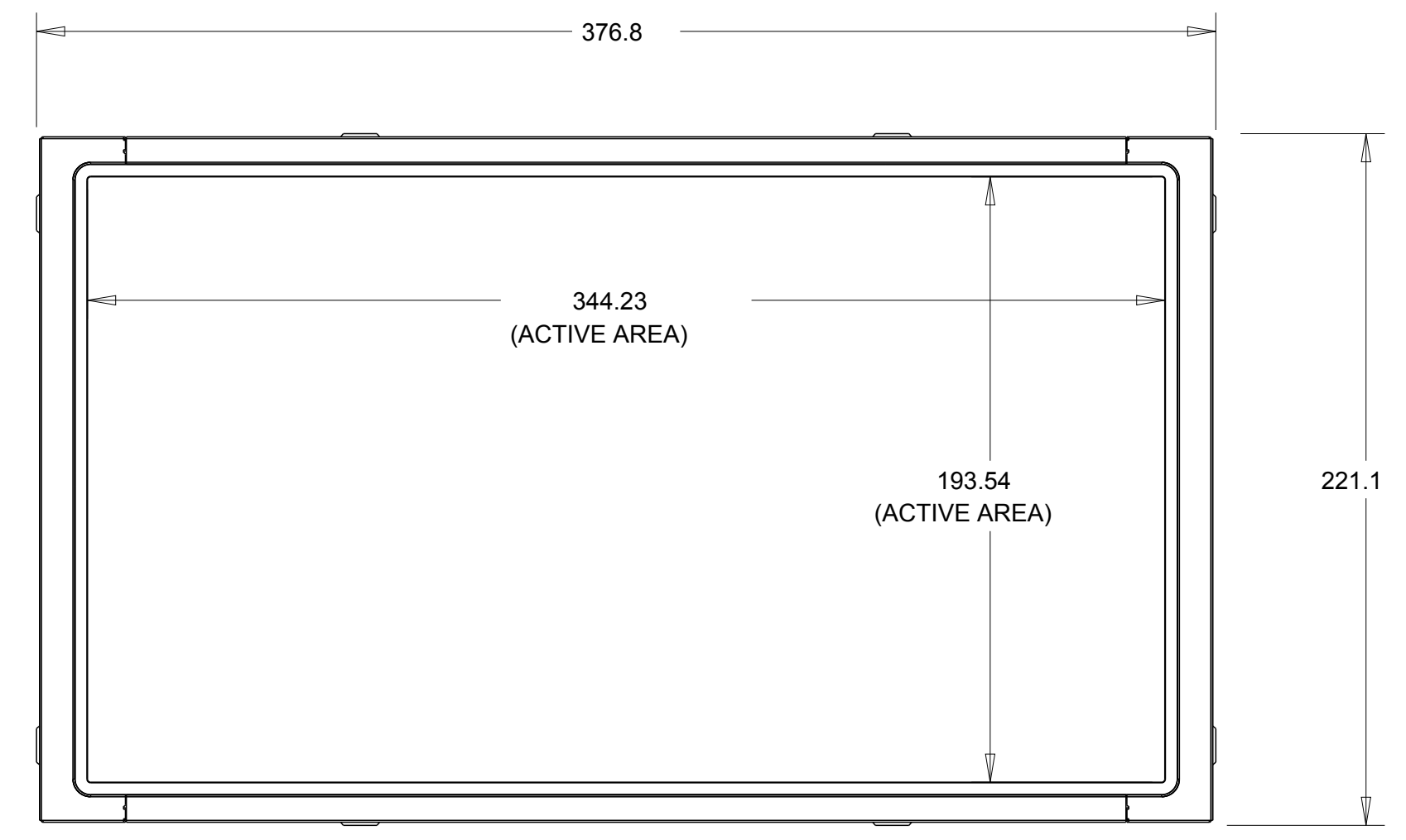
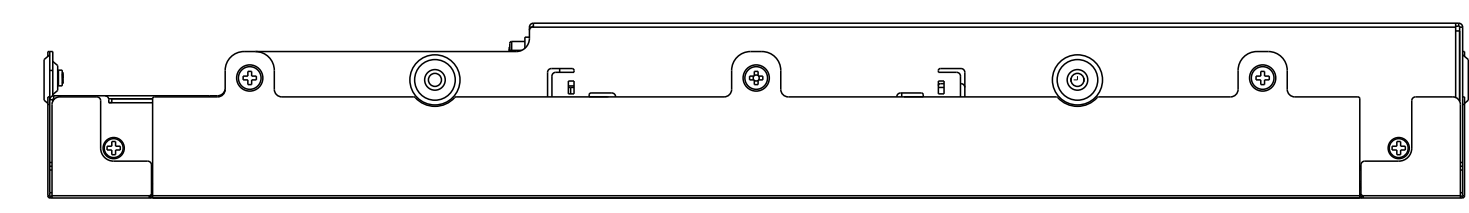
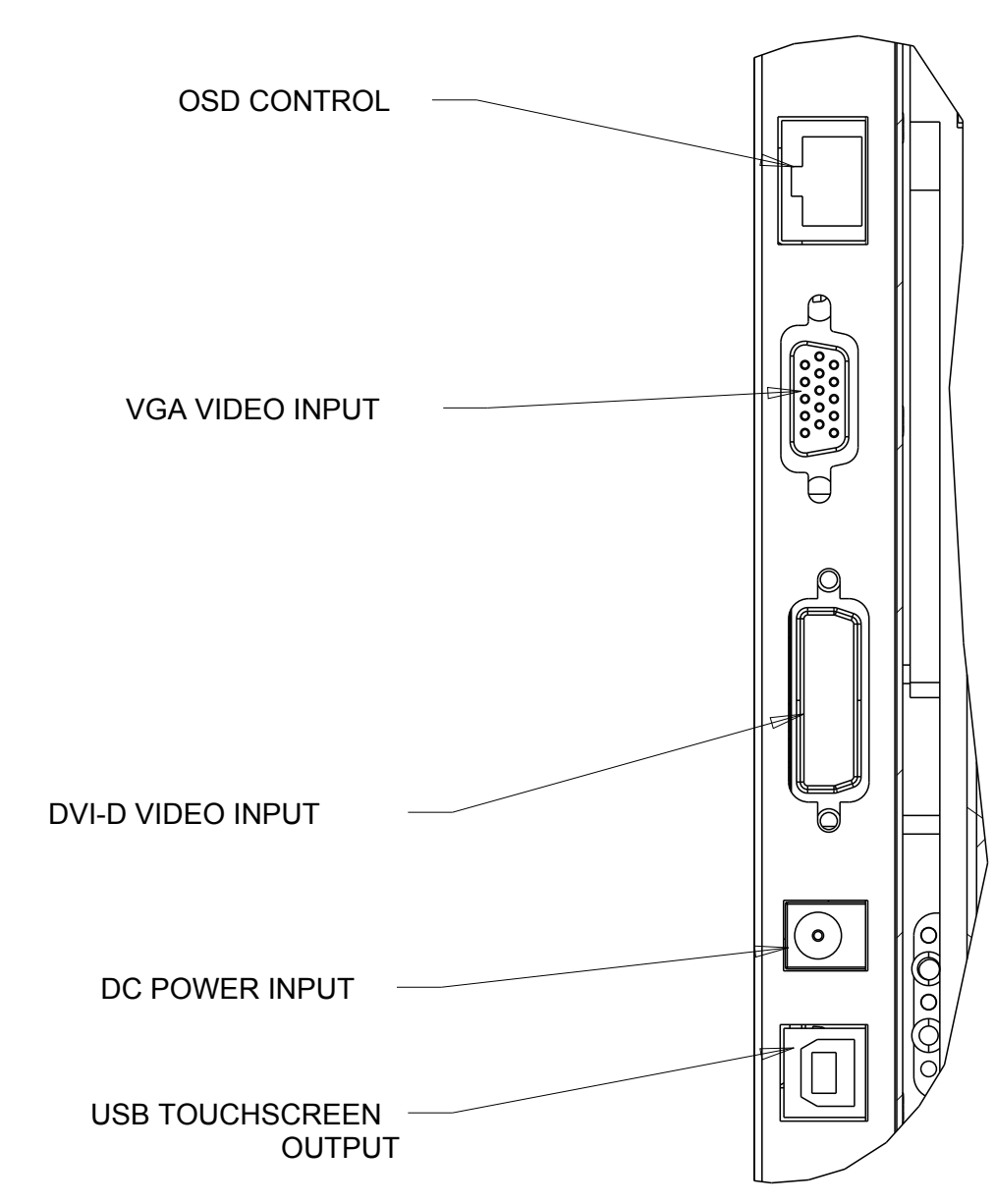


PROPRIETARY TO ELO TOUCH SOLUTIONS, INC. AND SHALL NOT BE DISCLOSED OTHER THAN TO NECESSARY EMPLOYEES OR SUPPLIERS WITHOUT THE EXPRESS WRITTEN CONSENT OF ELO TOUCH SOLUTIONS INC.

REVISIONS					
REV	ZONE	BY	DESCRIPTION	DATE	APPROVED
A	--	KJN	INITIAL RELEASE	01/20/12	
B	--	DI	REVISED PER ECO-014540 ELO TITLE BLOCK WAS TE	08/31/12	



OPTIONAL OSD REMOTE
P/N E483757

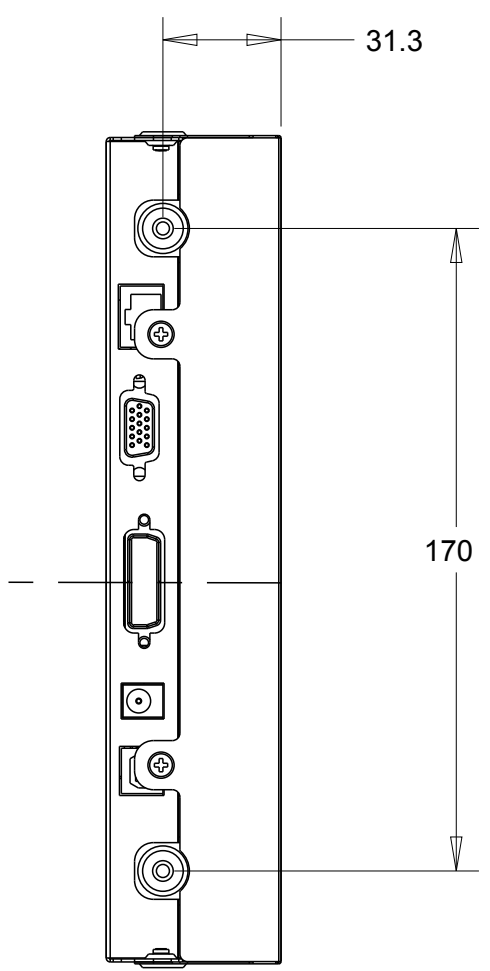
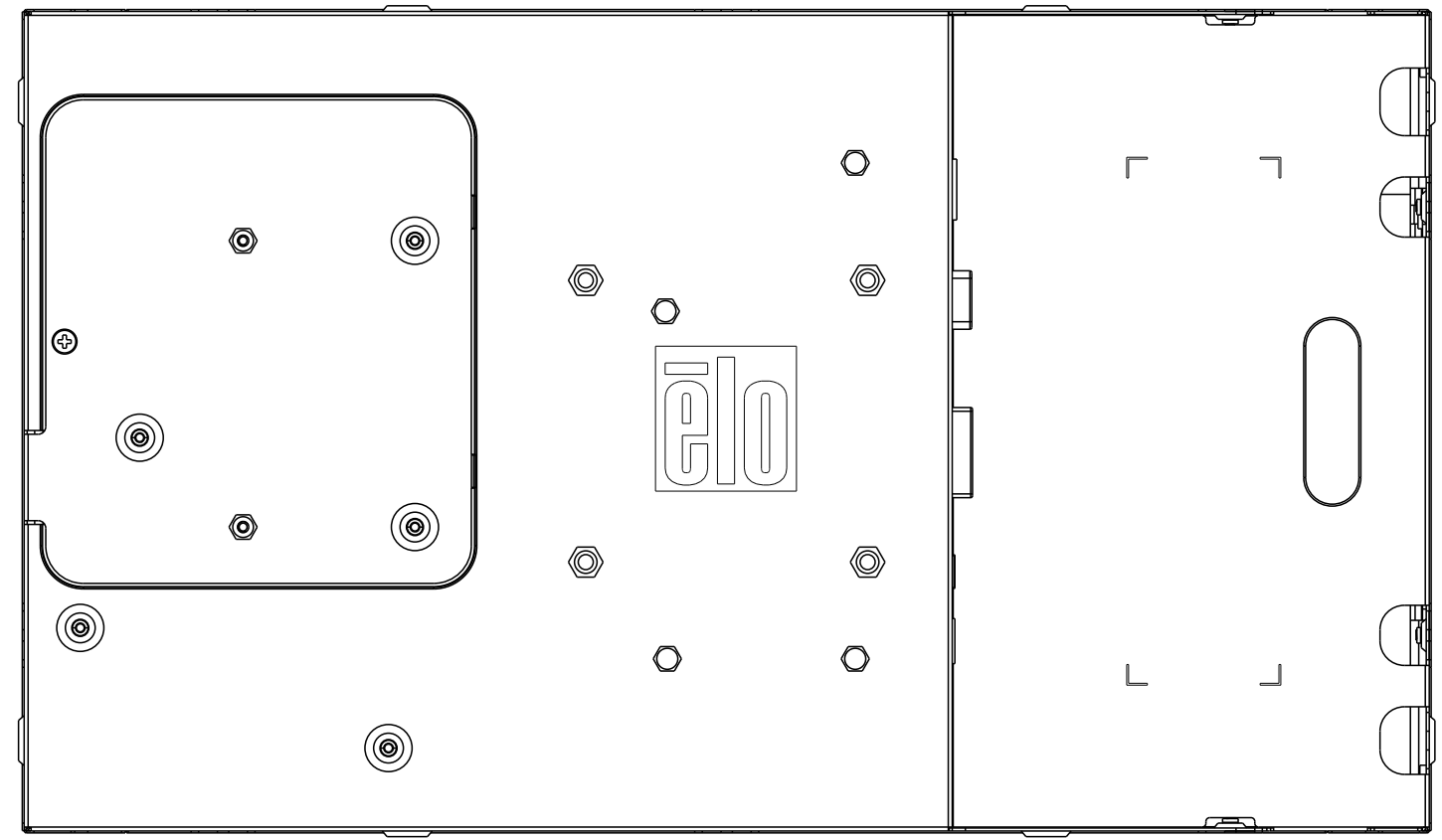


ITEM NO.	QTY REQ'D	DRAWING OR PART NO.	DESCRIPTION	MATERIAL SPECIFICATION
PARTS LIST				
PART. NO.		UNLESS OTHERWISE SPECIFIED ALL DIMENSIONS ARE IN MILLIMETERS	DRAWN KEN NORTH	DATE 00.00.00
METRIC		TOLERANCES ARE:	CHECK	DATE
DO NOT SCALE DRAWING		DECIMALS ±1/2 ²	DESIGN	DATE
		ANGLES ±1/2 ²	KEN NORTH	00.00.00
		FRACTIONS ±1/32	THIRD ANGLE PROJECTION	
ProfE .prt/asm: 1541_FRONT_MOUNT_BEZEL.PRT				SIZE D
ProfE .dwt: MS601148_REV.B.DRW		SCALE 1:4	SHEET 1 OF 5	DWG. NO. MS601148
				REV B

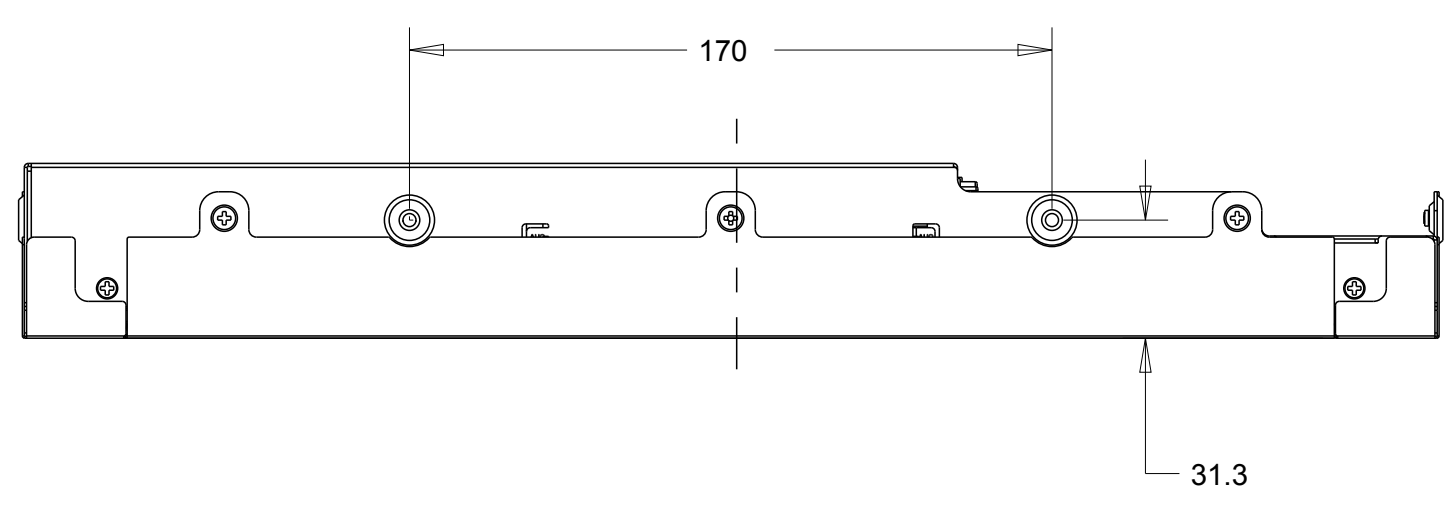
DWG. NO. MS601148

8
 PROPRIETARY TO ELO TOUCH SOLUTIONS, INC. AND SHALL NOT BE DISCLOSED OTHER THAN TO NECESSARY EMPLOYEES OR SUPPLIERS WITHOUT THE EXPRESS WRITTEN CONSENT OF ELO TOUCH SOLUTIONS, INC.

REVISIONS					
REV	ZONE	BY	DESCRIPTION	DATE	APPROVED
			SEE SHEET ONE		



SIDE MOUNT, VERTICAL (LEFT AND RIGHT)



SIDE MOUNT, HORIZONTAL (TOP AND BOTTOM)

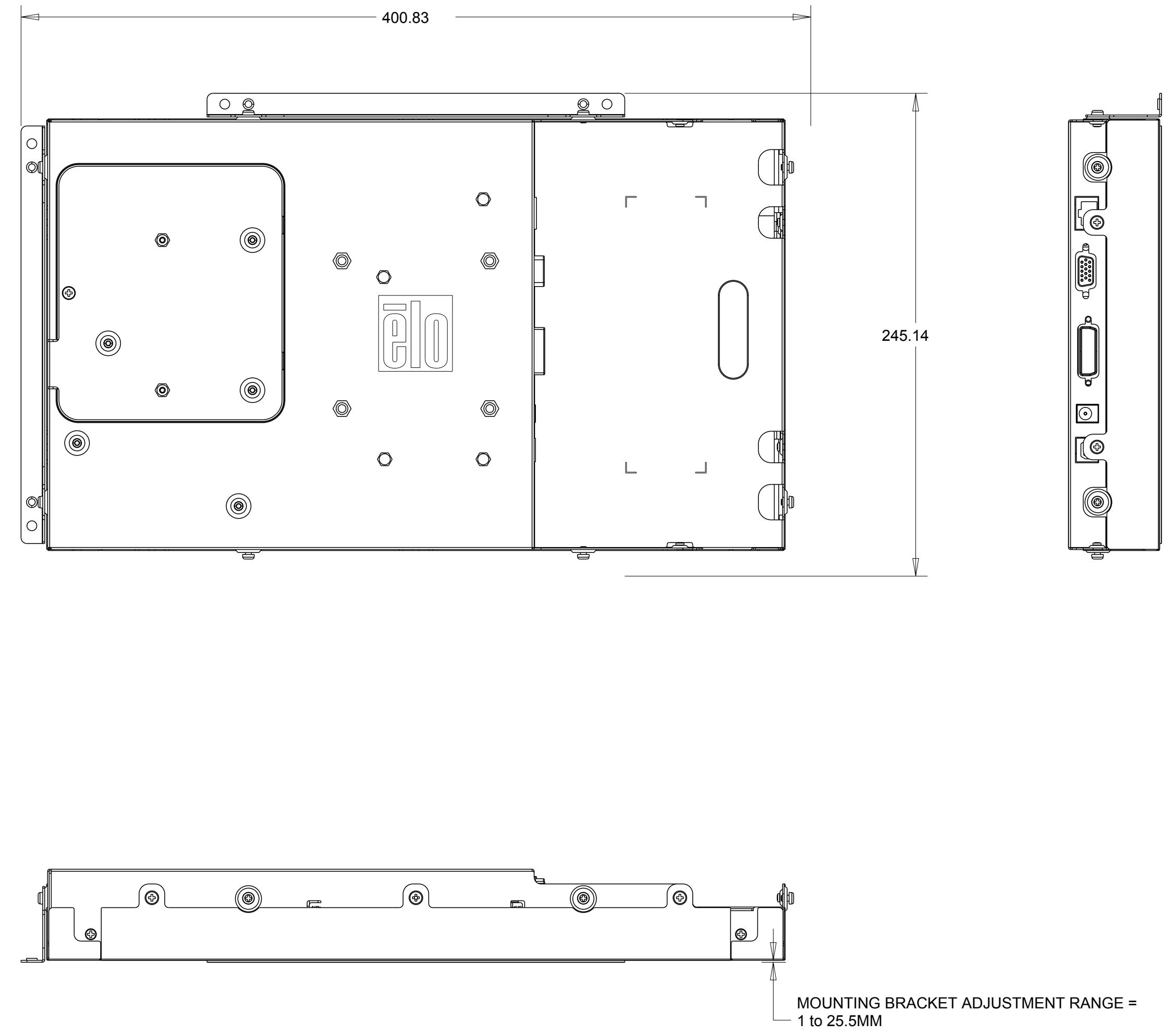
ITEM NO.	QTY REQ'D	DRAWING OR PART NO.	DESCRIPTION	MATERIAL SPECIFICATION
PARTS LIST				
PART. NO.	UNLESS OTHERWISE SPECIFIED ALL DIMENSIONS ARE IN MILLIMETERS	DRAWN KEN NORTH	DATE 00.00.00	TITLE
METRIC	TOLERANCES ARE: DECIMALS ANGLES X ±: 0.50 ±1/2 ° X ±: 0.25 FRACTIONS XX ±: 0.13 ±1/32	CHECK	DATE	DIMENSIONAL DRAWING 1514L
DO NOT SCALE DRAWING		DESIGN KEN NORTH	DATE 00.00.00	
ProfE prt/asm: 1541_FRONT_MOUNT_BEZEL.PRT ProfE drw: MS601148_REV8.DRW				THIRD ANGLE PROJECTION
SIZE	SCALE	SHEET	DWG. NO.	REV
D	1:4	2 OF 5	MS601148	B

SHEET 2 OF 5
 REV B
 DWG. NO. MS601148

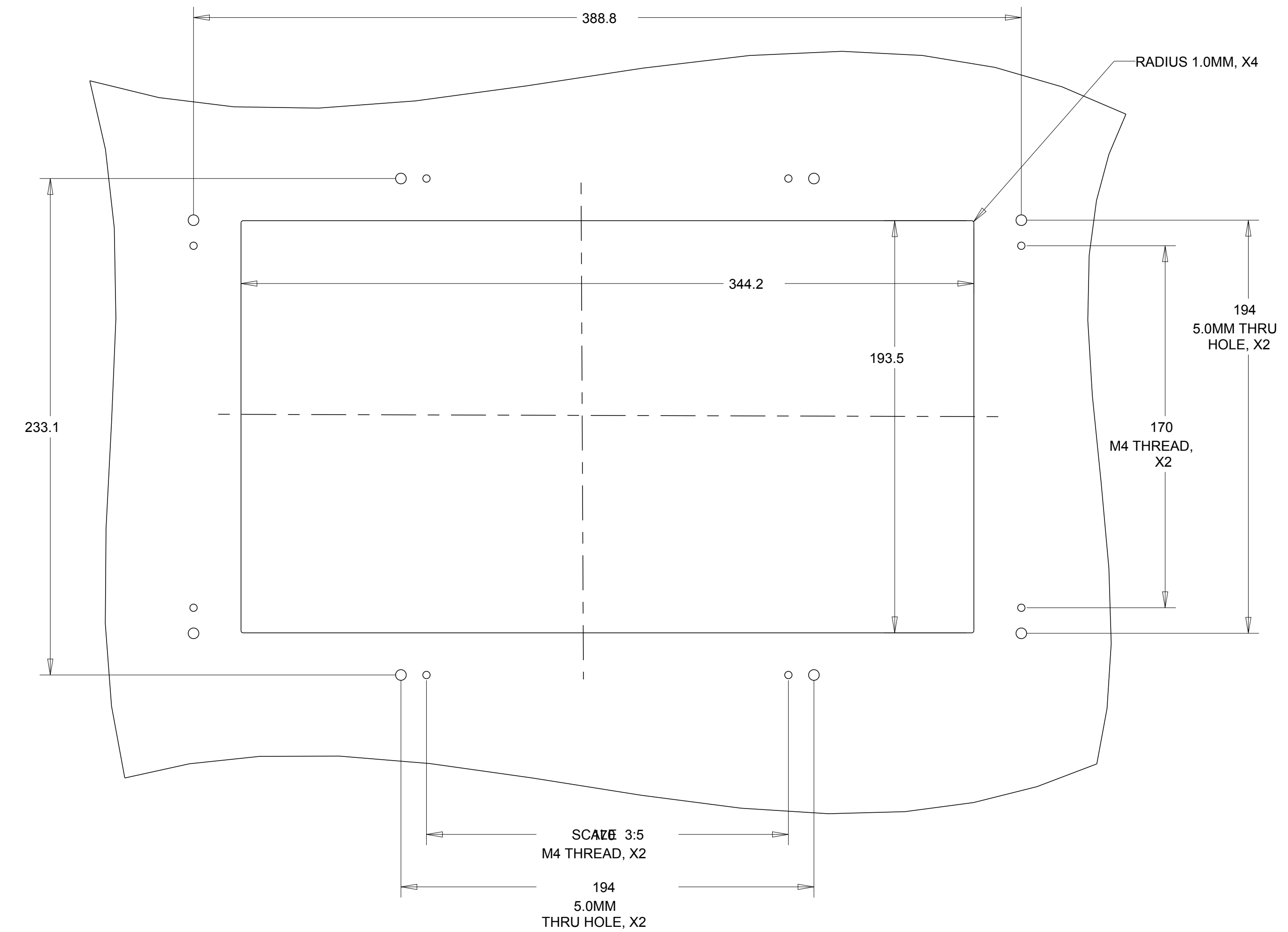
PROPRIETARY TO ELO TOUCH SOLUTIONS, INC. AND SHALL NOT BE DISCLOSED OTHER THAN TO NECESSARY EMPLOYEES OR SUPPLIERS WITHOUT THE EXPRESS WRITTEN CONSENT OF ELO TOUCH SOLUTIONS, INC.

REVISIONS					
REV	ZONE	BY	DESCRIPTION	DATE	APPROVED
			SEE SHEET ONE		

**MOUNTING WITH ADJUSTABLE BRACKETS
(4 PROVIDED)**



**RECOMMENDED CUSTOMER
PANEL CUTOUT**



ITEM NO.	QTY REQ'D	DRAWING OR PART NO.	DESCRIPTION	MATERIAL SPECIFICATION
PARTS LIST				
PART. NO.	UNLESS OTHERWISE SPECIFIED ALL DIMENSIONS ARE IN MILLIMETERS	DRAWN KEN NORTH	DATE 00.00.00	TITLE
METRIC	TOLERANCES ARE: DECIMALS ±1/2° ANGLES ±1/2° FRACTIONS ±1/32	CHECK	DATE	DIMENSIONAL DRAWING 1514L
DO NOT SCALE DRAWING		DESIGN KEN NORTH	DATE 00.00.00	
1541_FRONT_MOUNT_BEZEL.PRT				
MS601148_REV.B.DRW				
SIZE	SCALE	SHEET	DWG. NO.	REV
D	1:4	3 OF 5	MS601148	B

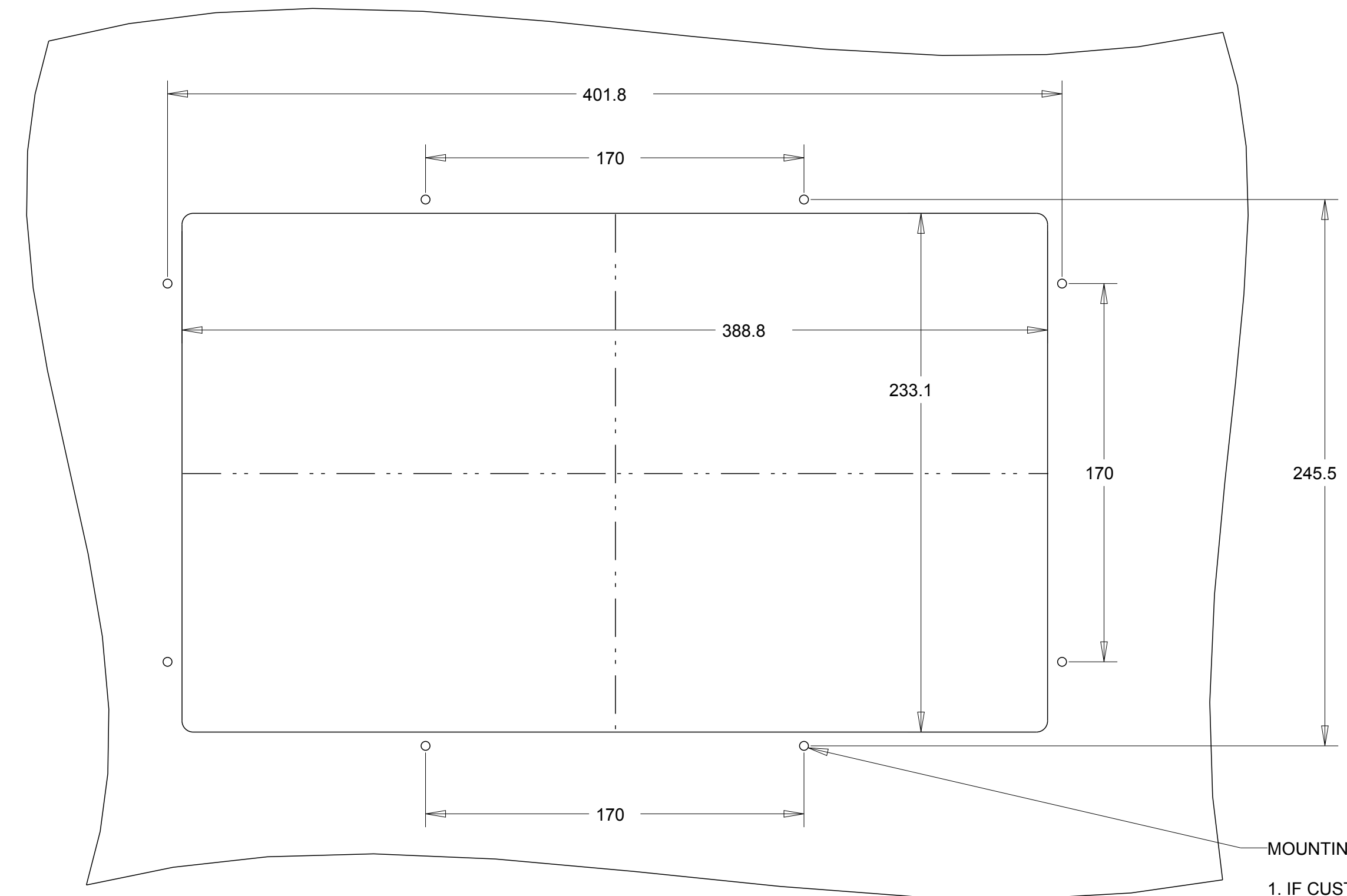
DWG. NO. MS601148

PROPRIETARY TO ELO TOUCH SOLUTIONS, INC. AND SHALL NOT BE DISCLOSED OTHER THAN TO NECESSARY EMPLOYEES OR SUPPLIERS WITHOUT THE EXPRESS WRITTEN CONSENT OF ELO TOUCH SOLUTIONS, INC.

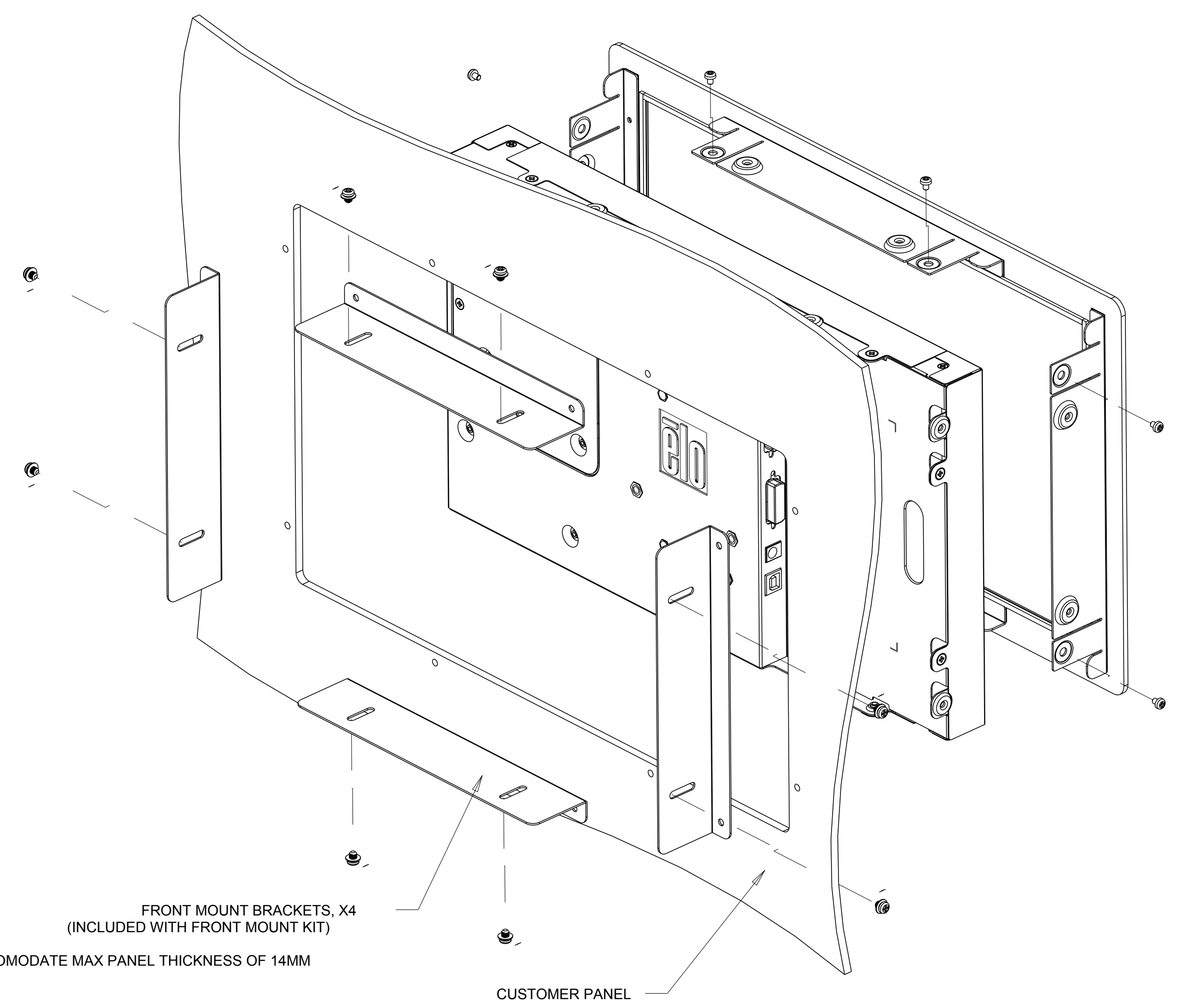
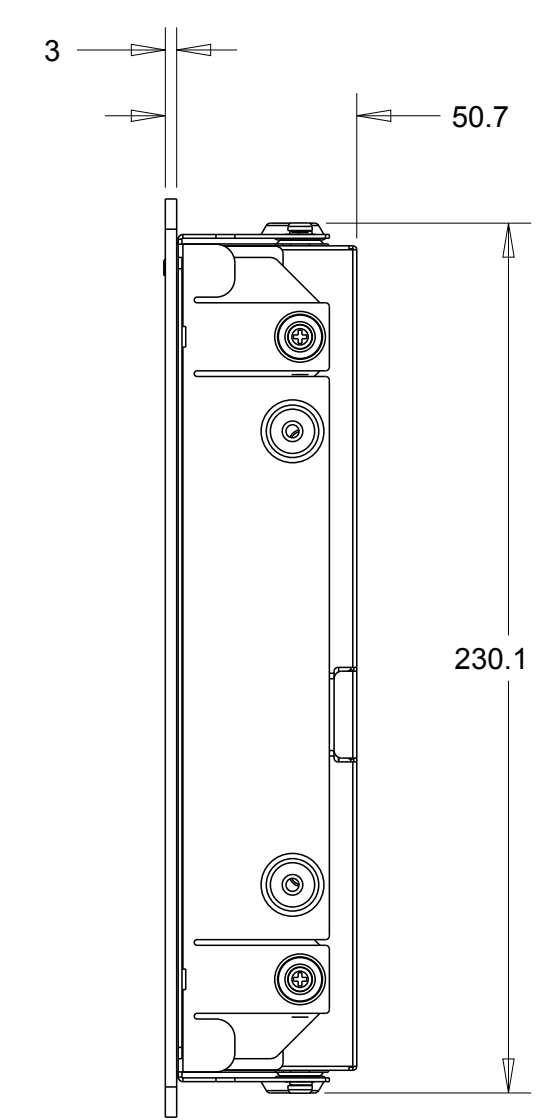
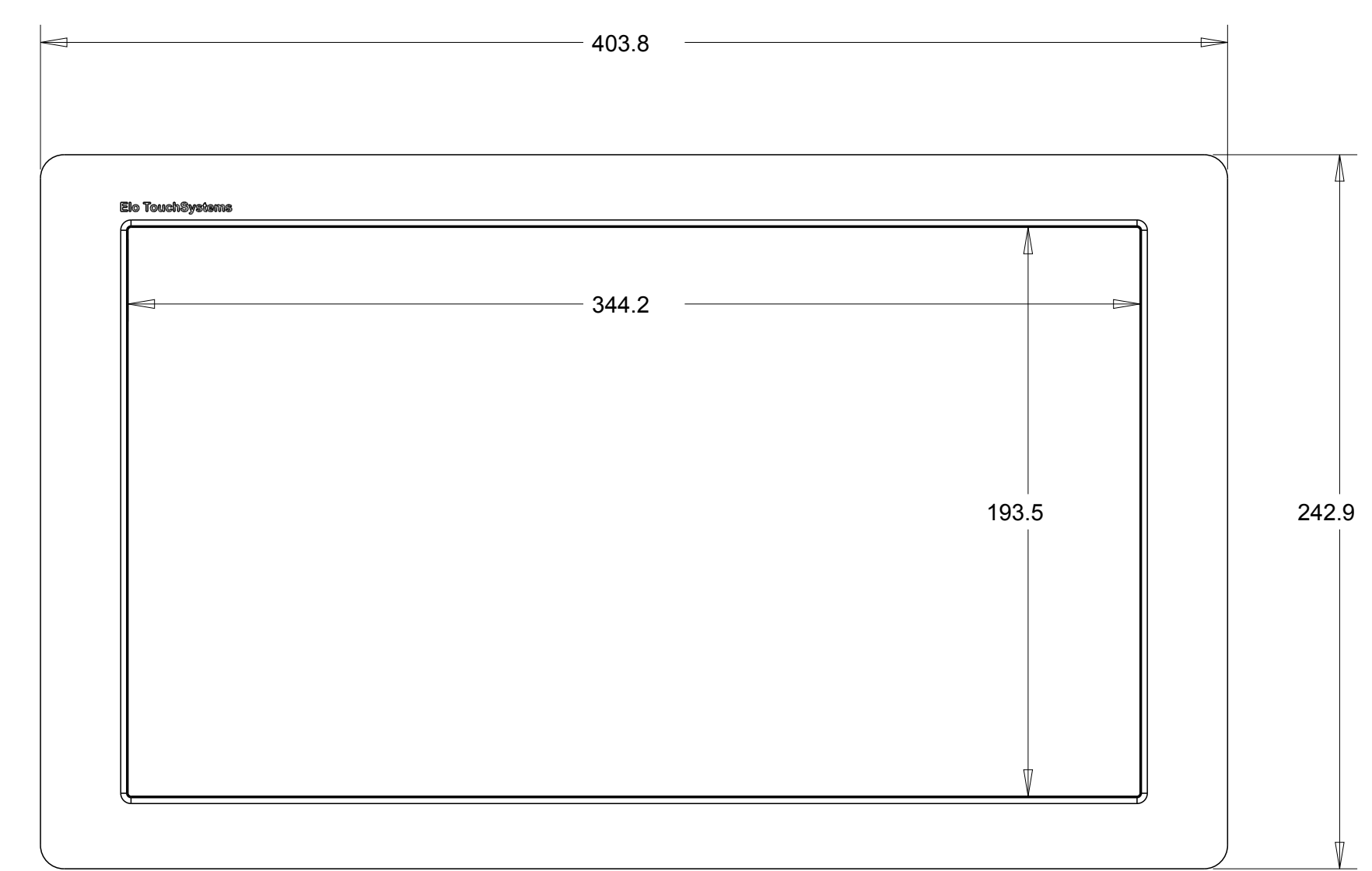
REVISIONS					
REV	ZONE	BY	DESCRIPTION	DATE	APPROVED
			SEE SHEET ONE		

**OPTIONAL FRONT MOUNT BEZEL KIT, P/N E711274
ORDERED SEPARATELY, CUSTOMER ASSEMBLED**

RECOMMENDED CUSTOMER PANEL CUTOUT



- MOUNTING HOLES, X8**
- IF CUSTOMER PANEL IS WOOD,
Ø4.5MM THRU HOLES FOR M4 SCREWS
OR NO THRU HOLES, SCREWS FOR WOOD Ø4MM
 - IF CUSTOMER PANEL IS SHEET METAL,
CONCEALED HEAD THREADED STUDS M4 WITH NUTS



- FRONT MOUNT BRACKETS, X4
(INCLUDED WITH FRONT MOUNT KIT)**
- BRACKETS ACCOMMODATE MAX PANEL THICKNESS OF 14MM

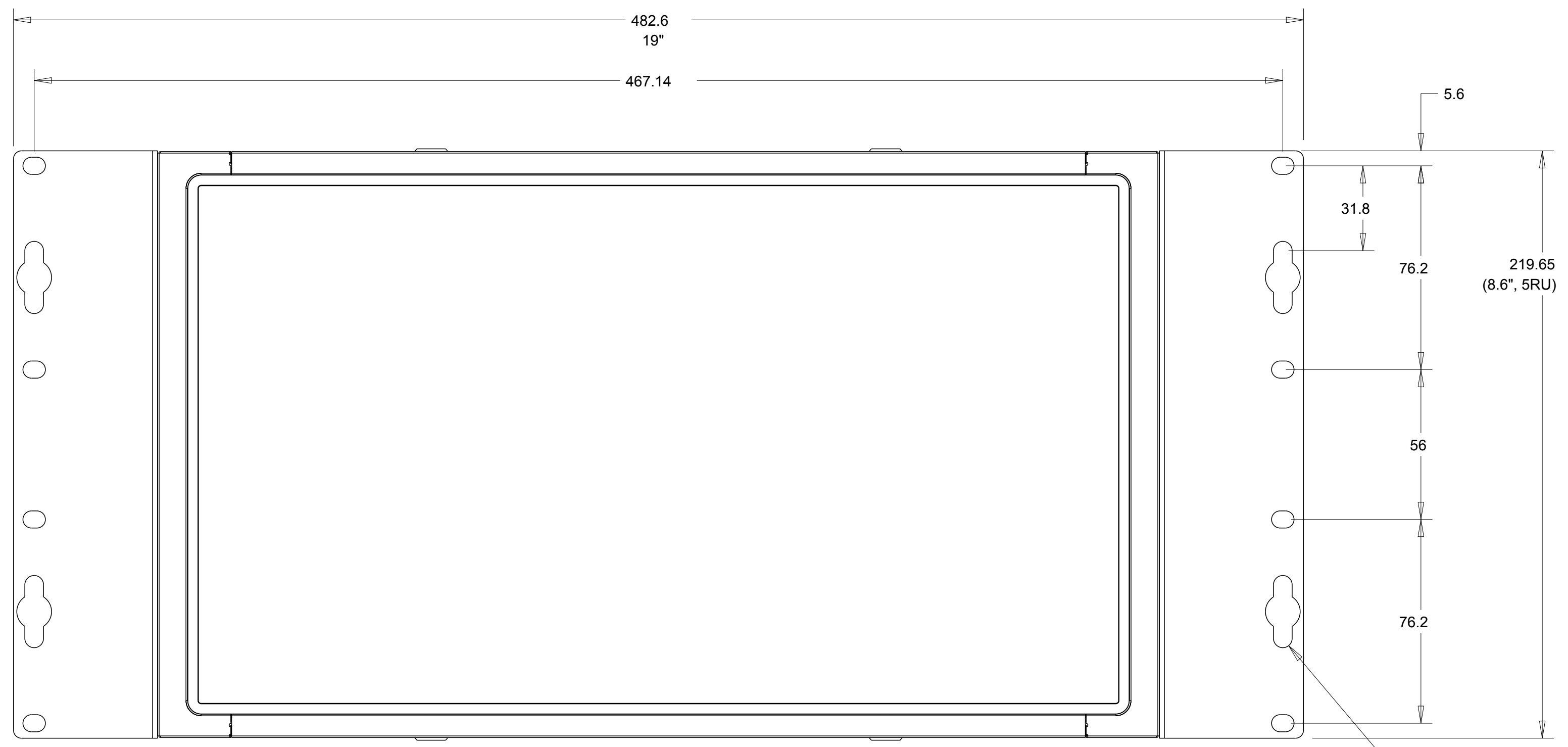
ITEM NO.	QTY REQ'D	DRAWING OR PART NO.	DESCRIPTION	MATERIAL SPECIFICATION
PARTS LIST				
PART. NO.		DRAWN		TITLE
UNLESS OTHERWISE SPECIFIED ALL DIMENSIONS ARE IN MILLIMETERS		KEN NORTH		DIMENSIONAL DRAWING
TOLERANCES ARE:		CHECK		
DECIMALS		DATE		
X ±: 0.50		KEN NORTH		1514L
X ±: 0.25		DATE		
XX ±: 0.13		00.00.00		THIRD ANGLE PROJECTION
		00.00.00		
DO NOT SCALE DRAWING				
ProfE prt/asm: 1541_FRONT_MOUNT_BEZEL.PRT				
ProfE drw: MS601148_REV.B.DRW				
SIZE	SCALE	SHEET	DWG. NO.	REV
D	1:4	4 OF 5	MS601148	B

DWG. NO. MS601148 REV. B

PROPRIETARY TO ELO TOUCH SOLUTIONS, INC. AND SHALL NOT BE DISCLOSED OTHER THAN TO NECESSARY EMPLOYEES OR SUPPLIERS WITHOUT THE EXPRESS WRITTEN CONSENT OF ELO TOUCH SOLUTIONS, INC.

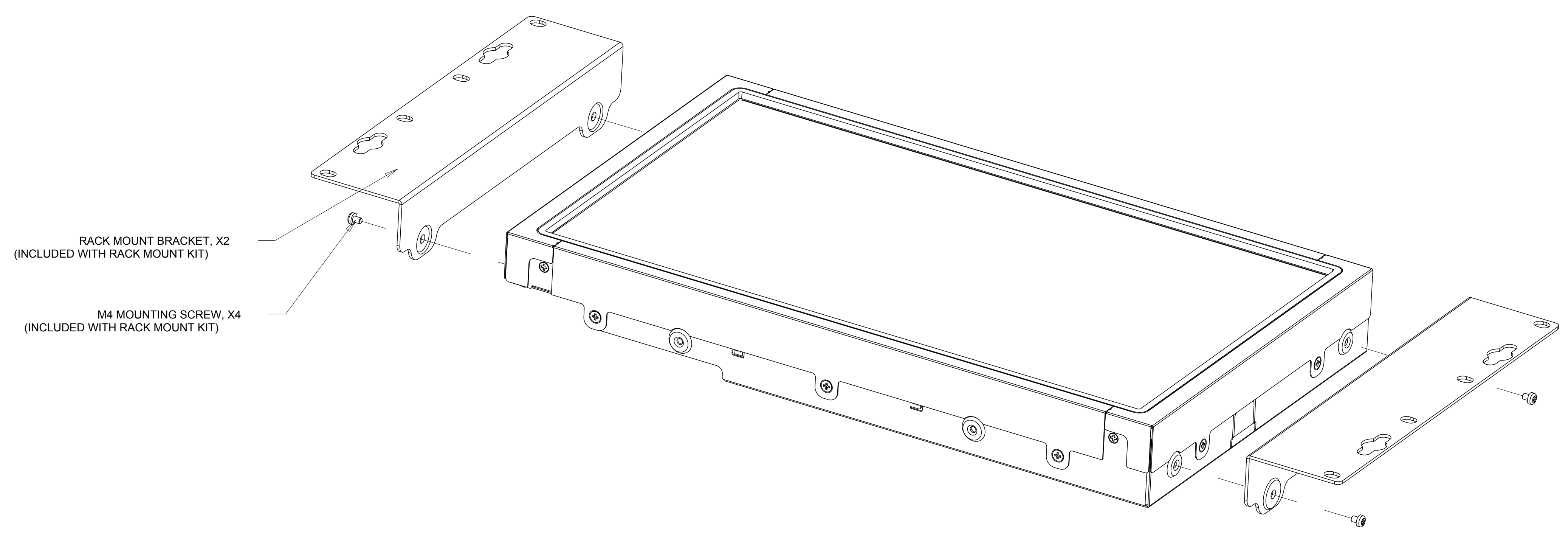
REVISIONS					
REV	ZONE	BY	DESCRIPTION	DATE	APPROVED
			SEE SHEET ONE		

**OPTIONAL RACK MOUNT BEZEL KIT, P/N E921202
ORDERED SEPARATELY, CUSTOMER ASSEMBLED**



1. MONITOR IS ORIENTED IN LANDSCAPE MODE
2. REQUIRES 5U AVAILABLE RACK SPACE
3. MOUNTING HOLE SPACING PER EIA-310-D
4. ADDITIONAL MOUNTING SCREWS (NOT INCLUDED) REQUIRED TO FASTEN MONITOR INTO CUSTOMER RACK

OPTIONAL KEYSLOT MOUNTING, X4



ITEM NO.	QTY REQ'D	DRAWING OR PART NO.	DESCRIPTION	MATERIAL SPECIFICATION
1	1	EXXXXX	XXXX	

PARTS LIST														
PART. NO.	UNLESS OTHERWISE SPECIFIED ALL DIMENSIONS ARE IN MILLIMETERS	DRAWN	DATE	TITLE										
METRIC	TOLERANCES ARE: DECIMALS ± 1/ 2" X ±: 0.50 X ±: 0.25 XX ±: 0.13	KEN NORTH CHECK	00.00.00 DATE	DIMENSIONAL DRAWING 1514L										
DO NOT SCALE DRAWING	ANGLES ± 1/ 2" FRACTIONS ± 1/ 32	DESIGN	DATE											
ProfE.prt/asm: 1541_FRONT_MOUNT_BEZEL.PRT ProfE.dwg: MS601148_REV.B.DRW	THIRD ANGLE PROJECTION	KEN NORTH	00.00.00											
				<table border="1"> <tr> <th>SIZE</th> <th>SCALE</th> <th>SHEET</th> <th>DWG. NO.</th> <th>REV</th> </tr> <tr> <td>D</td> <td>1:4</td> <td>5 OF 5</td> <td>MS601148</td> <td>B</td> </tr> </table>	SIZE	SCALE	SHEET	DWG. NO.	REV	D	1:4	5 OF 5	MS601148	B
SIZE	SCALE	SHEET	DWG. NO.	REV										
D	1:4	5 OF 5	MS601148	B										

B
REV
5 OF 5
MS601148
B