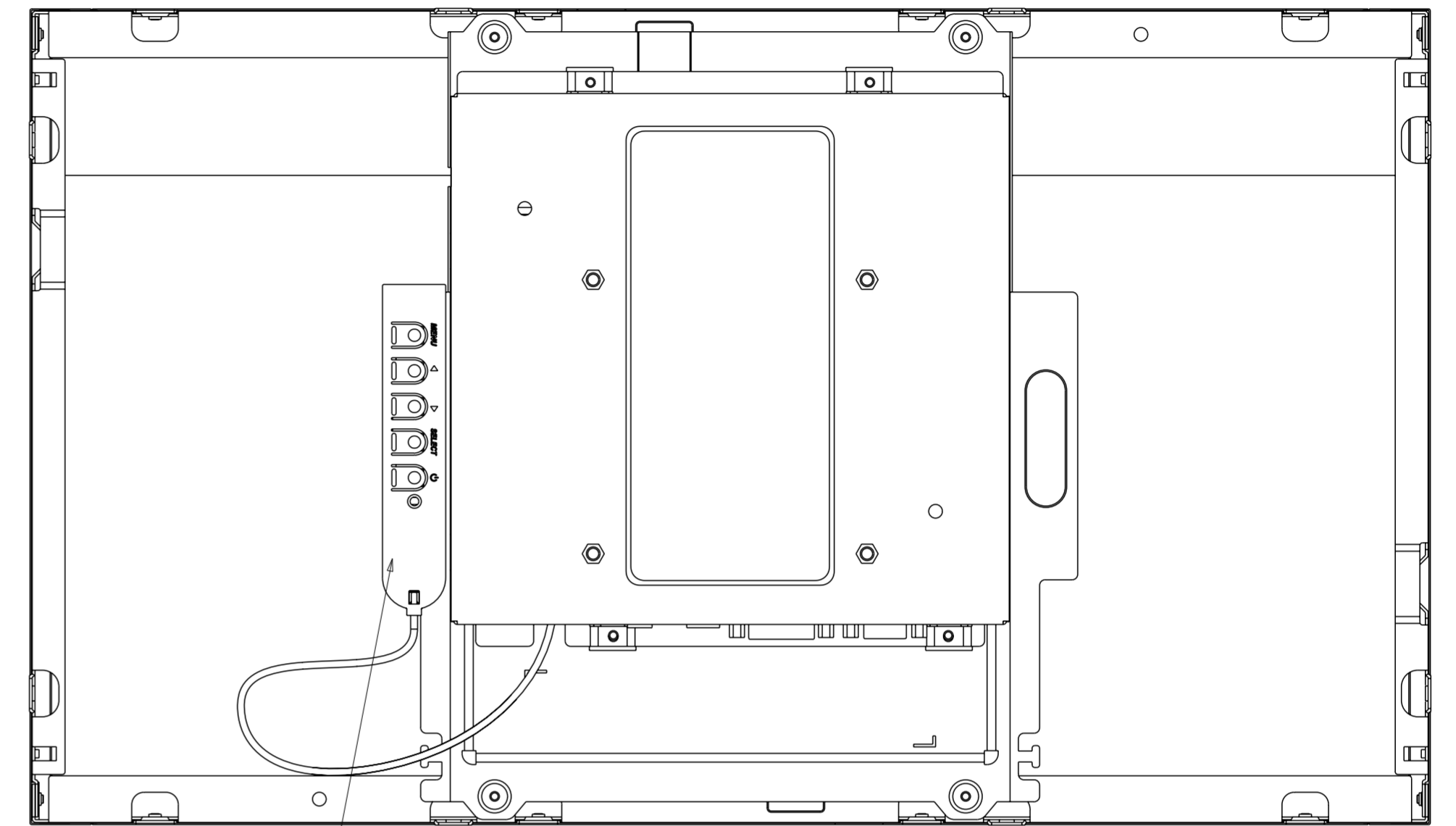
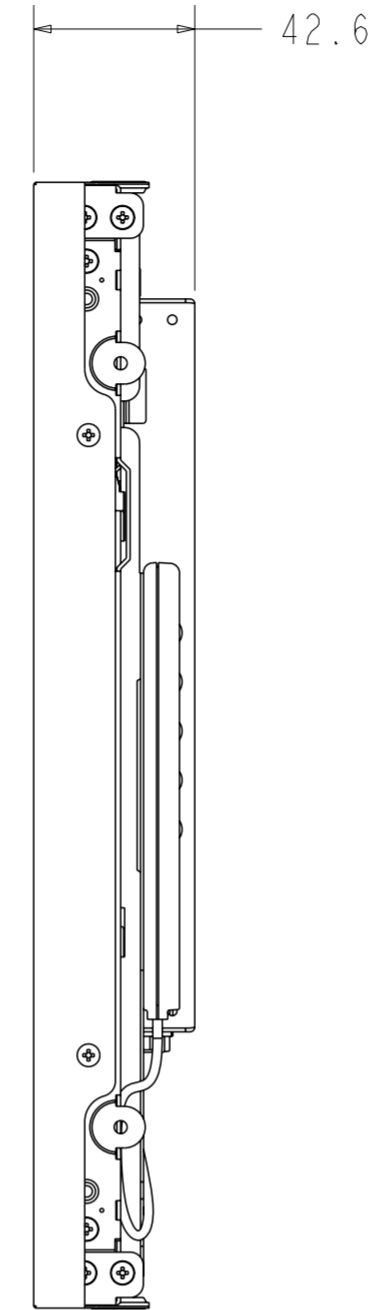
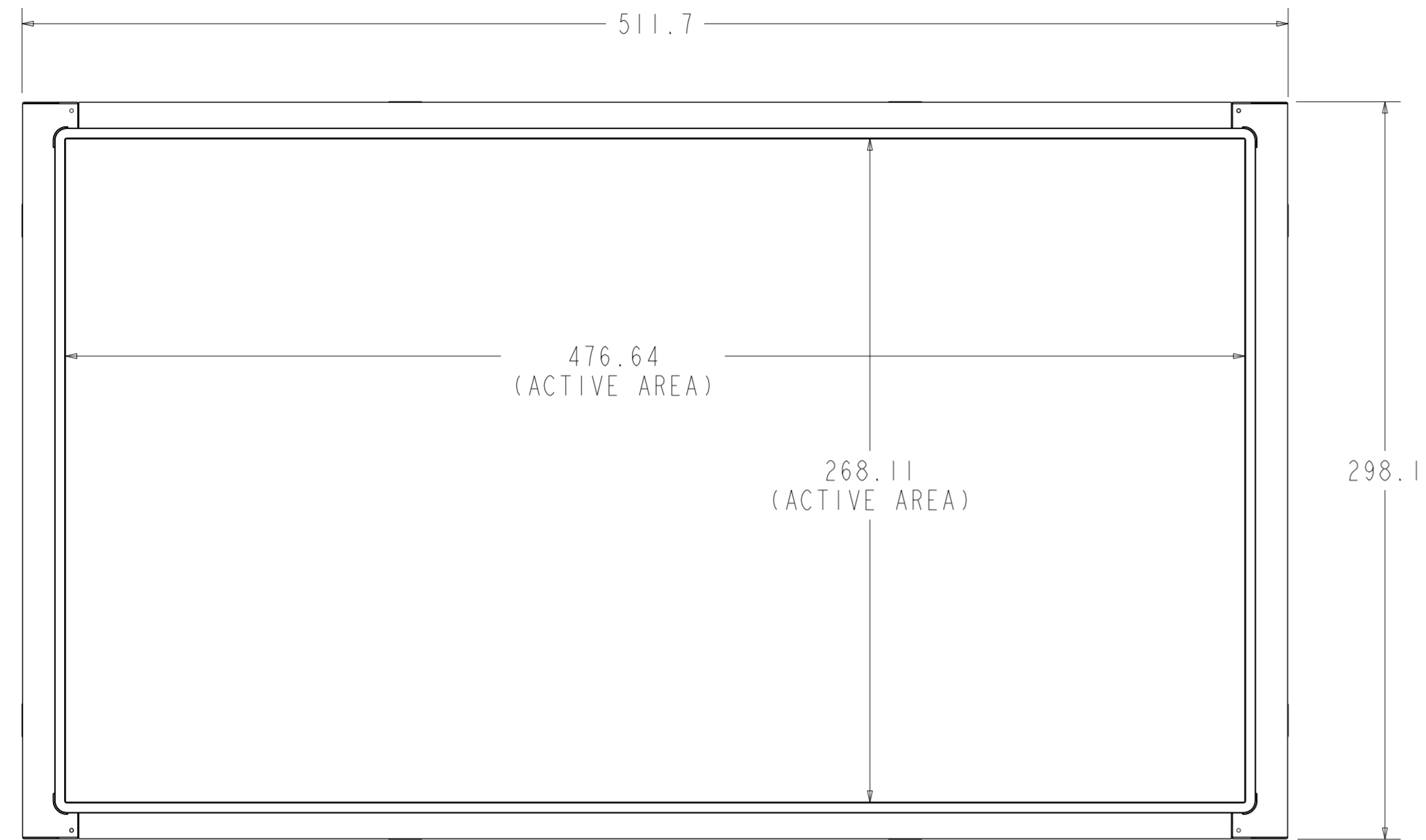
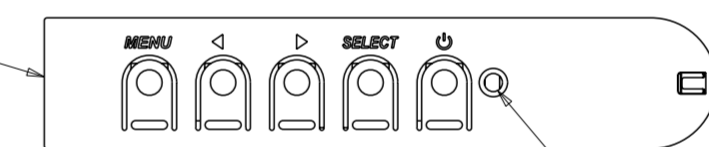


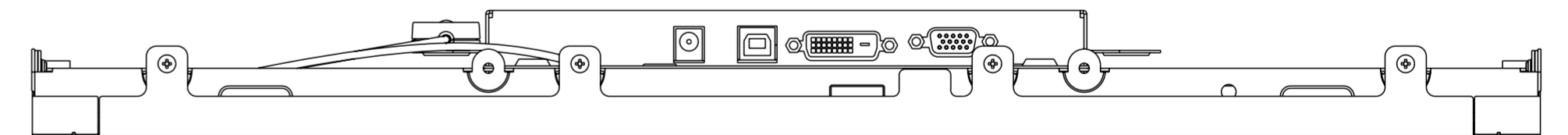
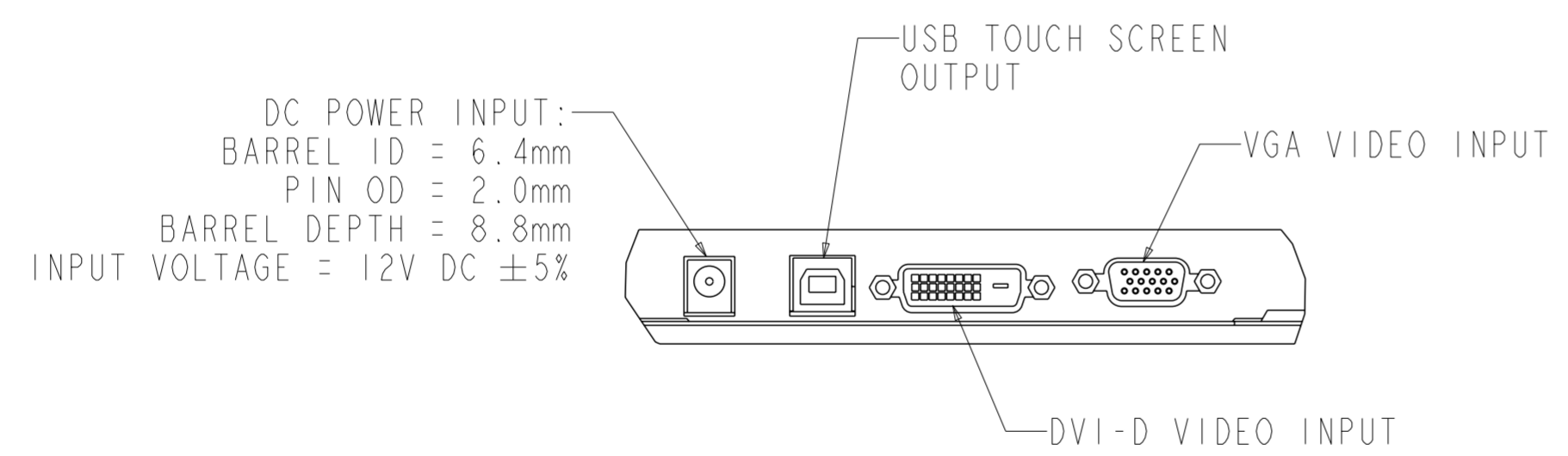
NOTE:
ALL DIMS. +/- 1mm UNLESS NOTED

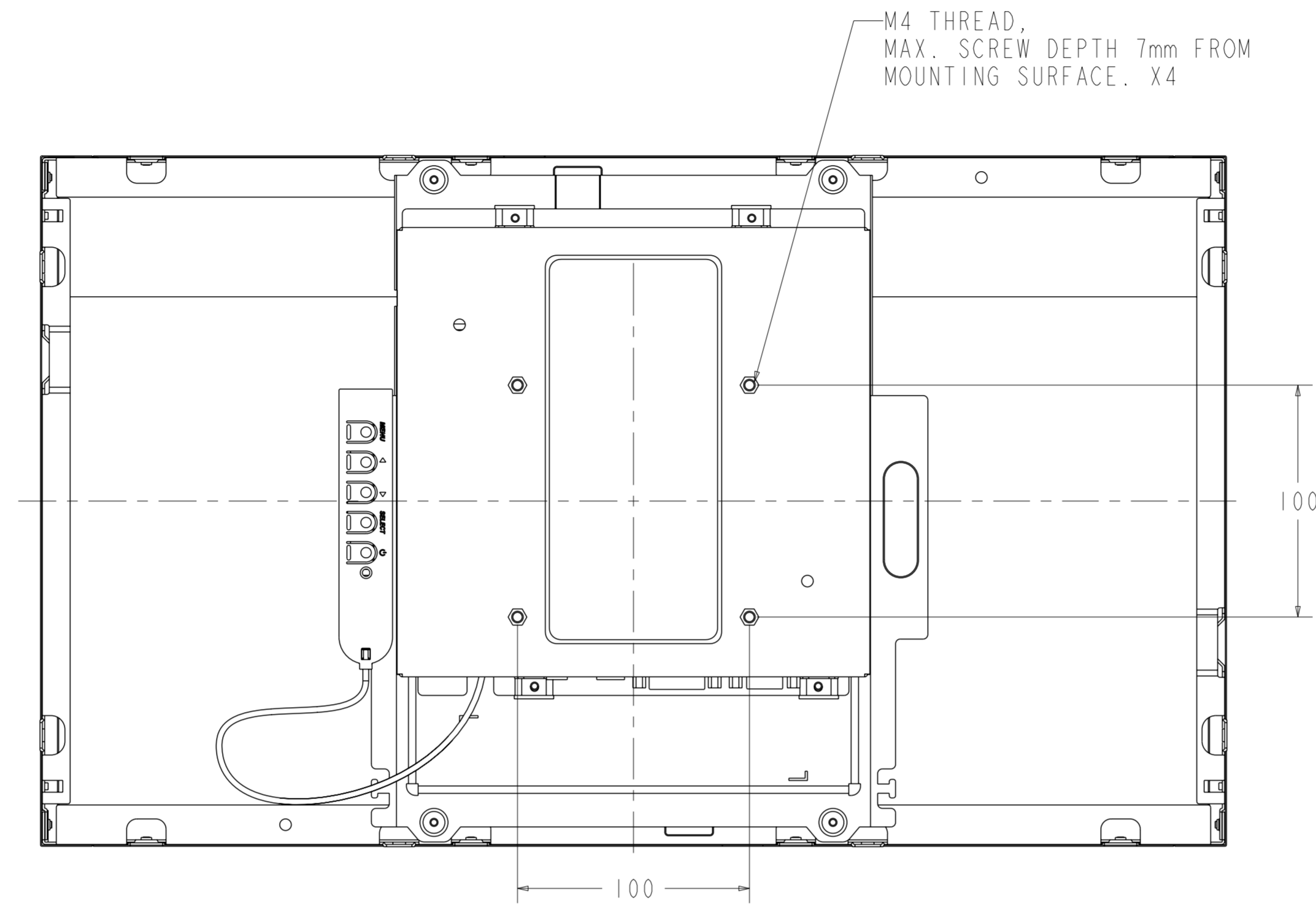


OSD CONTROL WITH MAGNETIC ATTACHMENT;
CABLE LENGTH = 280mm

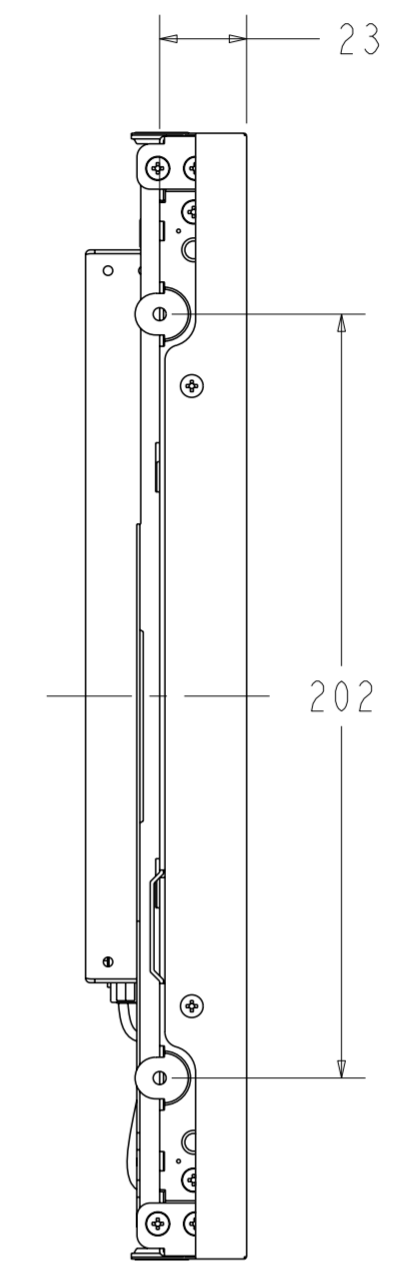


POWER STATUS LED

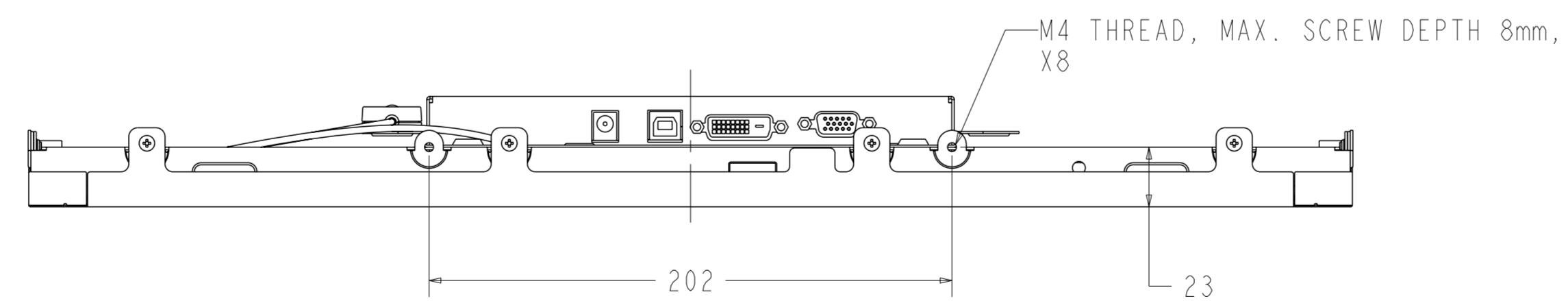




VESA MOUNT

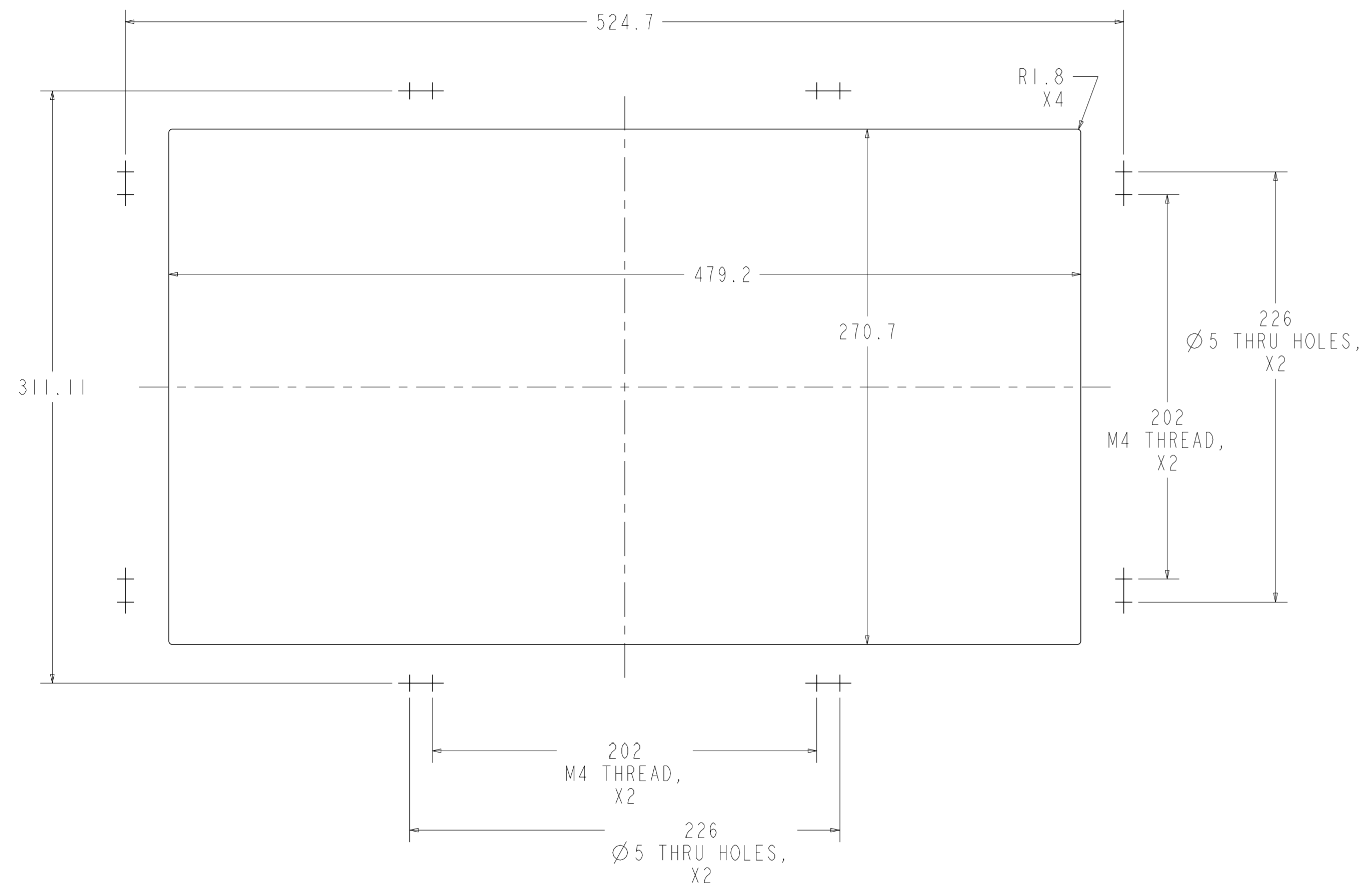


SIDE MOUNT, VERTICAL (LEFT & RIGHT)



SIDE MOUNT, HORIZONTAL (TOP & BOTTOM)

MOUNTING WITH ADJUSTABLE BRACKETS
(4 PROVIDED)



RECOMMENDED CUSTOMER
PANEL CUT-OUT

