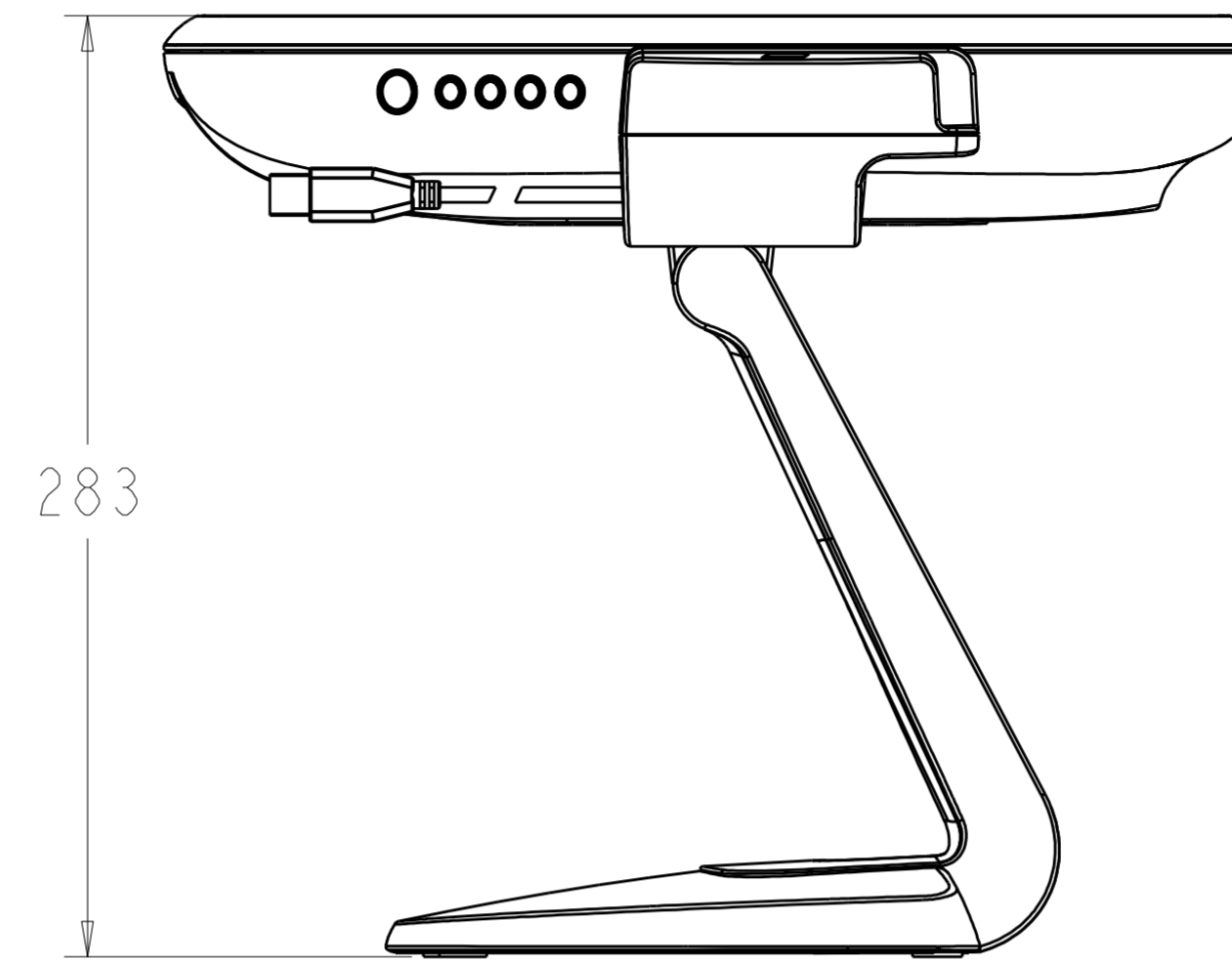
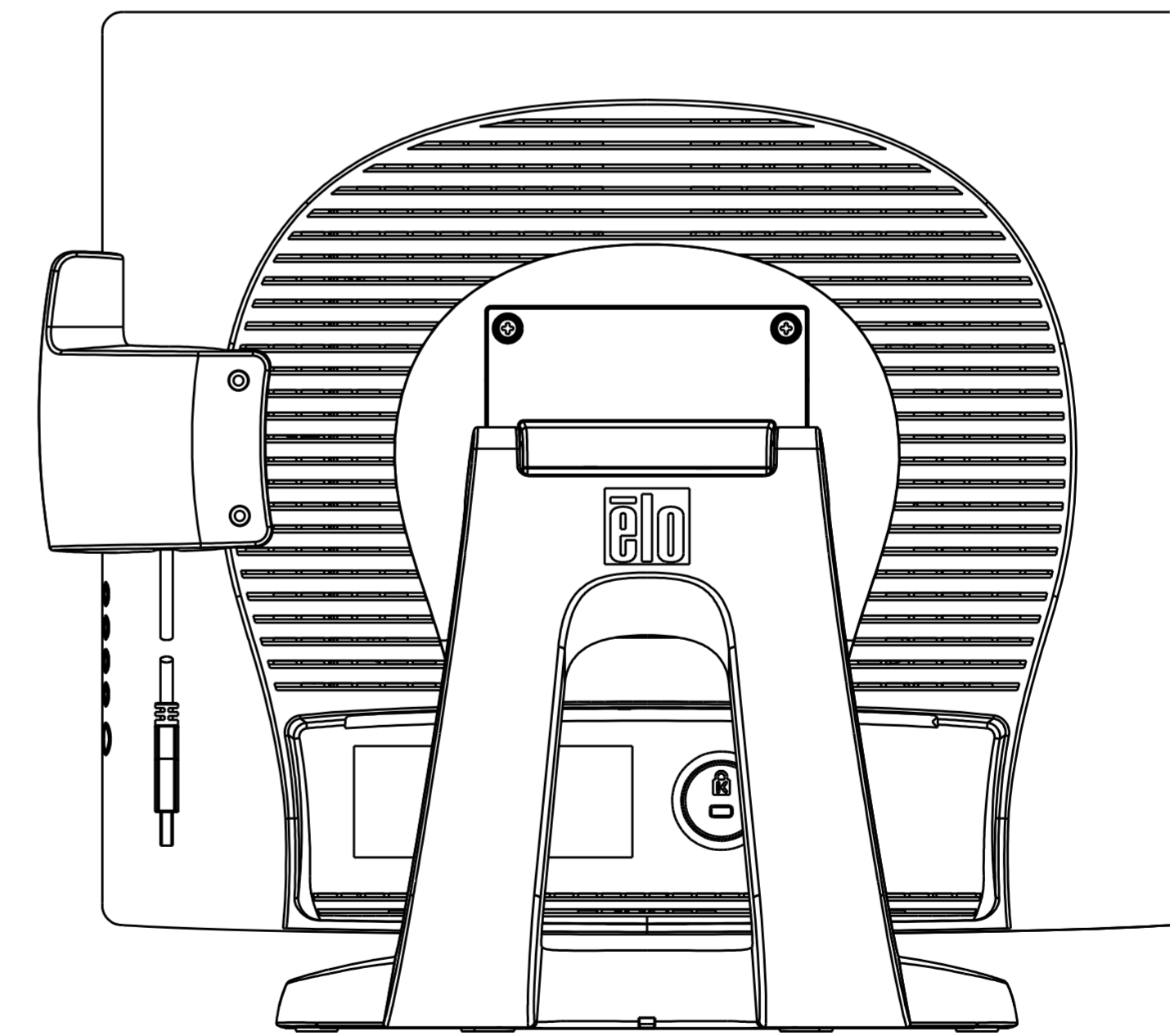
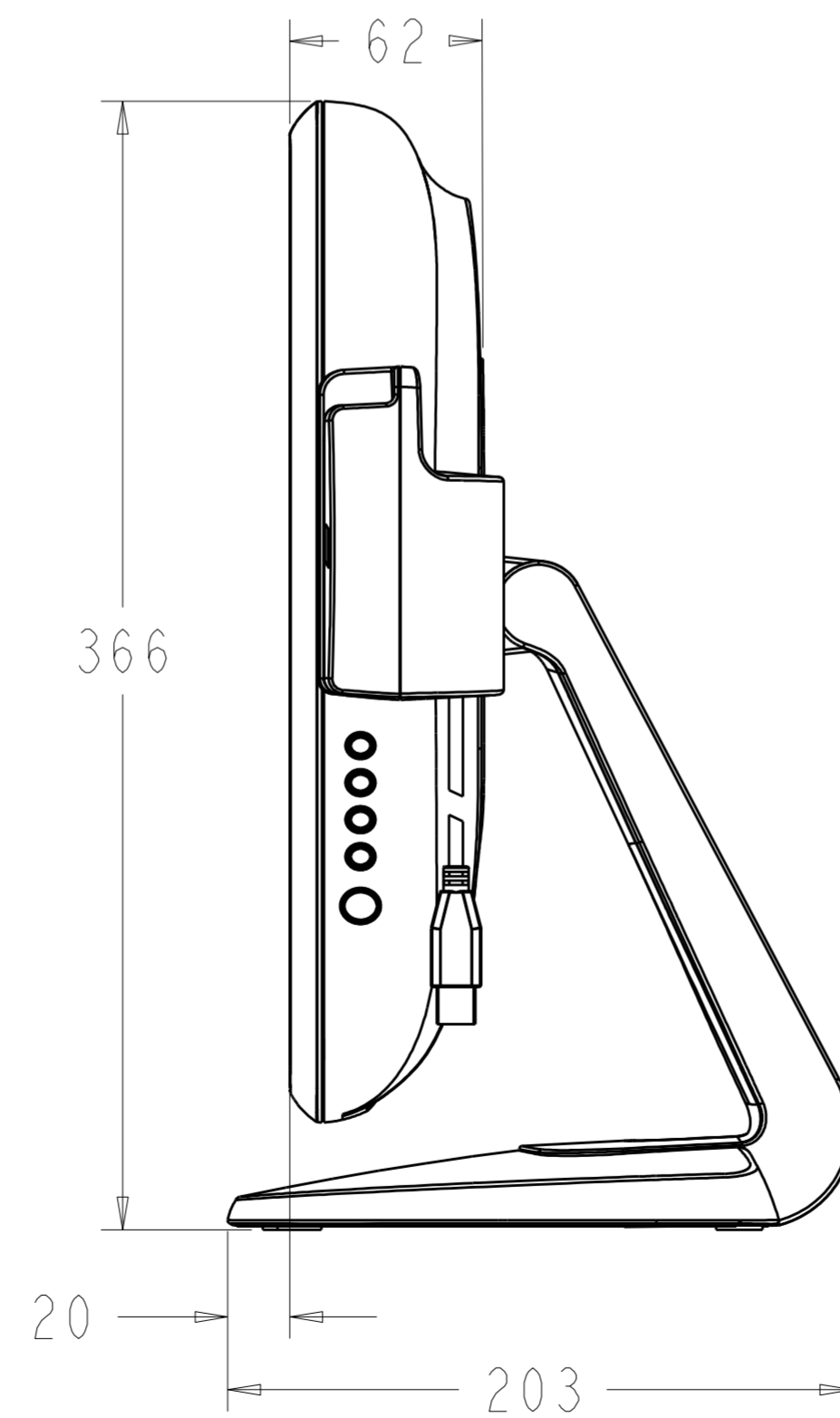
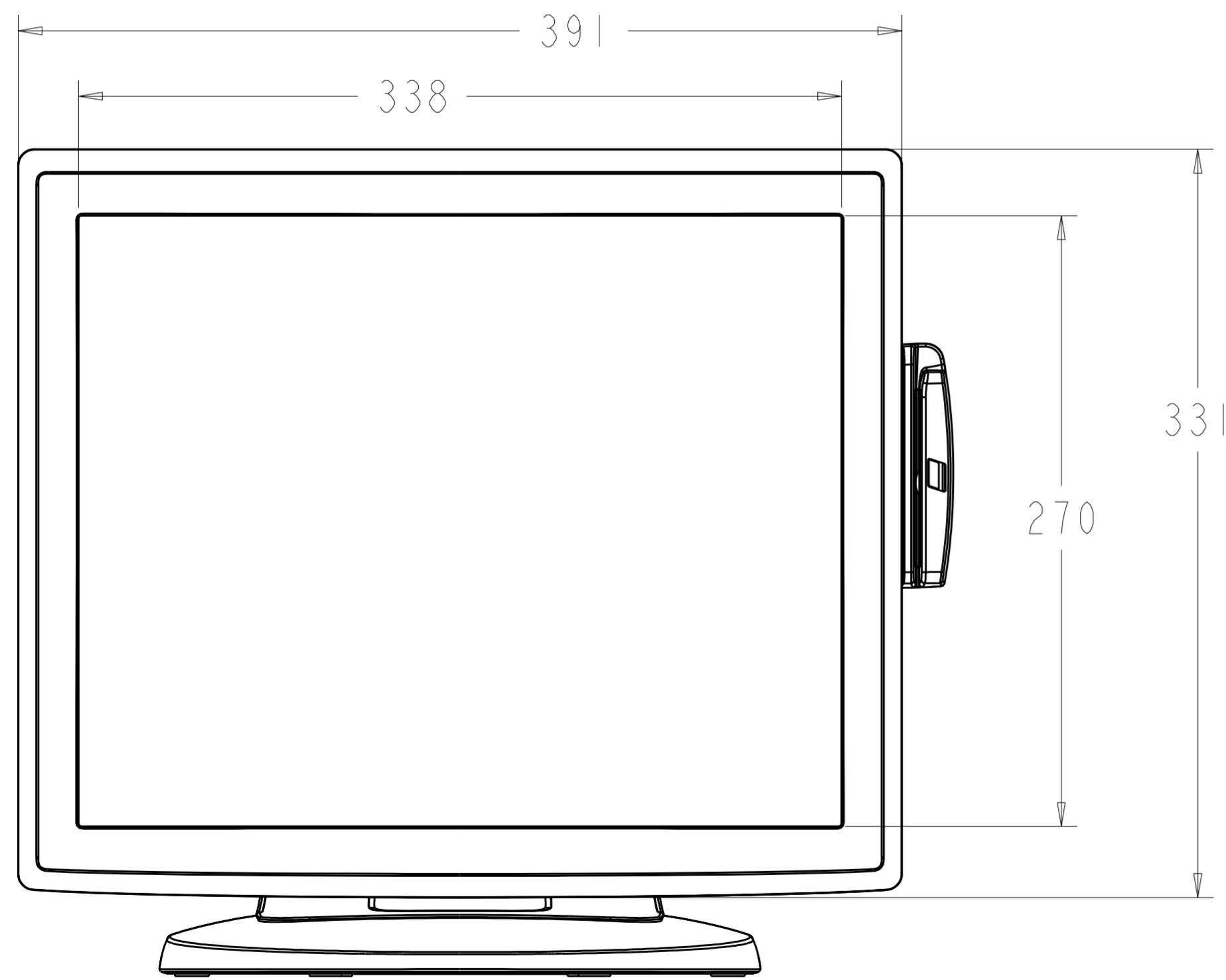
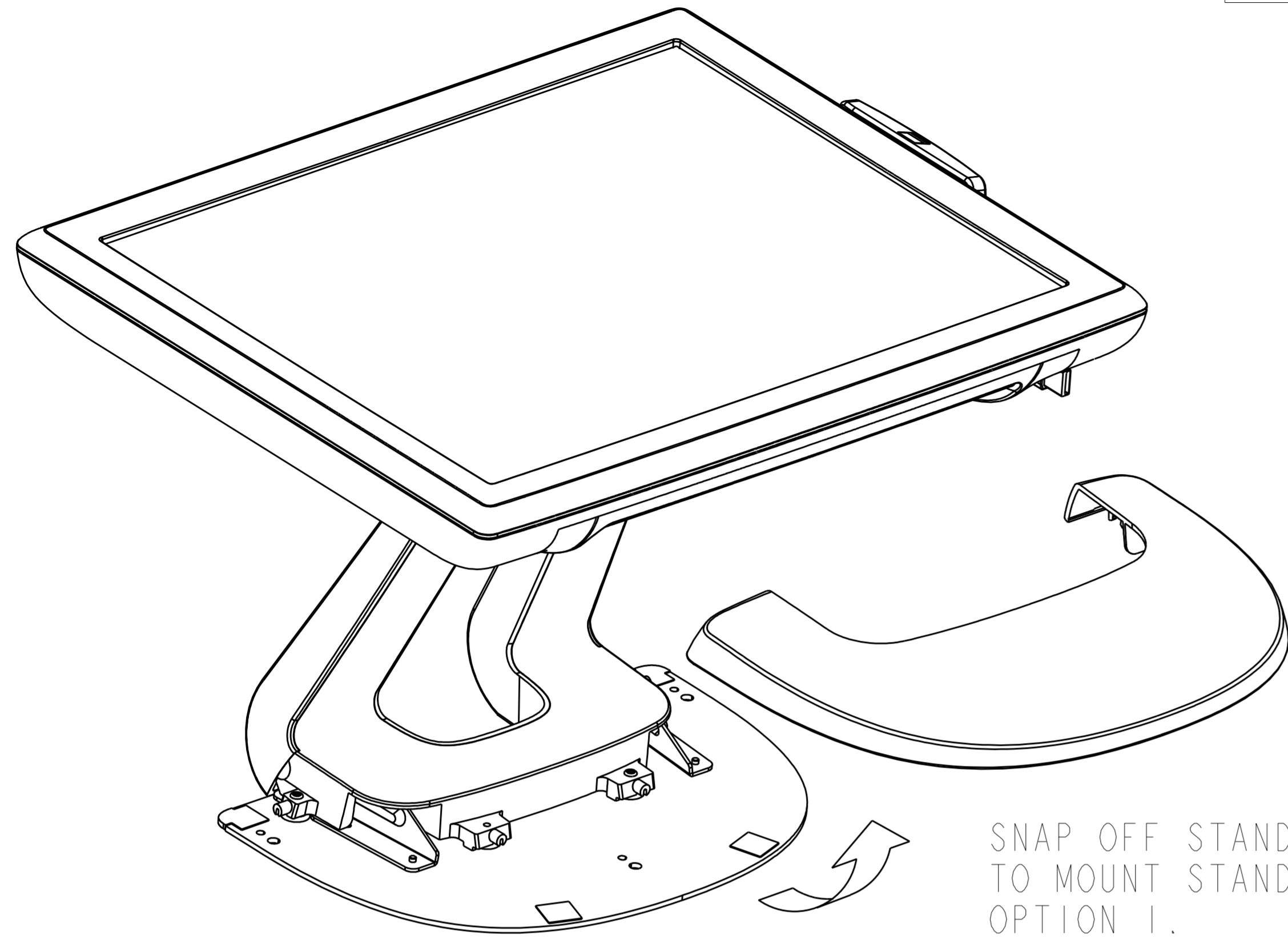


TILT -5° FROM VERTICAL



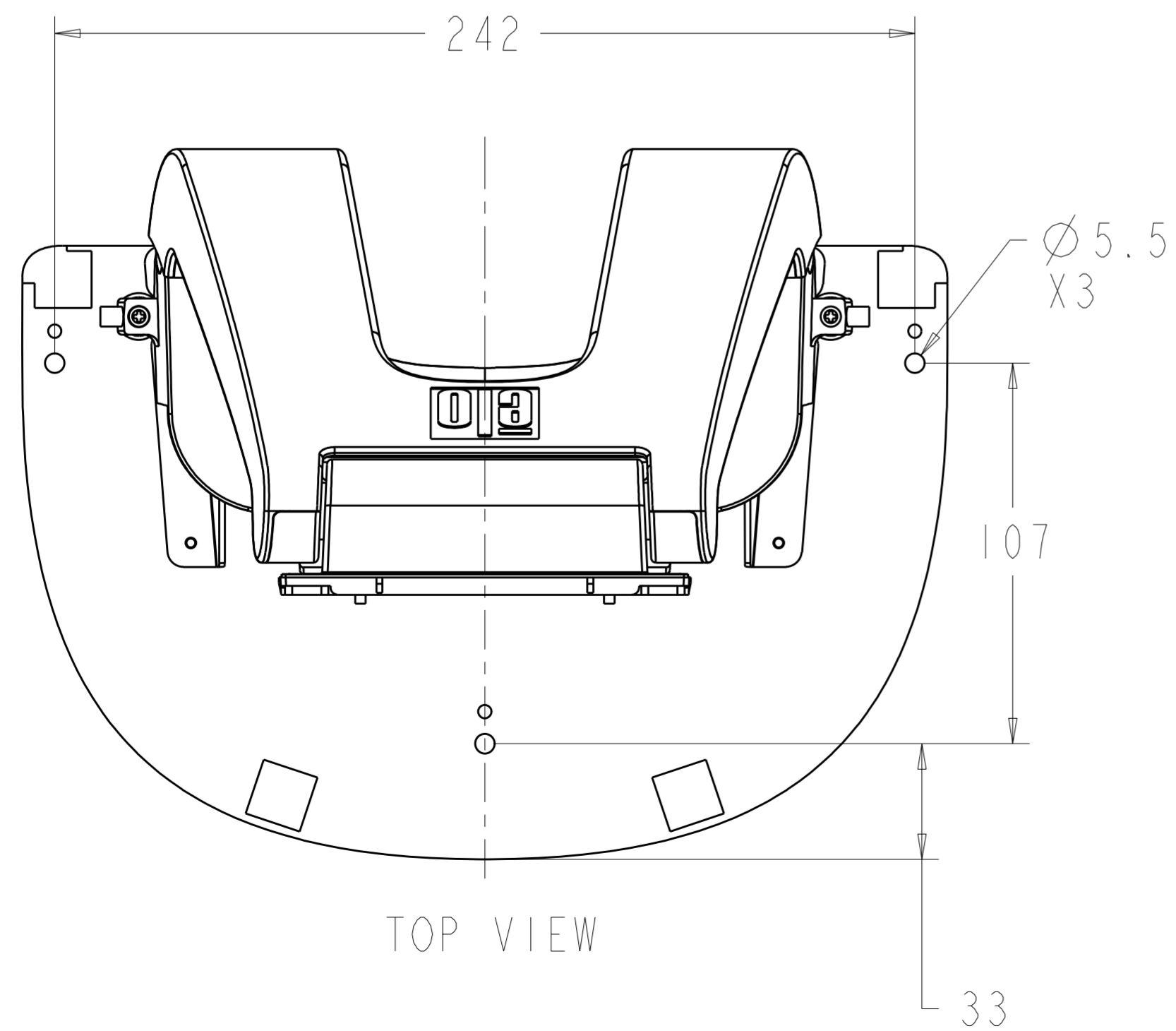
TILT 90° FROM VERTICAL





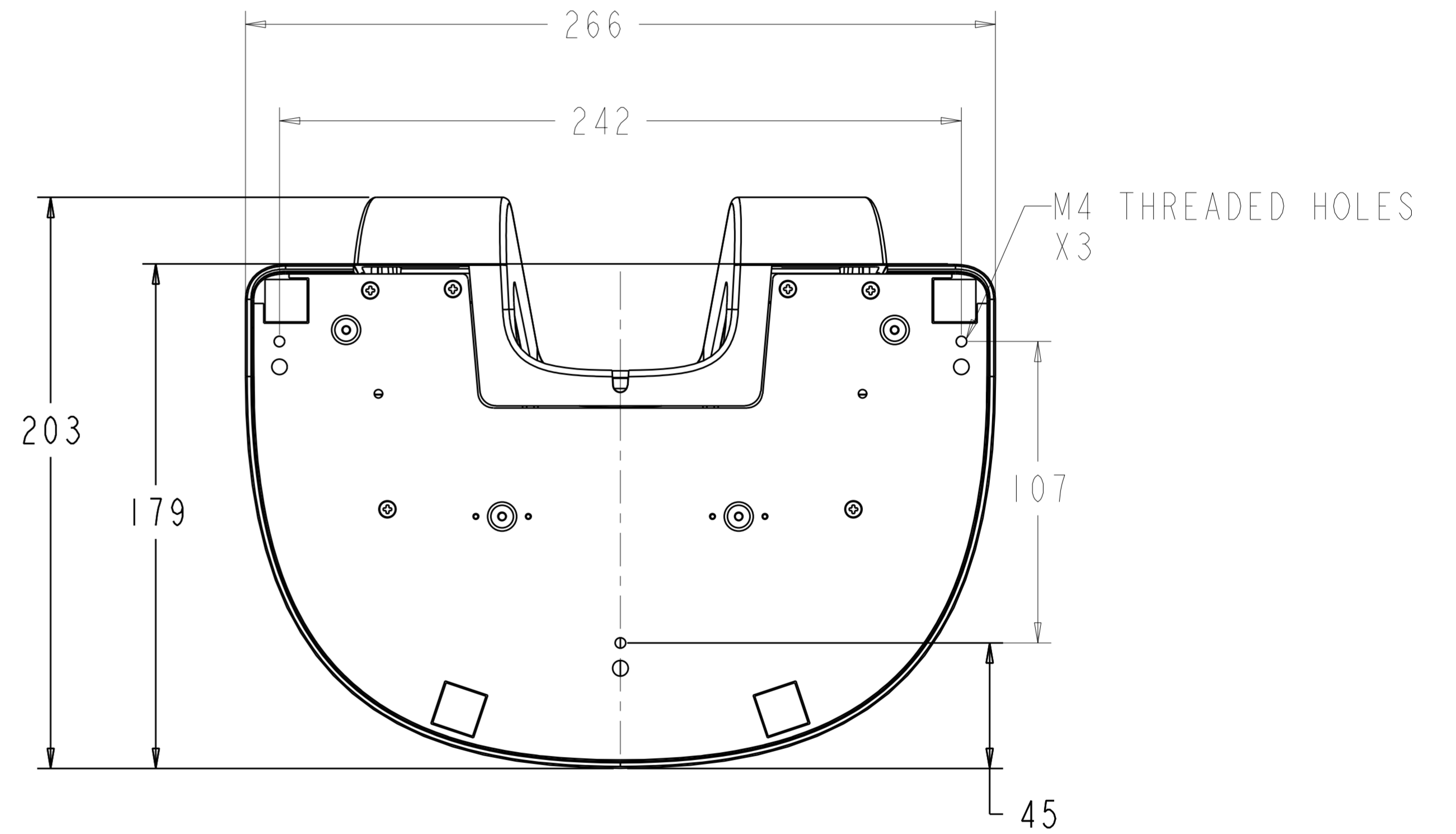
SNAP OFF STAND COVER
TO MOUNT STAND WITH
OPTION 1.

MOUNT OPTION 1

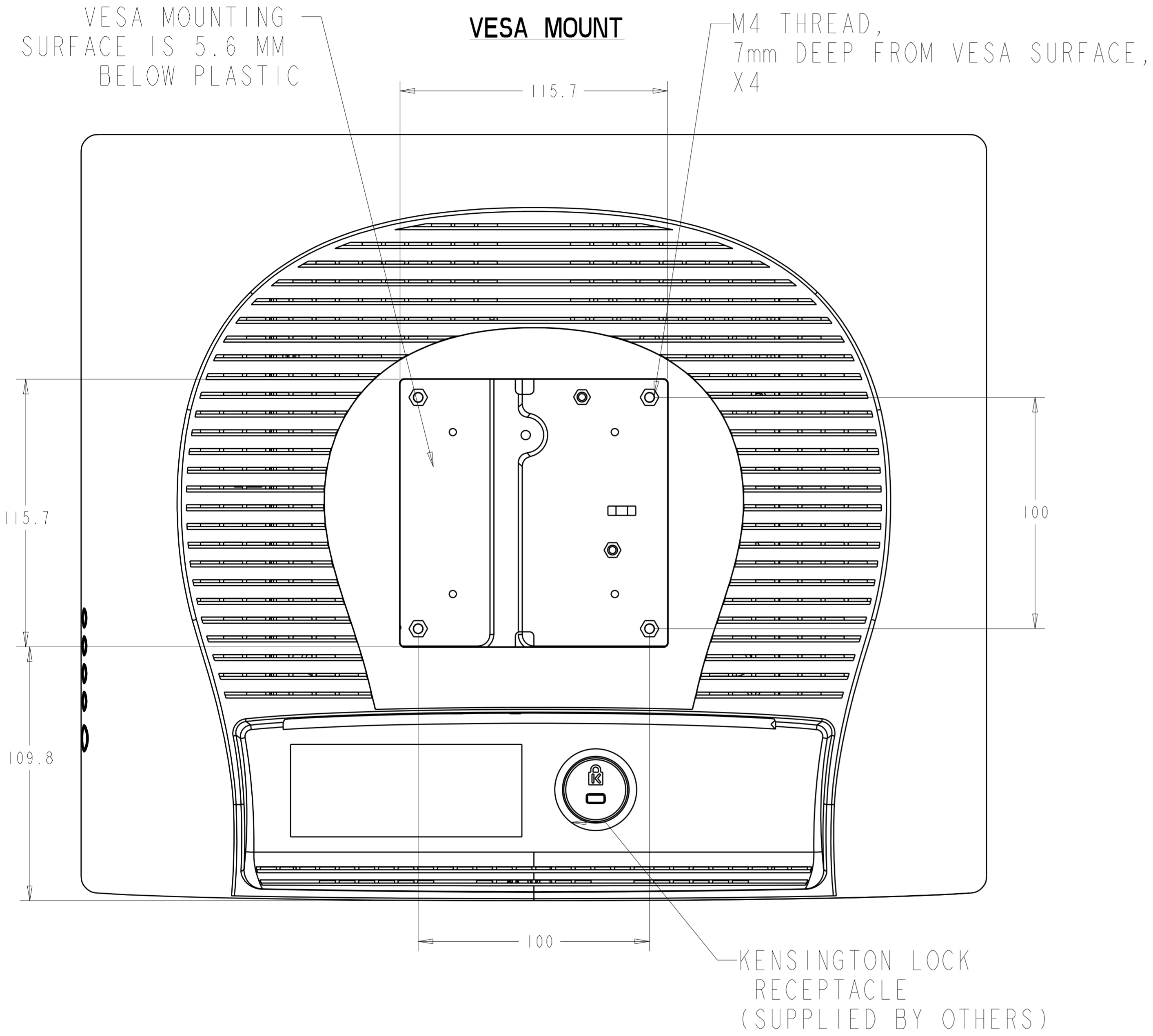


TOP VIEW

MOUNT OPTION 2



BOTTOM VIEW



CONNECTOR PANEL

