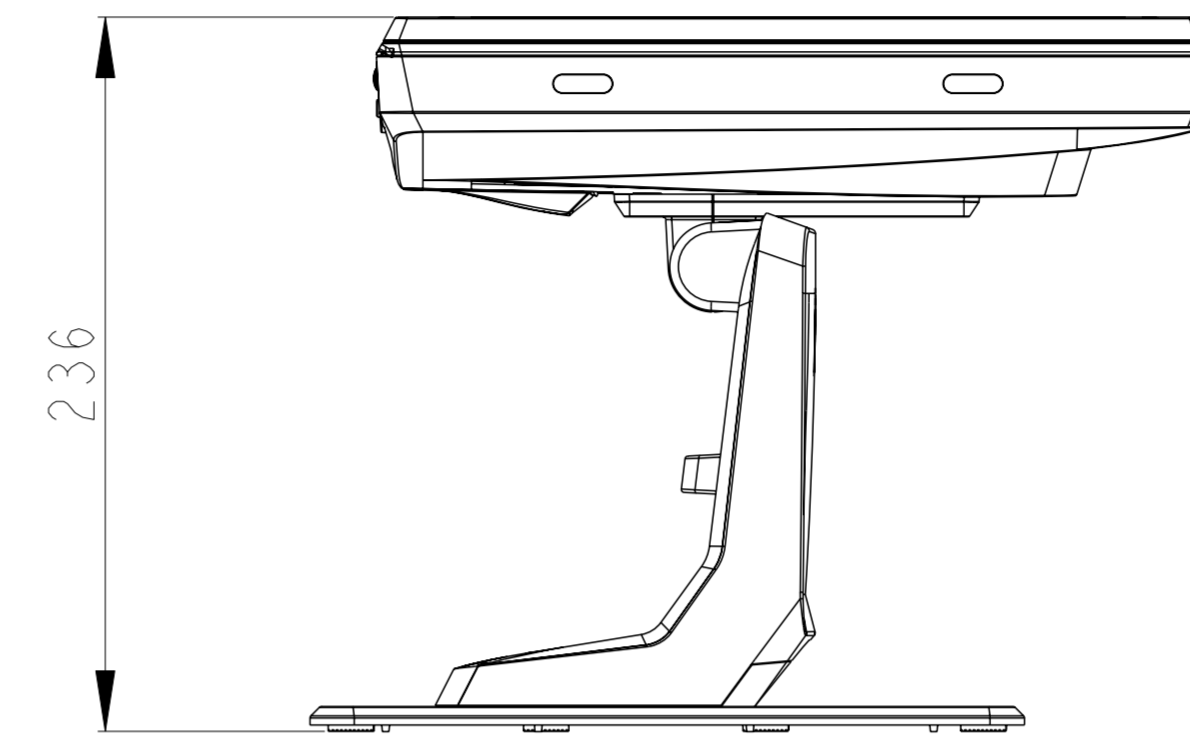
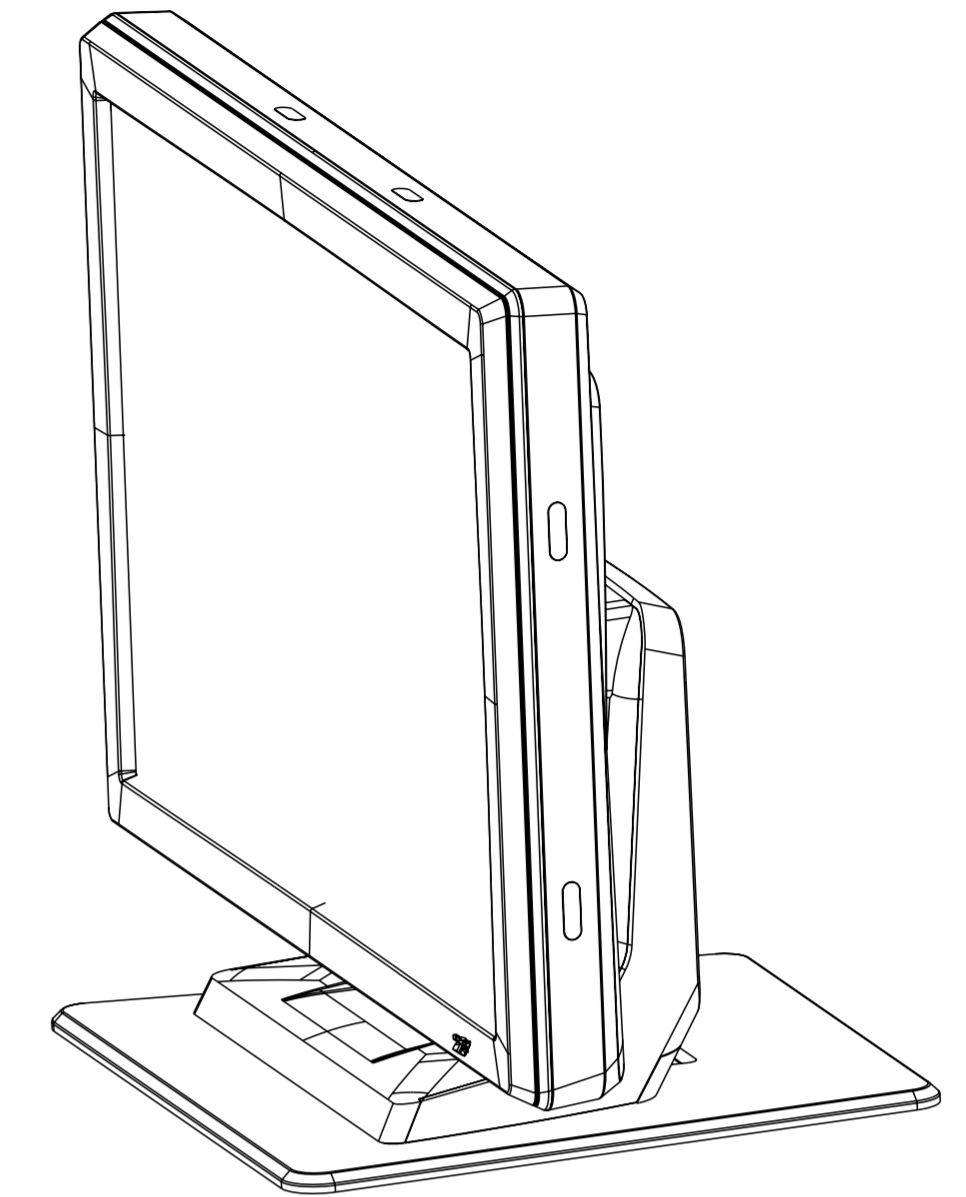


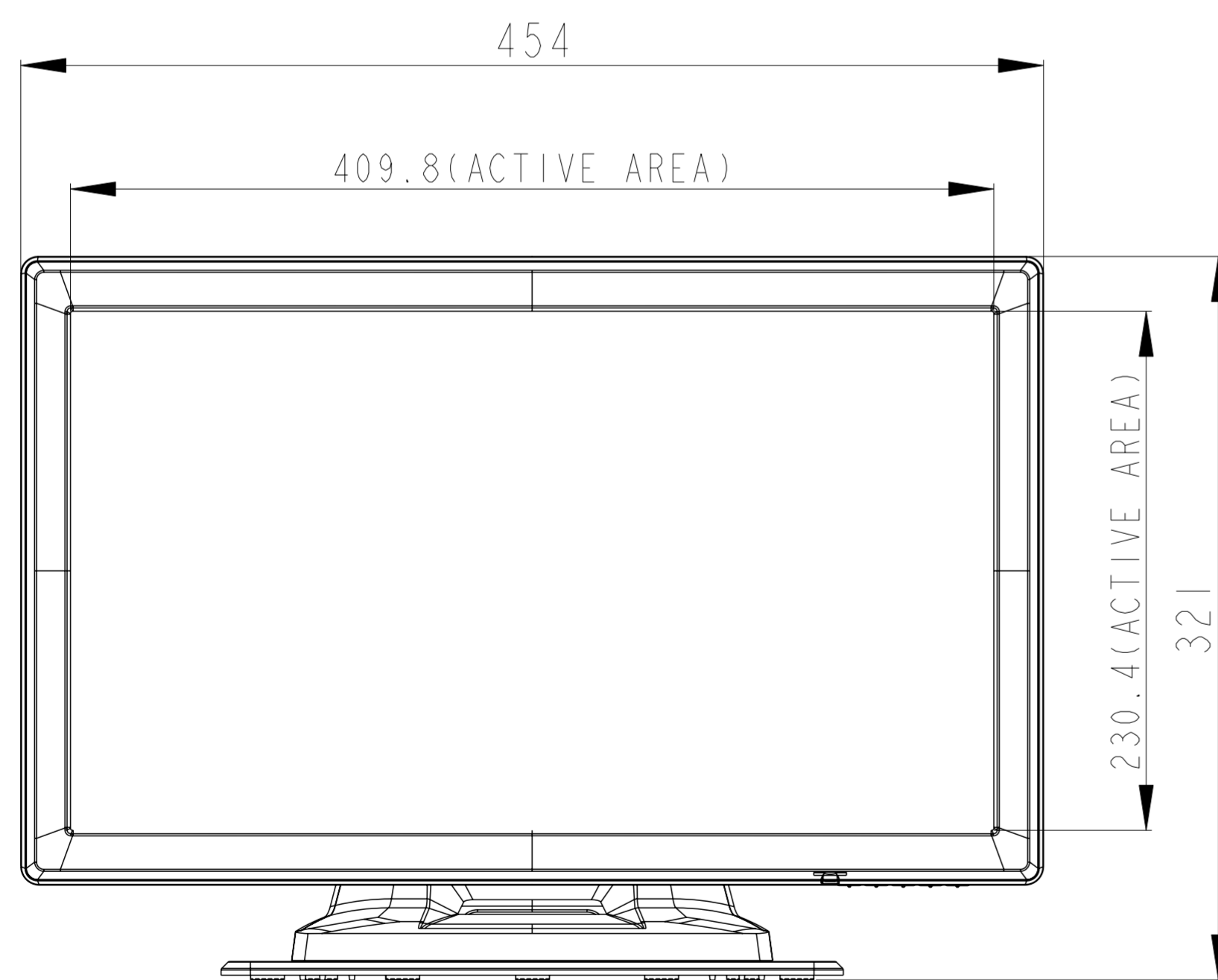
TILT: -3° FROM VERT



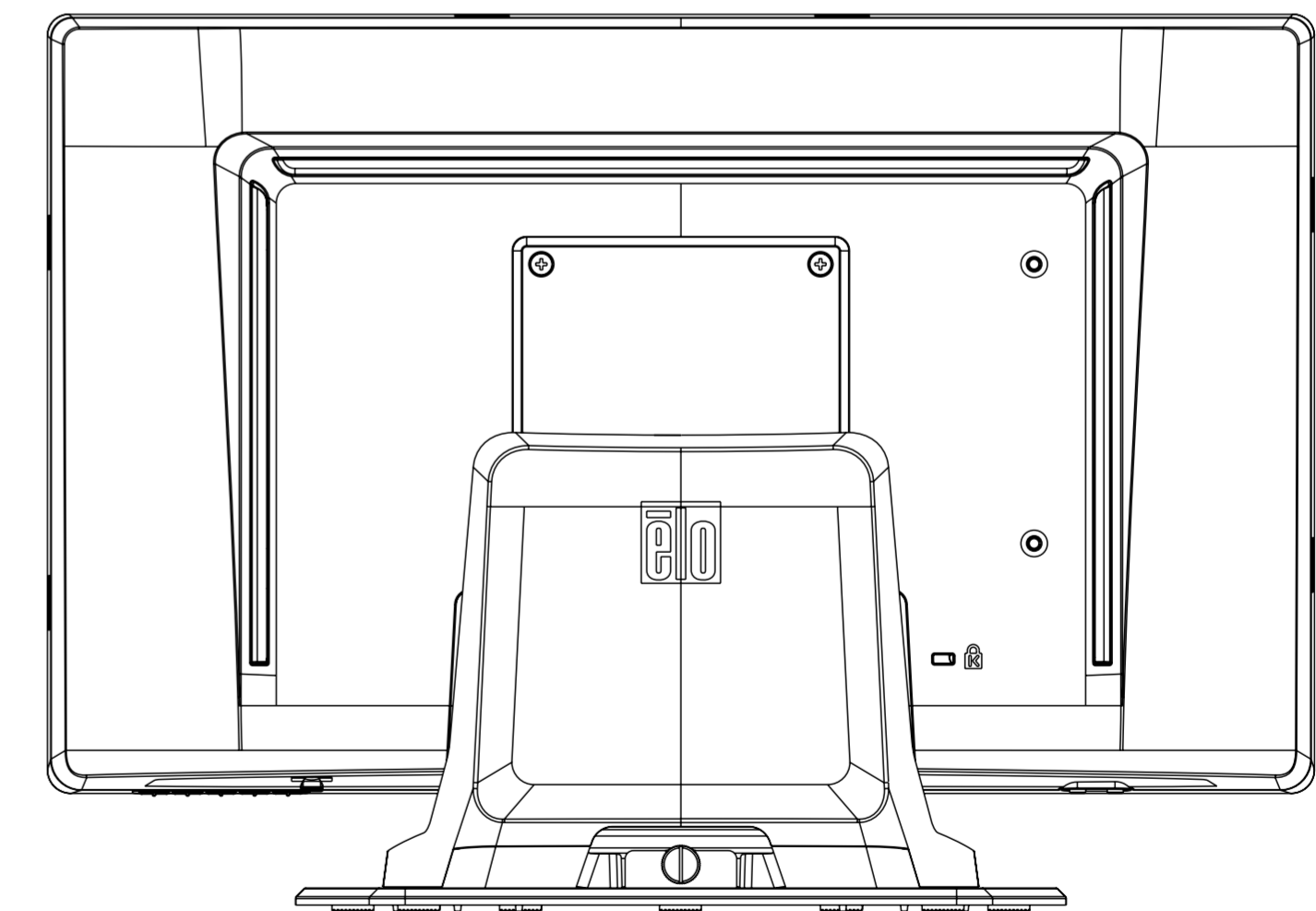
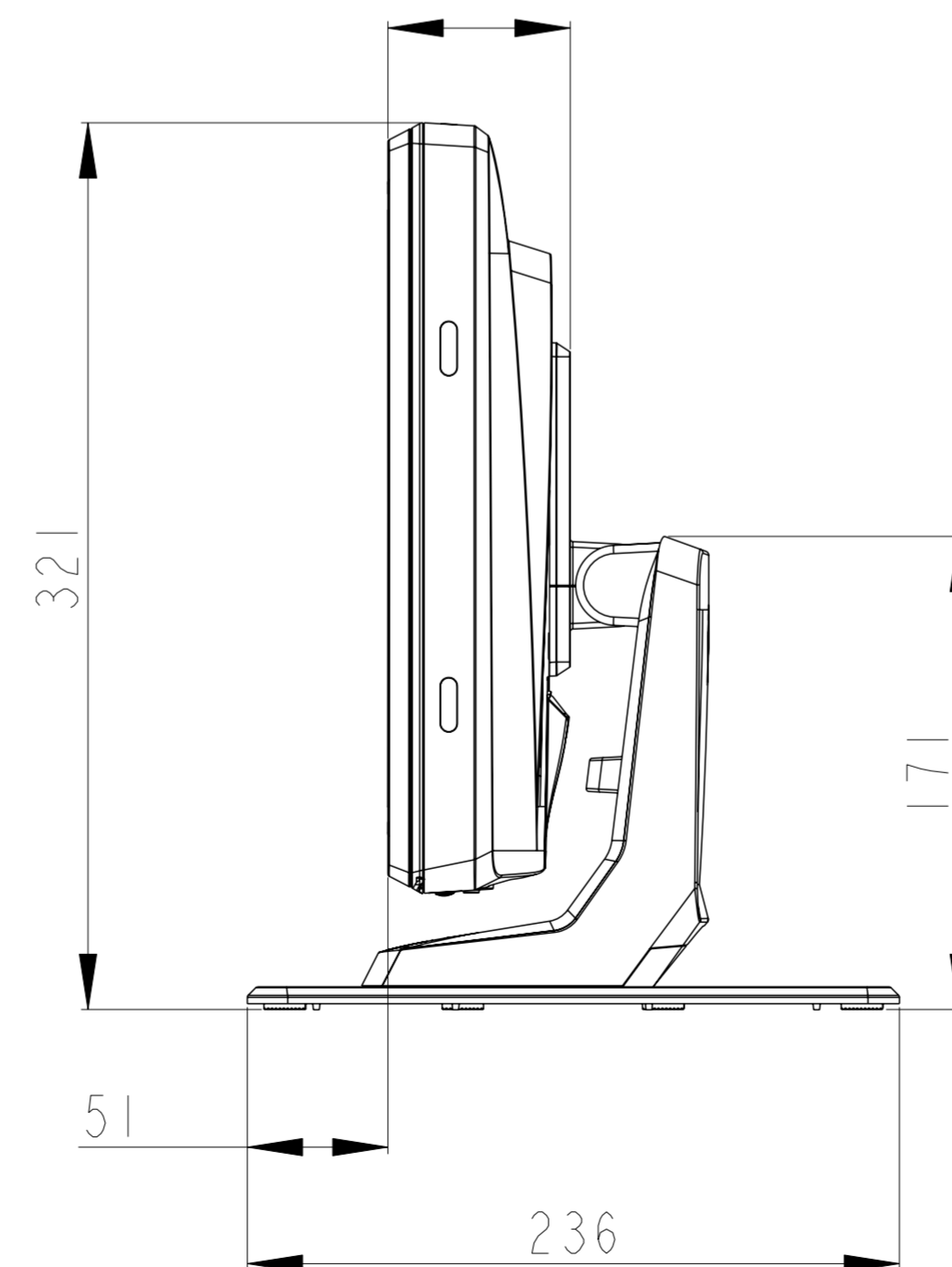
TILT: 90° FROM VERT

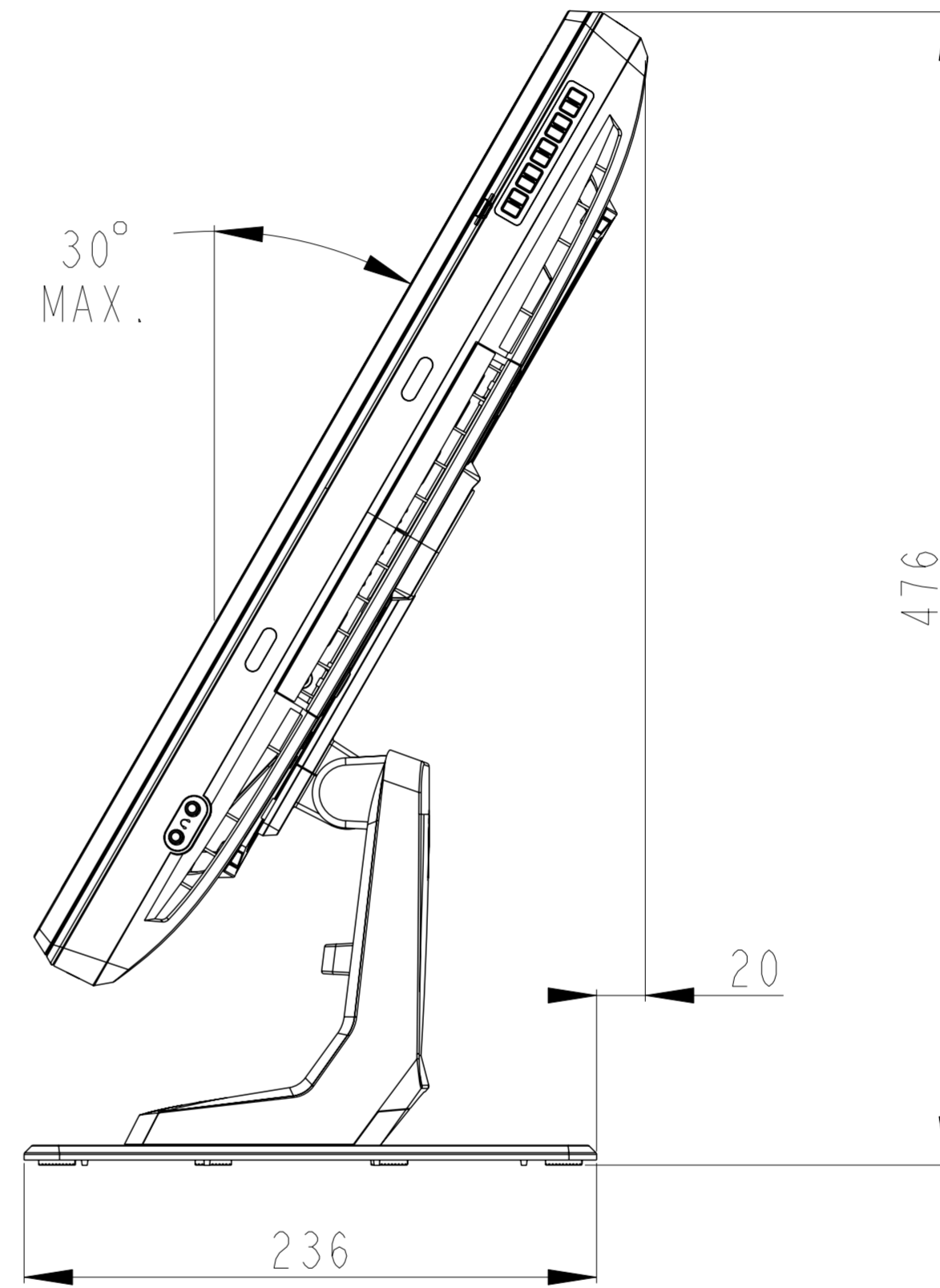
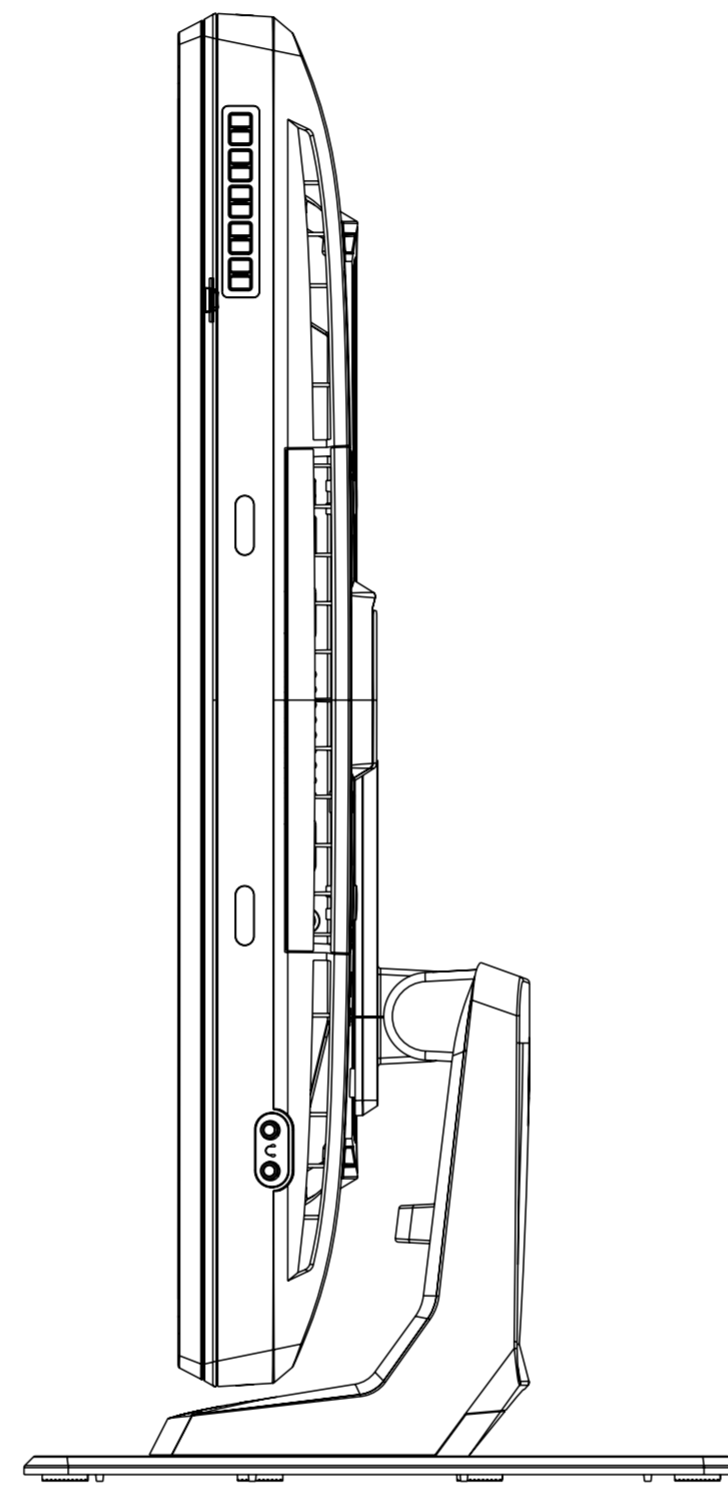
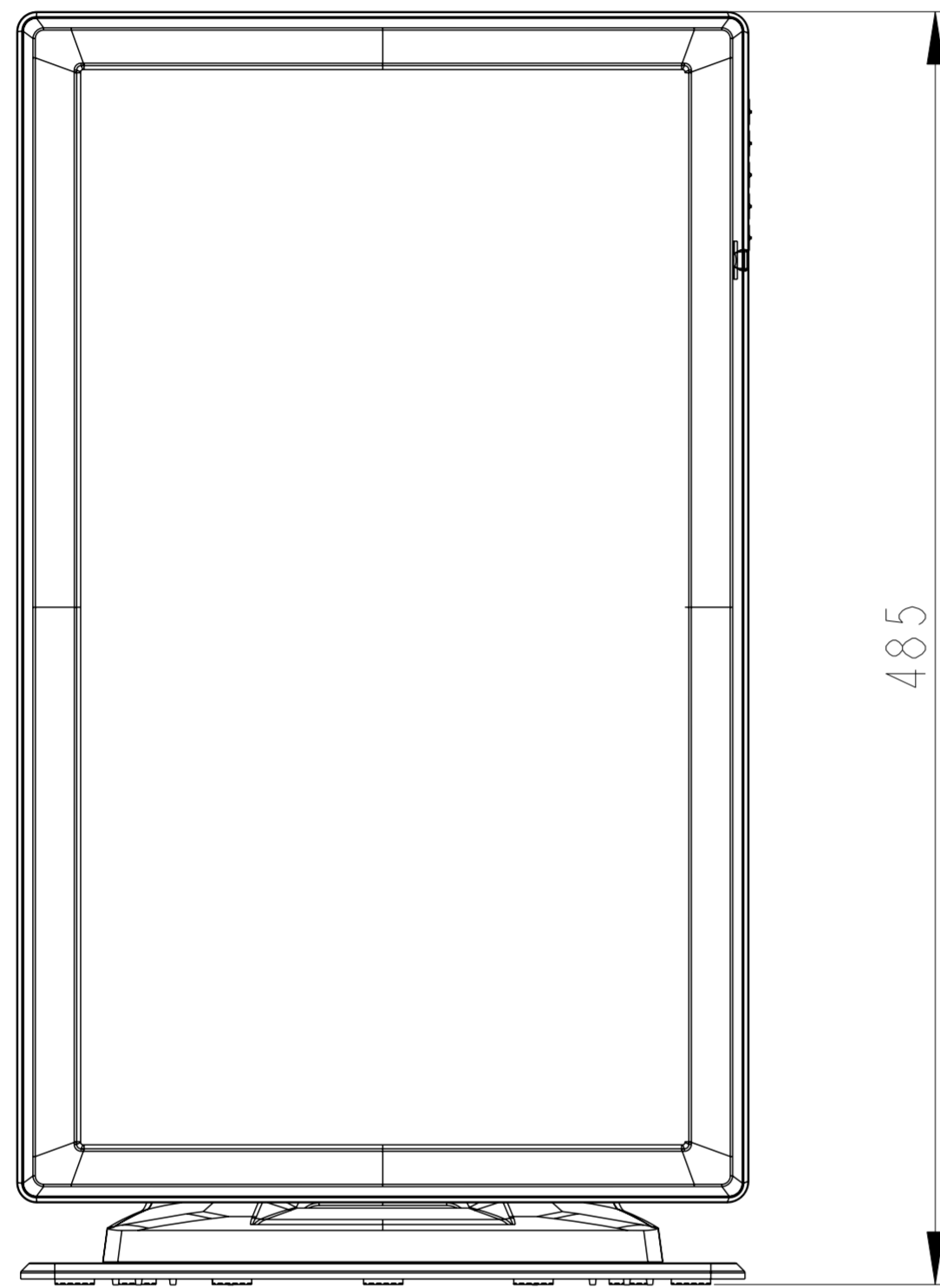


SCALE 0.400



IT=66
AT=62
APR=61
i-TOUCH=61
P-CAP=59





TILT: 30° MAX FROM VERT

DC INPUT POWER JACK
 BARREL INNER DIAMETER: 6.4mm
 PIN OUTER DIAMETER: 2.0mm
 BARREL DEPTH: 8.8mm
 INPUT VOLTAGE: 12 VDC±5%

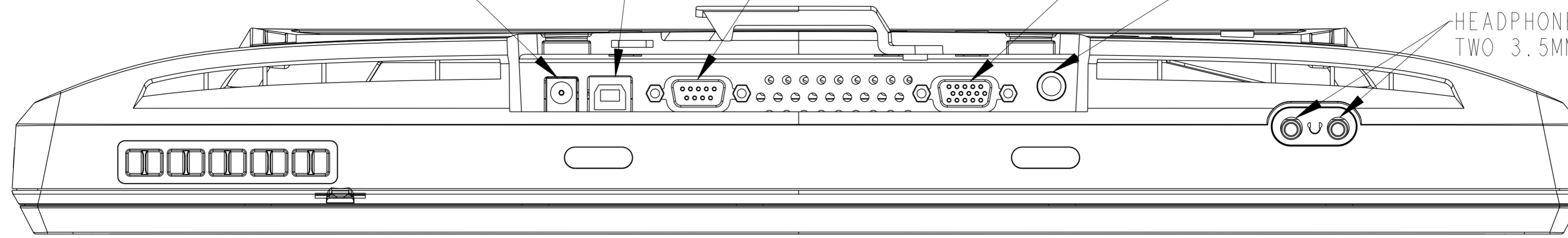
USB TOUCH

SERIAL TOUCH
 (NOT APPLICABLE TO APR, P-CAP)

AUDIO INPUT
 3.5mm TRS JACK
 1Vrms MAXIMUM

HEADPHONE OUTPUTS
 TWO 3.5MM TRS JACKS

VGA



1919L

DC INPUT POWER JACK
 BARREL INNER DIAMETER: 6.4mm
 PIN OUTER DIAMETER: 2.0mm
 BARREL DEPTH: 8.8mm
 INPUT VOLTAGE: 12 VDC±5%

USB TOUCH

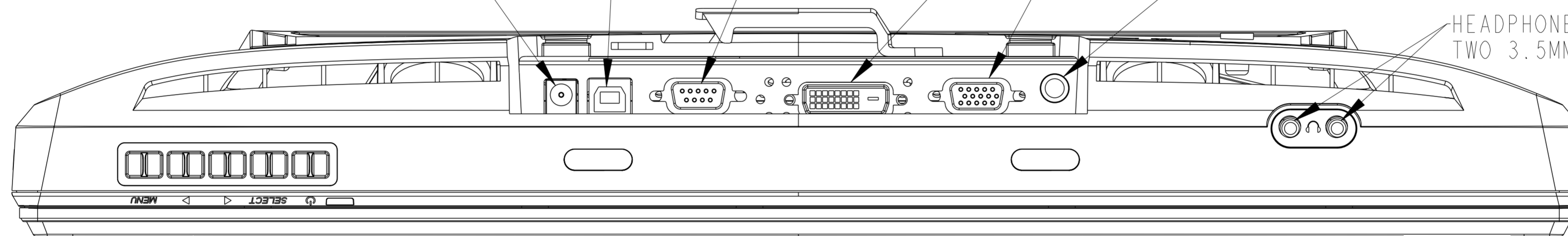
SERIAL TOUCH
 (NOT APPLICABLE TO APR, P-CAP)

AUDIO INPUT
 3.5mm TRS JACK
 1Vrms MAXIMUM

HEADPHONE OUTPUTS
 TWO 3.5MM TRS JACKS

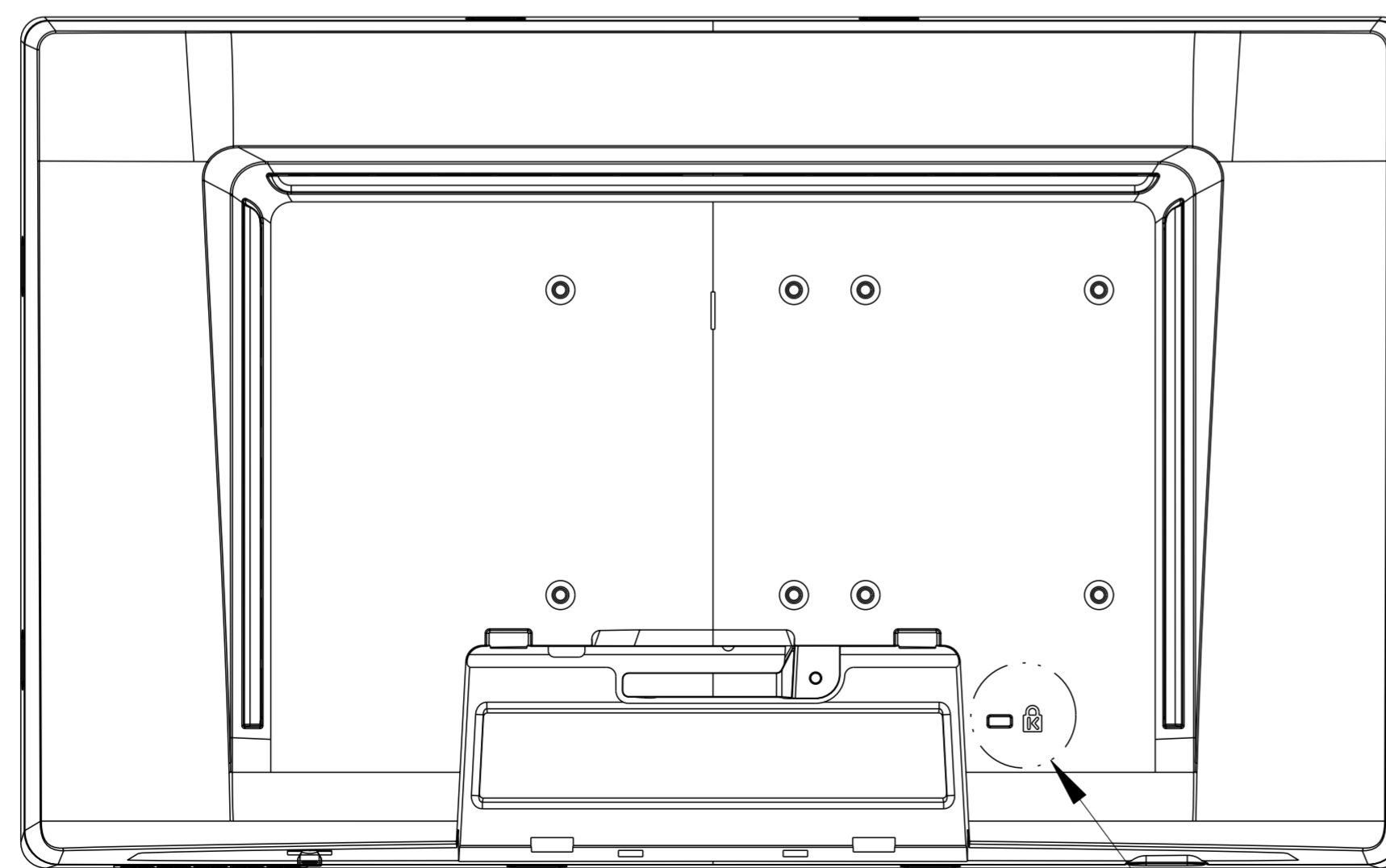
DVI

VGA

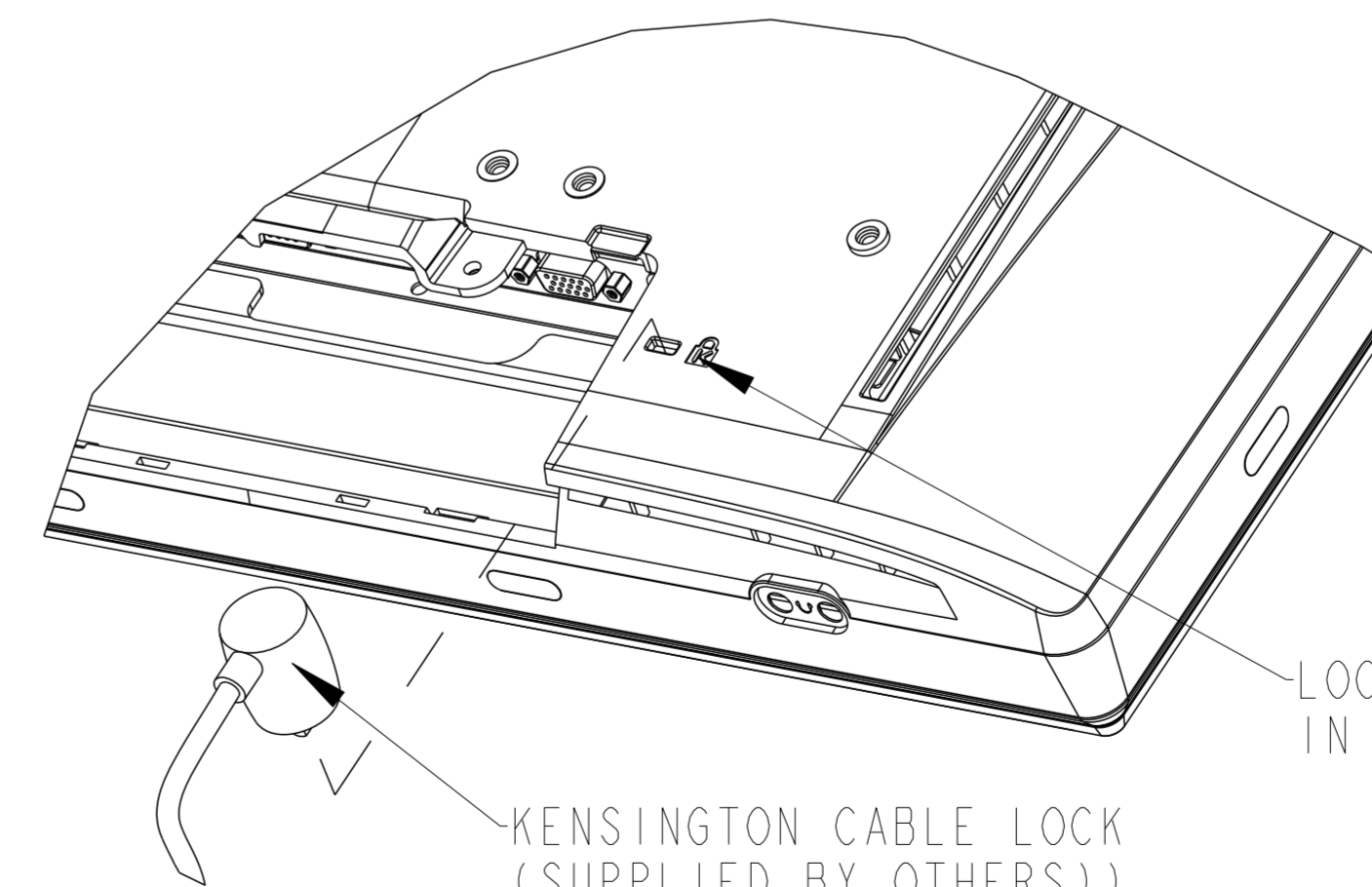


1919LM

KENSINGTON LOCK DETAIL



KENSINGTON LOCK RECEPTACLE

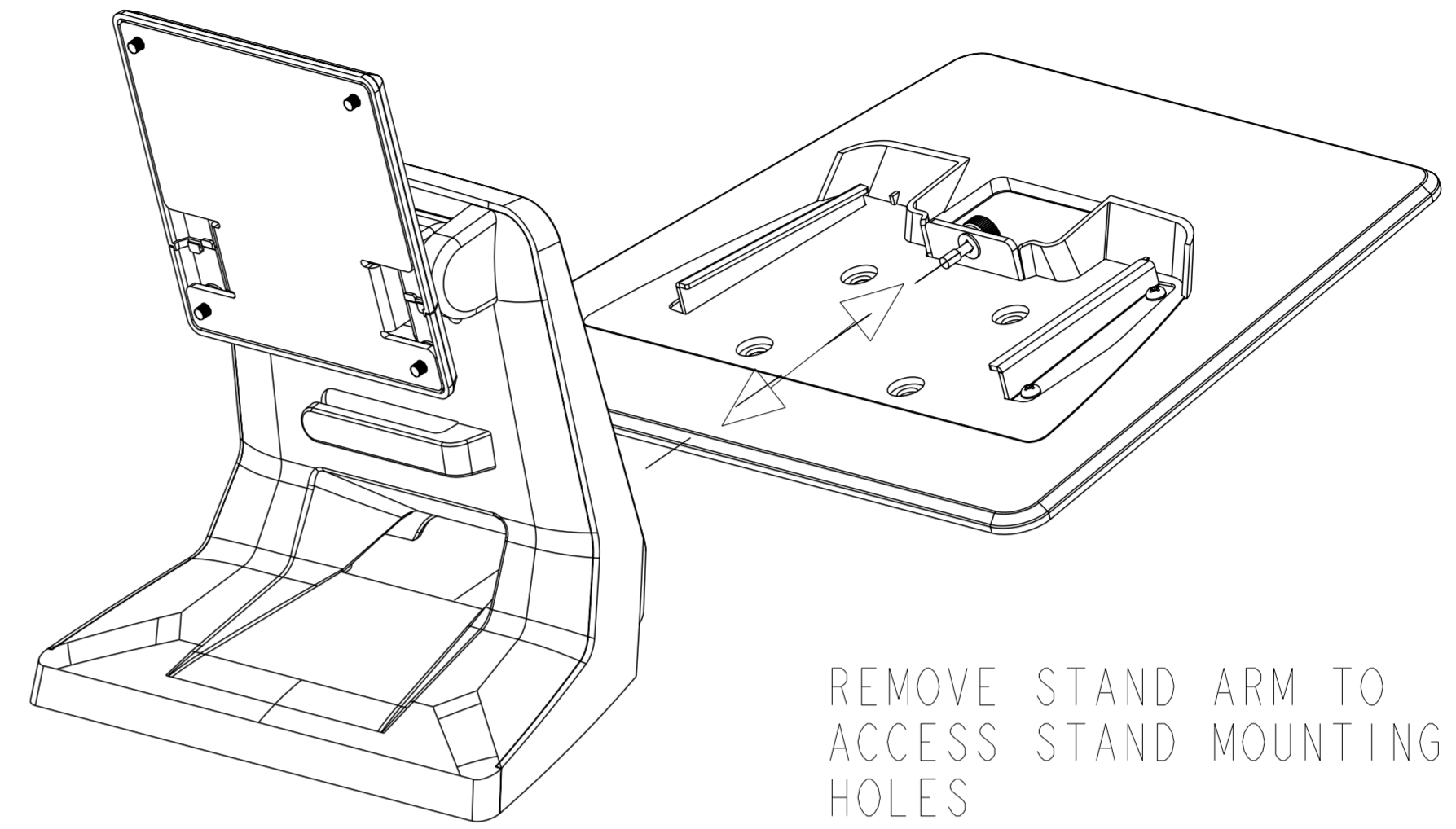
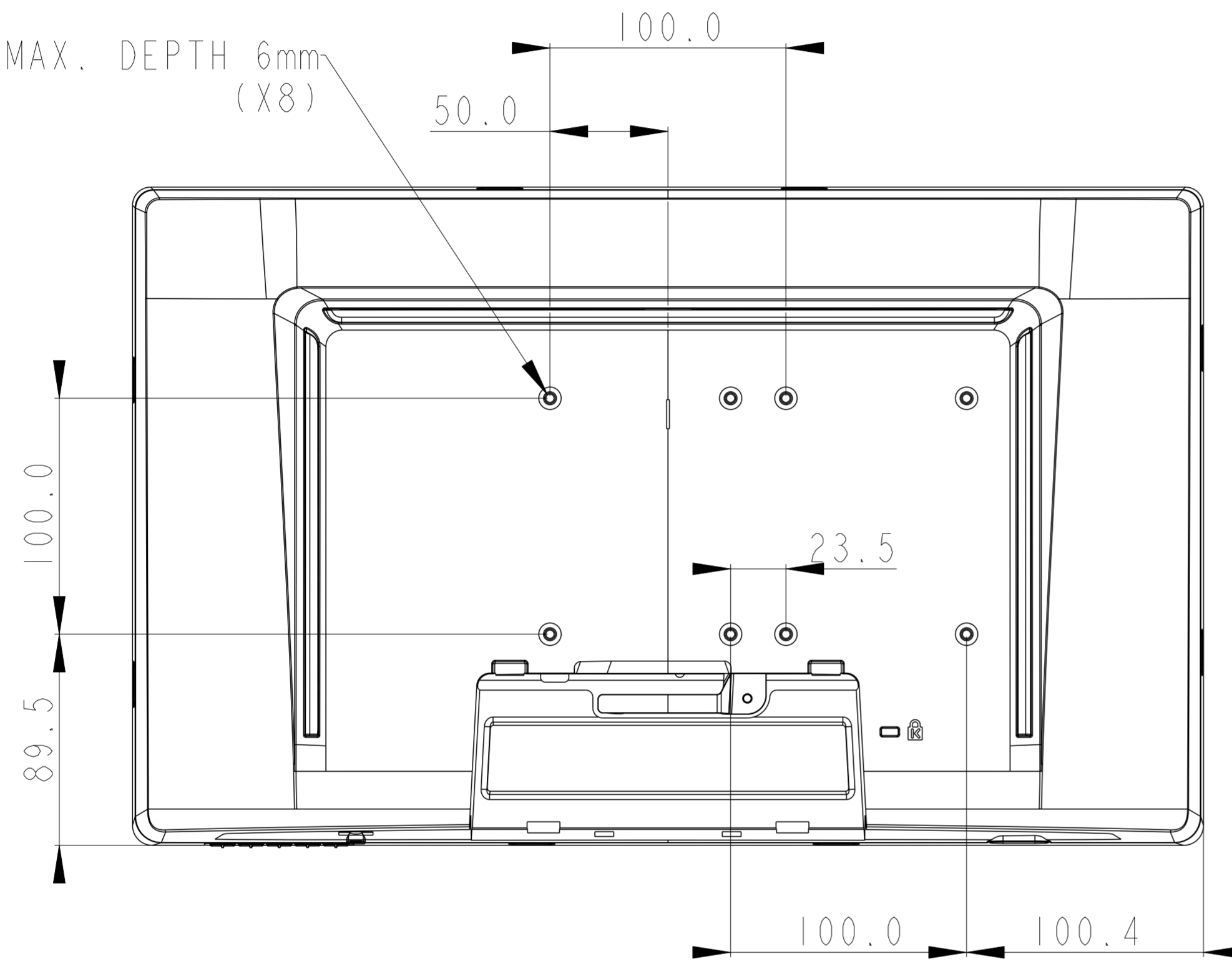


LOCK RECEPTICAL
 IN BACK COVER

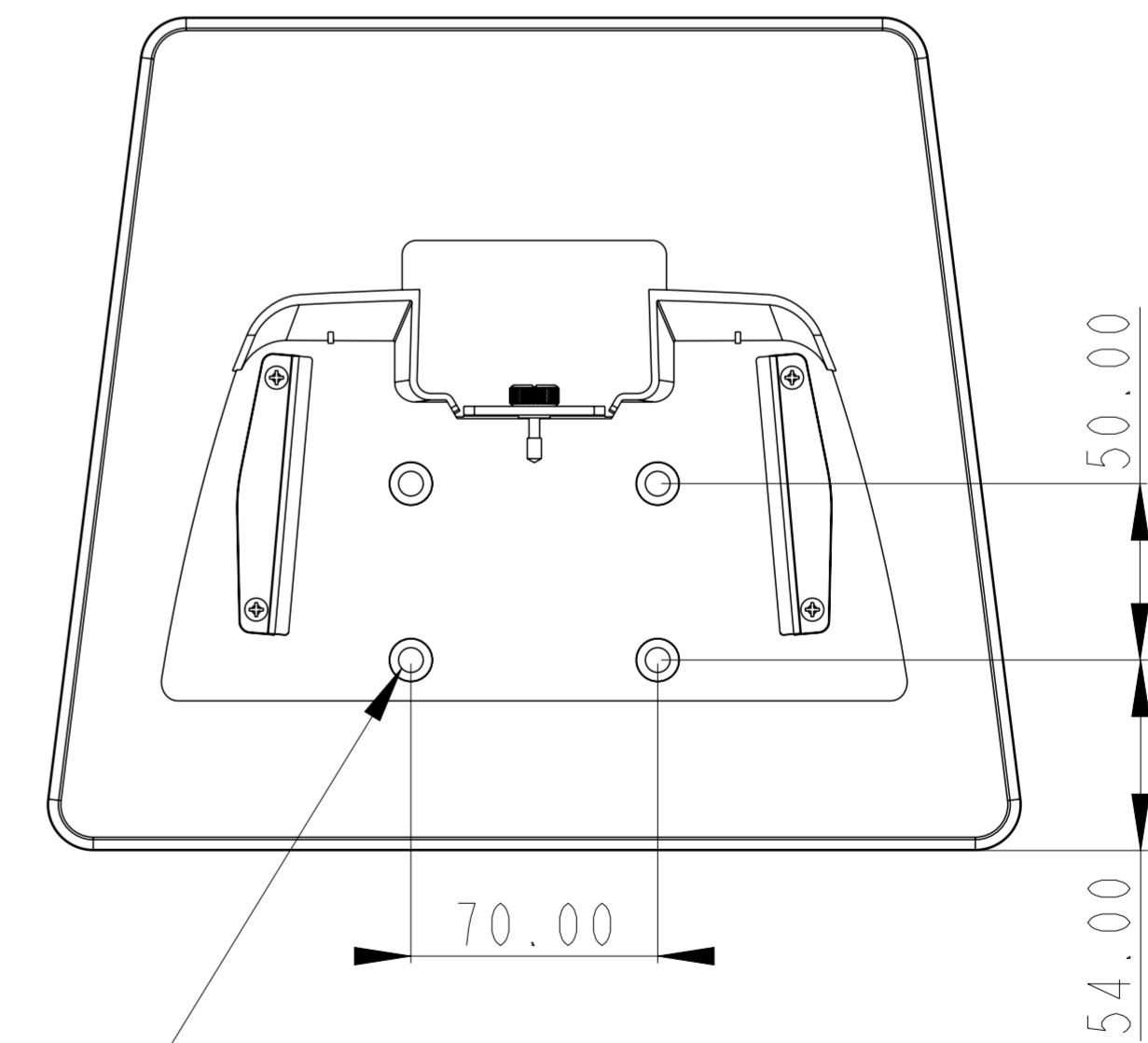
KENSINGTON CABLE LOCK
 (SUPPLIED BY OTHERS)

VESA MOUNT

M4 THREAD MAX. DEPTH 6mm
(X8)



Option 1



Top View

Ø7MM TROUGH HOLE, 6MM FROM BASE BOTTOM,
MAX. SCREW HEAD DIA. = Ø11MM,
MAX. HEAD HEIGHT = 6MM
(X4)