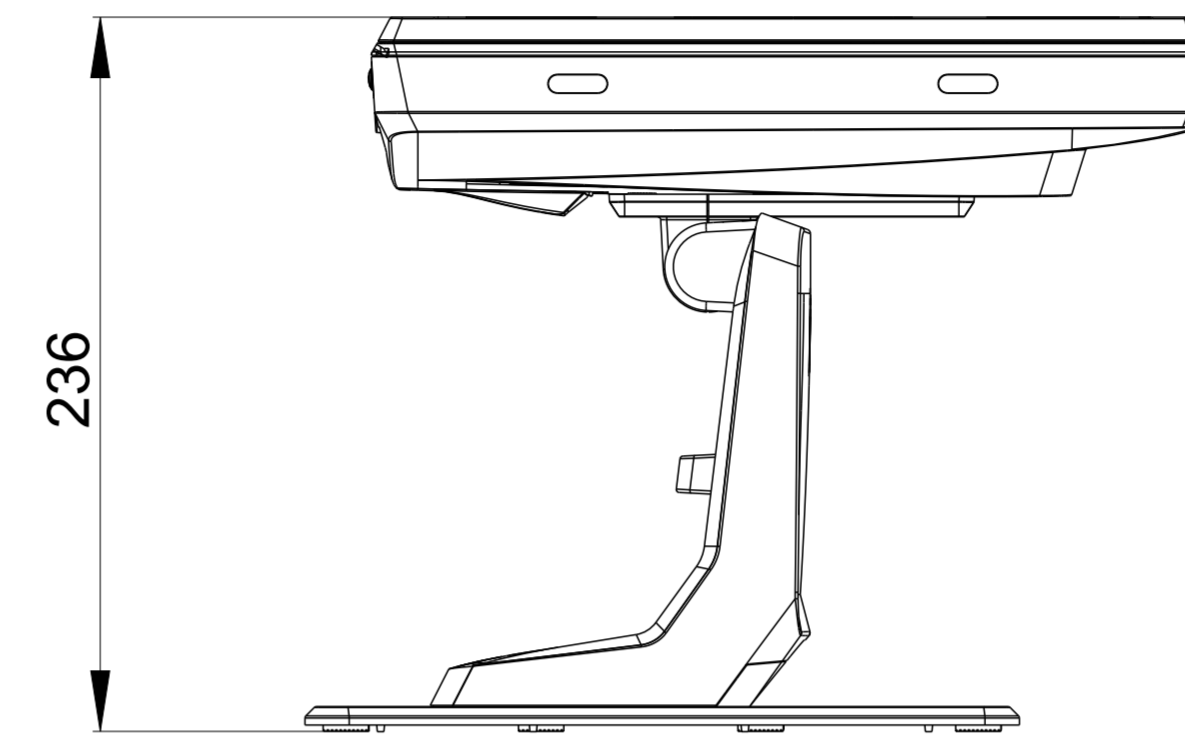
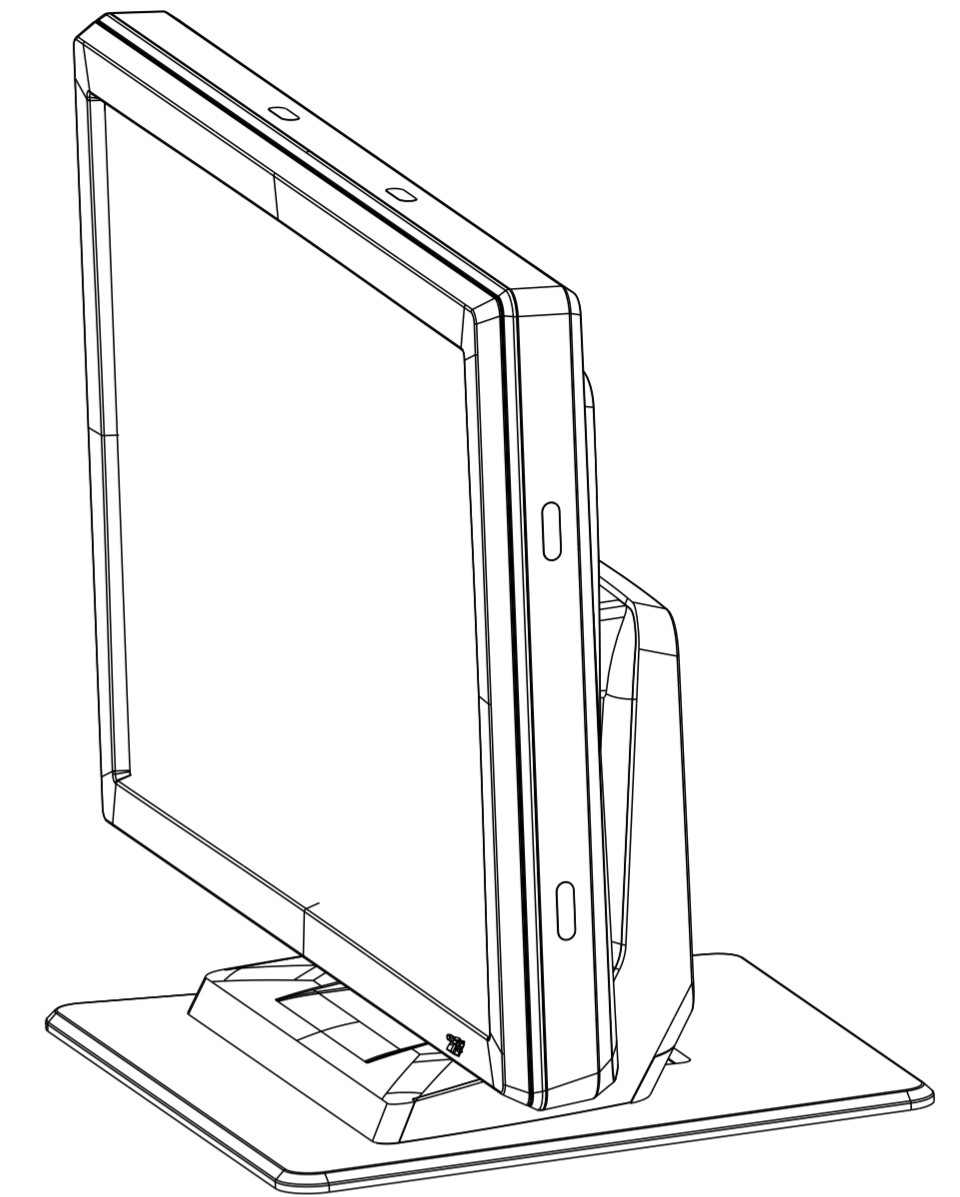


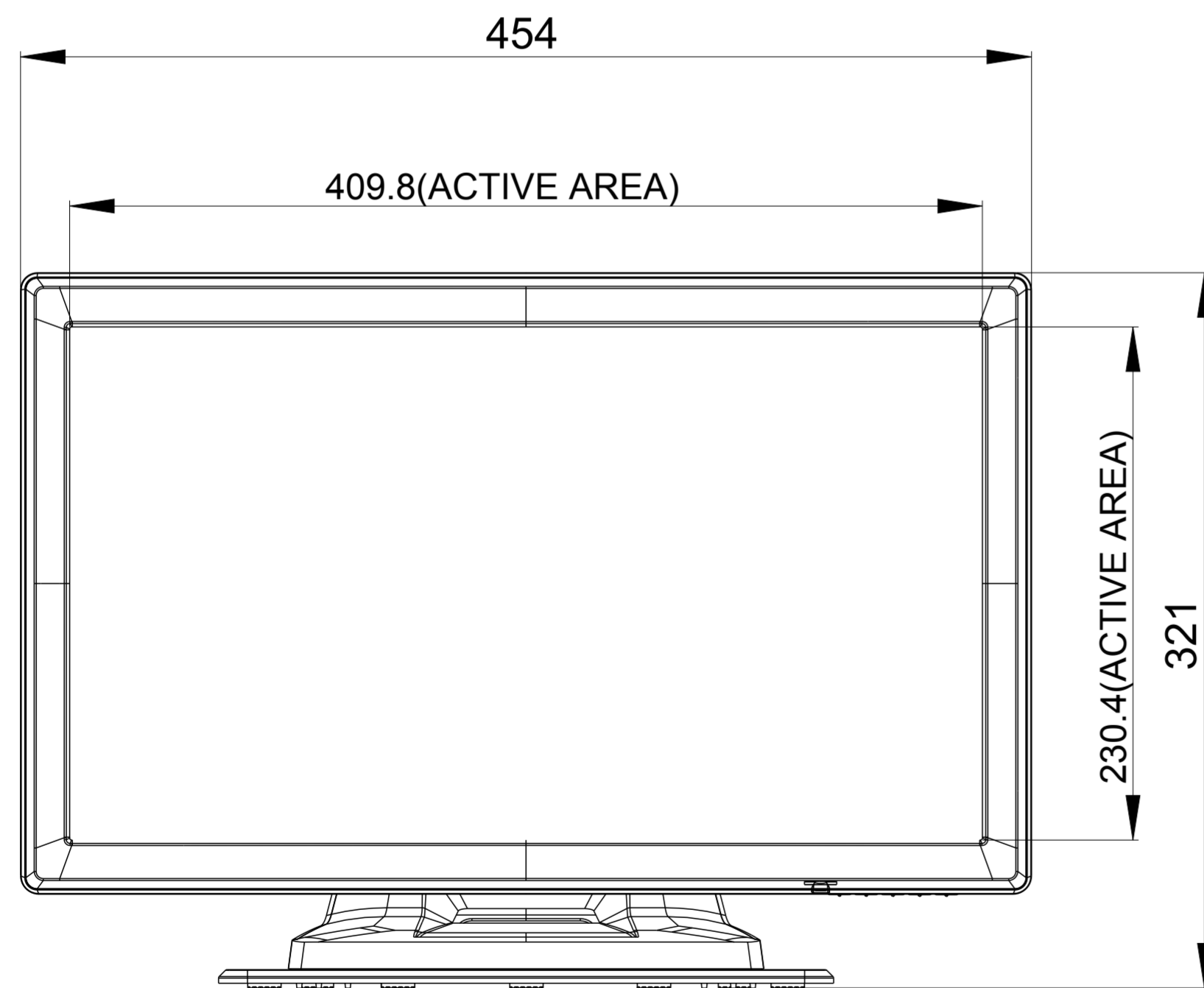
TILT: -3° FROM VERT



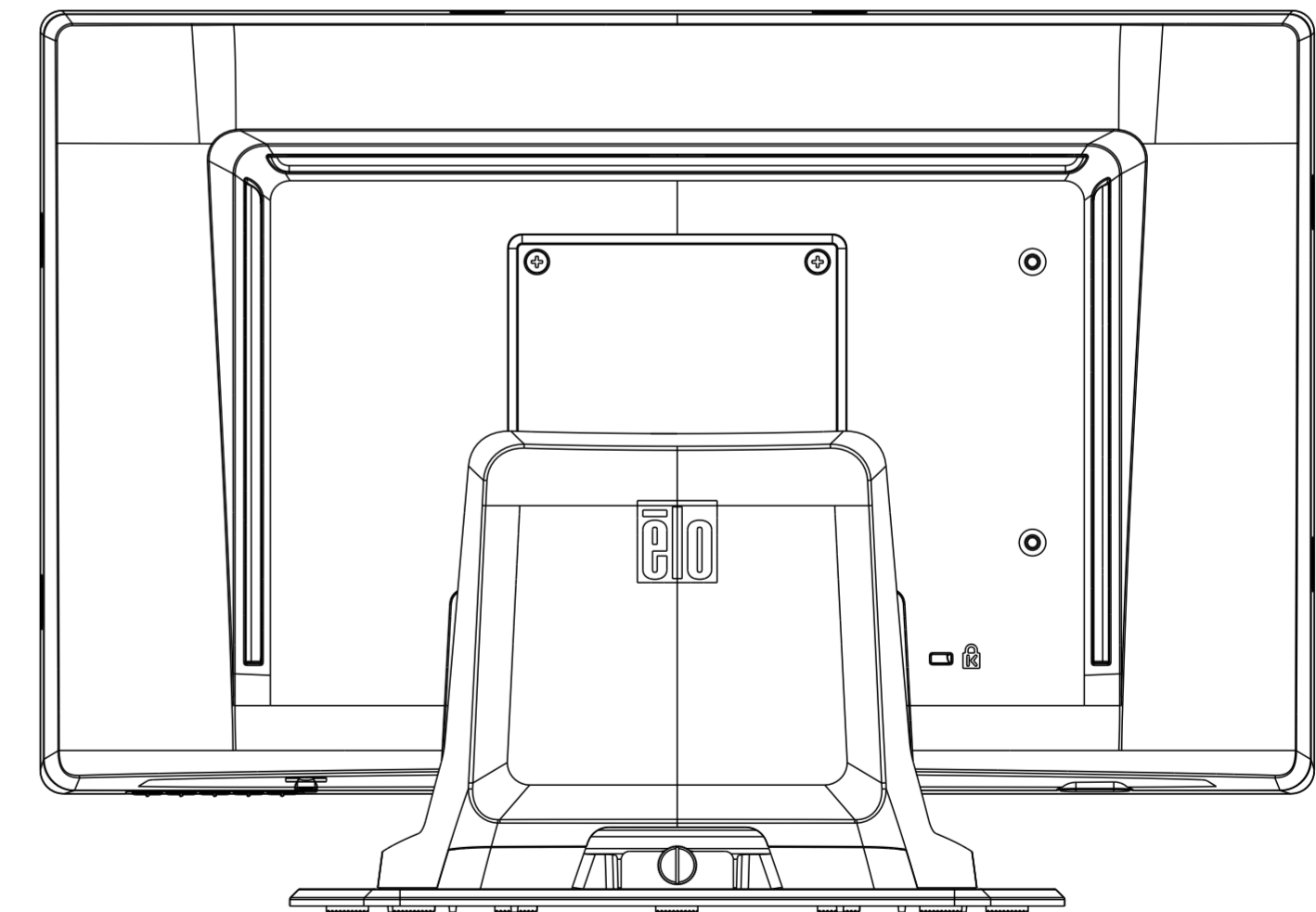
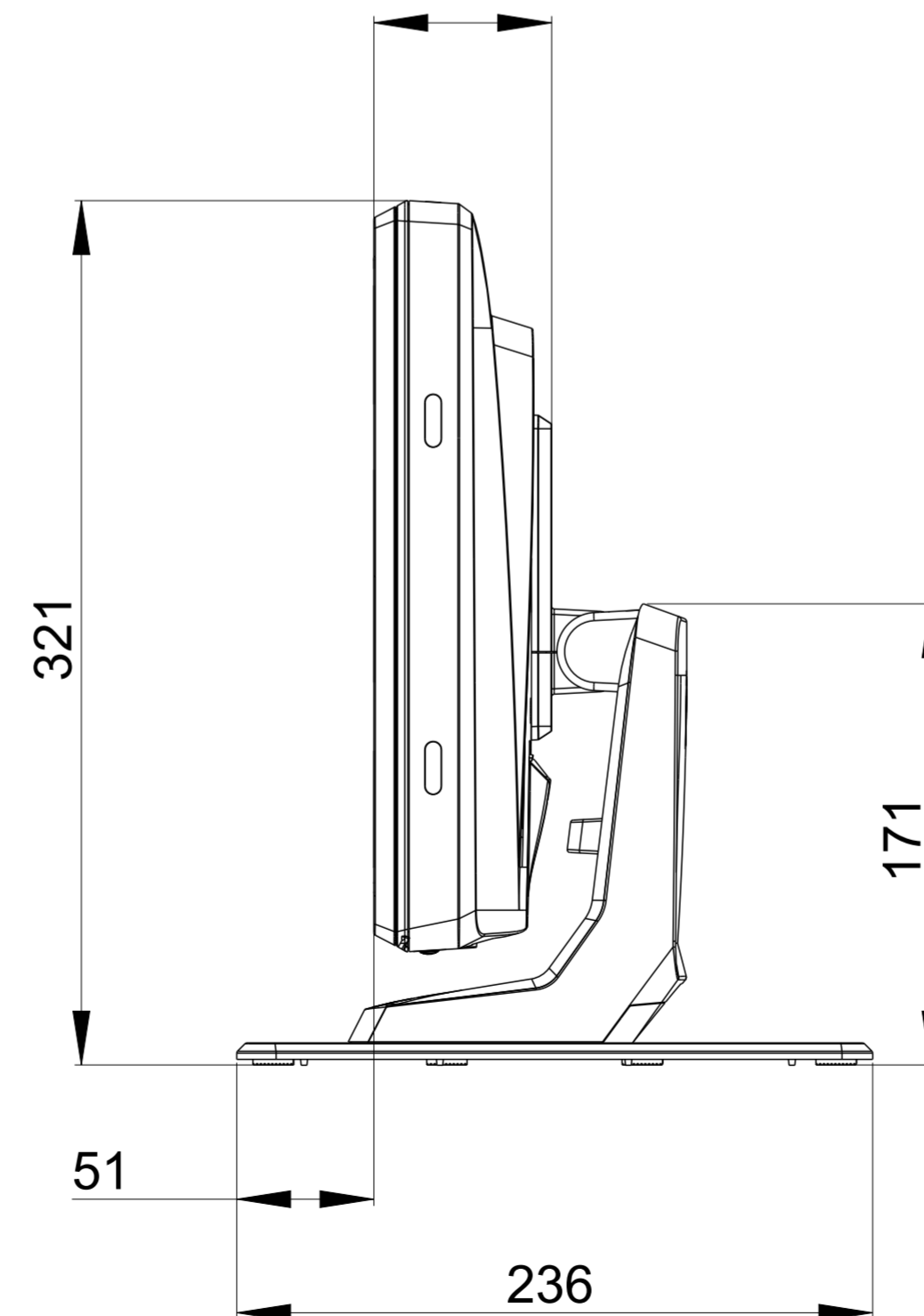
TILT: 90° FROM VERT

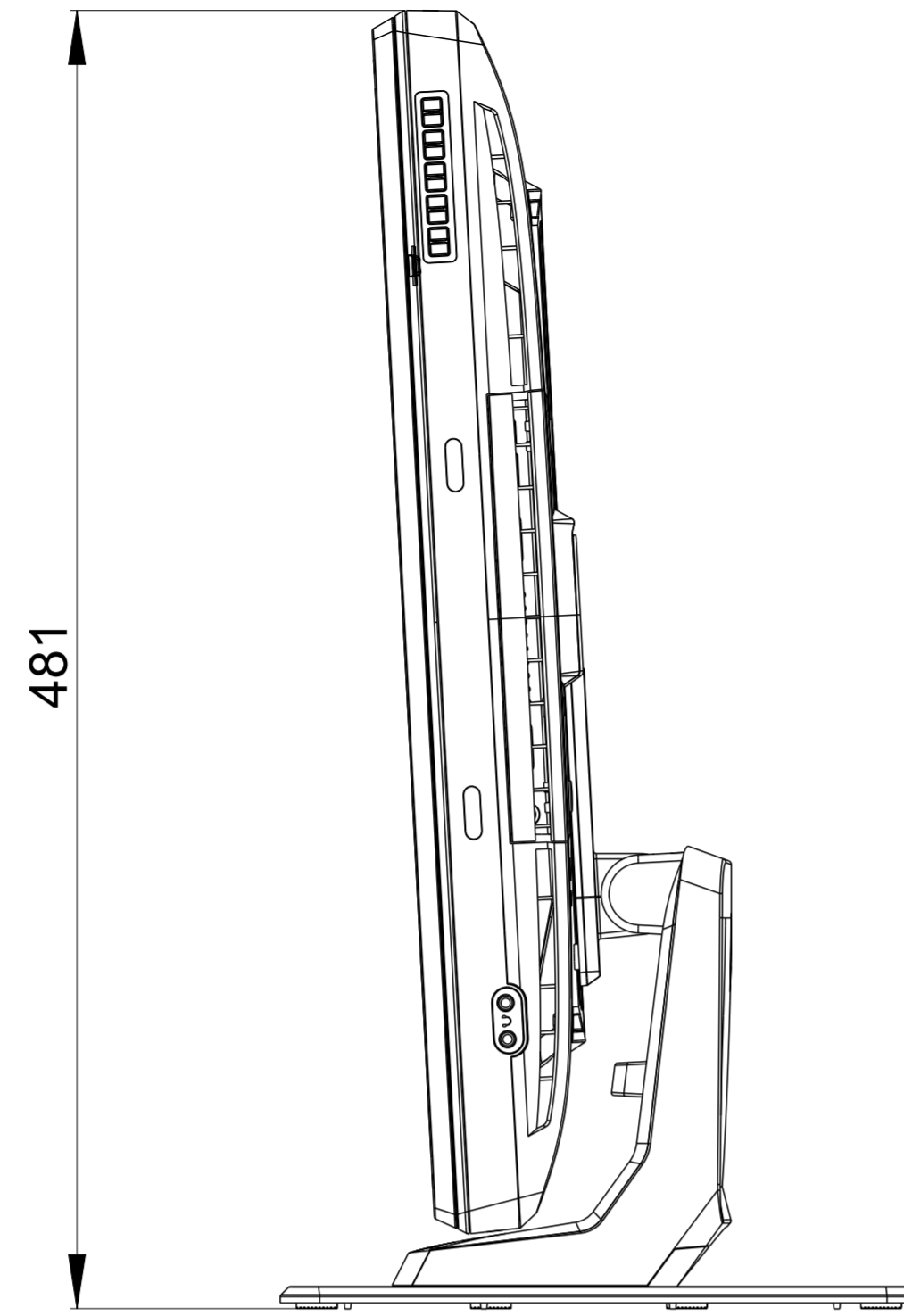


SCALE 0.400

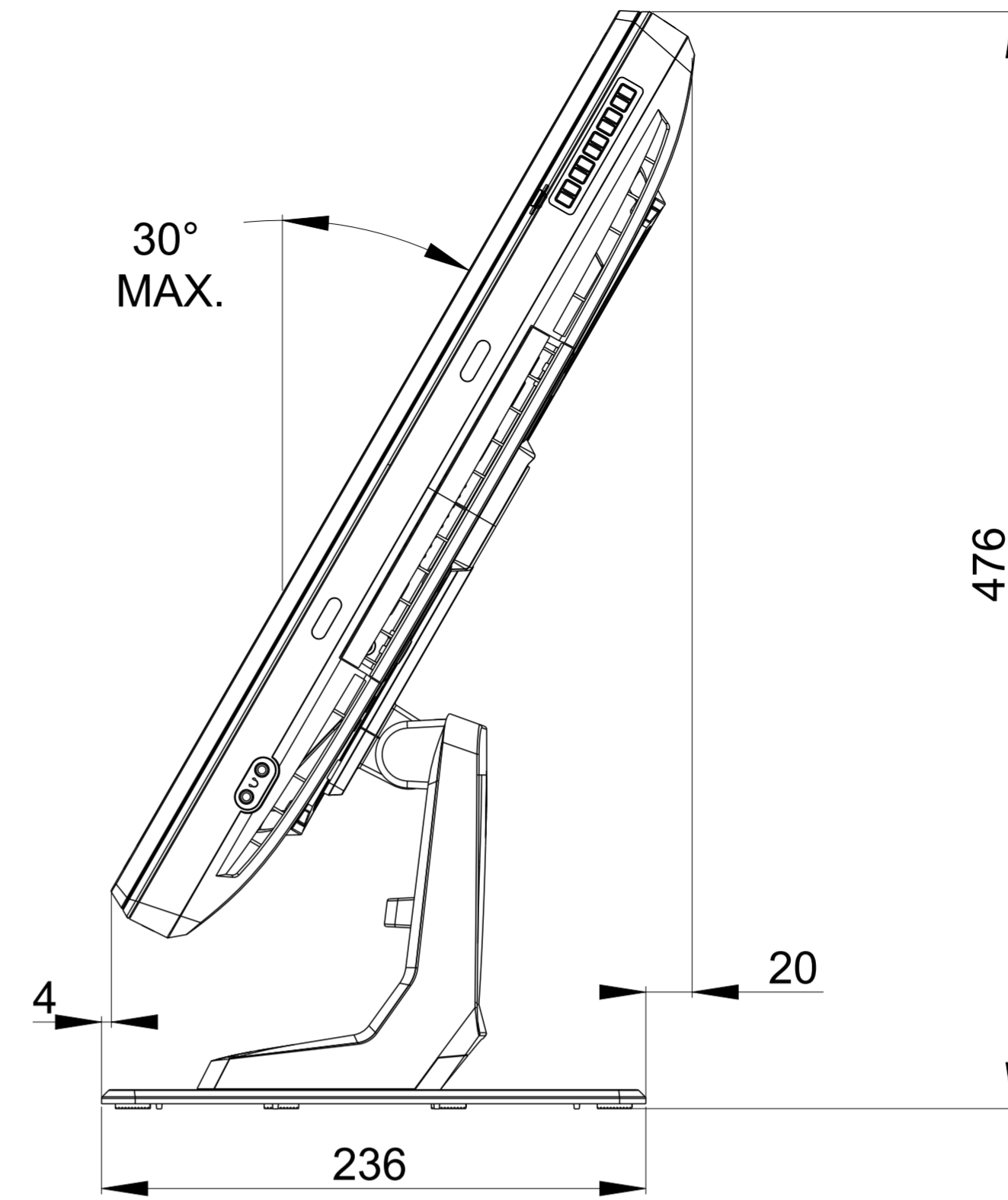


IT=66
AT=62
APR=61

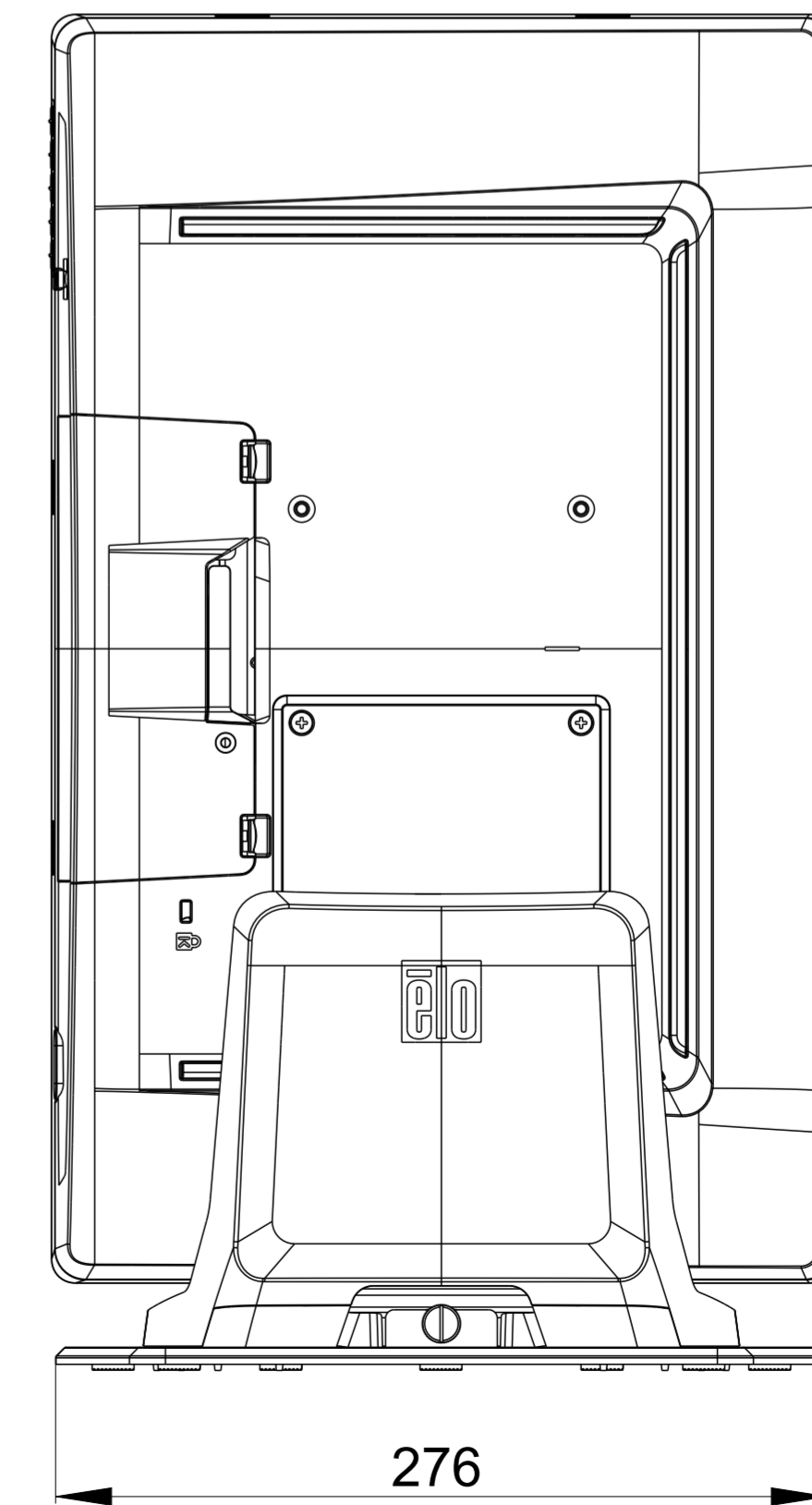
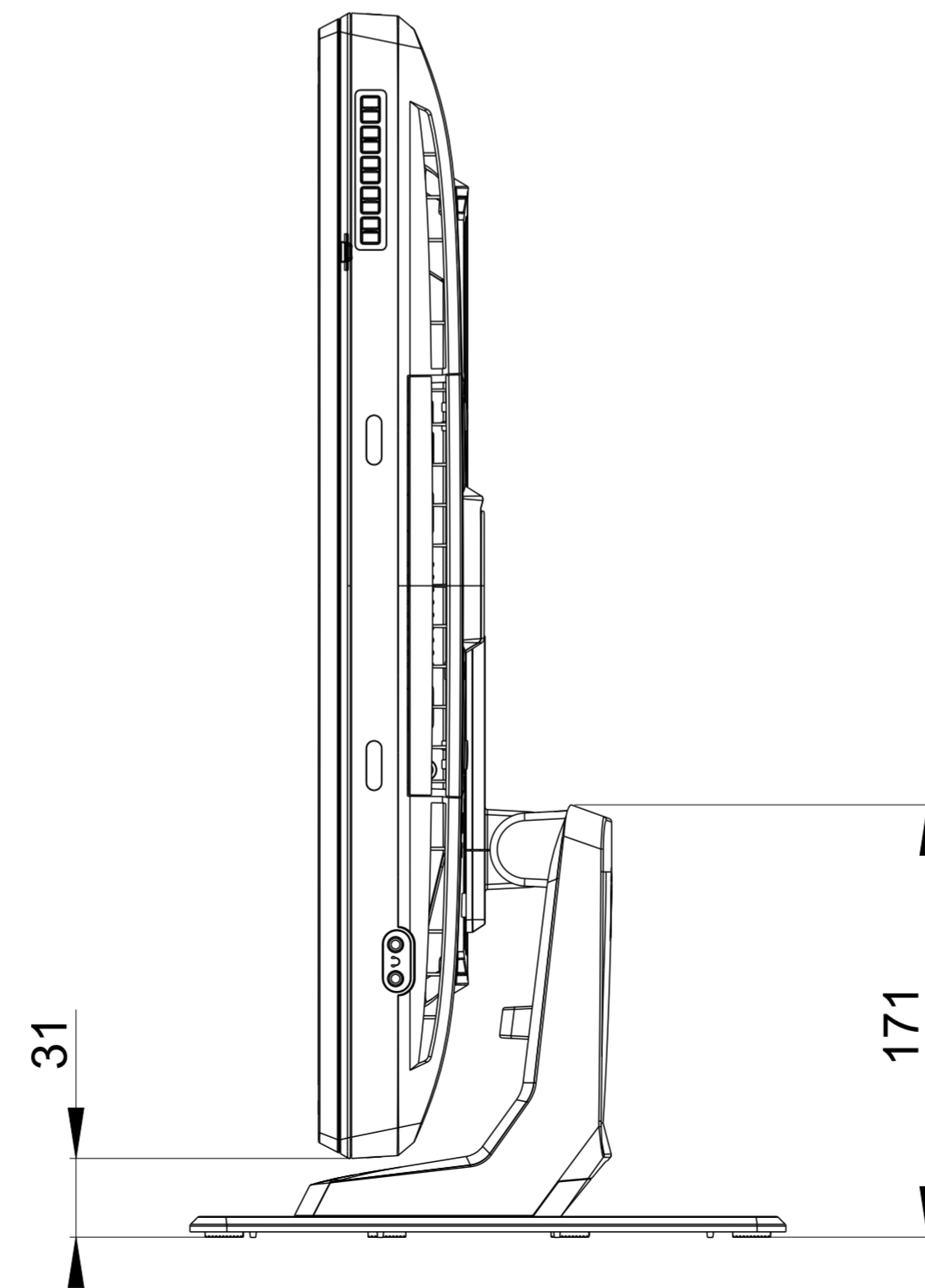
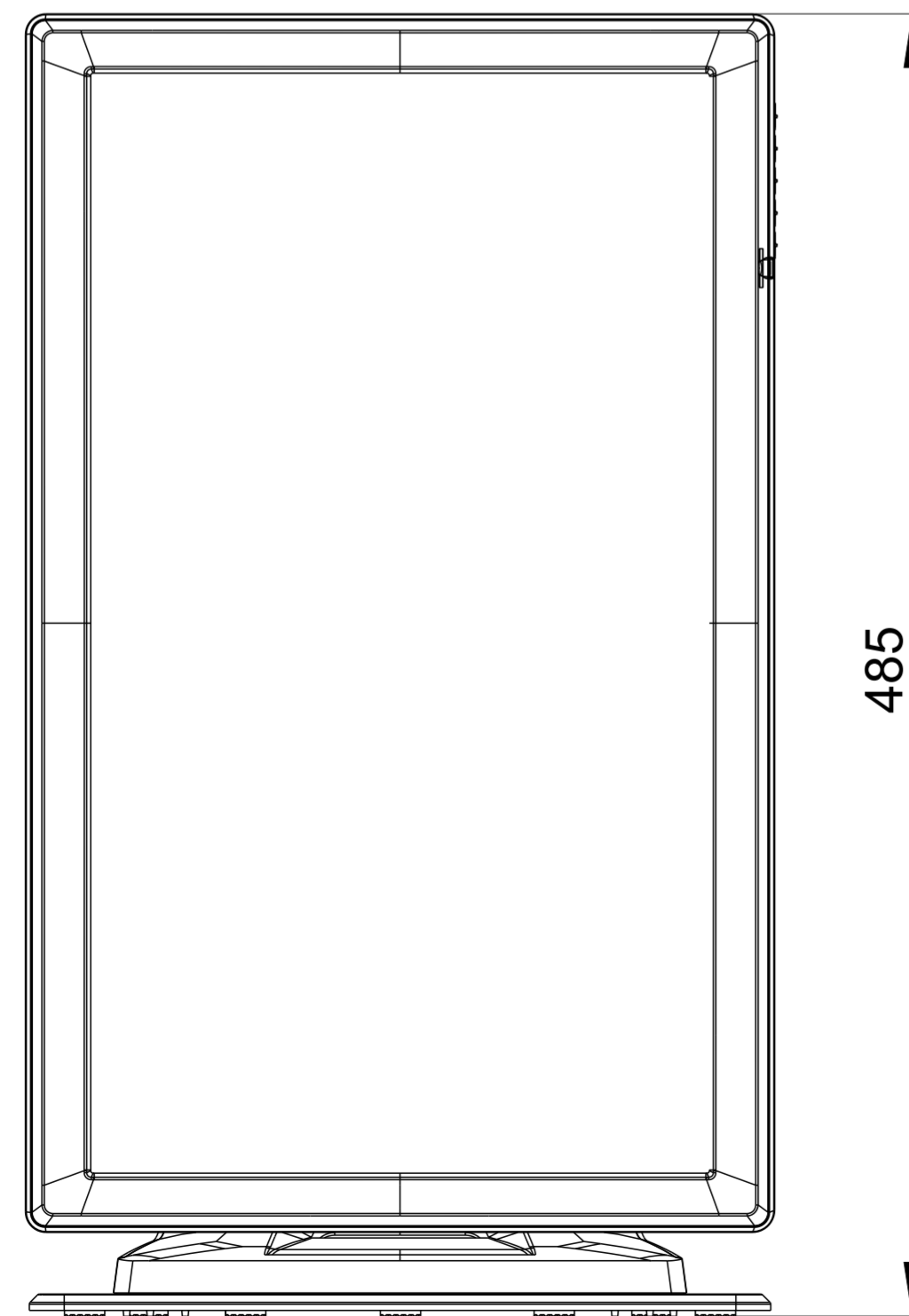




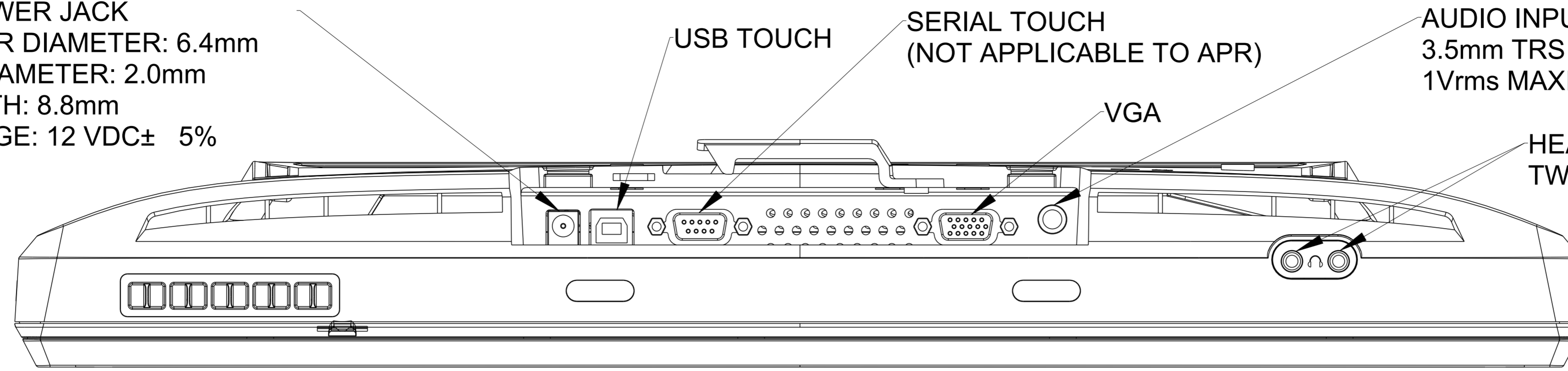
TILT: -3° FROM VERT



TILT: 30° MAX FROM VERT



DC INPUT POWER JACK
 BARREL INNER DIAMETER: 6.4mm
 PIN OUTER DIAMETER: 2.0mm
 BARREL DEPTH: 8.8mm
 INPUT VOLTAGE: 12 VDC± 5%



1919L

USB TOUCH

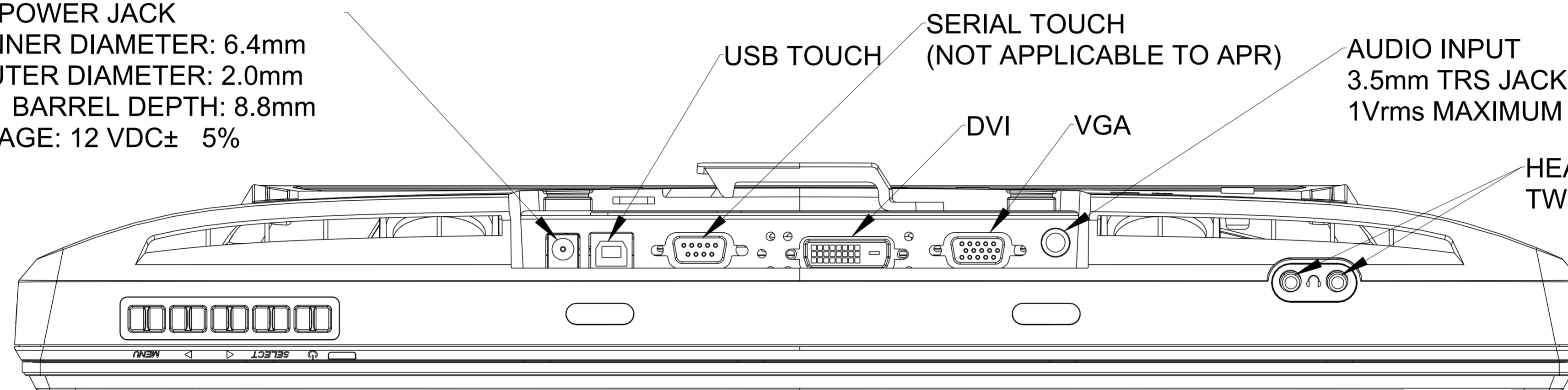
SERIAL TOUCH
 (NOT APPLICABLE TO APR)

AUDIO INPUT
 3.5mm TRS JACK
 1Vrms MAXIMUM

VGA

HEADPHONE OUTPUTS
 TWO 3.5MM TRS JACKS

DC INPUT POWER JACK
 BARREL INNER DIAMETER: 6.4mm
 PIN OUTER DIAMETER: 2.0mm
 BARREL DEPTH: 8.8mm
 INPUT VOLTAGE: 12 VDC± 5%



1919LM

USB TOUCH

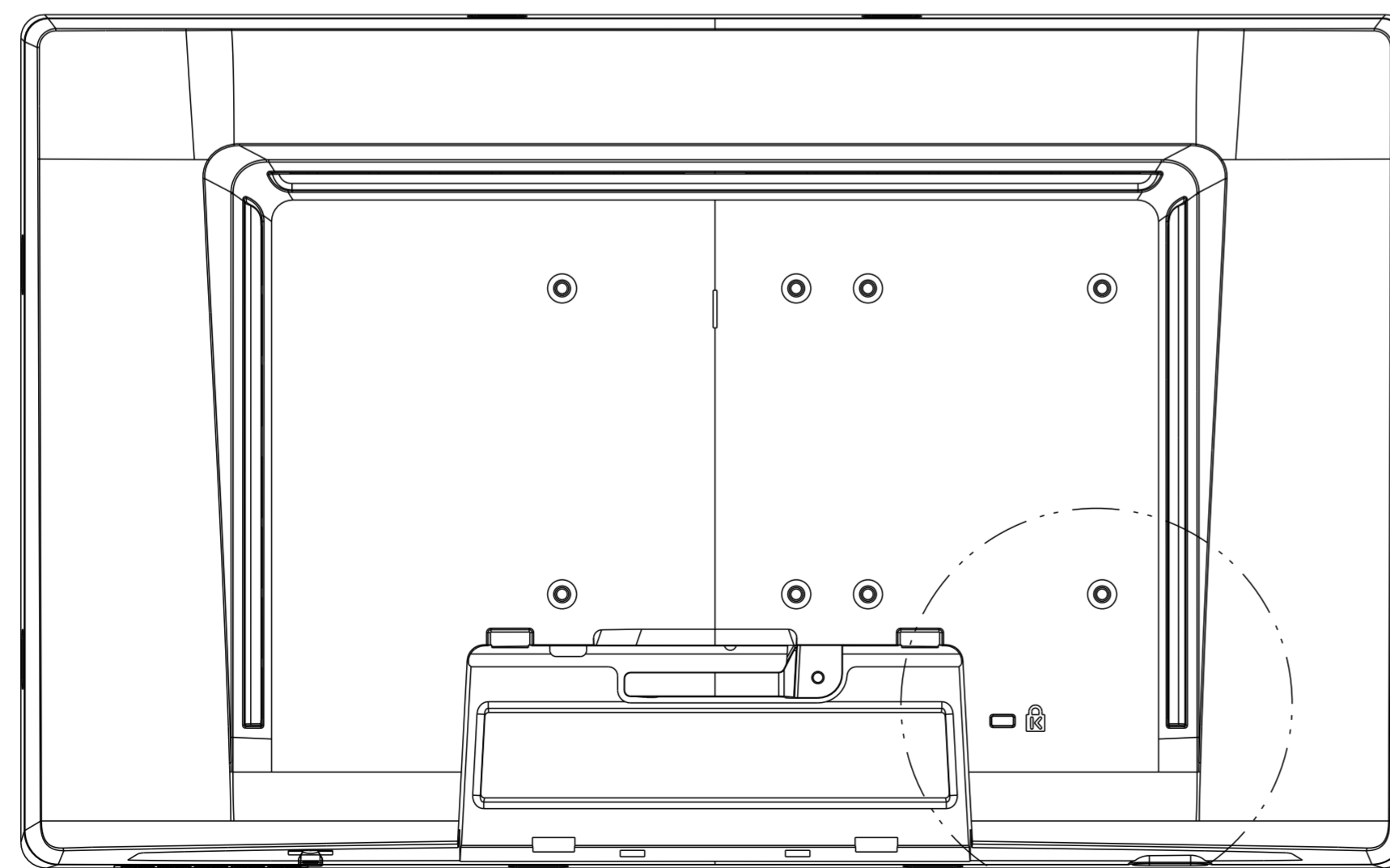
SERIAL TOUCH
 (NOT APPLICABLE TO APR)

AUDIO INPUT
 3.5mm TRS JACK
 1Vrms MAXIMUM

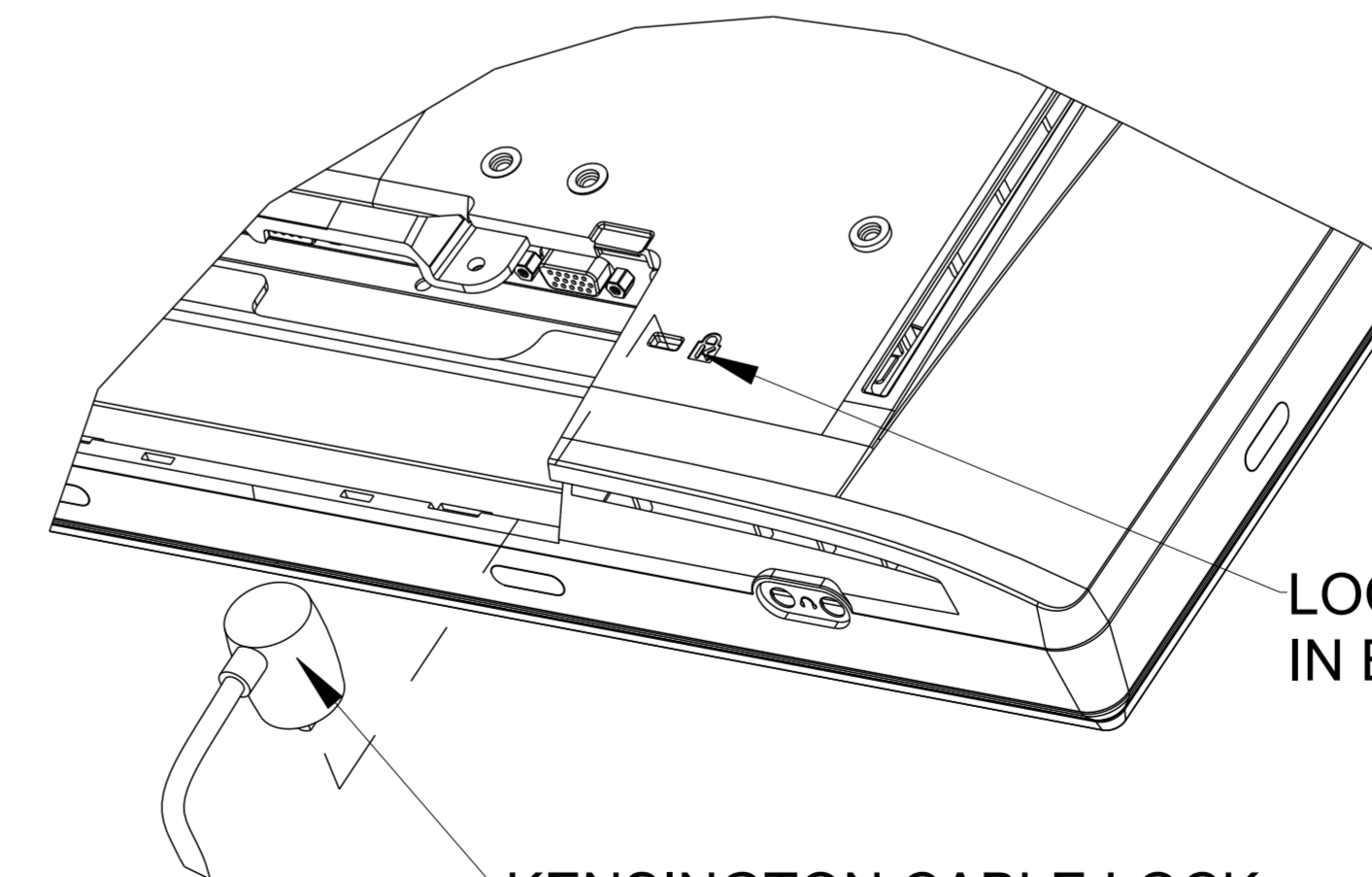
DVI VGA

HEADPHONE OUTPUTS
 TWO 3.5MM TRS JACKS

KENSINGTON LOCK DETAIL



KENSINGTON LOCK
 RECEPTACLE

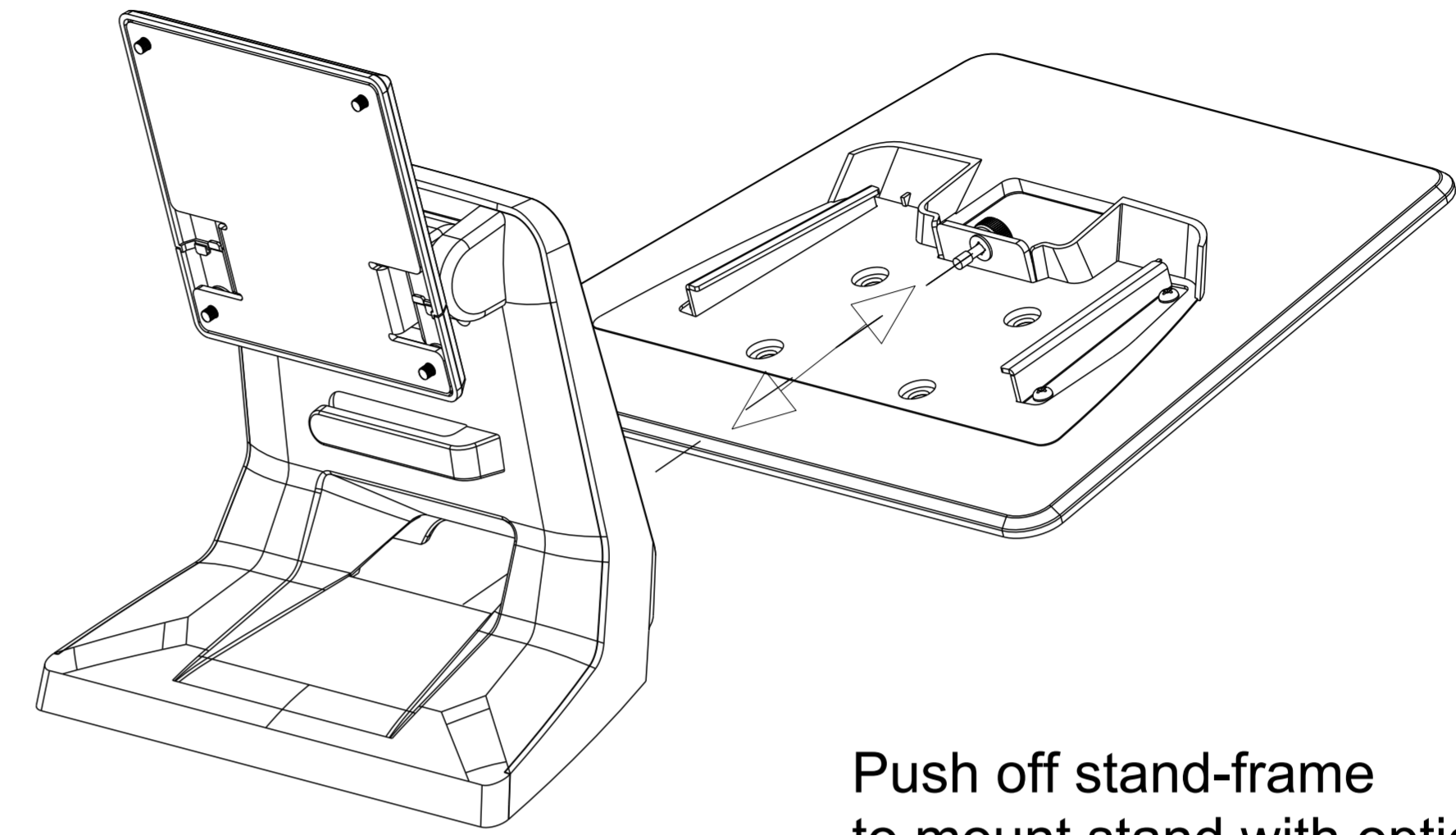
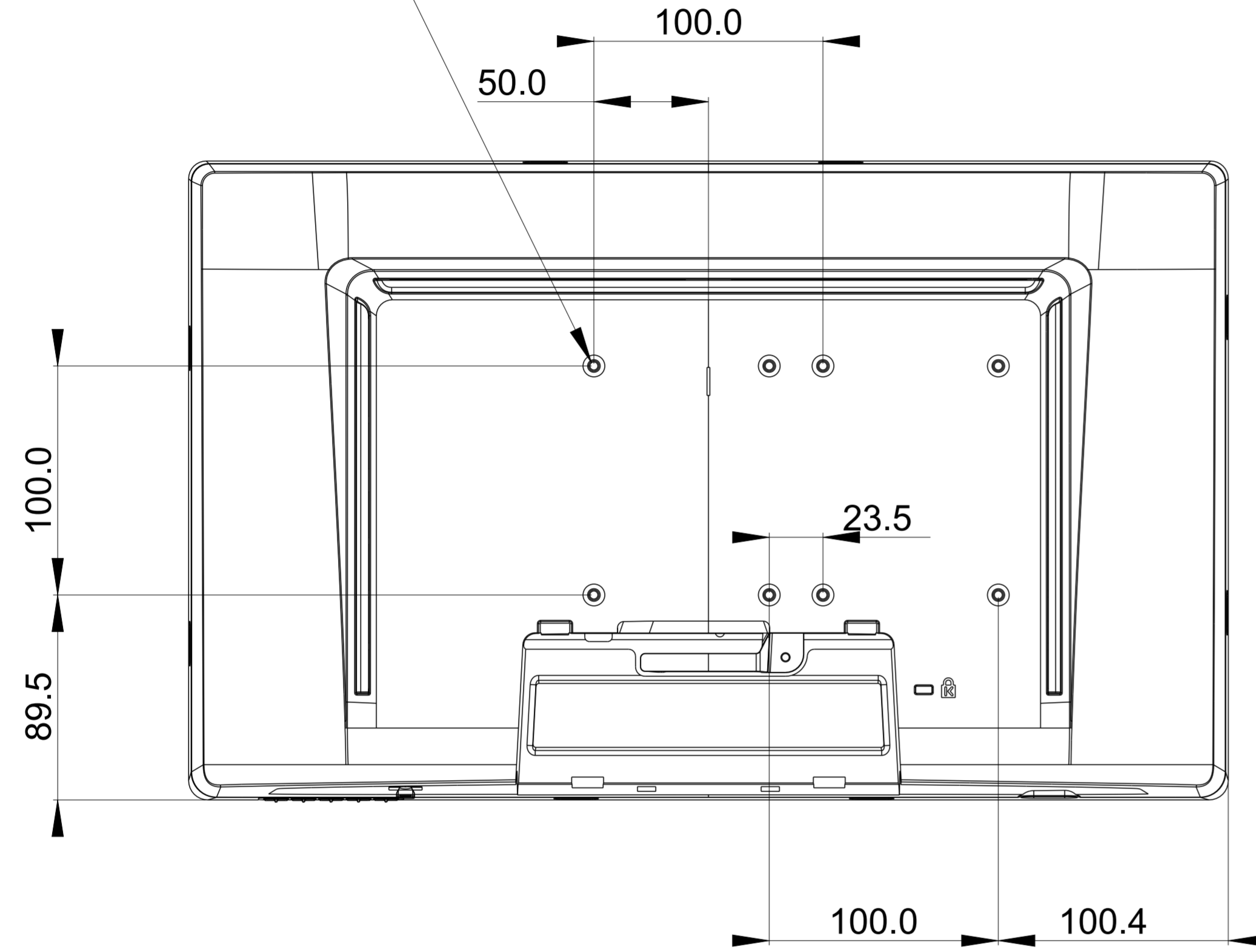


LOCK RECEPTICAL
 IN BACK COVER

KENSINGTON CABLE LOCK
 (SUPPLIED BY OTHERS))

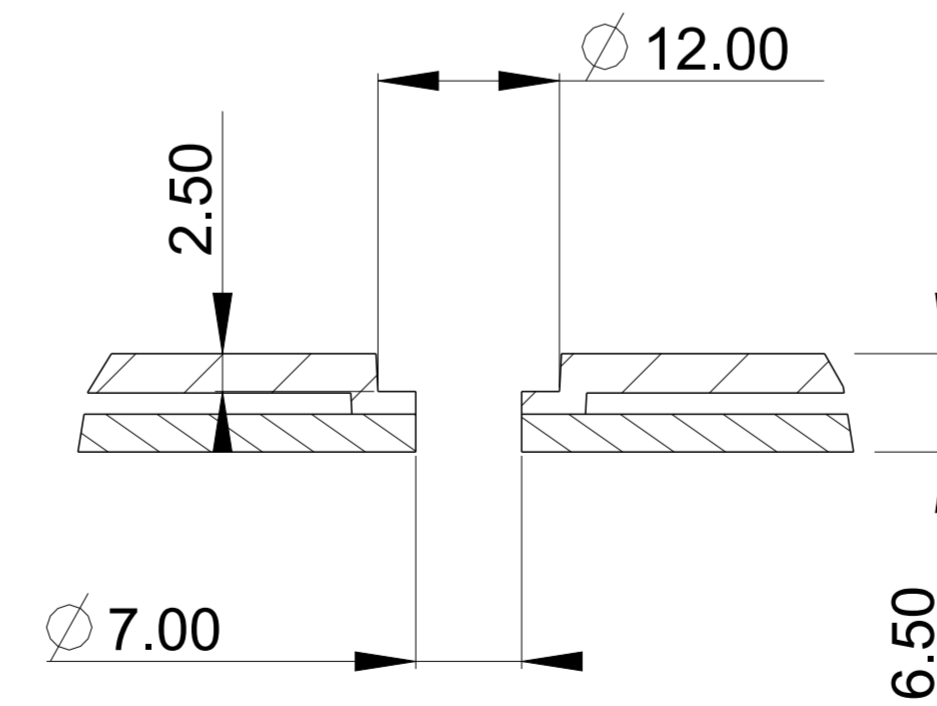
VESA MOUNT

M4 THREAD MAX. DEPTH 6mm
(X8)

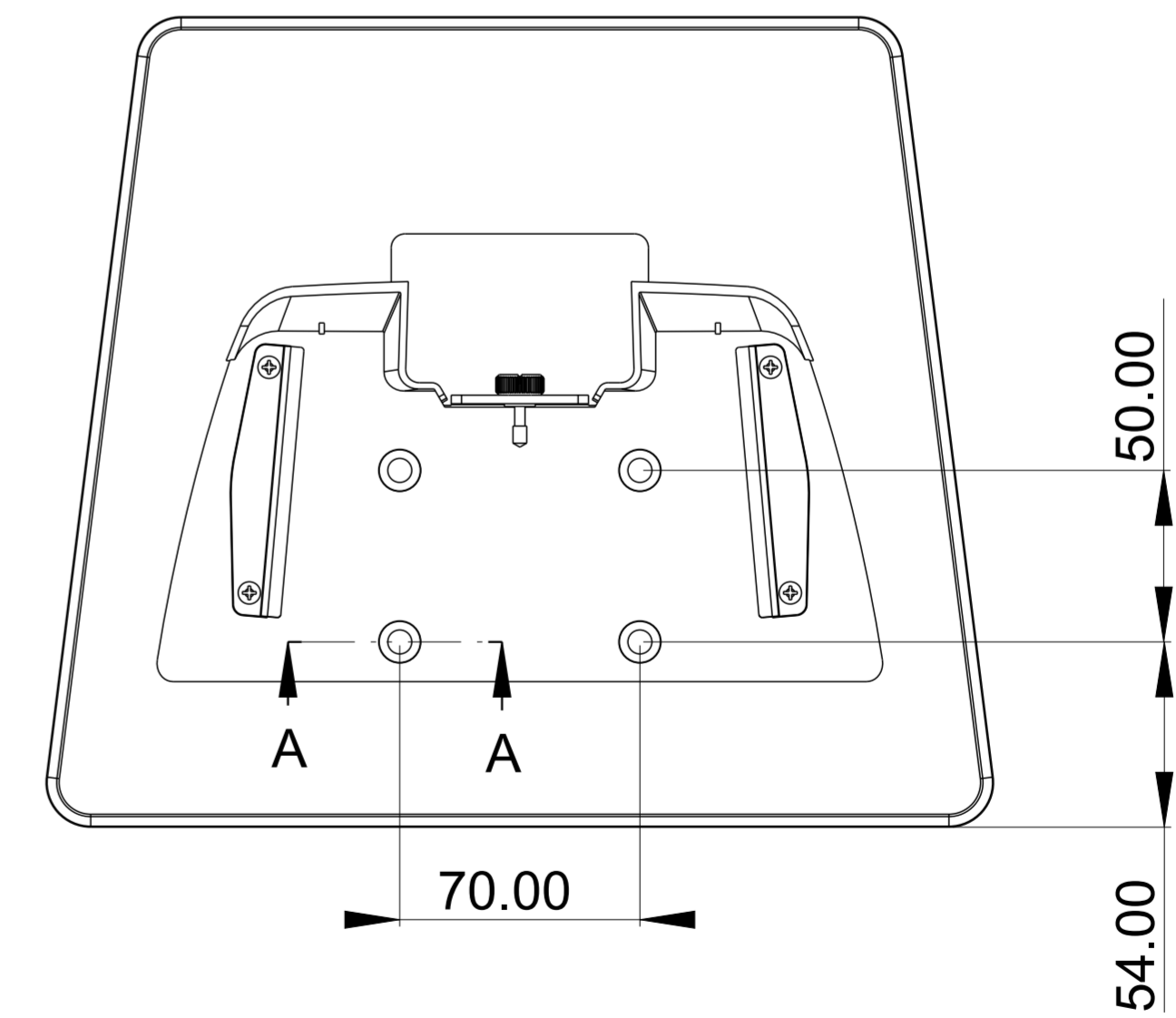


Push off stand-frame
to mount stand with option 1

Option 1



SECTION A-A
SCALE 2.000



Top View