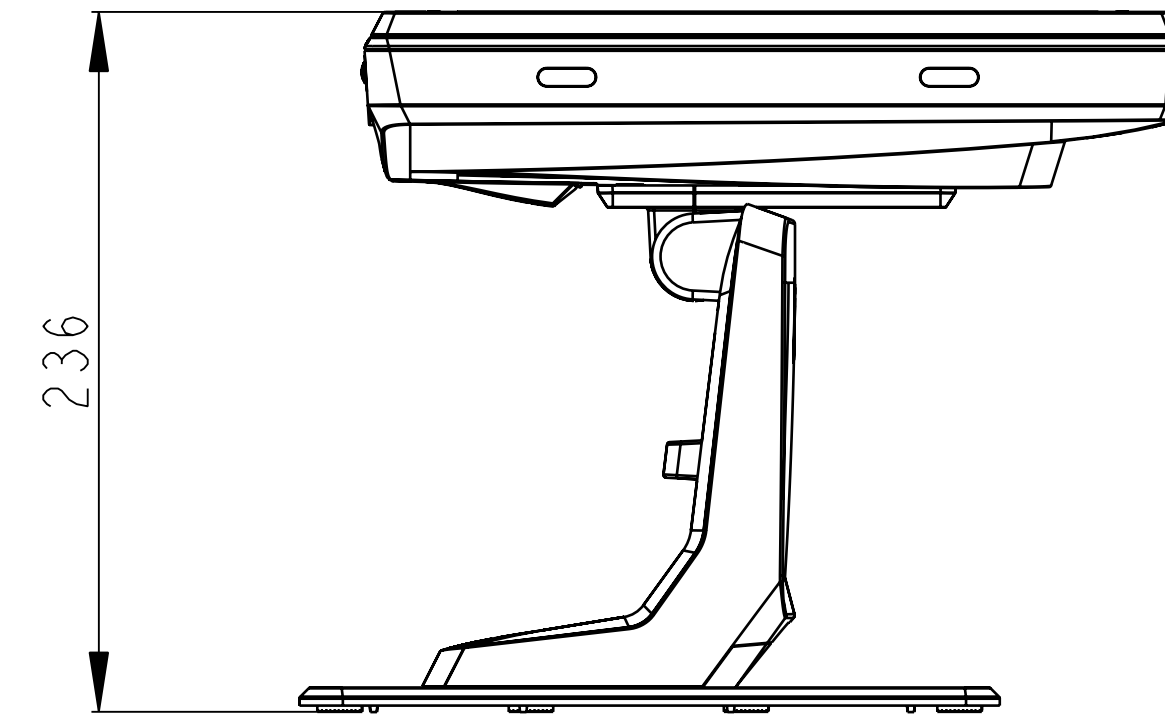
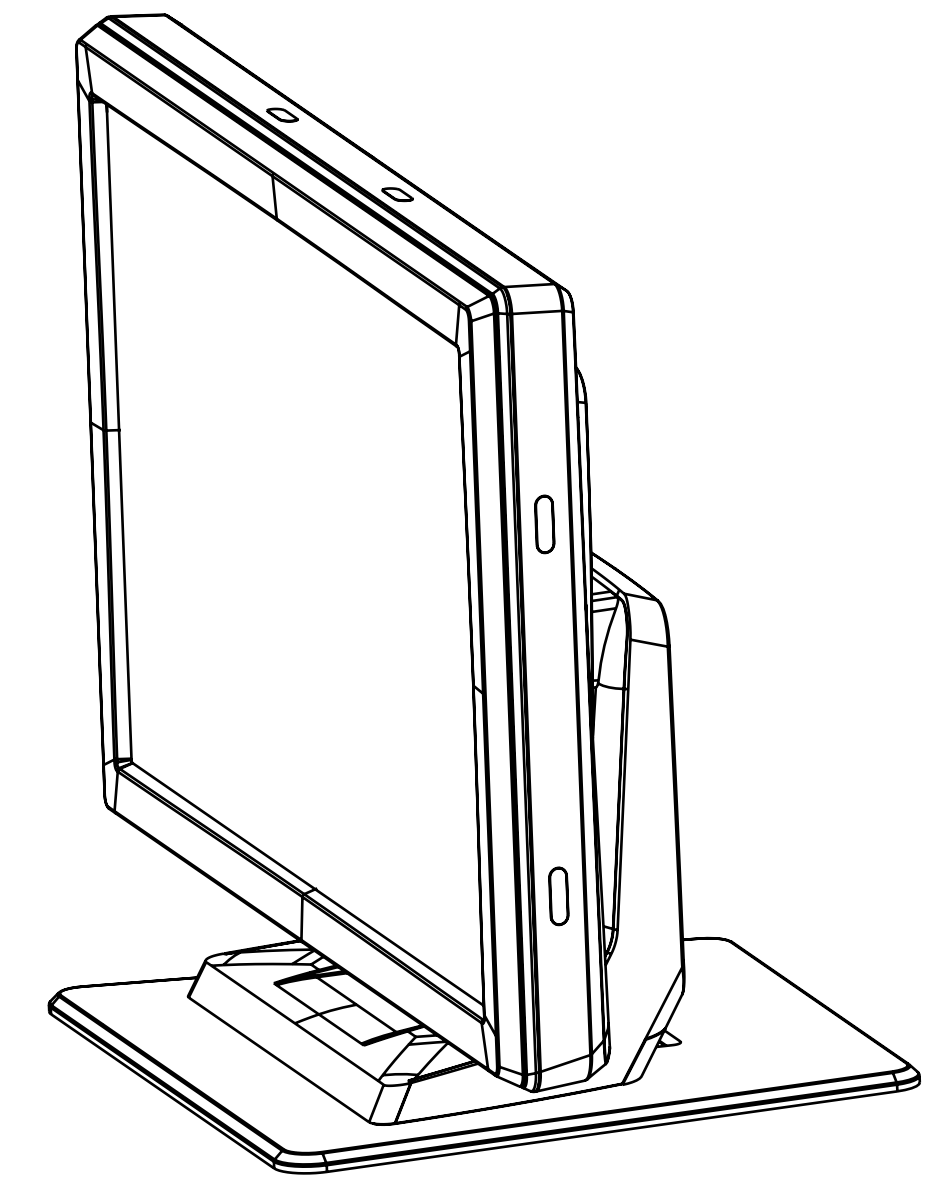


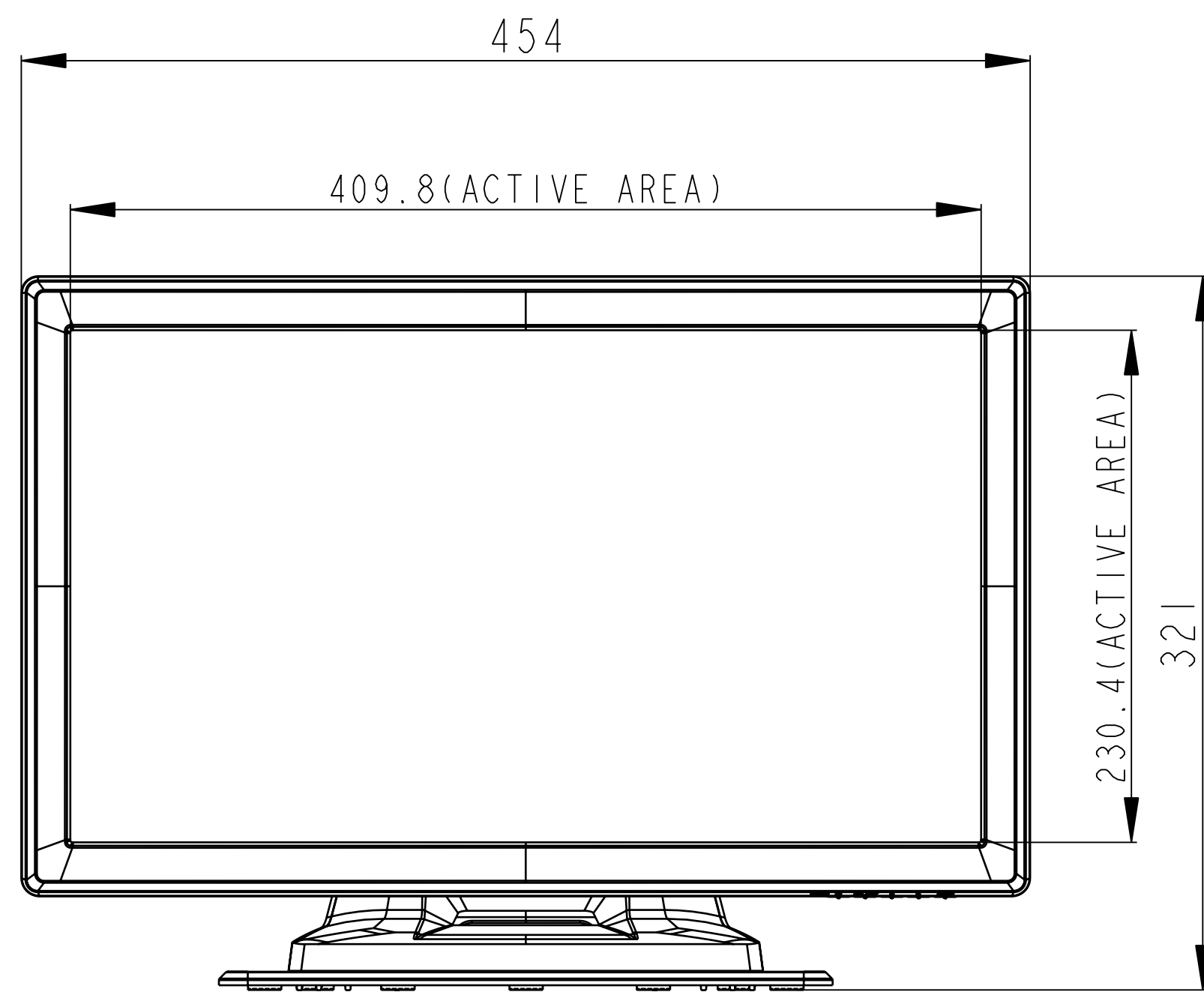
TILT: -3° FROM VERT



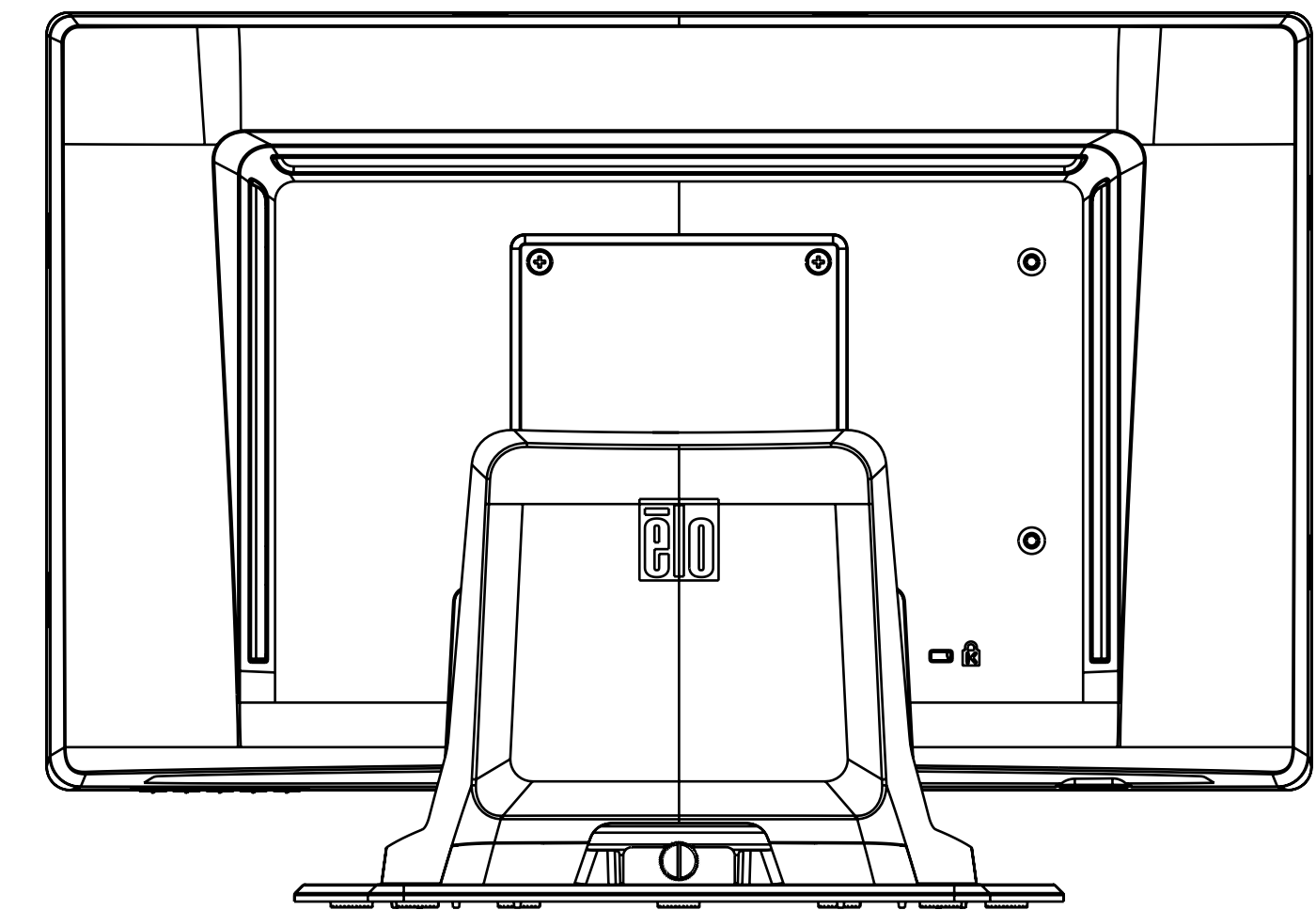
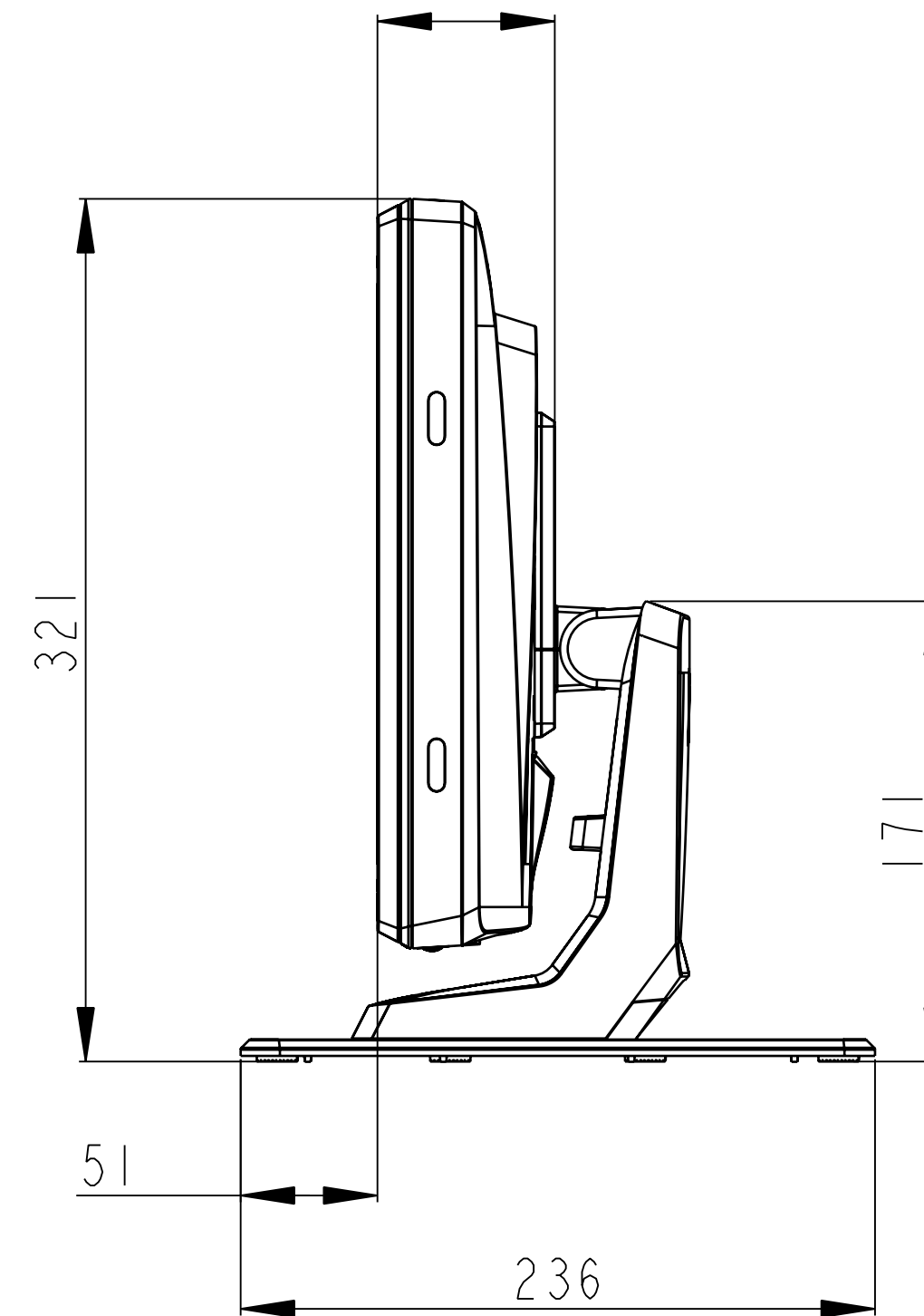
TILT: 90° FROM VERT

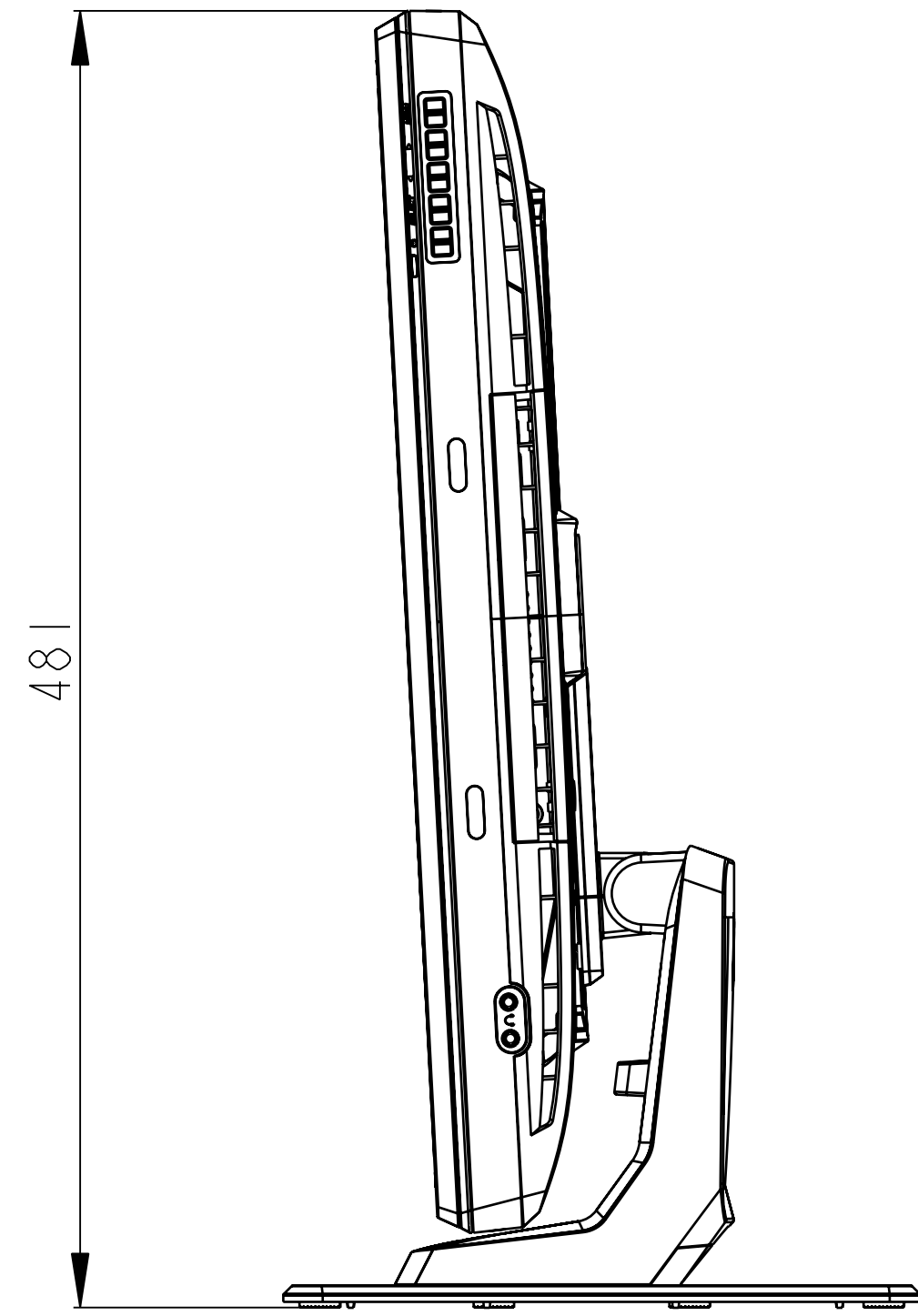


SCALE 0.400

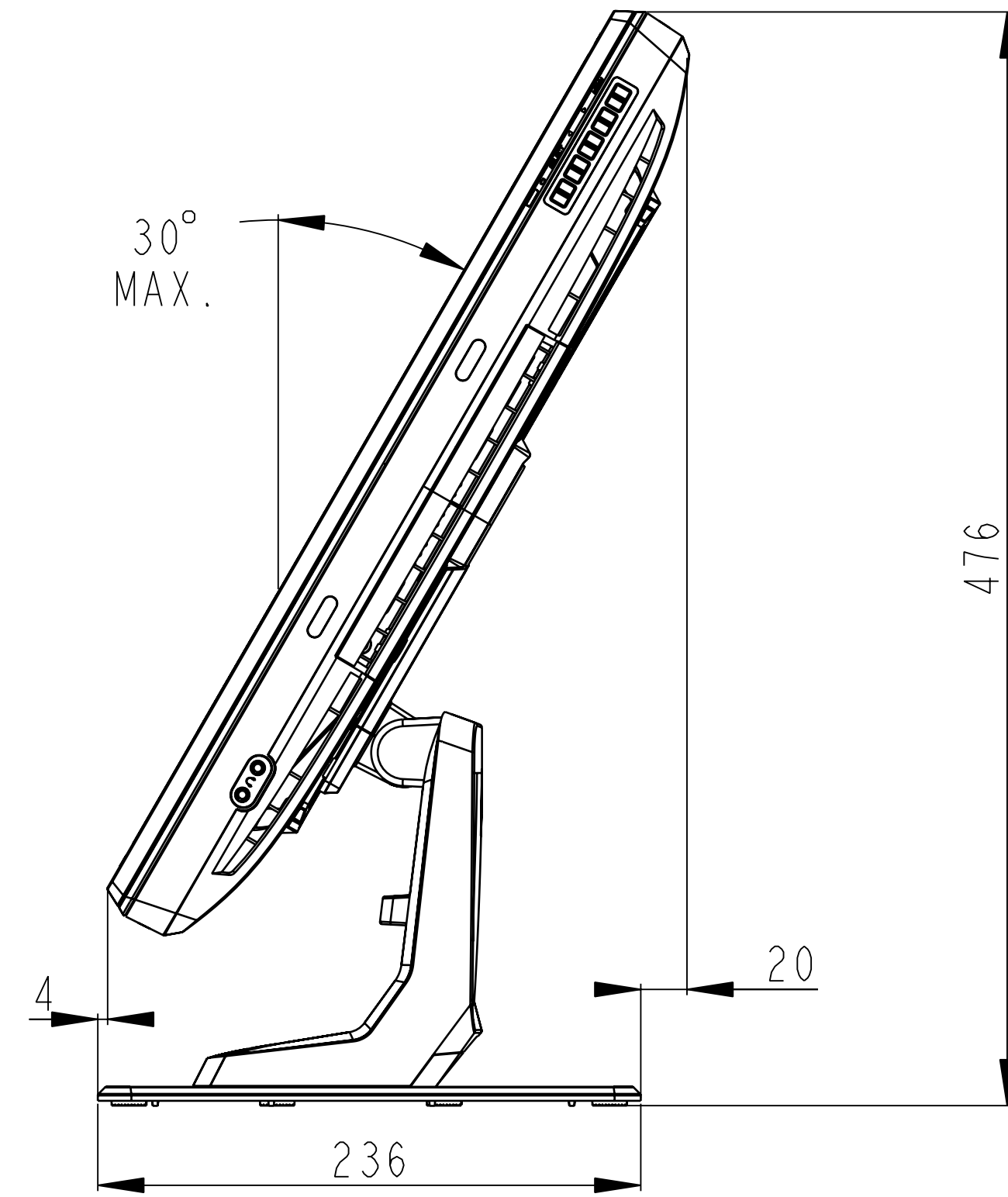


IT=66  
AT=62  
APR=61

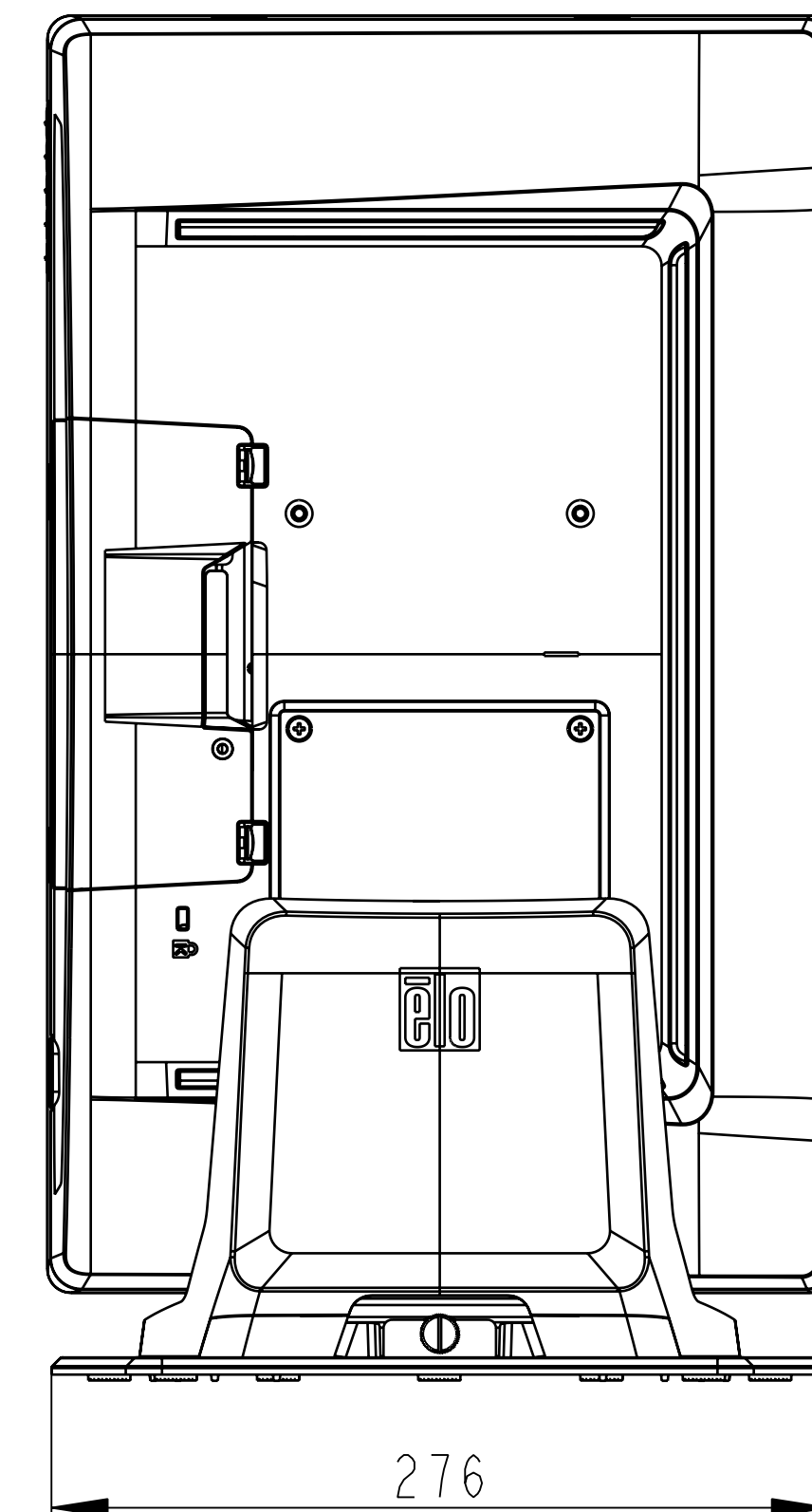
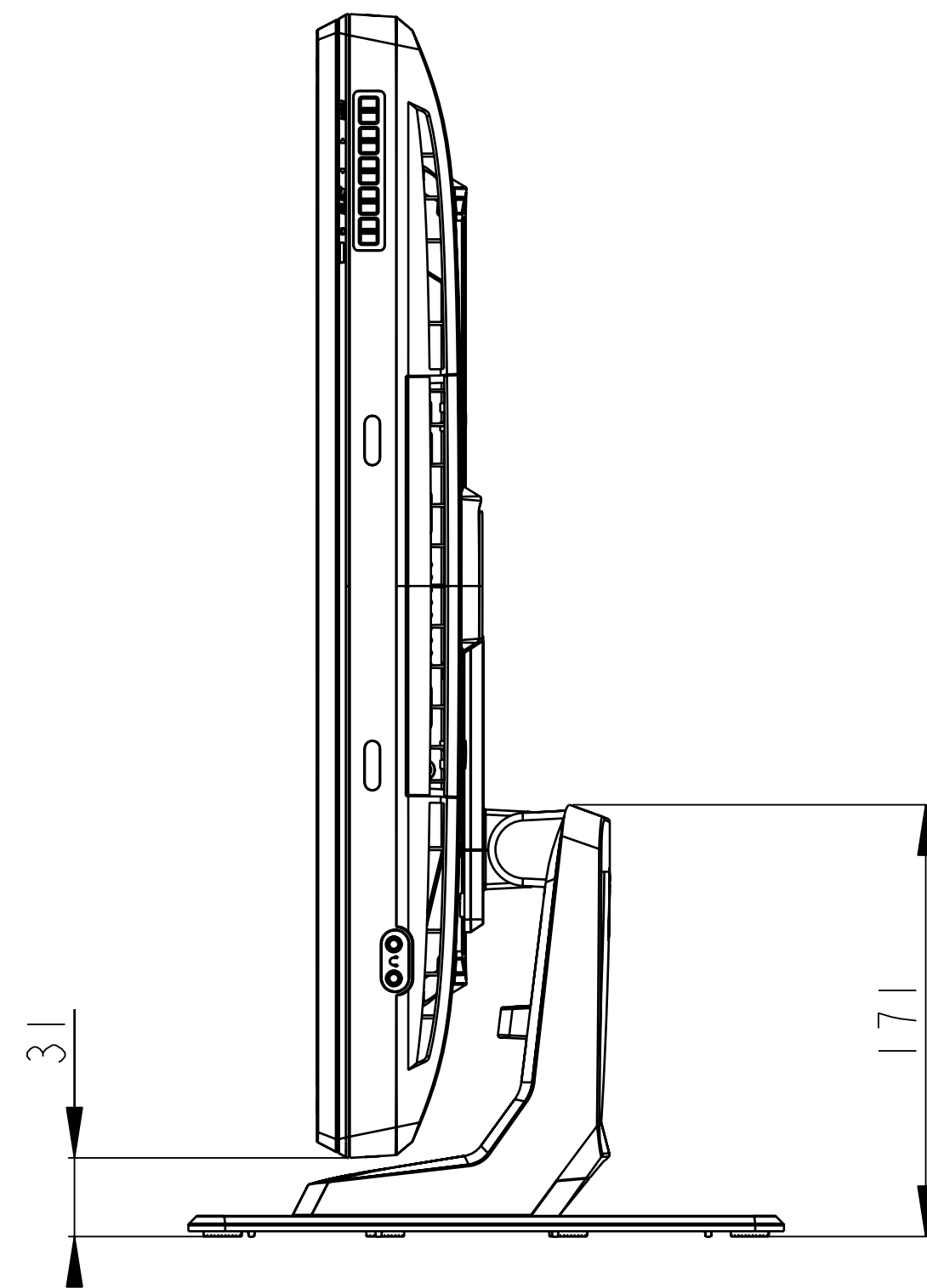
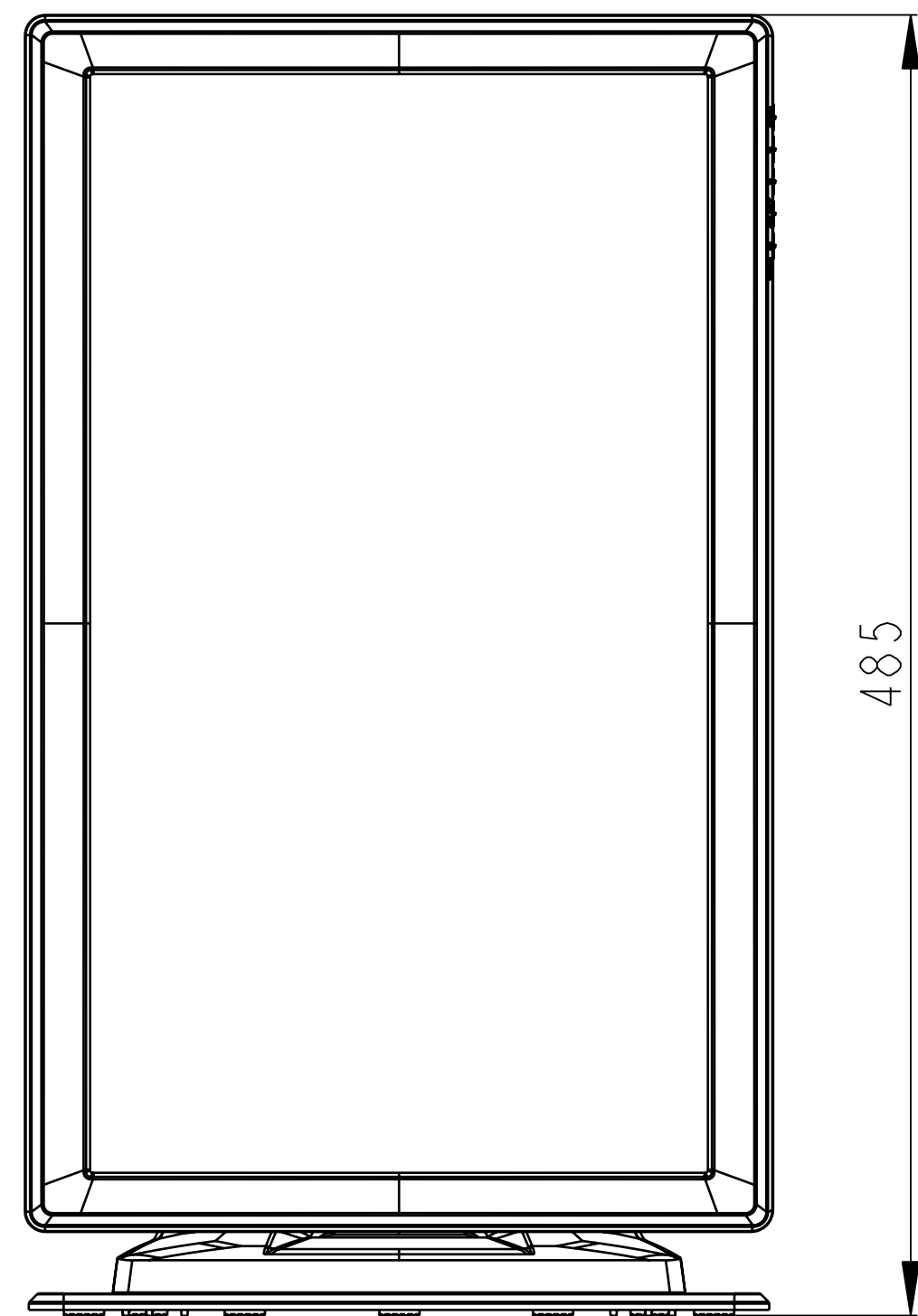




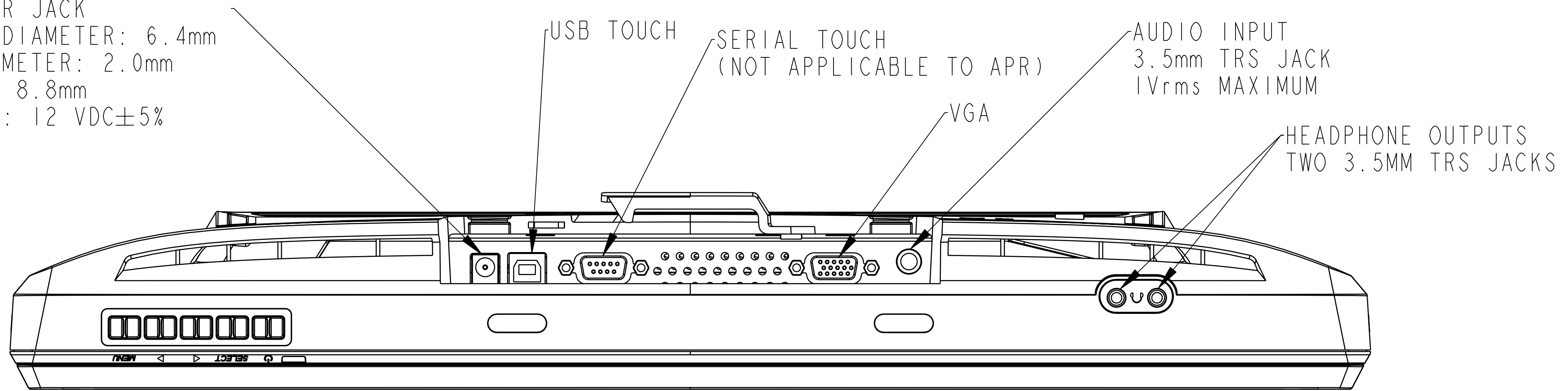
TILT: -3° FROM VERT



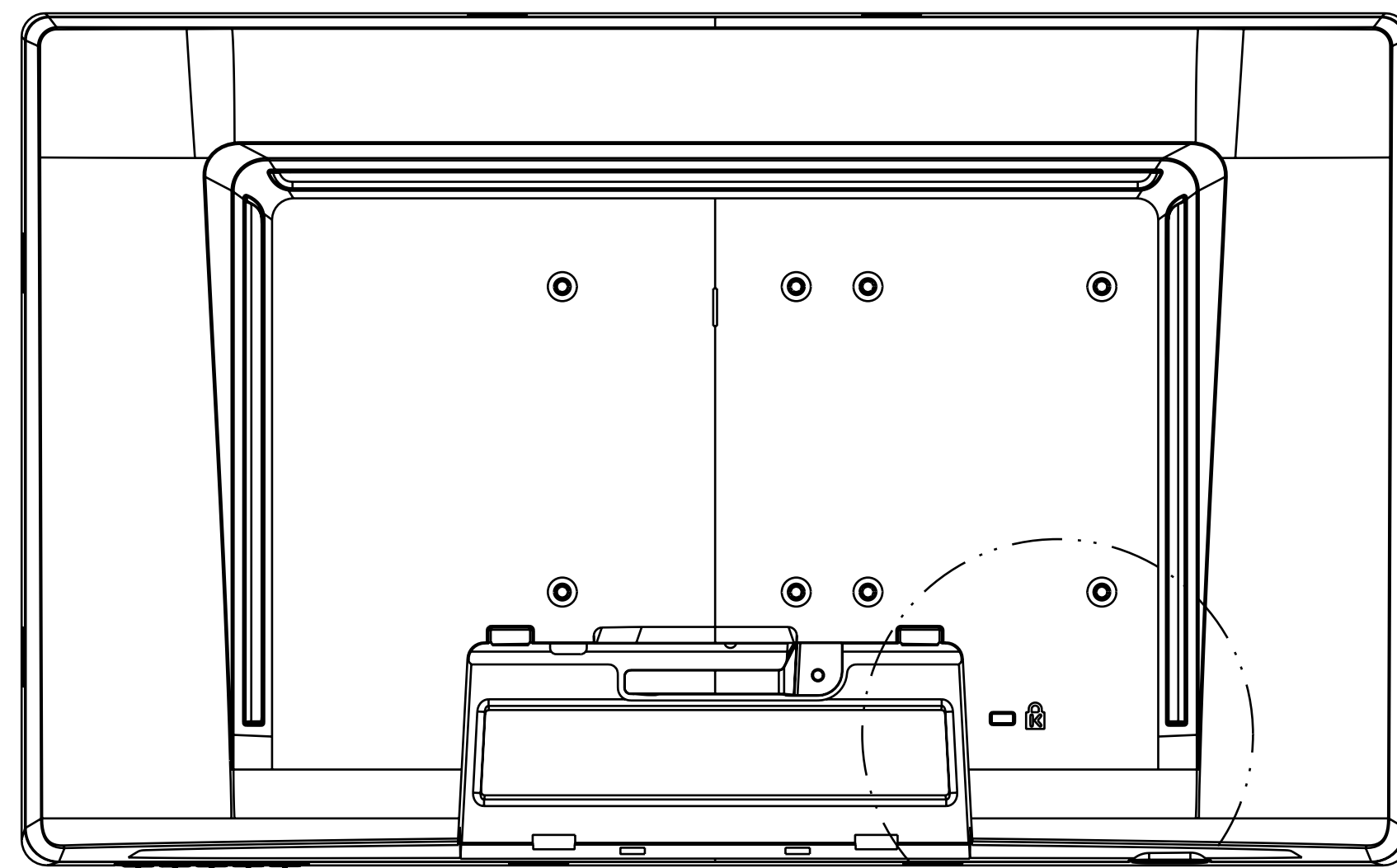
TILT: 30° MAX FROM VERT



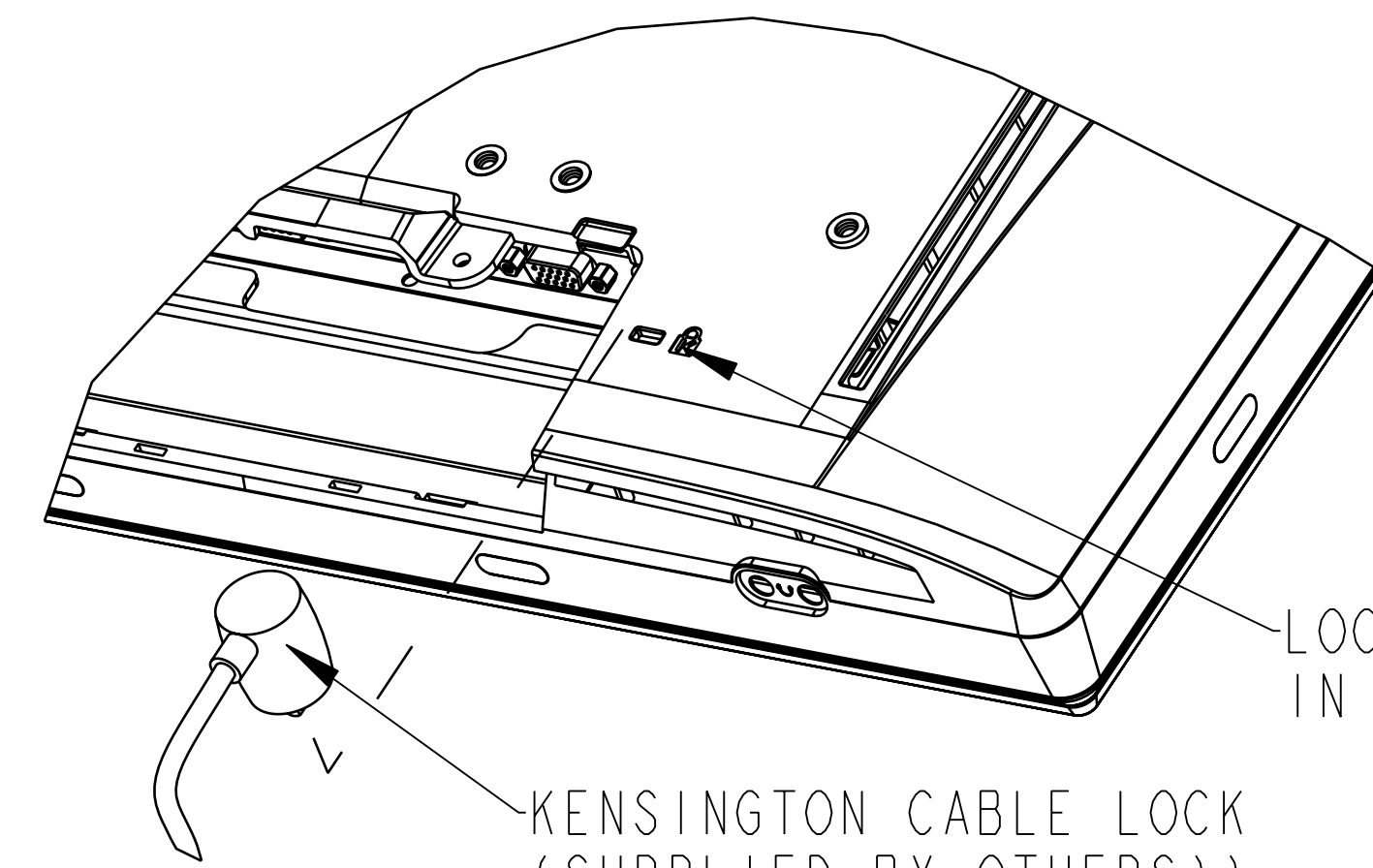
DC INPUT POWER JACK  
 BARREL INNER DIAMETER: 6.4mm  
 PIN OUTER DIAMETER: 2.0mm  
 BARREL DEPTH: 8.8mm  
 INPUT VOLTAGE: 12 VDC±5%

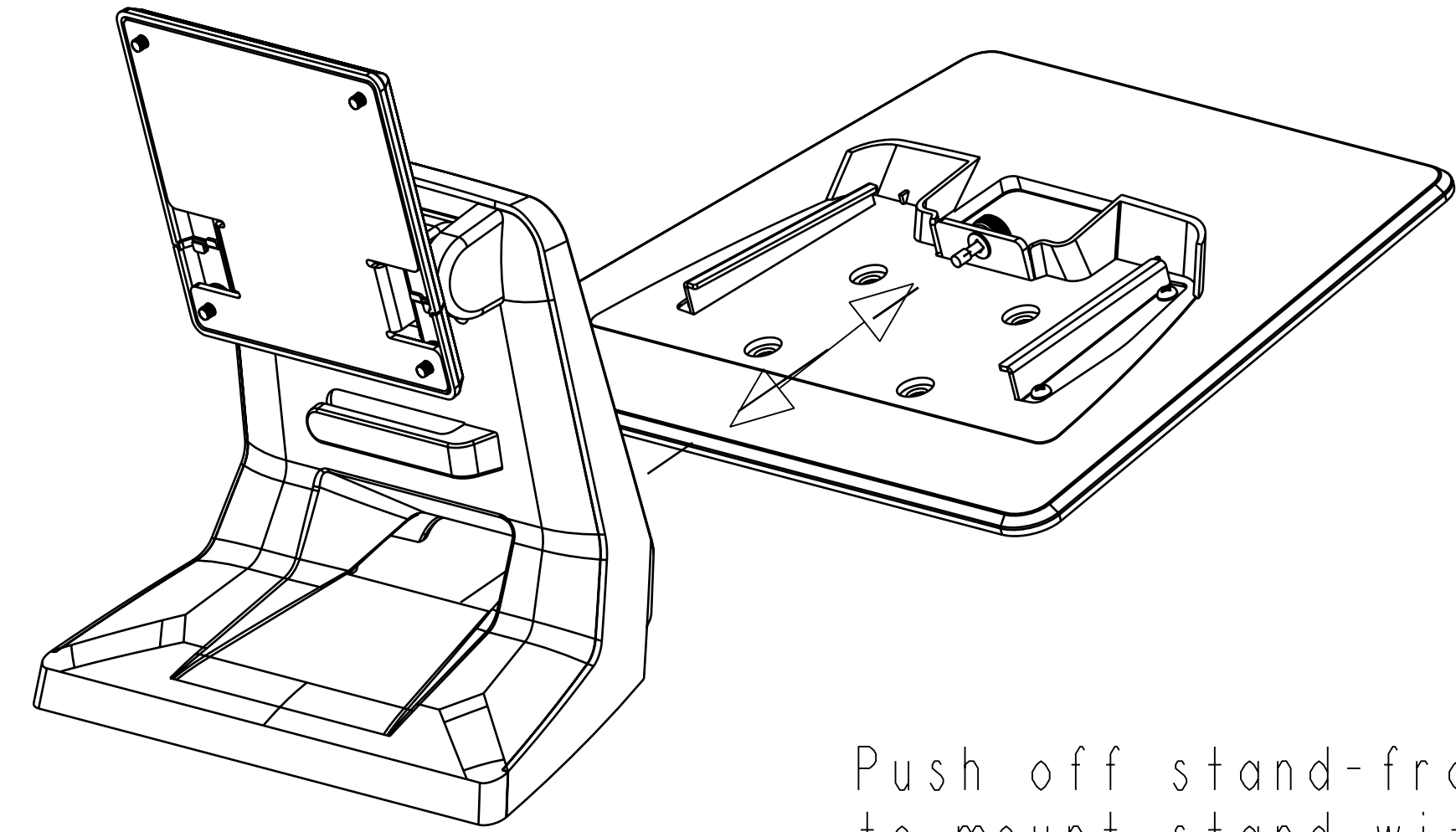
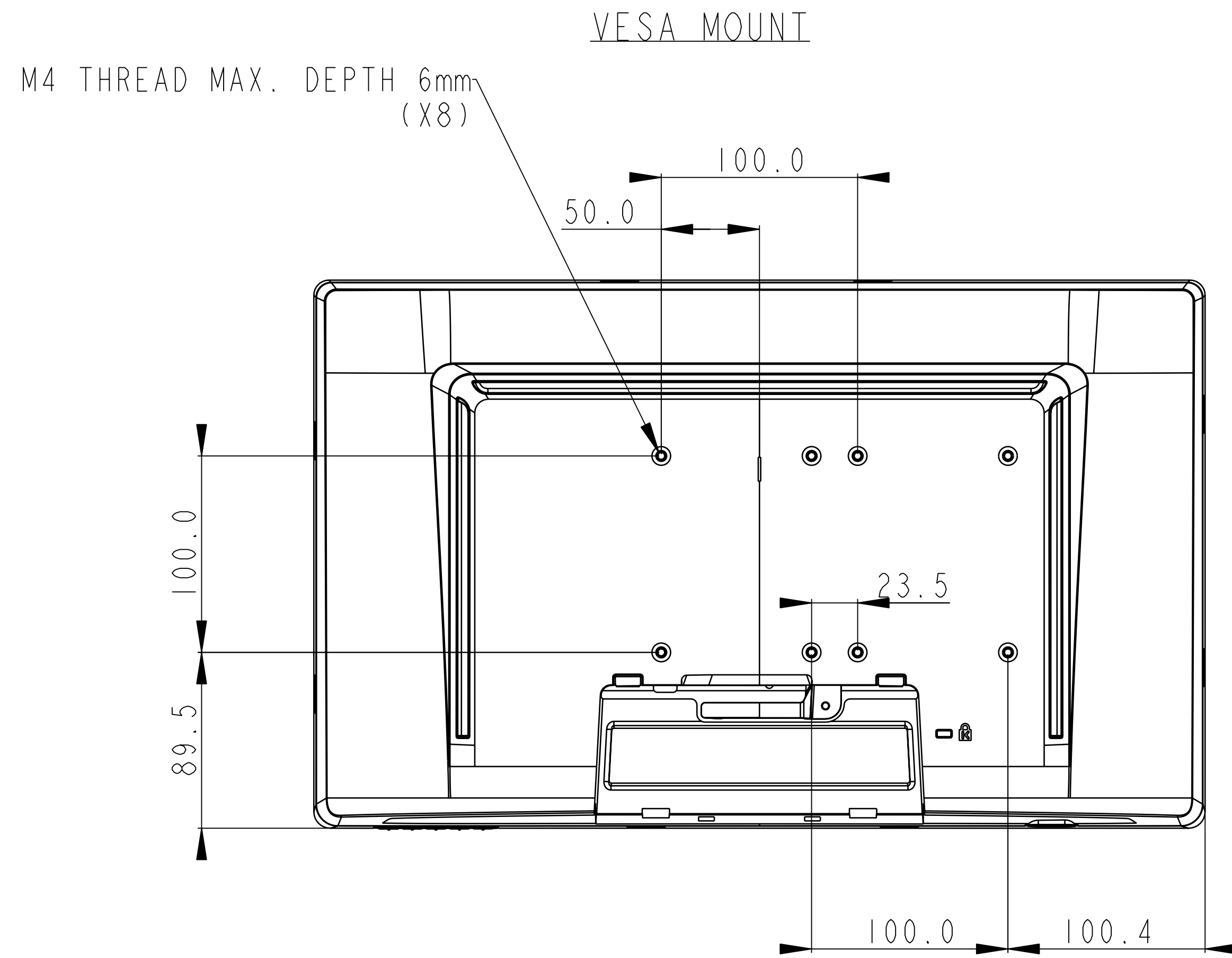


KENSINGTON LOCK DETAIL



KENSINGTON LOCK  
 RECEPTACLE





Option 1

