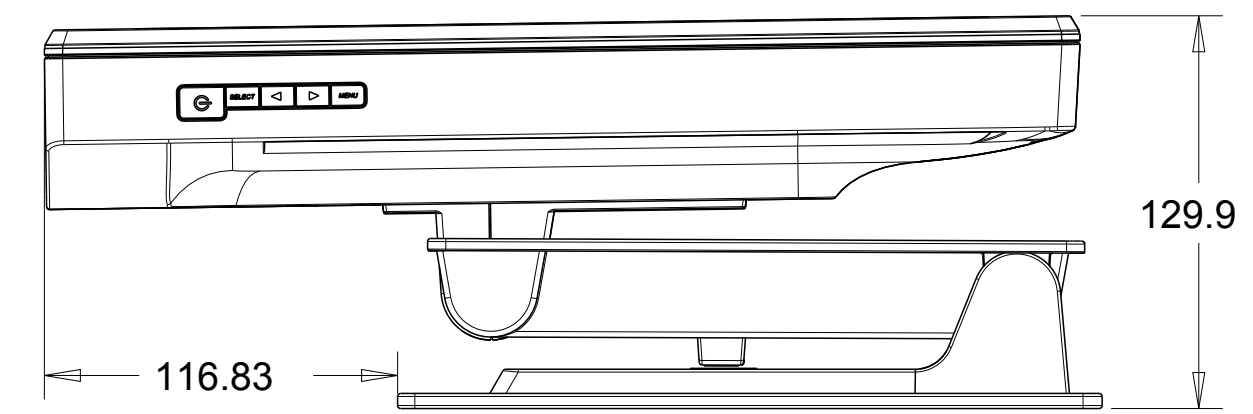
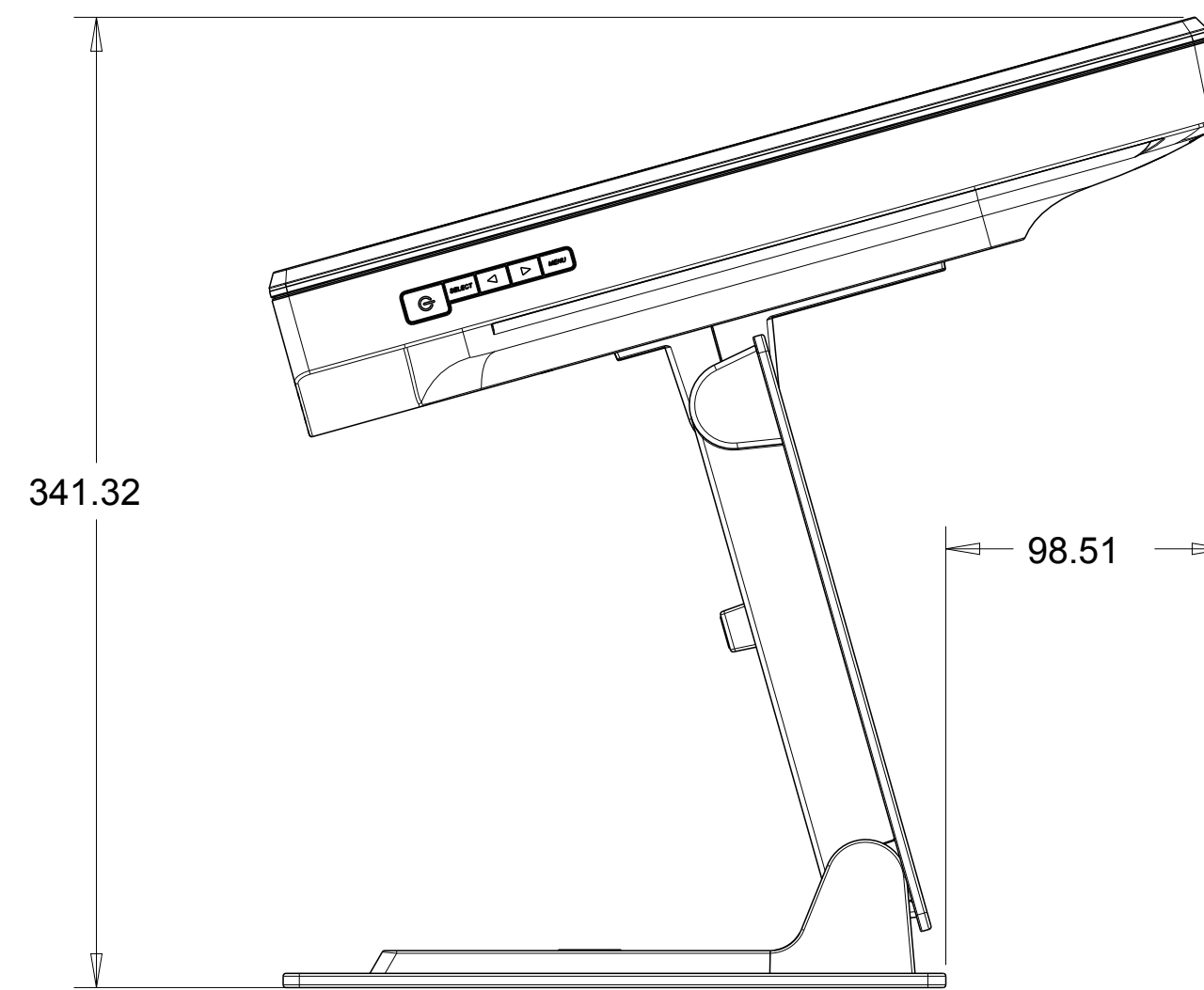
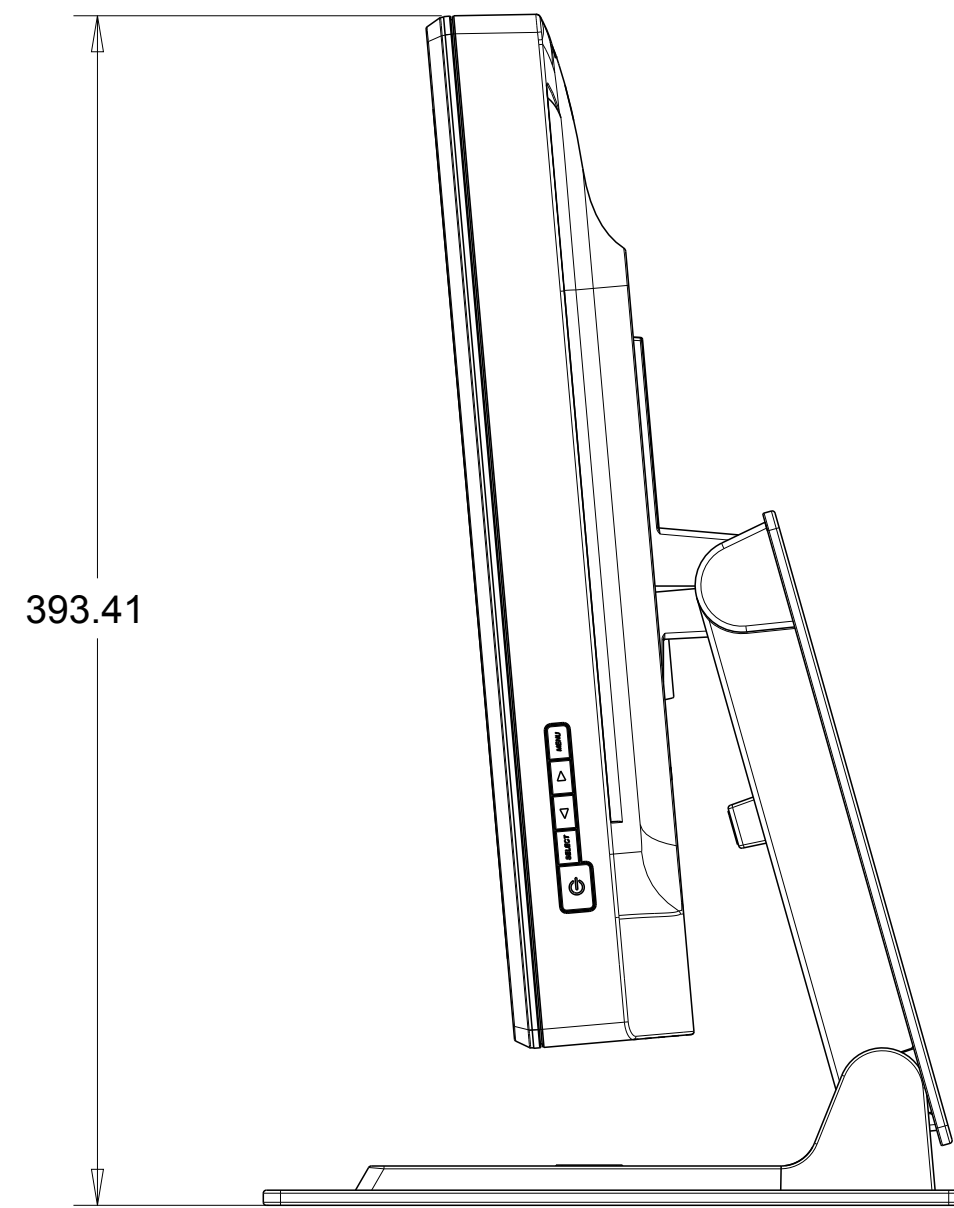
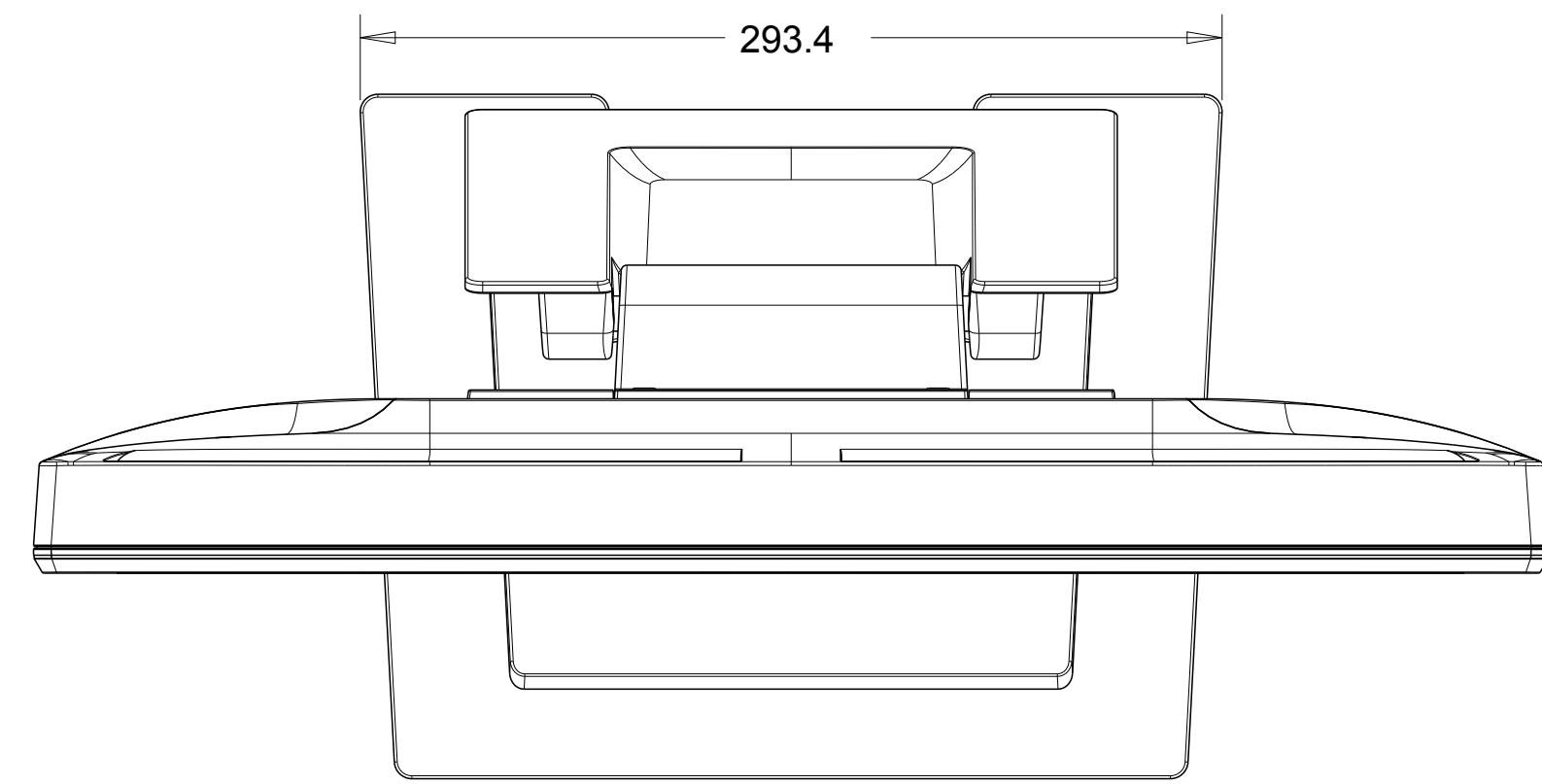


PROPRIETARY TO ELO TOUCH SOLUTIONS, INC. AND SHALL NOT BE DISCLOSED OTHER THAN TO NECESSARY EMPLOYEES OR SUPPLIERS WITHOUT THE EXPRESS WRITTEN CONSENT OF ELO TOUCH SOLUTIONS INC.

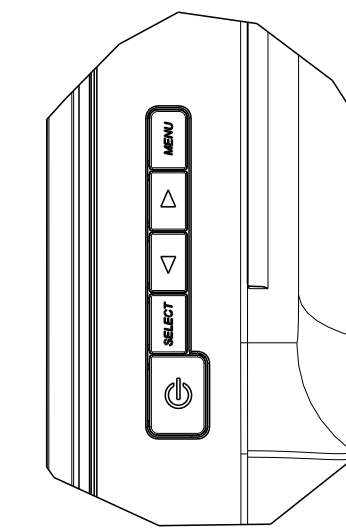
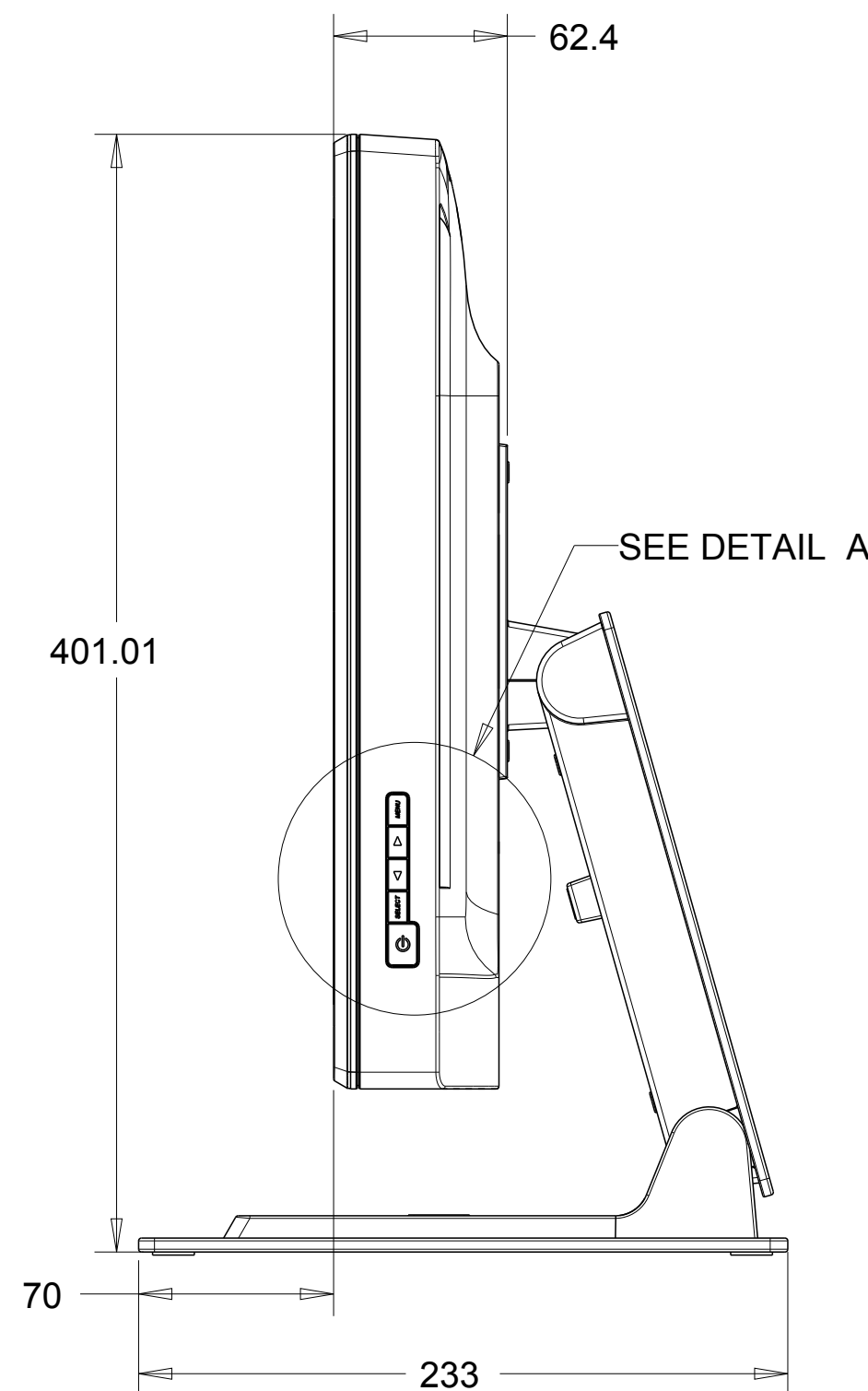
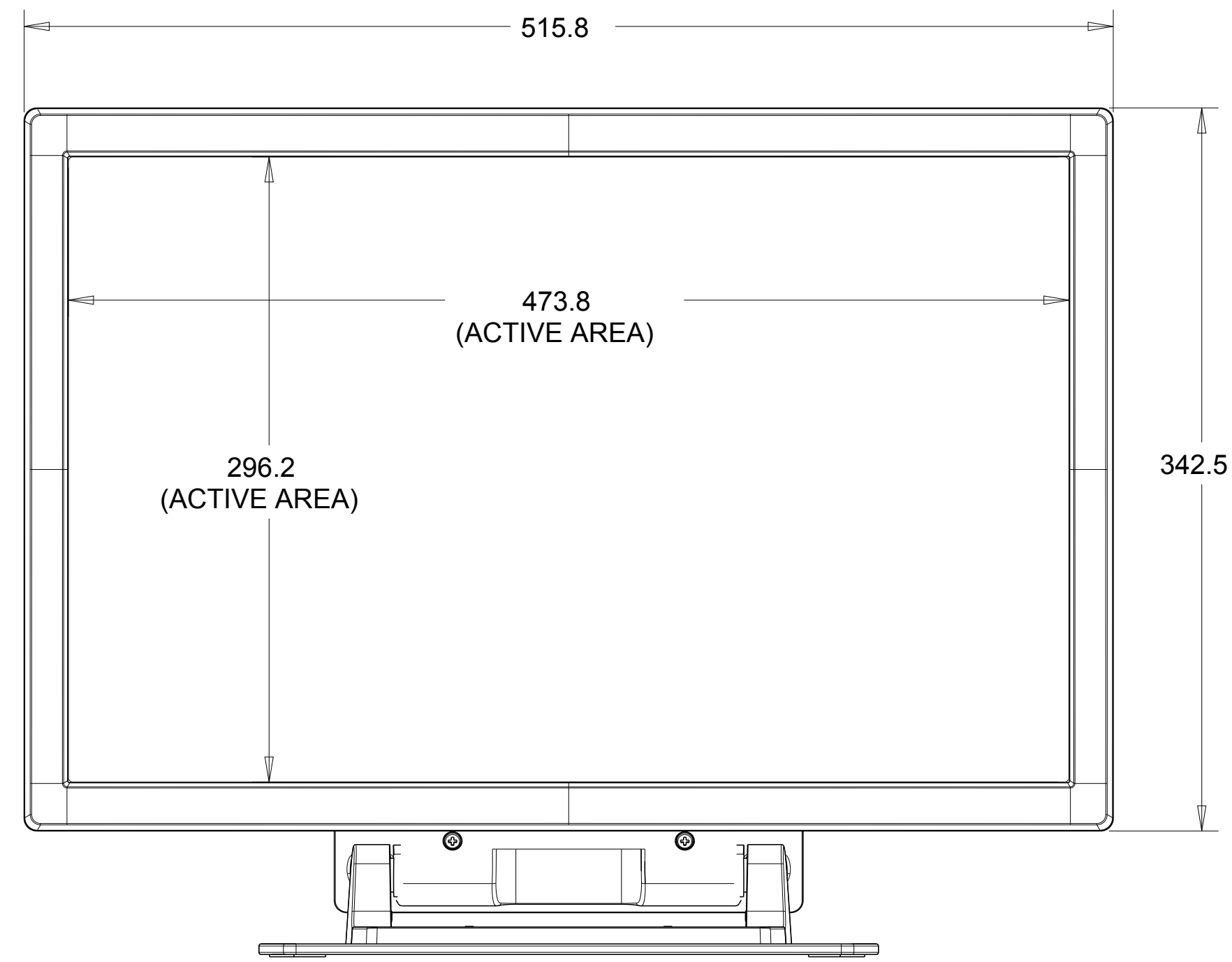
REVISIONS					
REV	ZONE	BY	DESCRIPTION	DATE	APPROVED
C	--	-	-	06/09/09	
D		BA	ECO-12-014540: REBRANDED TO ELO TOUCH SOLUTIONS	08/31/12	DD



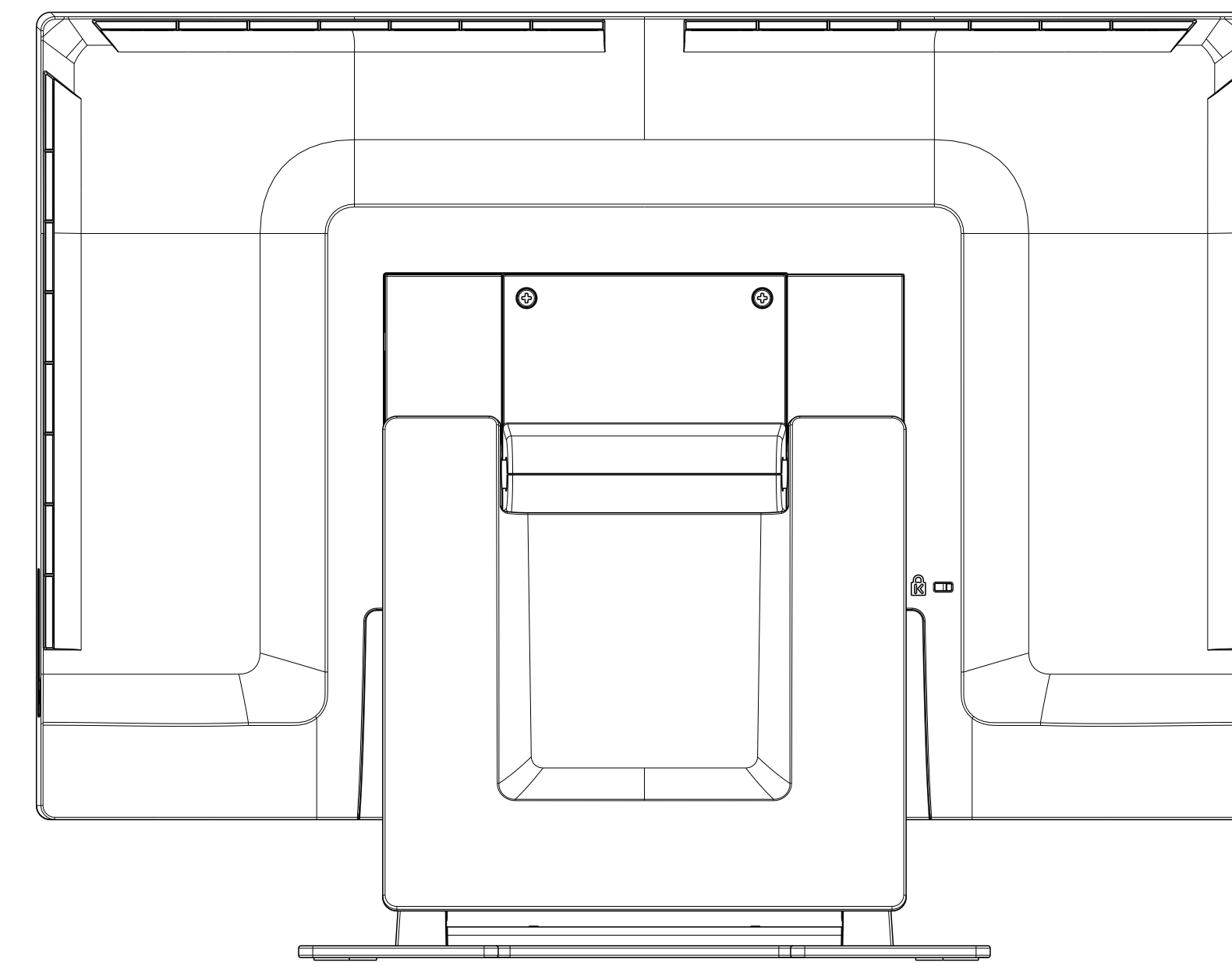
TILT -5° FROM VERTICAL

TILT 75° FROM VERTICAL

MONITOR FULLY COLLAPSED



Detail A
OSD CONTROL



ITEM NO.	QTY REQ'D	DRAWING OR PART NO.	DESCRIPTION	MATERIAL SPECIFICATION
1	1	-	ET1900	

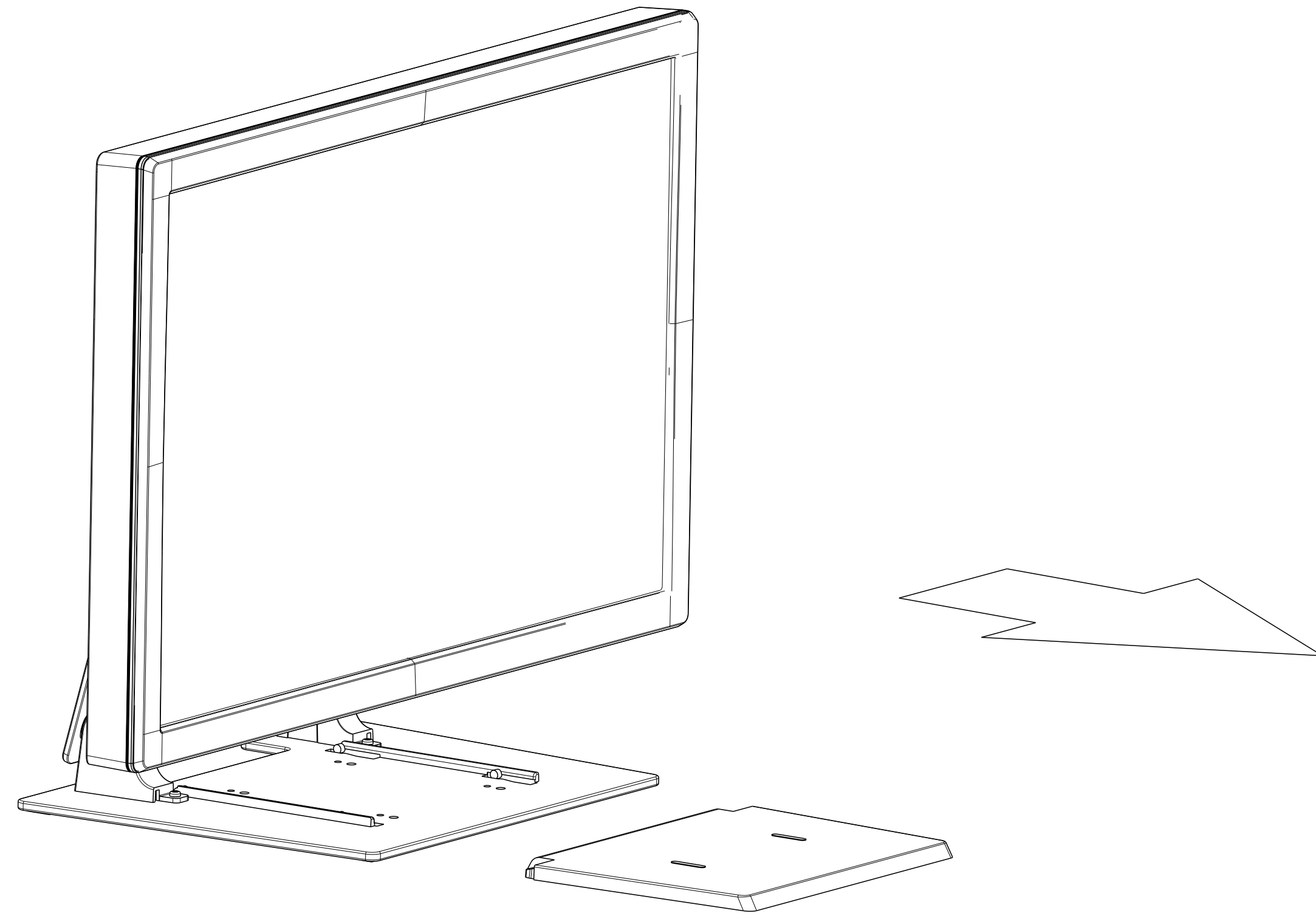
PARTS LIST				
PART NO.	UNLESS OTHERWISE SPECIFIED ALL DIMENSIONS ARE IN MILLIMETERS	DRAWN	DATE	TITLE
METRIC	TOLERANCES ARE: DECIMALS ANGLES X ±: 0.50 ±1/2° X ±: 0.25 FRACTIONS XX ±: 0.13 ±1/32	KEN NORTH CHECK	00.00.00 DATE	DIMENSIONAL DRAWING ET2200
DO NOT SCALE DRAWING		KEN NORTH	00.00.00 DATE	
THIRD ANGLE PROJECTION				
Pro/E prt/asm: 22W-FOLD.PRT				
Pro/E drw: MS600652_REV.DRW				

SIZE	SCALE	SHEET	DWG. NO.	REV
D	0.167	1 OF 4	MS600652	D

DWG. NO. MS600652

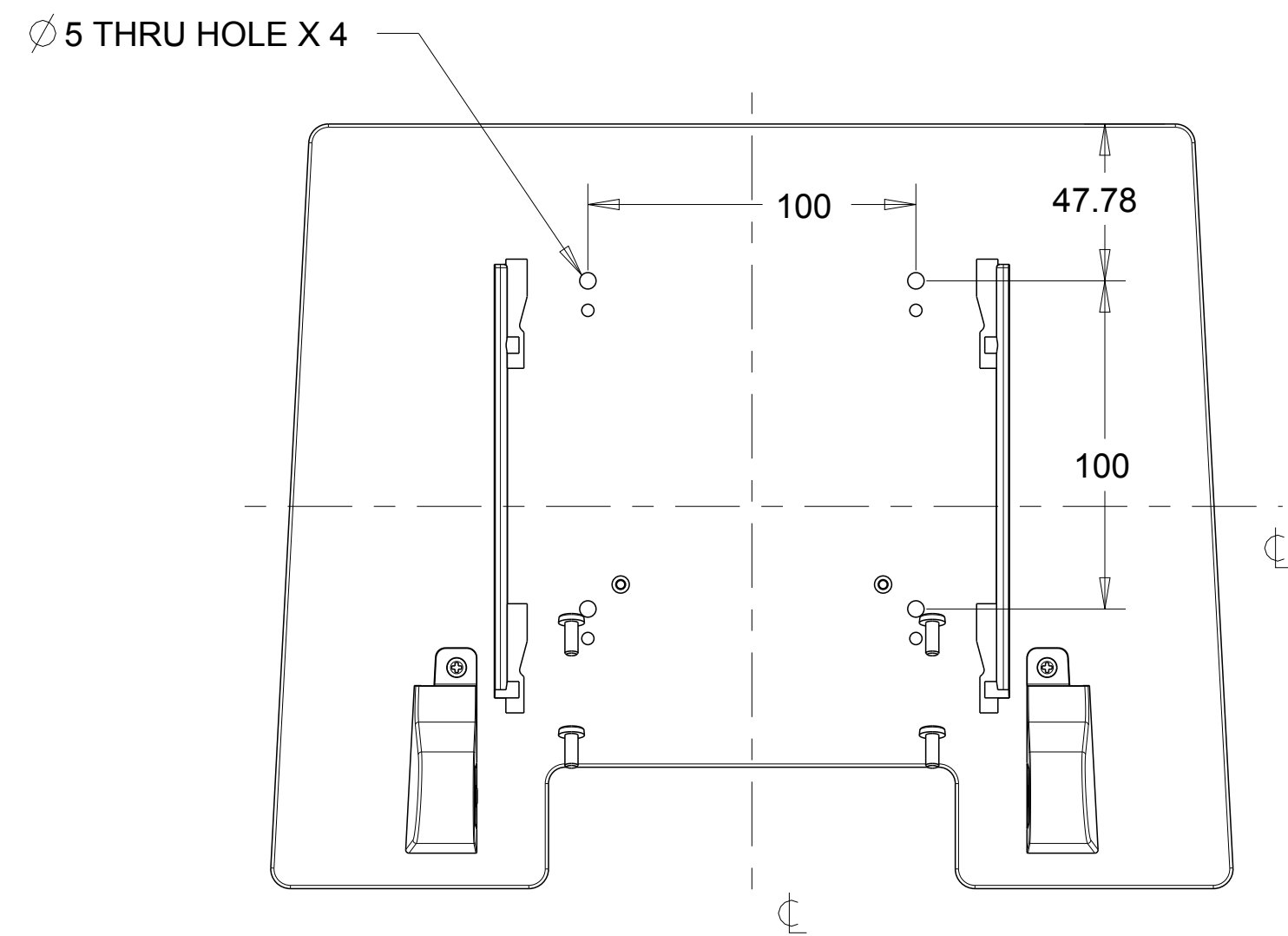
PROPRIETARY TO ELO TOUCH SOLUTIONS, INC. AND SHALL NOT BE DISCLOSED OTHER THAN TO NECESSARY EMPLOYEES OR SUPPLIERS WITHOUT THE EXPRESS WRITTEN CONSENT OF ELO TOUCH SOLUTIONS INC.

REVISIONS					
REV	ZONE	BY	DESCRIPTION	DATE	APPROVED
D	--	-	SEE SHEET 1	08/31/12	DD



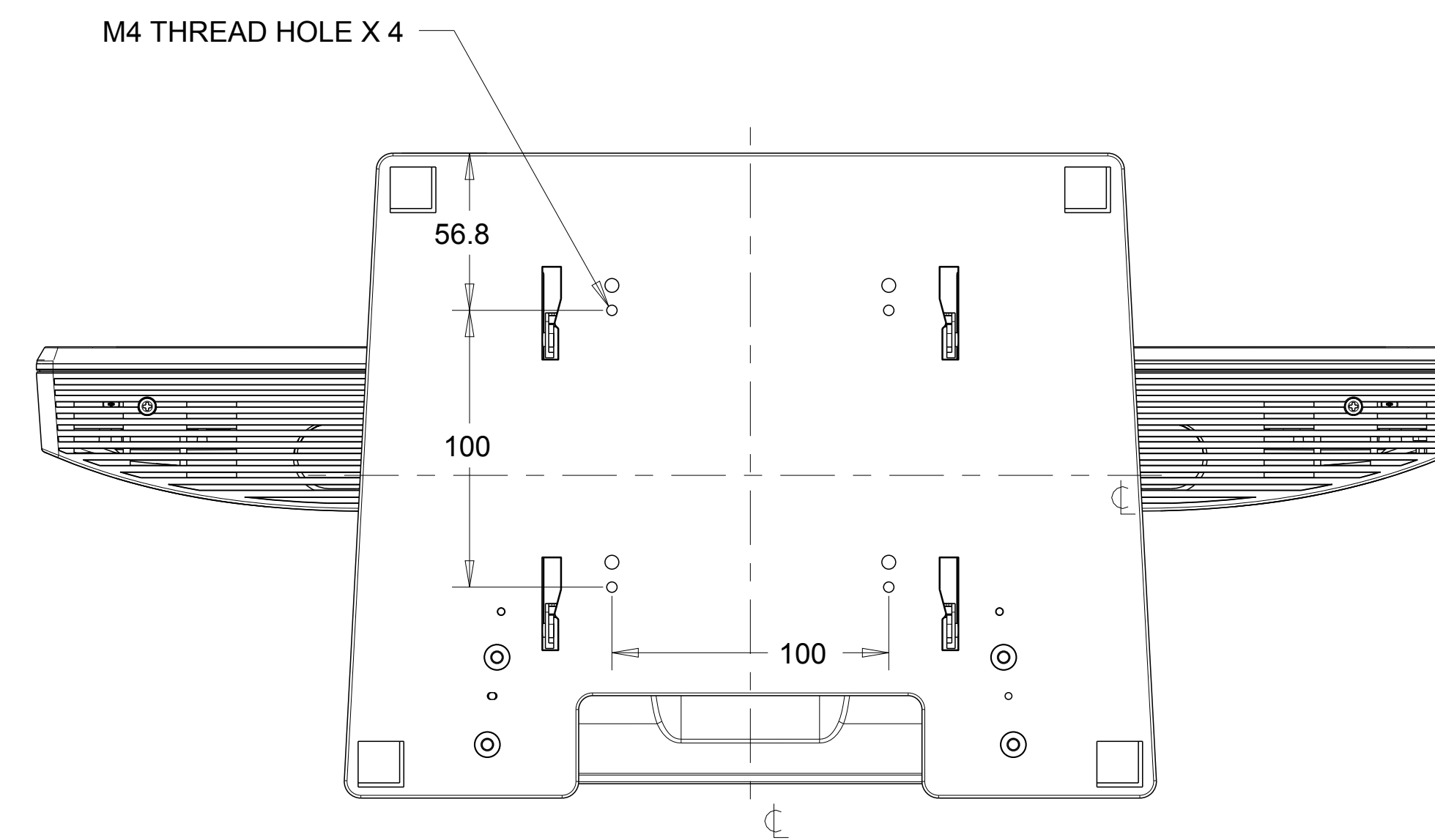
SNAP OFF STAND COVER TO MOUNT STAND WITH OPTION 1 FROM THE TOP.

MOUNT OPTION 1



TOP VIEW

MOUNT OPTION 2



BOTTOM VIEW

ITEM NO.	QTY REQ'D	DRAWING OR PART NO.	DESCRIPTION	MATERIAL SPECIFICATION
1	1	-	ET1900	

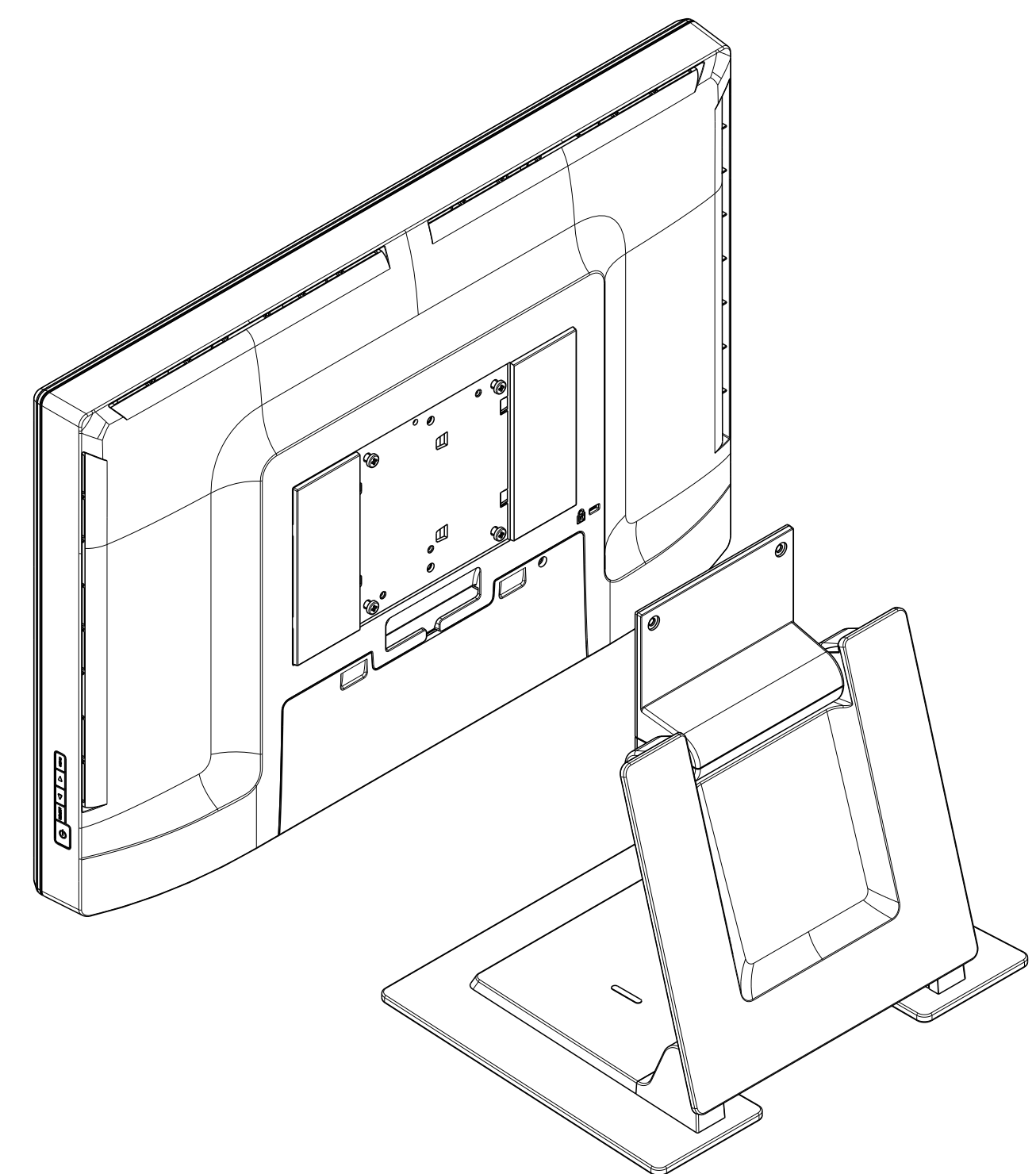
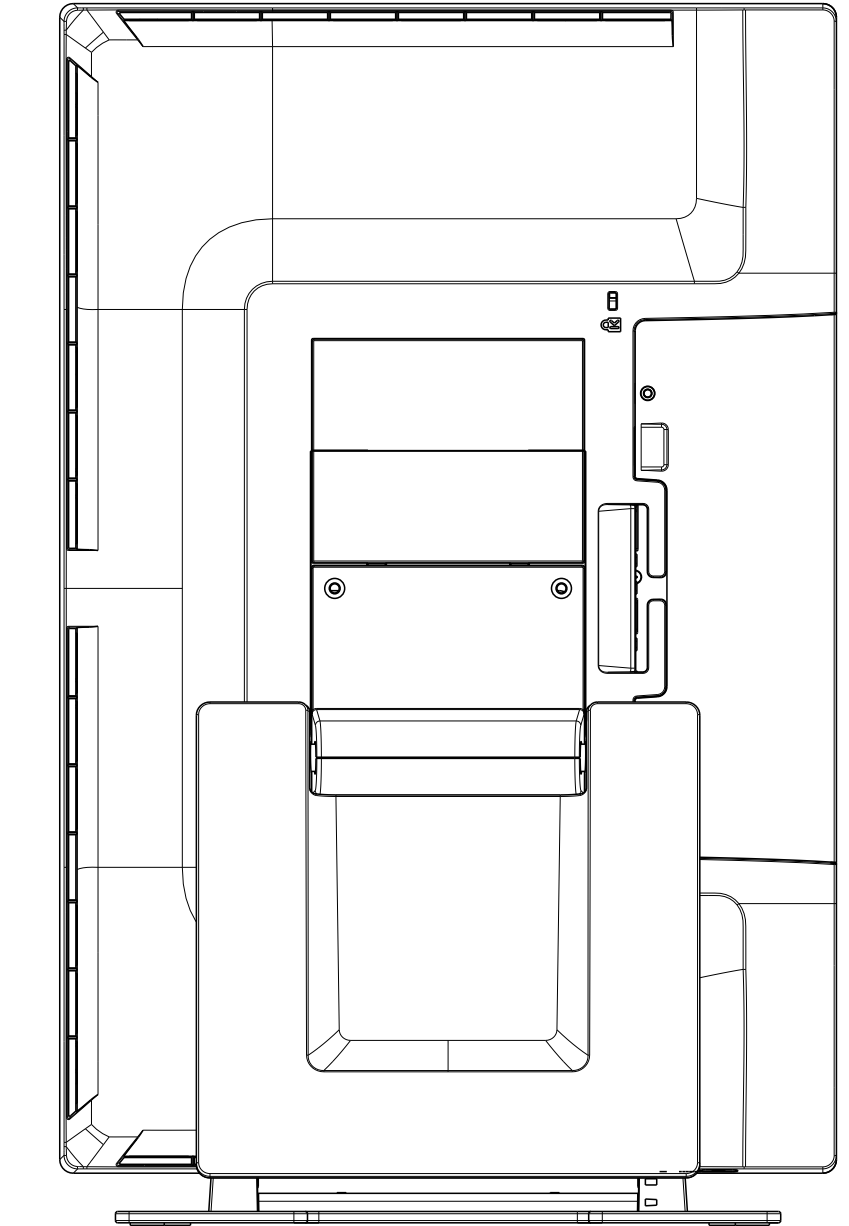
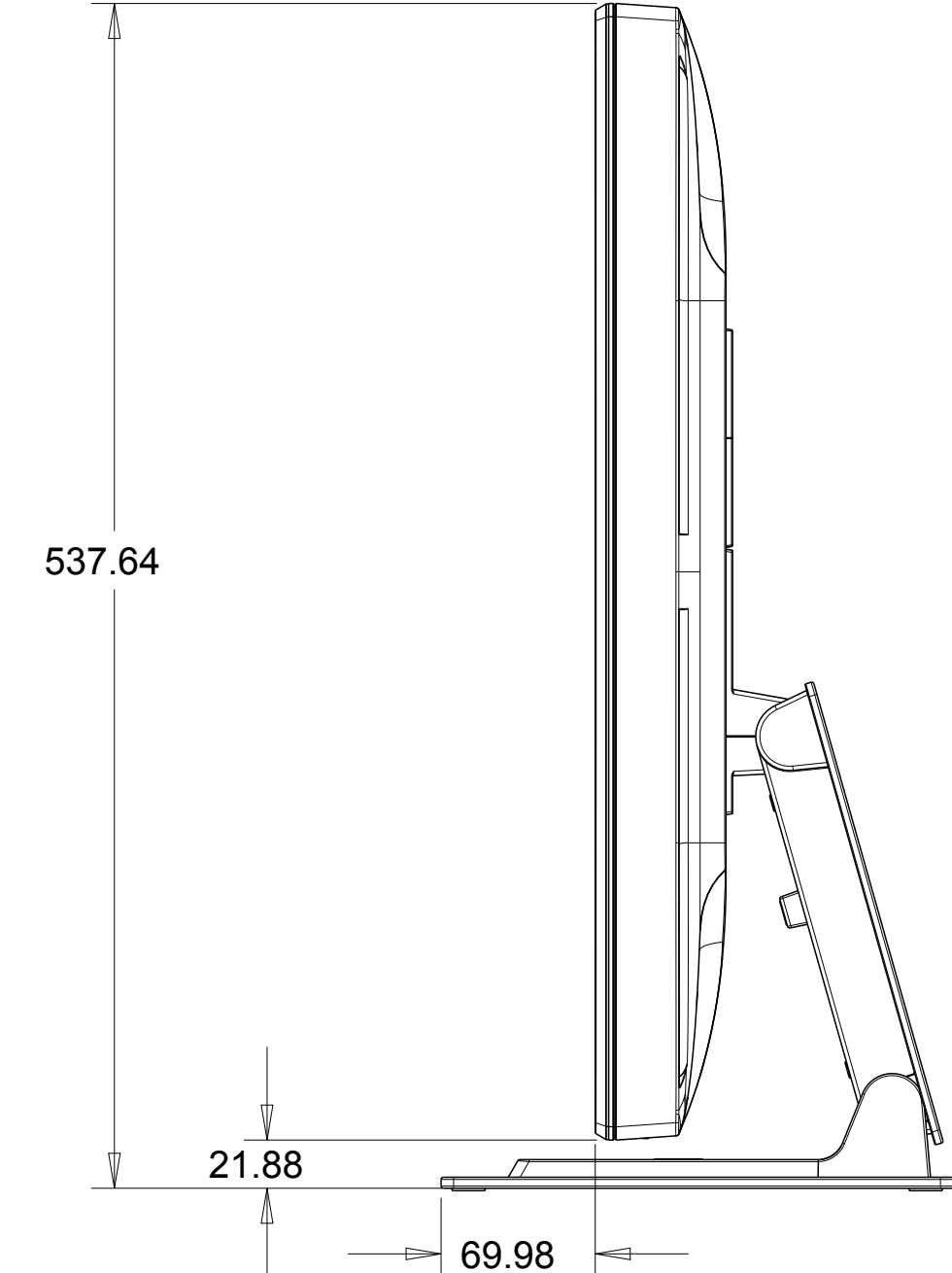
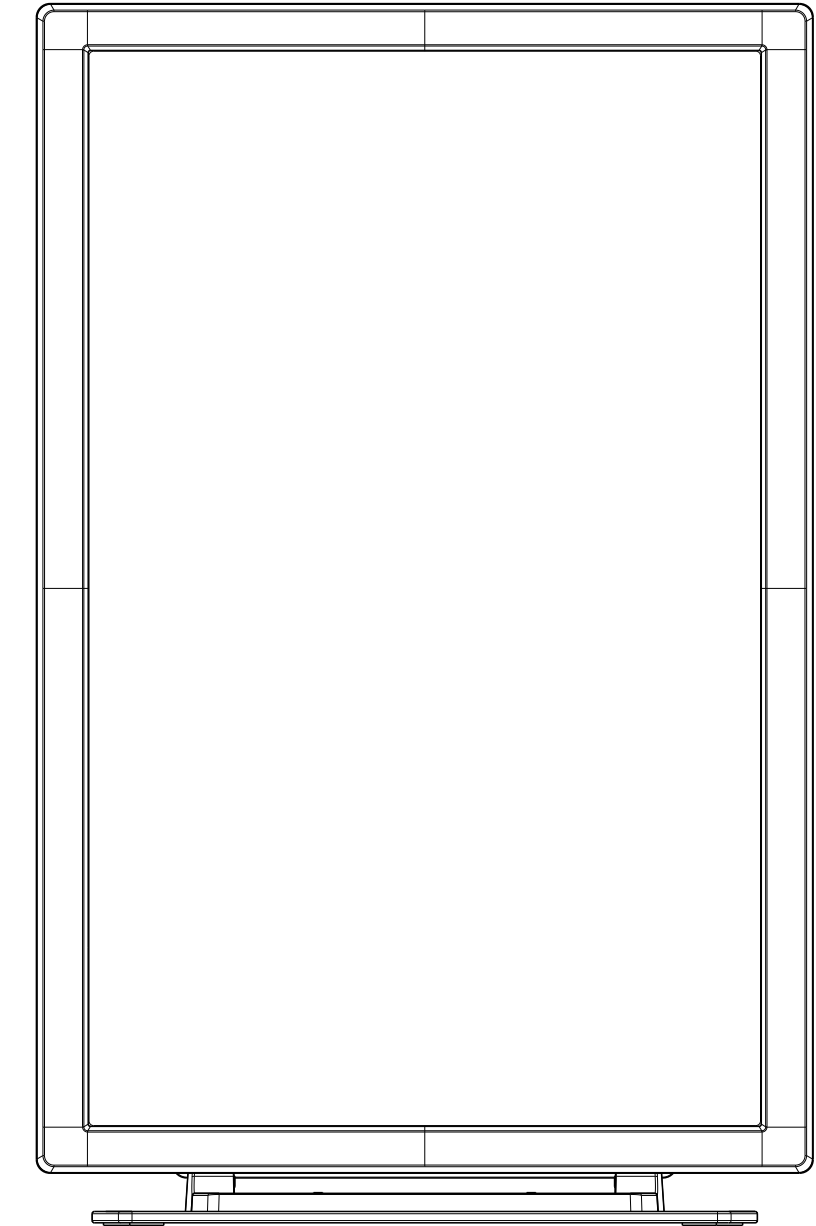
PARTS LIST				
PART NO.	UNLESS OTHERWISE SPECIFIED ALL DIMENSIONS ARE IN MILLIMETERS	DRAWN	DATE	TITLE
METRIC	TOLERANCES ARE: DECIMALS ±1/2" X ±: 0.50 X ±: 0.25 XX ±: 0.13	KEN NORTH CHECK	00.00.00 DATE	DIMENSIONAL DRAWING ET2200
DO NOT SCALE DRAWING	ANGLES ±1/2" FRACTIONS ±1/32	KEN NORTH	00.00.00 DATE	
Pro/E prt/asm: 22W-FOLD.PRT Pro/E dwg: MS600652_REV.DRW		THIRD ANGLE PROJECTION		

SIZE	SCALE	SHEET	DWG. NO.	REV
D	0.167	2 OF 4	MS600652	D

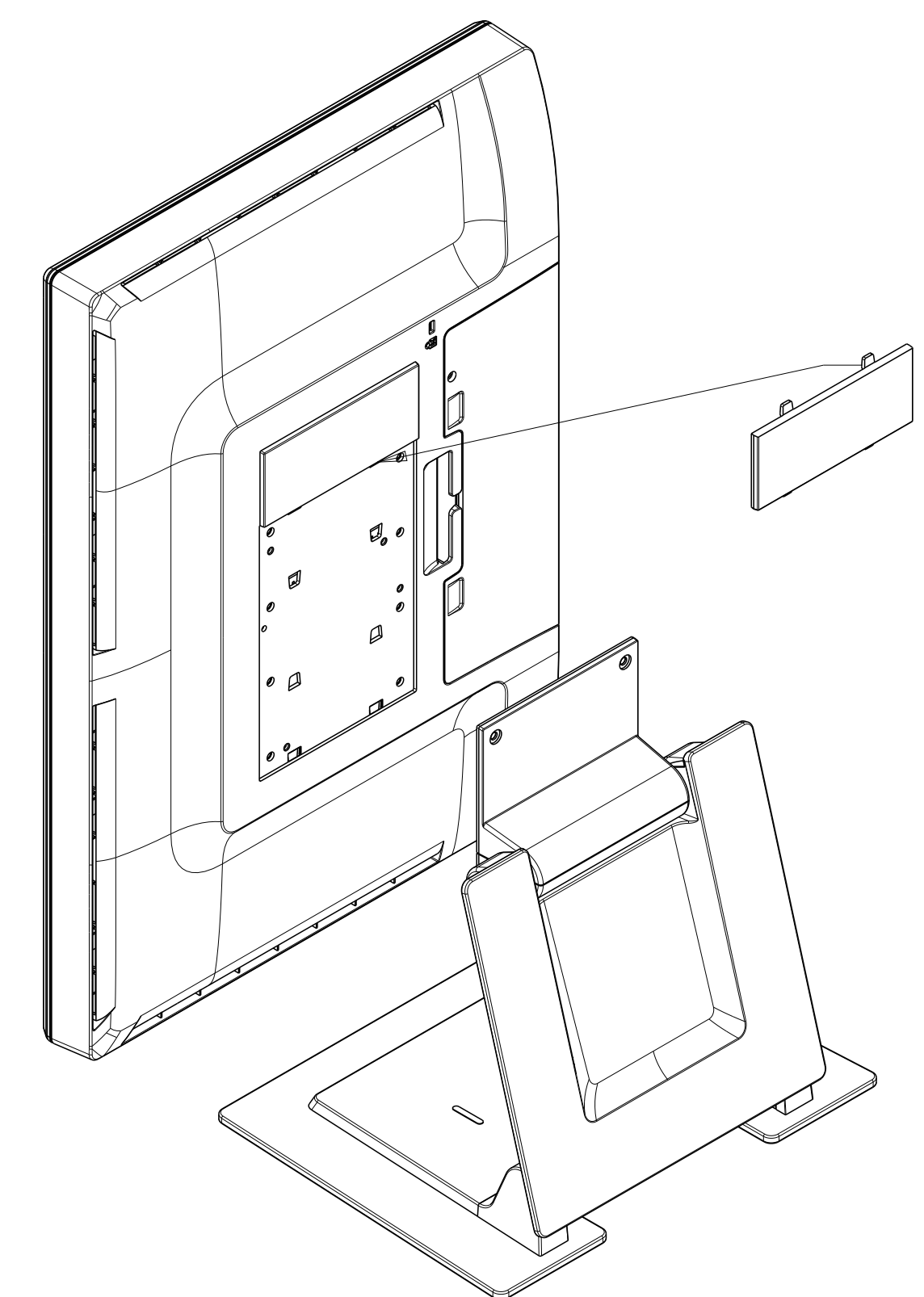
DWG. NO. MS600652

PROPRIETARY TO ELO TOUCH SOLUTIONS, INC. AND SHALL NOT BE DISCLOSED OTHER THAN TO NECESSARY EMPLOYEES OR SUPPLIERS WITHOUT THE EXPRESS WRITTEN CONSENT OF ELO TOUCH SOLUTIONS INC.

REVISIONS					
REV	ZONE	BY	DESCRIPTION	DATE	APPROVED
D	--	BA	SEE SHEET 1	08/31/12	DD



HORIZONTAL MOUNT



VERTICAL MOUNT

INSERT VESA COVER HERE FOR VERTICAL MOUNT

ITEM NO.	QTY REQ'D	DRAWING OR PART NO.	DESCRIPTION	MATERIAL SPECIFICATION
1	1	-	ET1900	

PARTS LIST				
PART NO.	UNLESS OTHERWISE SPECIFIED ALL DIMENSIONS ARE IN MILLIMETERS	DRAWN	DATE	TITLE
METRIC	TOLERANCES ARE: DECIMALS ANGLES X ±: 0.50 ±1/ 2° X ±: 0.25 FRACTIONS XX ±: 0.13 ±1/ 32	KEN NORTH CHECK	00.00.00 DATE	DIMENSIONAL DRAWING ET2200
DO NOT SCALE DRAWING		KEN NORTH 00.00.00	DATE	
THIRD ANGLE PROJECTION				
Pro/E prt/asm: 22W-FOLD.PRT				
Pro/E drw: MS600652_REV0.DRW				

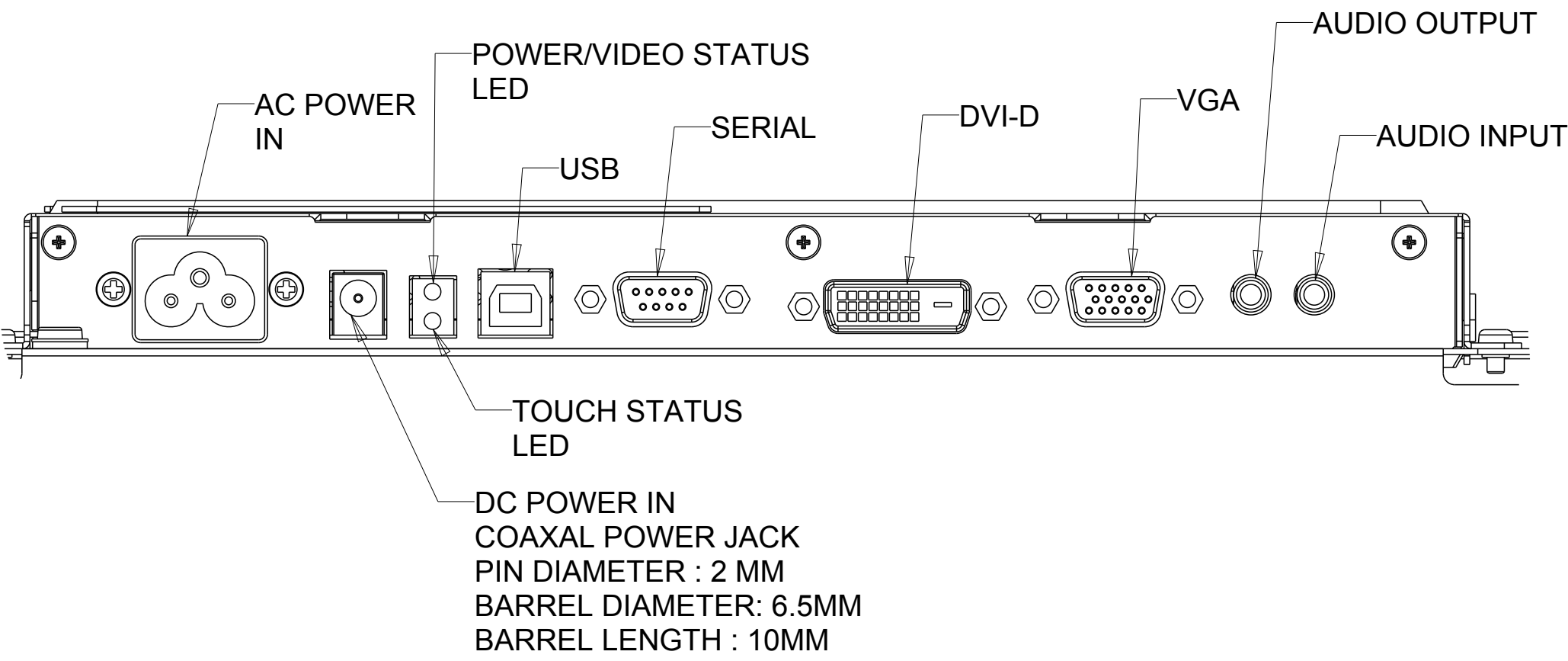
SIZE	SCALE	SHEET	DWG. NO.	REV
D	0.167	3 OF 4	MS600652	D

DWG. NO. MS600652

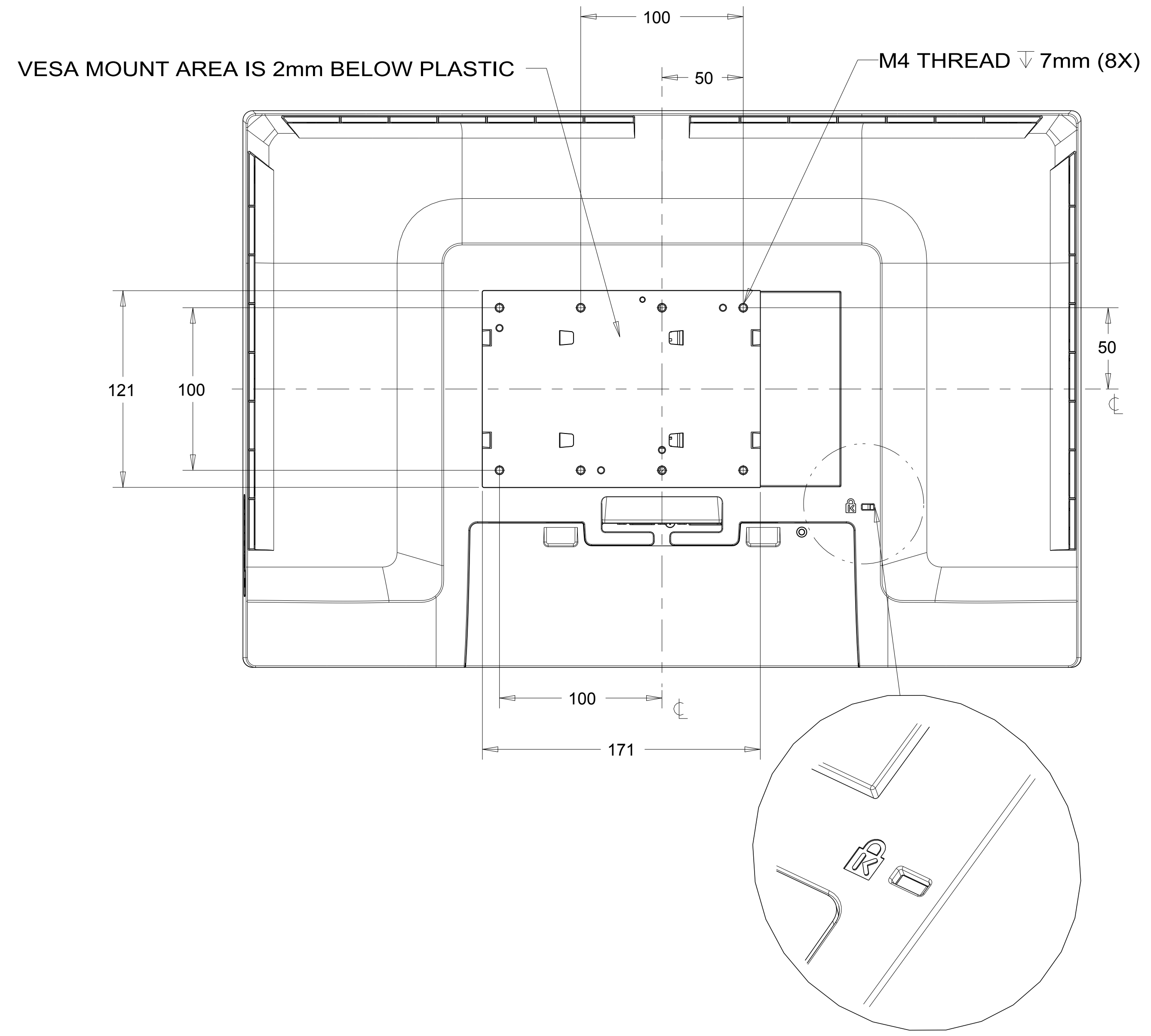
PROPRIETARY TO ELO TOUCH SOLUTIONS, INC. AND SHALL NOT BE DISCLOSED OTHER THAN TO NECESSARY EMPLOYEES OR SUPPLIERS WITHOUT THE EXPRESS WRITTEN CONSENT OF ELO TOUCH SOLUTIONS INC.

REVISIONS					
REV	ZONE	BY	DESCRIPTION	DATE	APPROVED
D	--	BA	SEE SHEET 1	08/31/12	DDD-

CONNECTOR PANEL



VESA MOUNT



ITEM NO.	QTY REQ'D	DRAWING OR PART NO.	DESCRIPTION	MATERIAL SPECIFICATION
1	1	-	ET1900	

PART. NO.	UNLESS OTHERWISE SPECIFIED ALL DIMENSIONS ARE IN MILLIMETERS		DRAWN	DATE	TITLE	
	TOLERANCES ARE:		KEN NORTH	00.00.00		
METRIC	DECIMALS	ANGLES	CHECK	DATE	DIMENSIONAL DRAWING	ET2200
	X ±: 0.50	±1/ 2°	DESIGN	DATE		
DO NOT SCALE DRAWING	X ±: 0.25	FRACTIONS	KEN NORTH	00.00.00	THIRD ANGLE PROJECTION	
Pro/E prt/asm: 22W-FOLD.PRT		XX ±: 0.13				
Pro/E drw: MS600652_REV.DRW						

SIZE	SCALE	SHEET	DWG. NO.	REV
D	0.167	4 OF 4	MS600652	D

REV D
SHT 4 OF 4
DWG. NO. MS600652