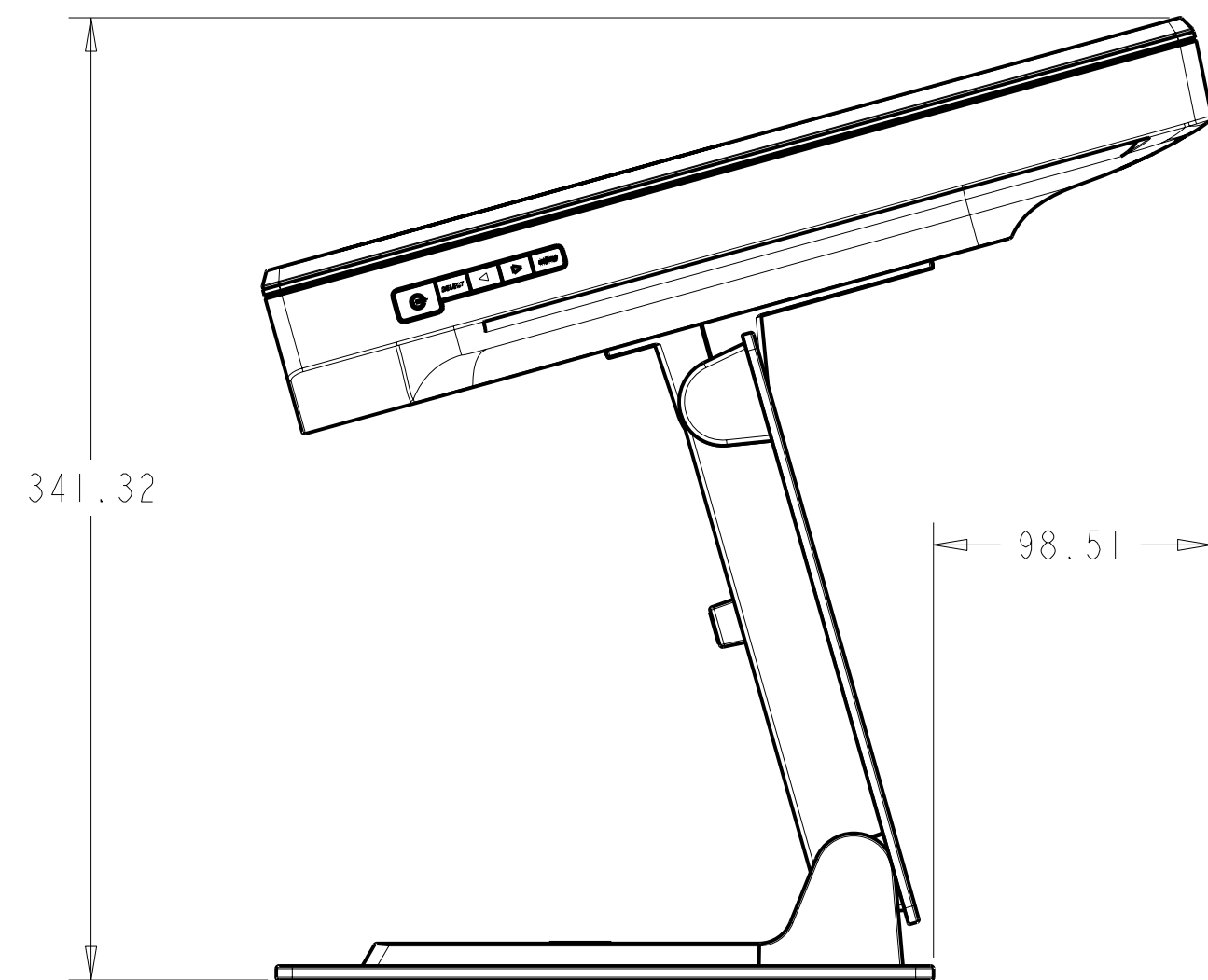
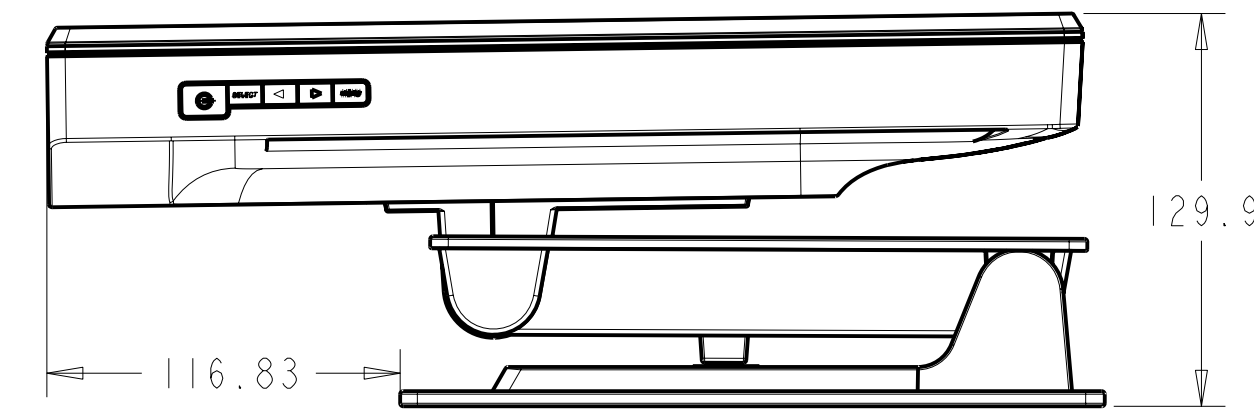


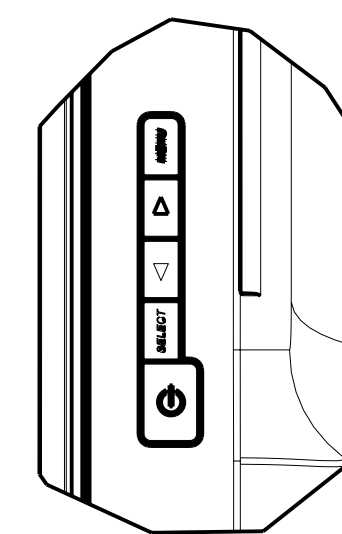
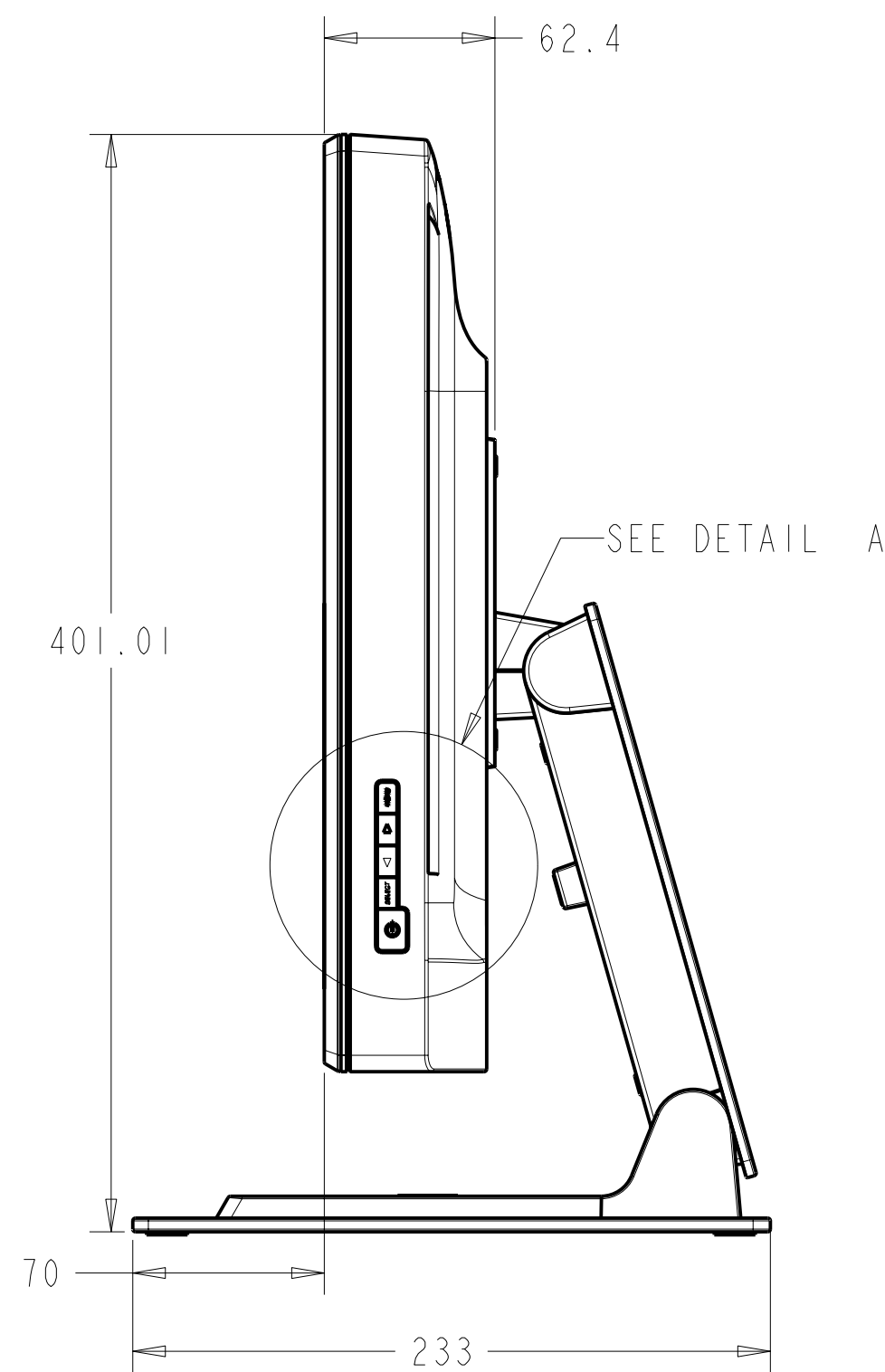
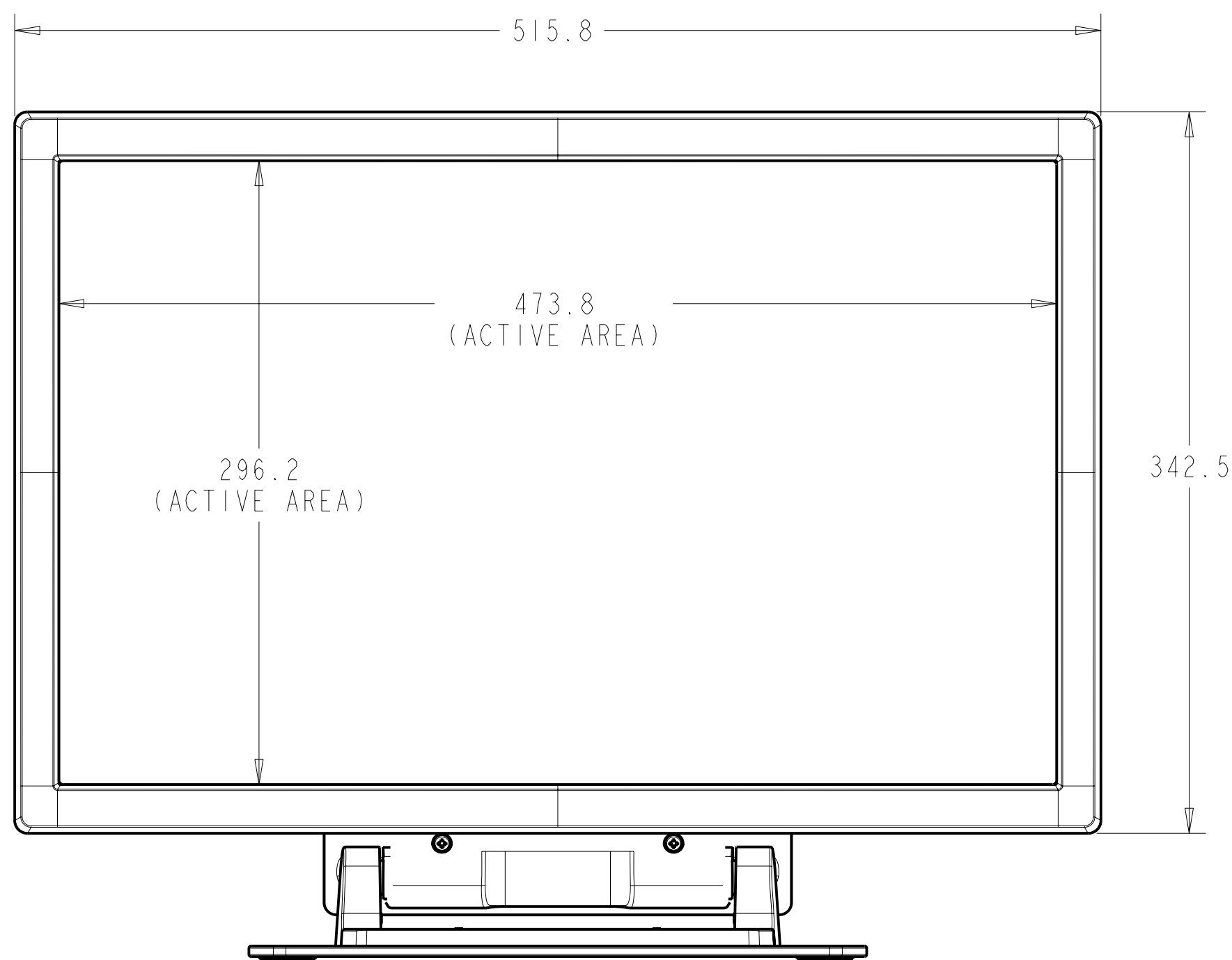
TILT -5° FROM VERTICAL



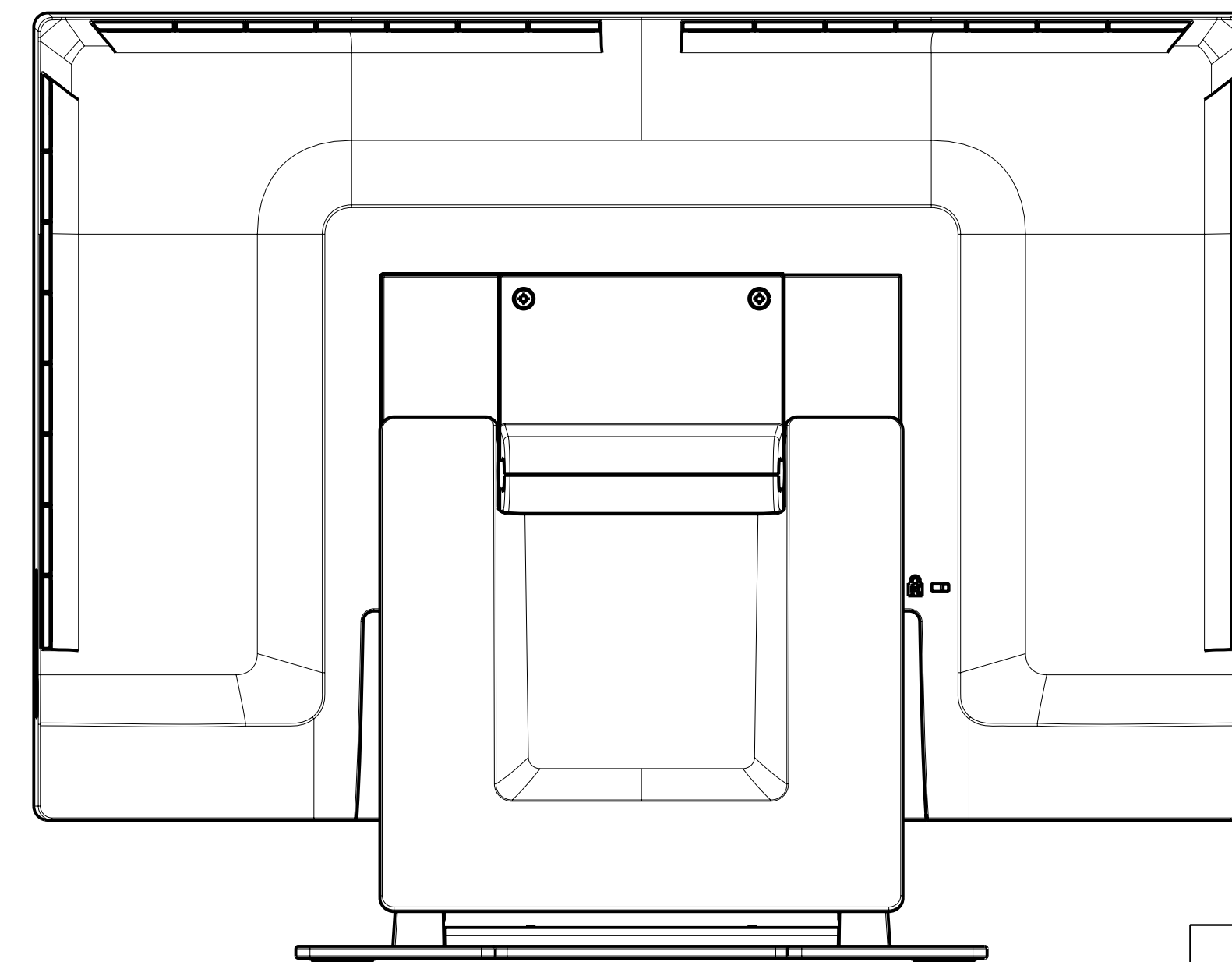
TILT 75° FROM VERTICAL

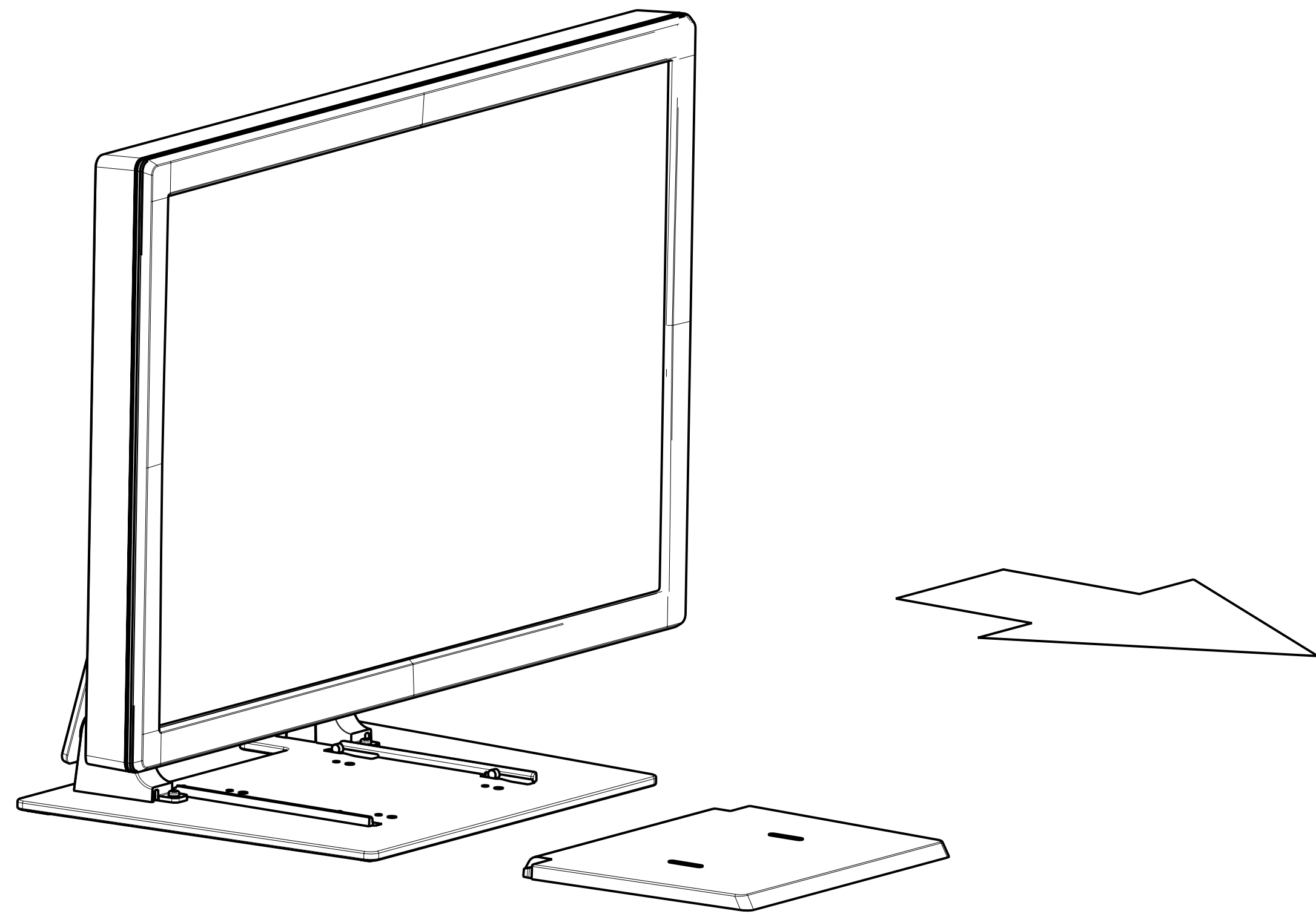


MONITOR FULLY COLLAPSED



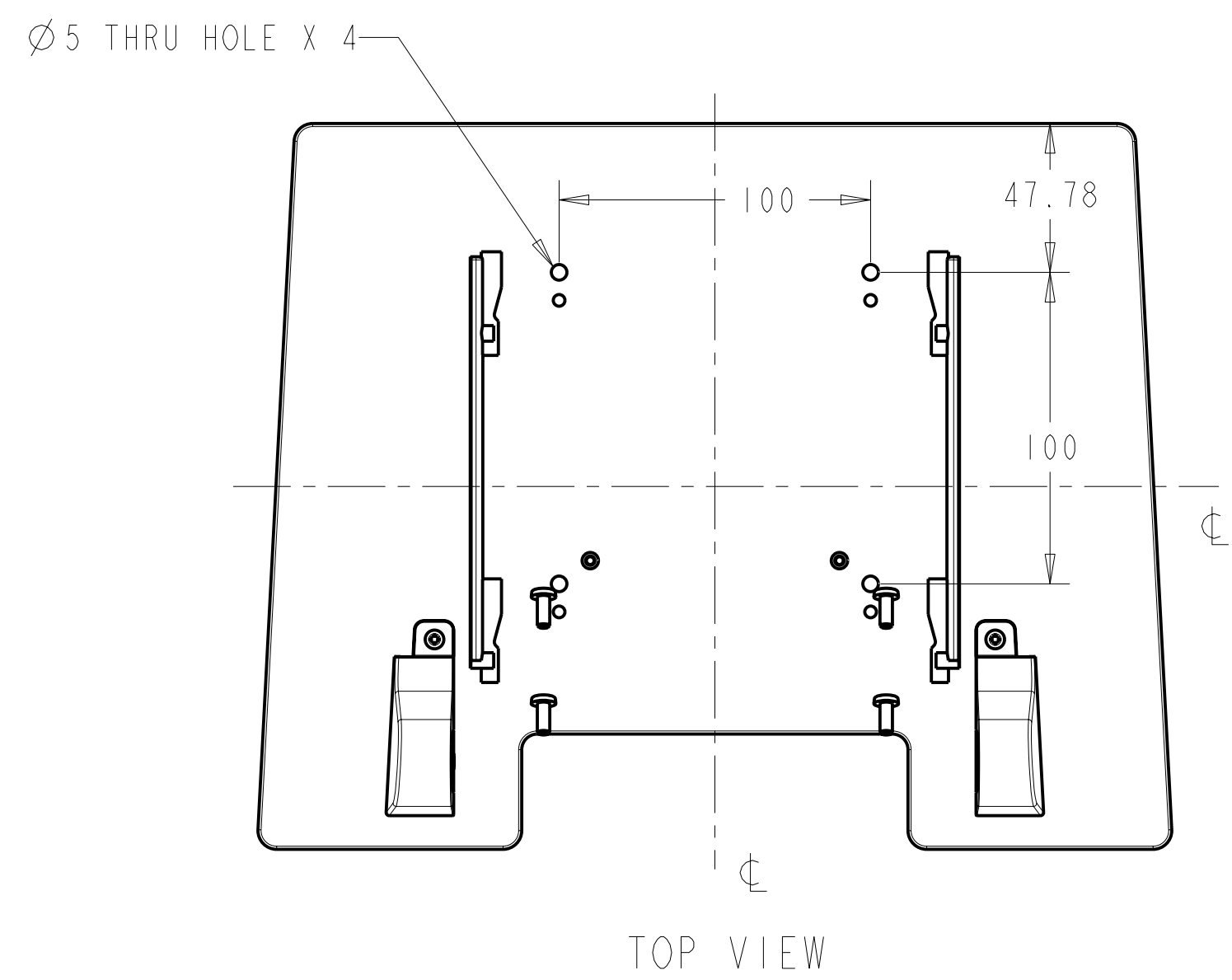
Detail A
OSD CONTROL





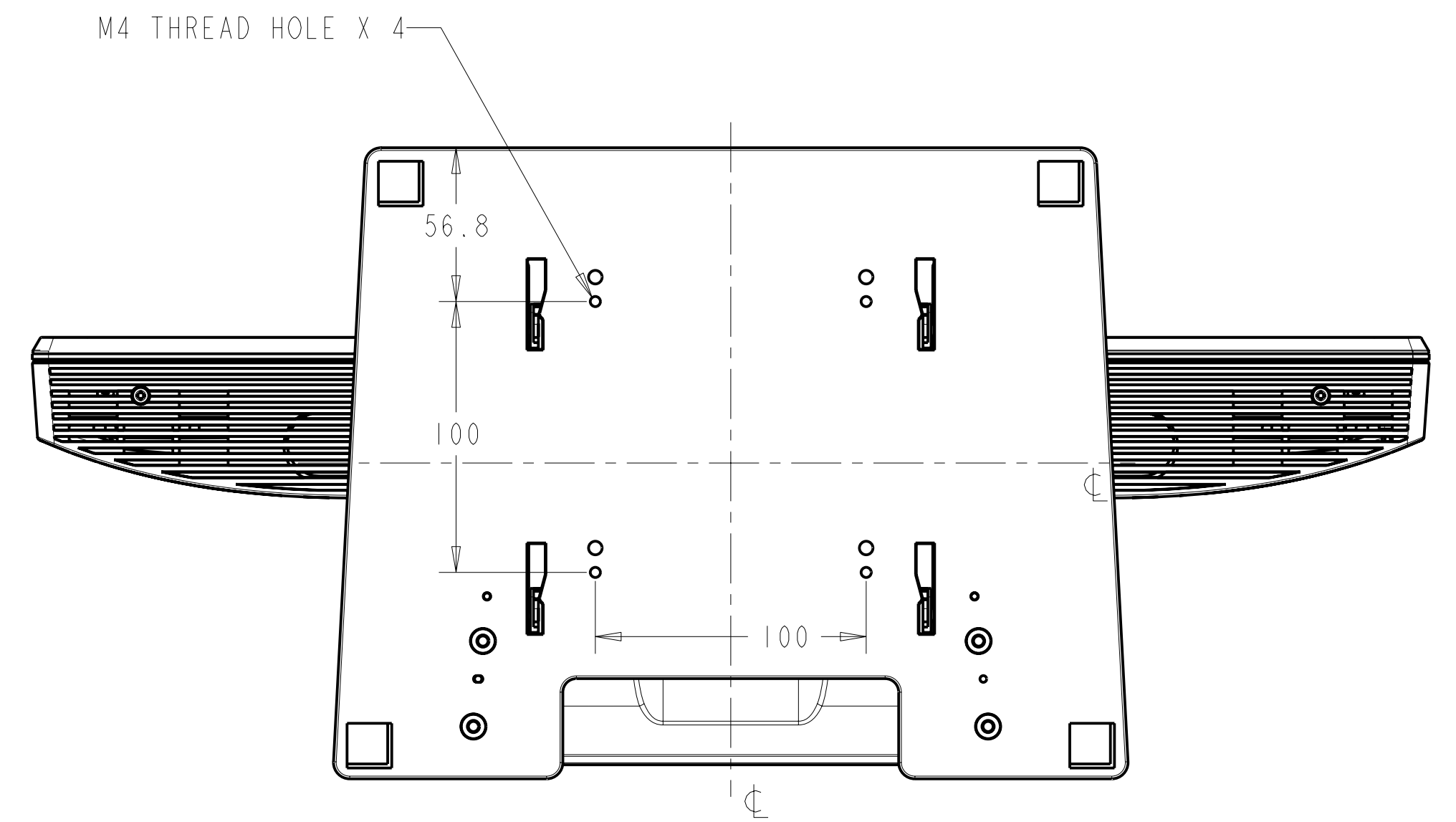
SNAP OFF STAND COVER
TO MOUNT STAND WITH
OPTION 1 FROM THE TOP.

MOUNT OPTION 1

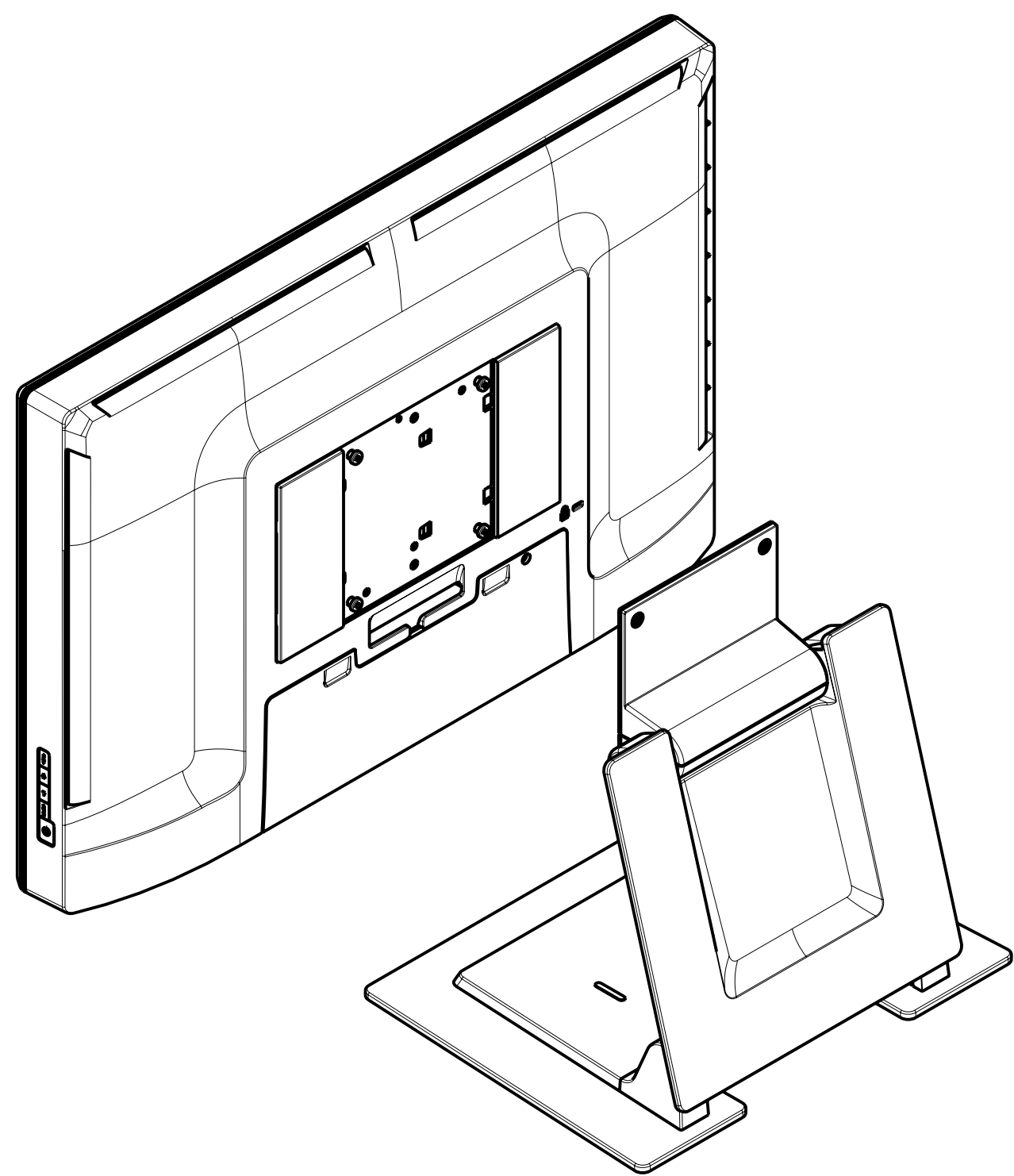
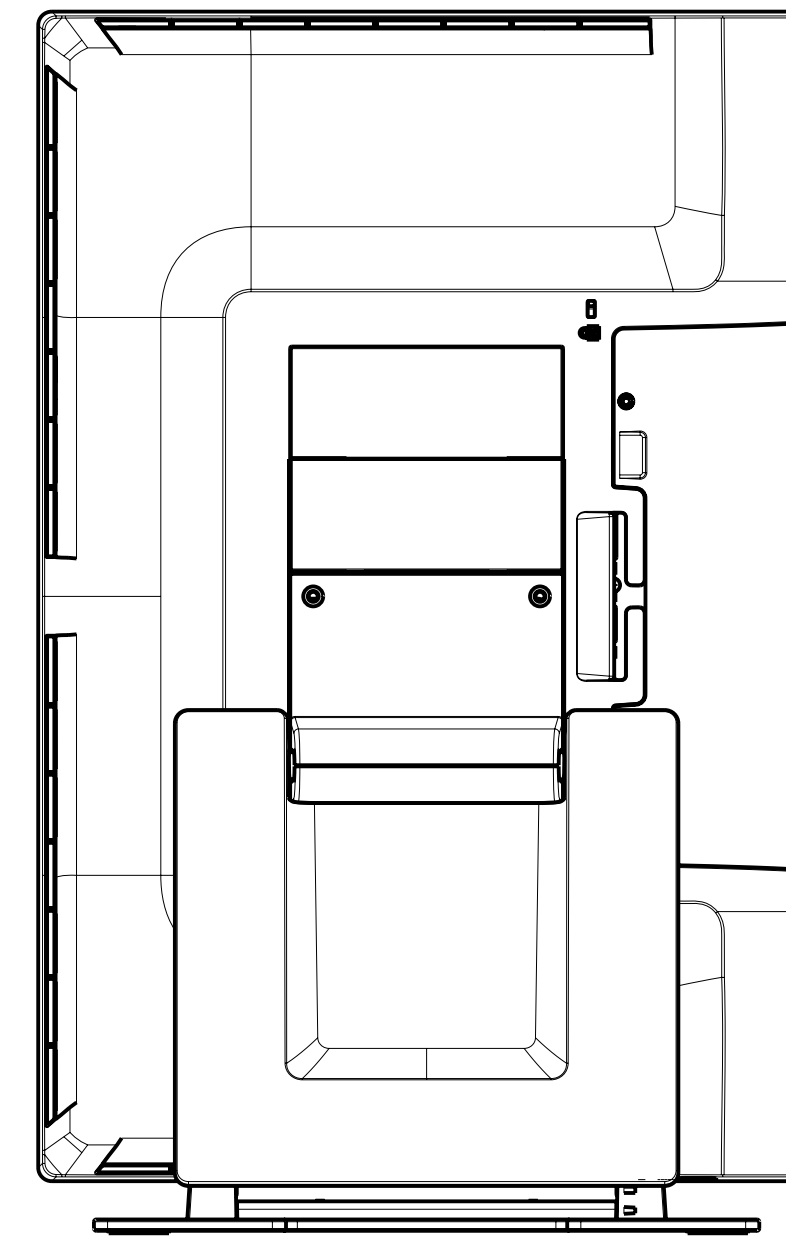
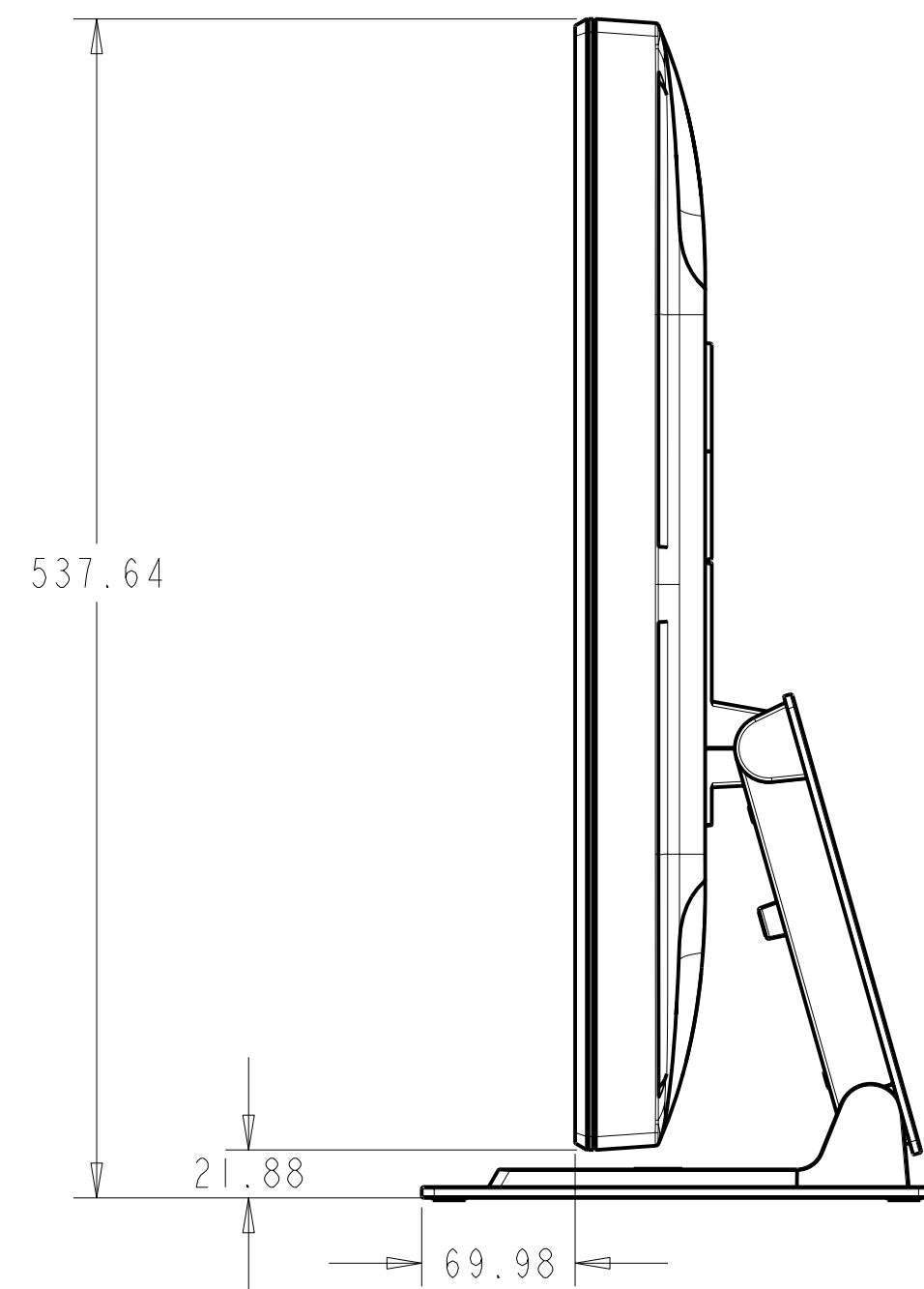
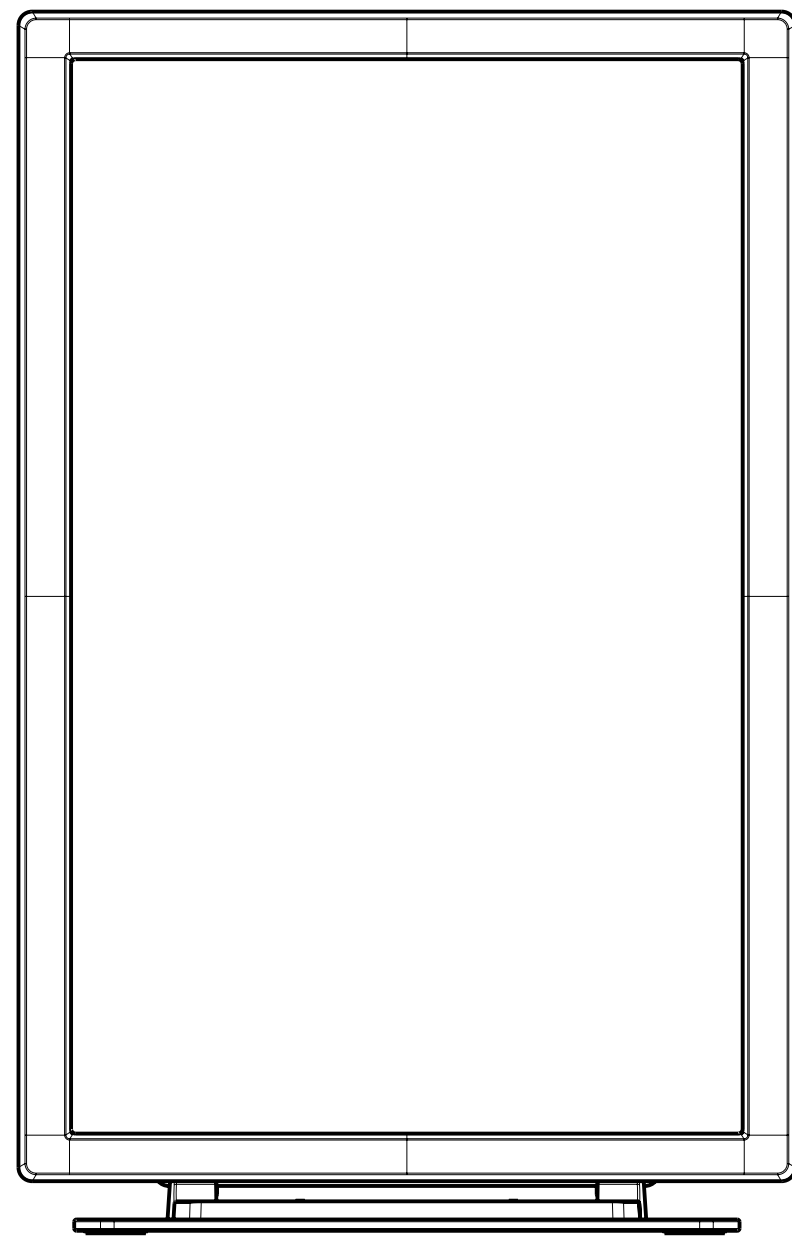


TOP VIEW

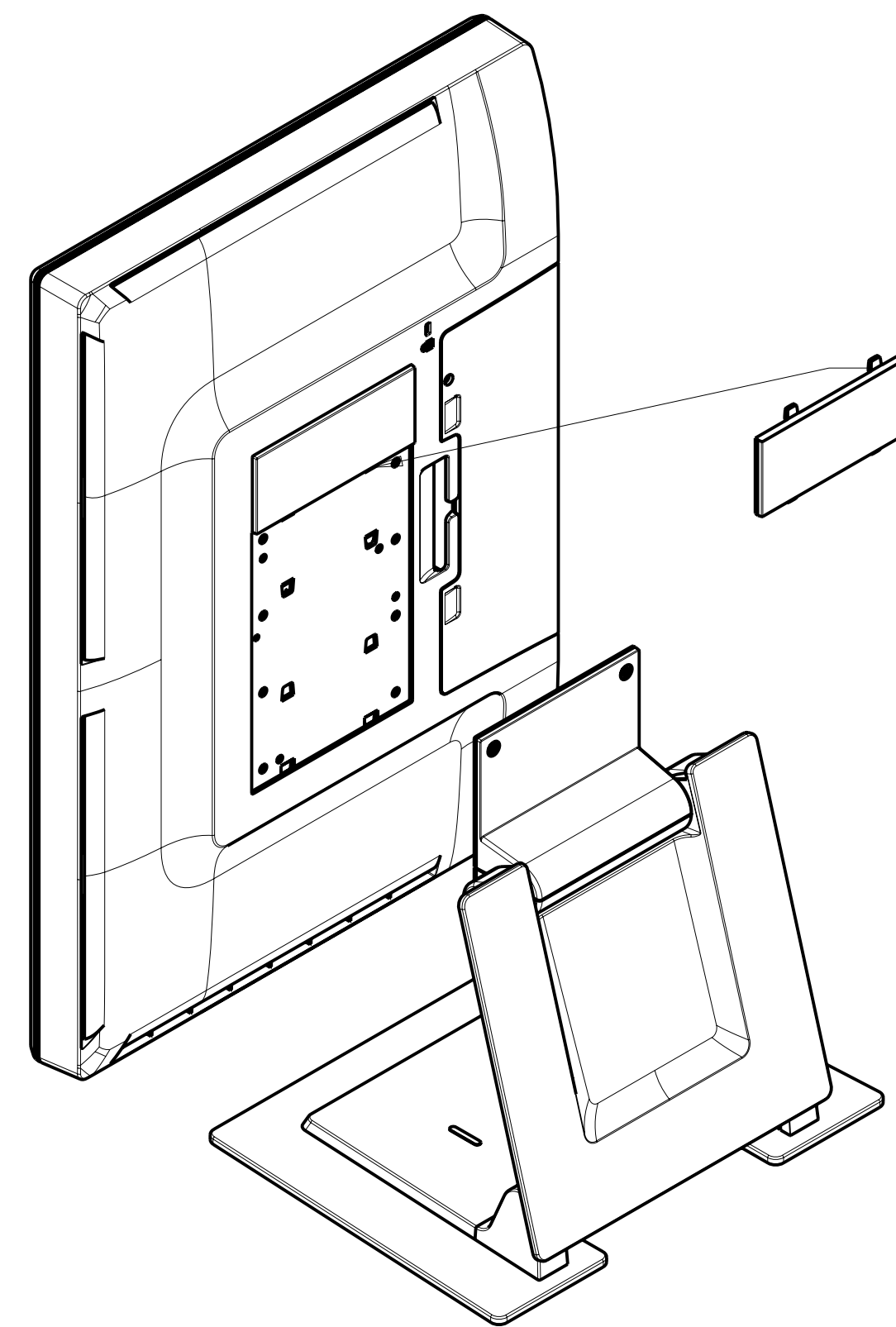
MOUNT OPTION 2



BOTTOM VIEW



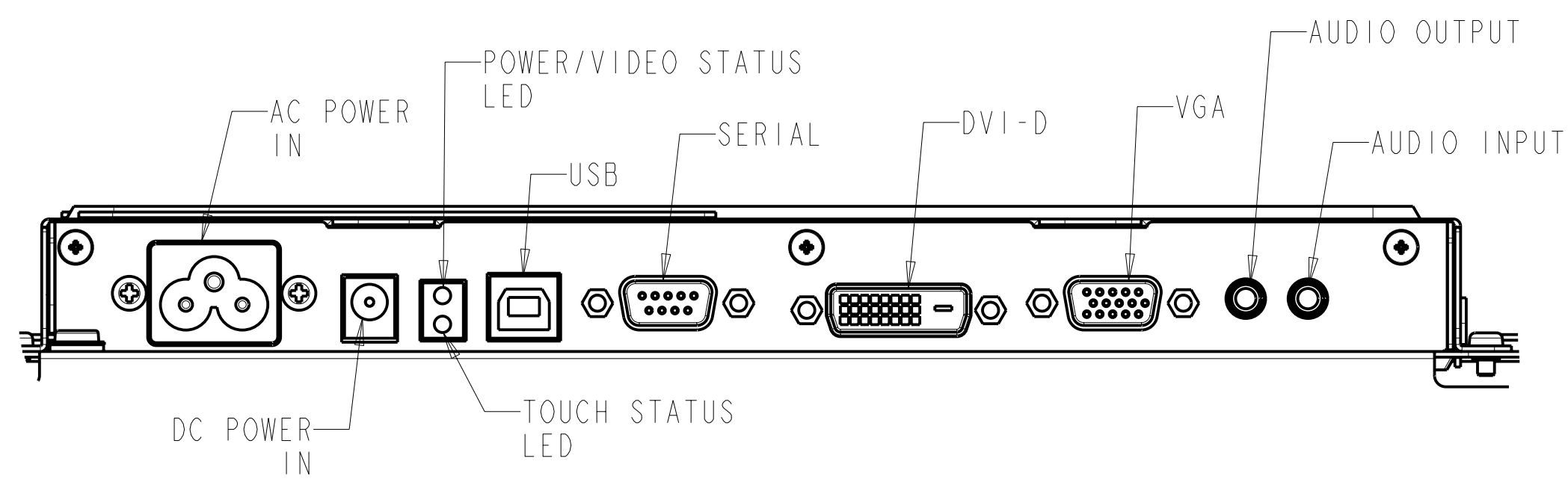
HORIZONTAL MOUNT



INSERT VESA COVER HERE FOR VERTICAL MOUNT

VERTICAL MOUNT

CONNECTOR PANEL



VESA MOUNT

