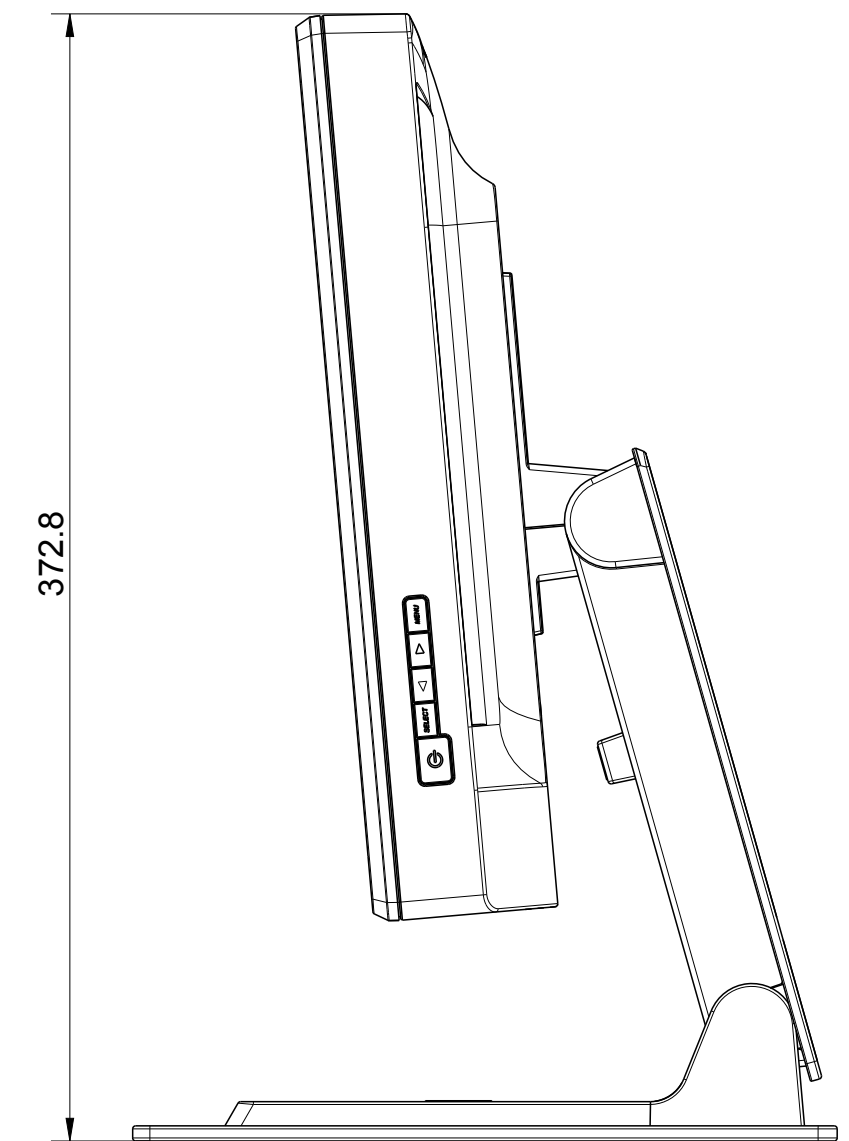
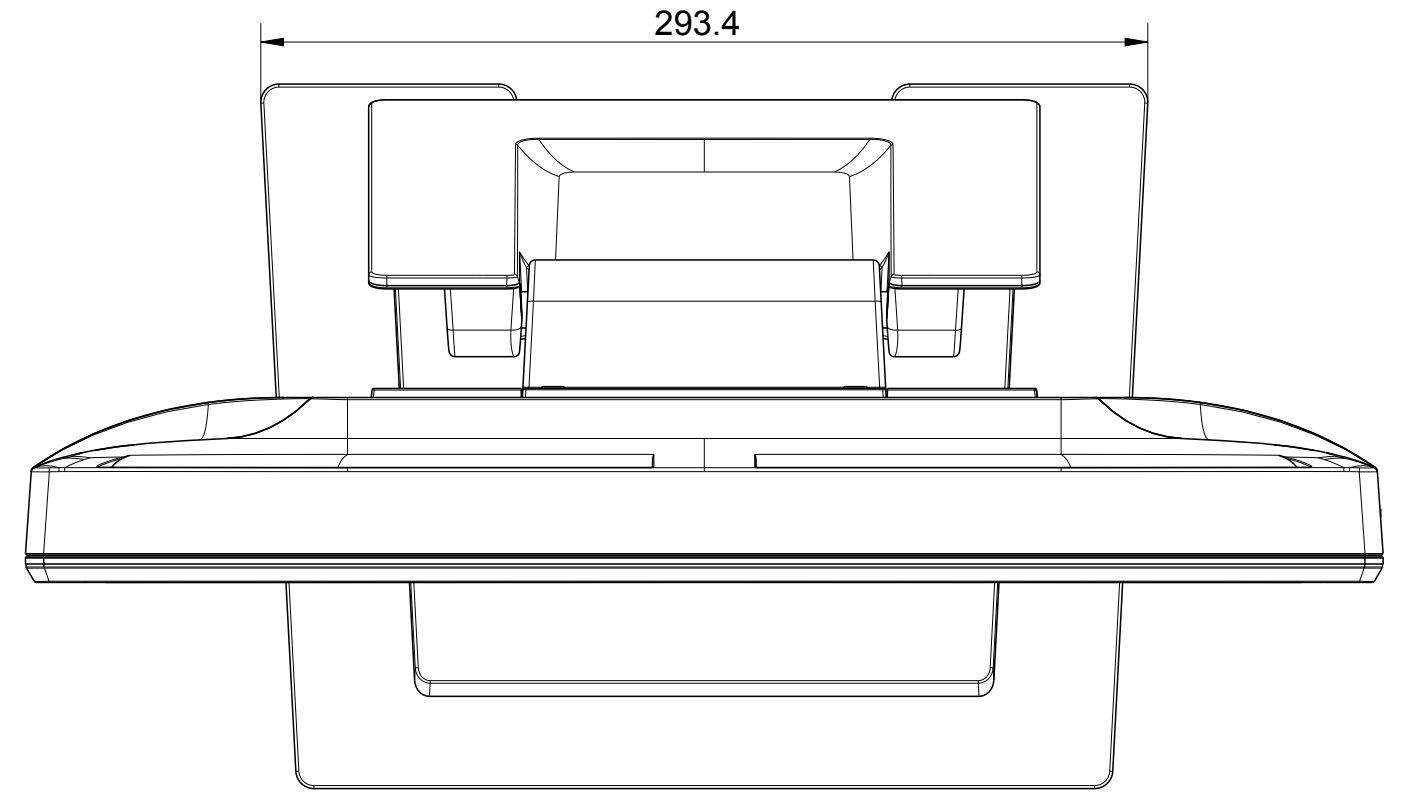
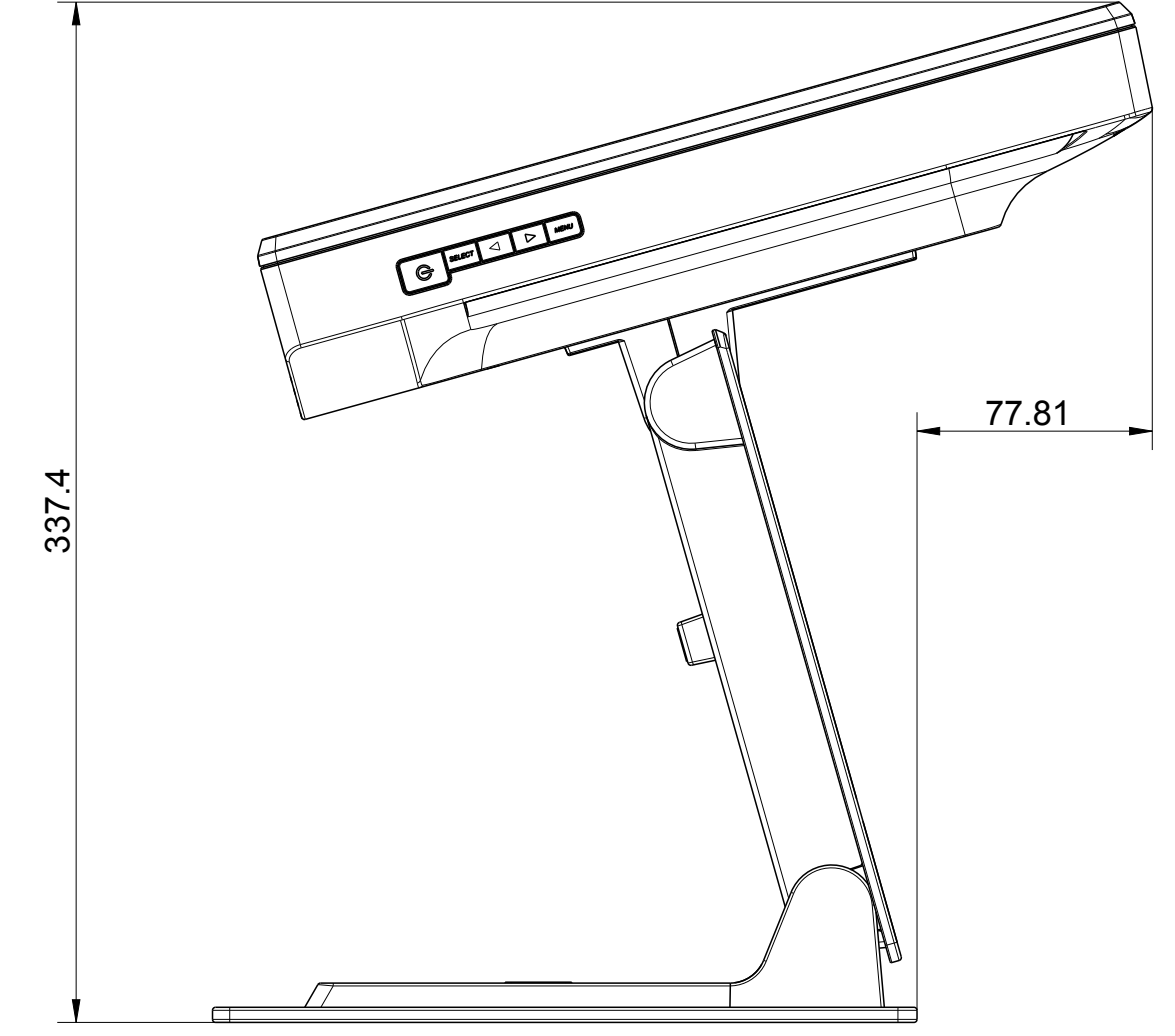


PROPRIETARY TO ELO TOUCH SOLUTIONS, INC. AND SHALL NOT BE DISCLOSED OTHER THAN TO NECESSARY EMPLOYEES OR SUPPLIERS WITHOUT THE EXPRESS WRITTEN CONSENT OF ELO TOUCH SOLUTIONS INC.

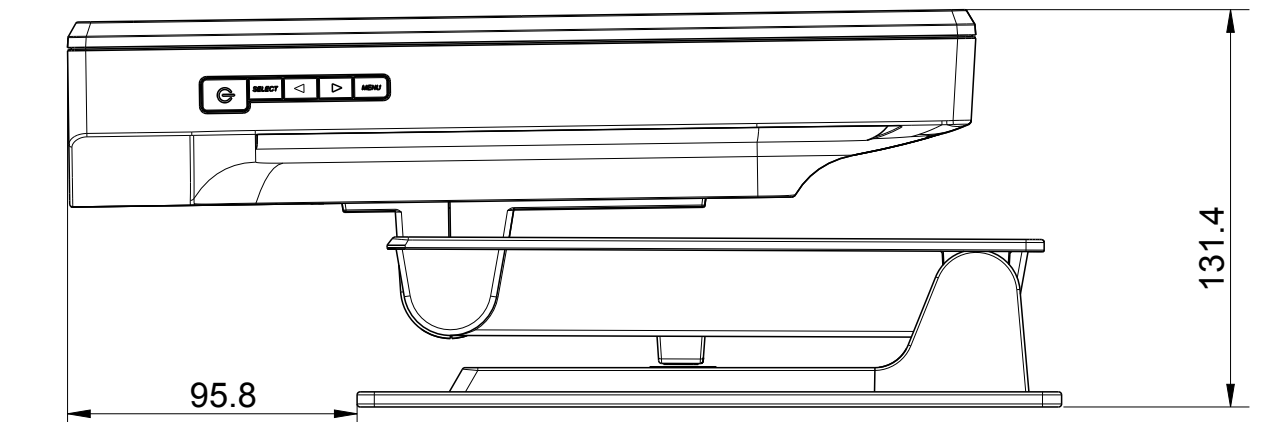
REVISIONS					
REV	ZONE	BY	DESCRIPTION	DATE	APPROVED
C	--	-	-	0609/06	
D		BA	ECO-12-014540: REBRANDED TO ELO TOUCH SLOUTIONS	08/31/12	DD



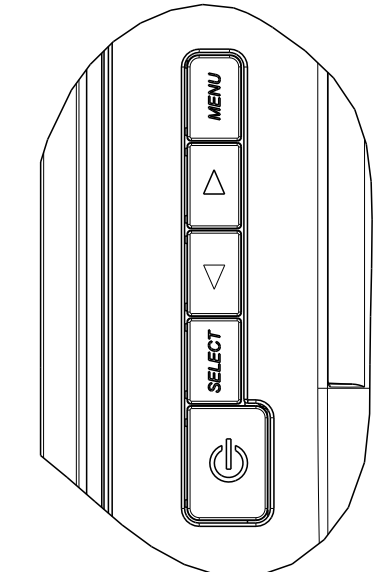
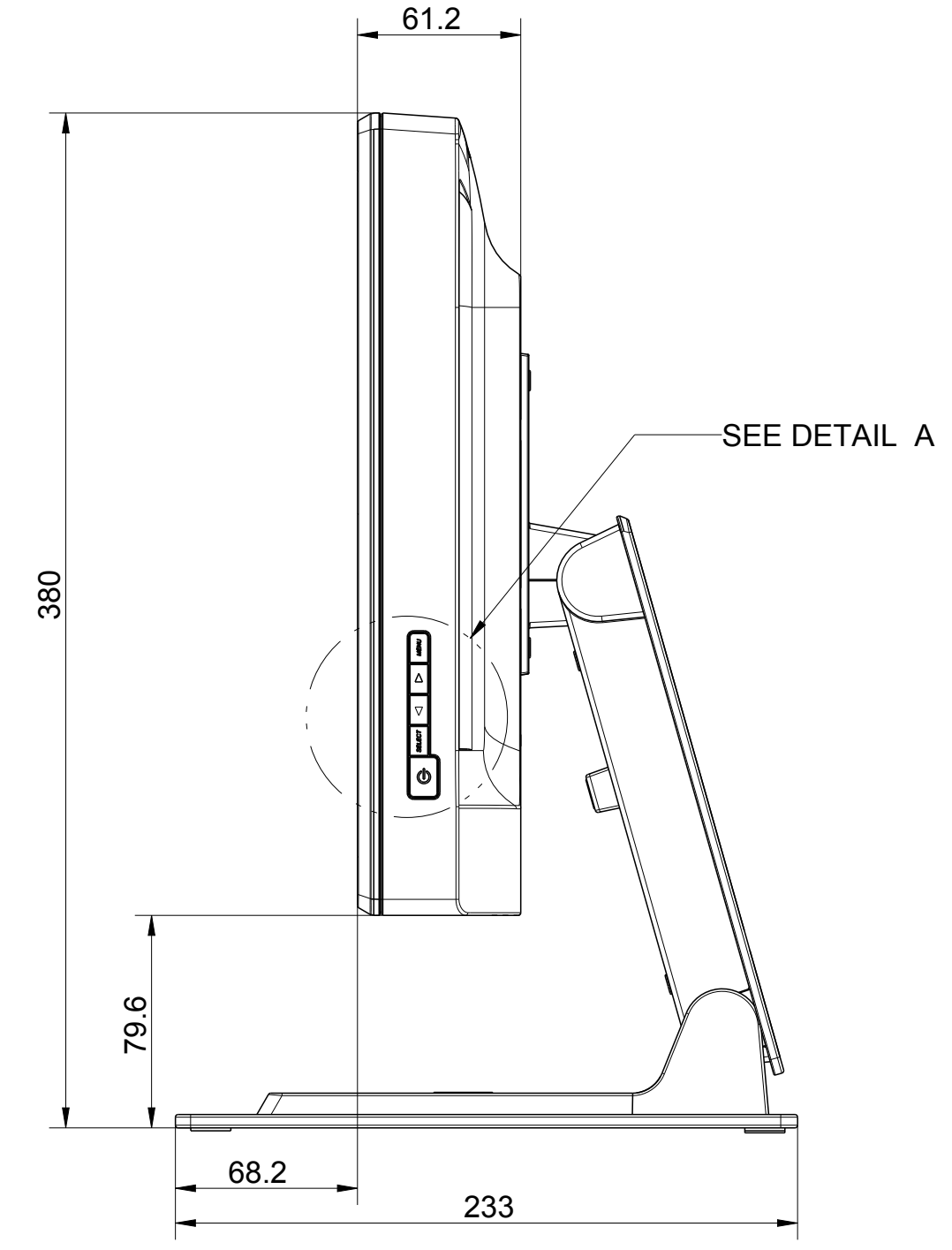
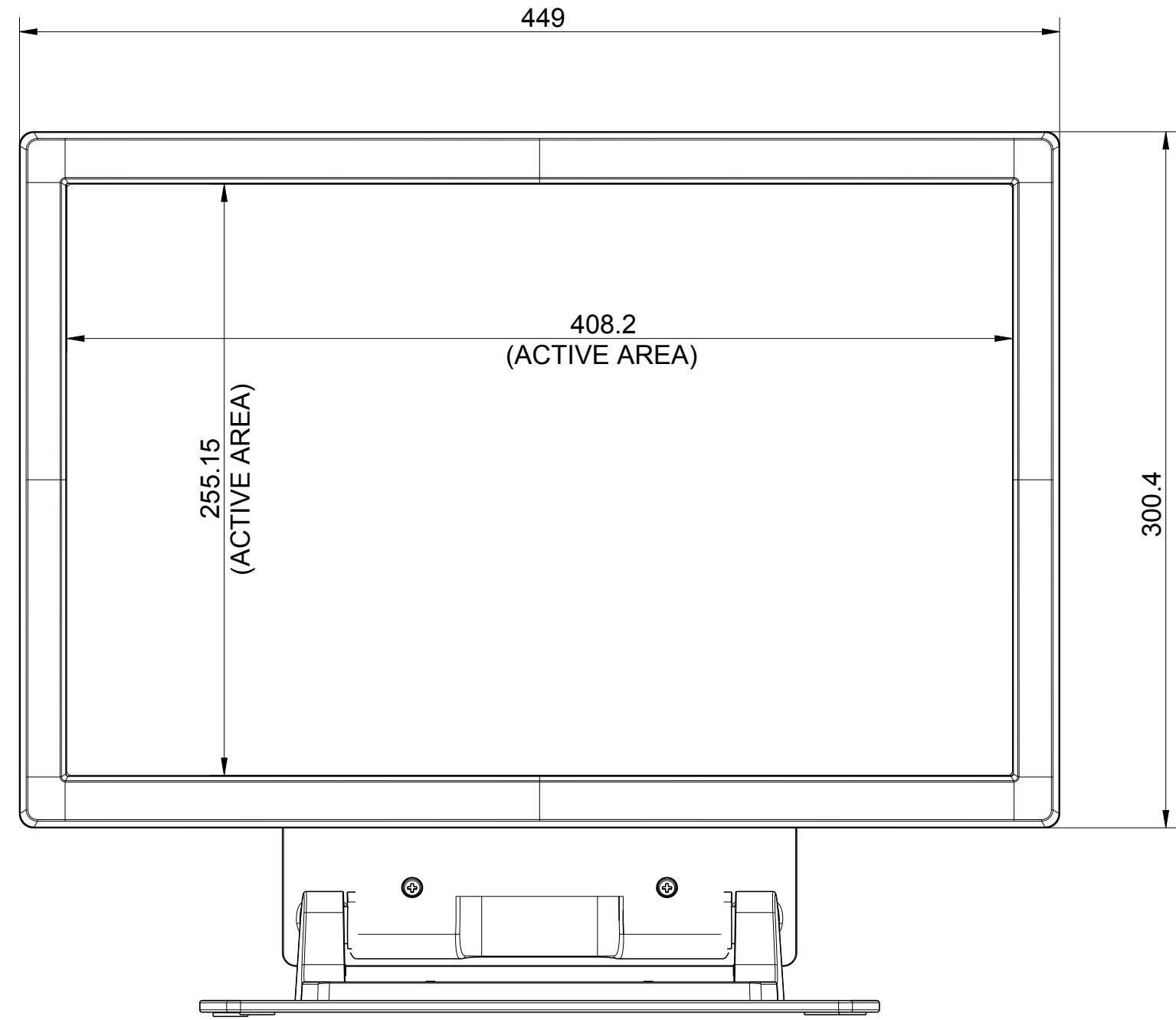
TILT -5° FROM VERTICAL



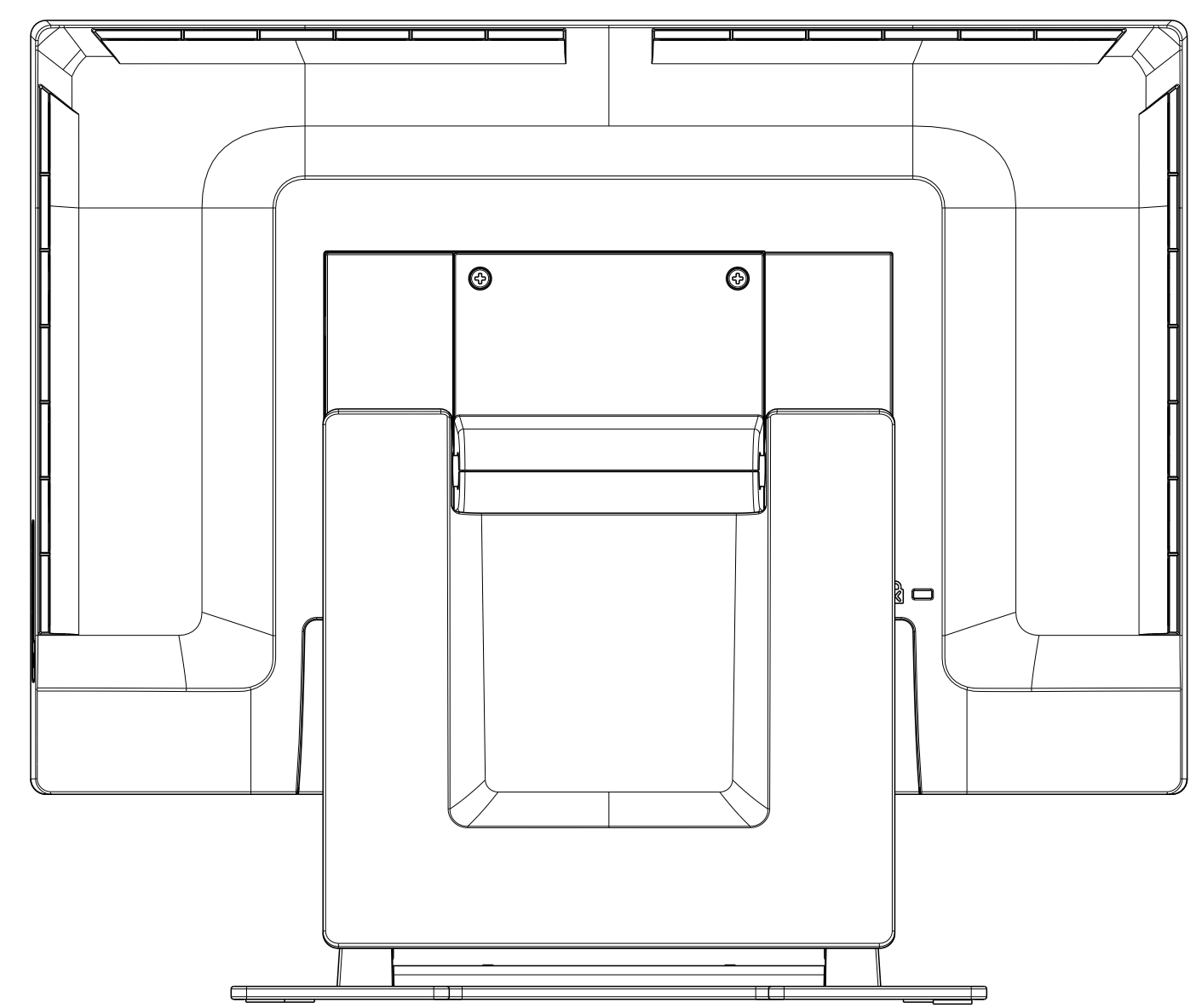
TILT 75° FROM VERTICAL



MONITOR FULLY COLLAPSED



Detail A
OSD CONTROL

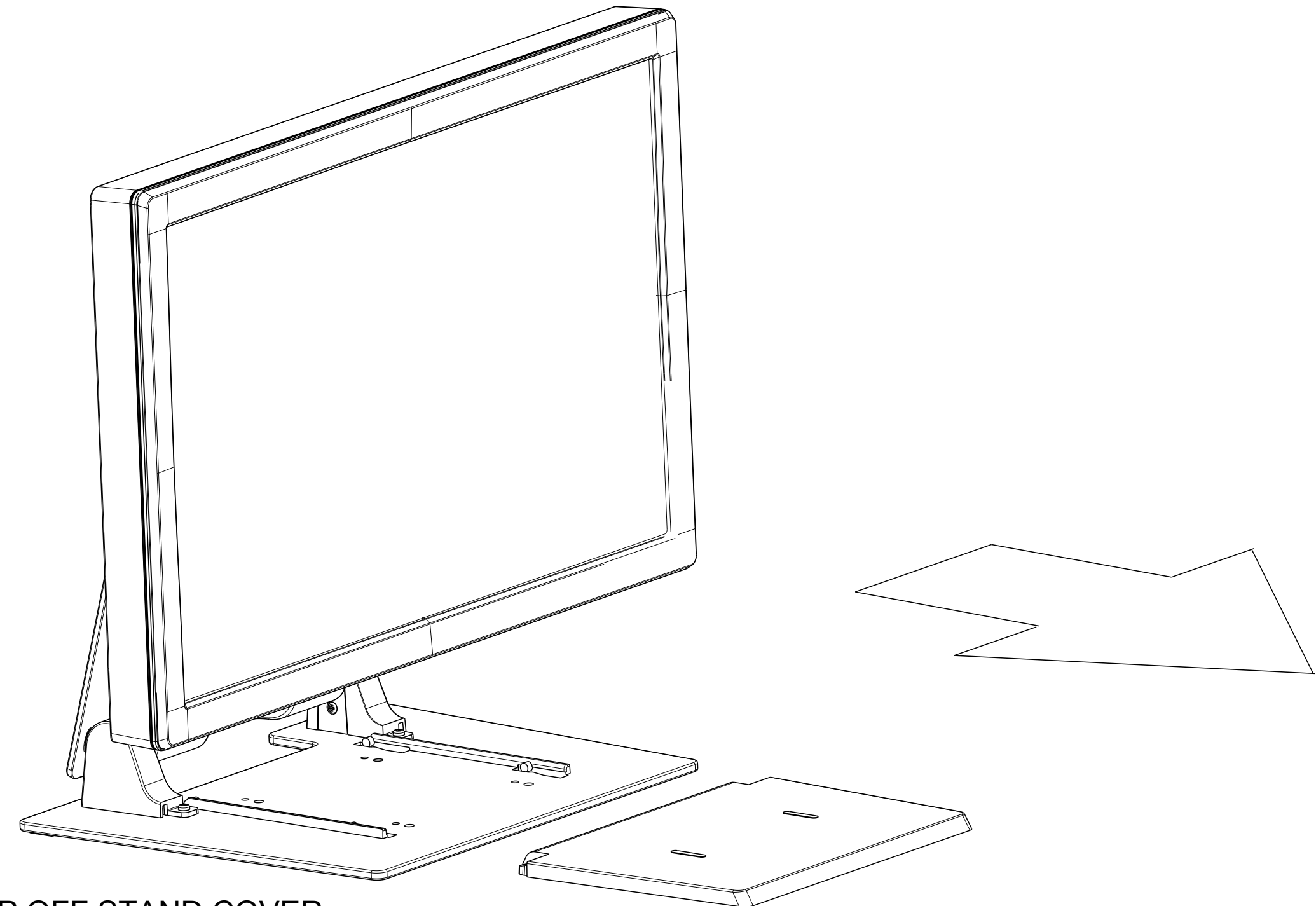


ITEM NO.	QTY REQ'D	DRAWING OR PART NO.	DESCRIPTION	MATERIAL SPECIFICATION
PARTS LIST				
PART. NO.	-	UNLESS OTHERWISE SPECIFIED ALL DIMENSIONS ARE IN MILLIMETERS	DRAWN KEN NORTH	DATE 00.00.00
METRIC		TOLERANCES ARE: DECIMALS ANGLES X ±: 0.50 ±1/ 2° X ±: 0.25 FRACTIONS XX ±: 0.13 ±1/ 32	CHECK KEN NORTH	DATE 00.00.00
DO NOT SCALE DRAWING			THIRD ANGLE PROJECTION	
Title		ET1900 DIMENSIONAL DRAWING		
Pro/E prt/asm: 19W_TLA.PRT				
Pro/E dwg: MS600650_REV.DRW		SIZE D	SCALE 2:5	SHEET 1 OF 4
		DWG. NO. MS600650	REV D	

DWG. NO. MS600650

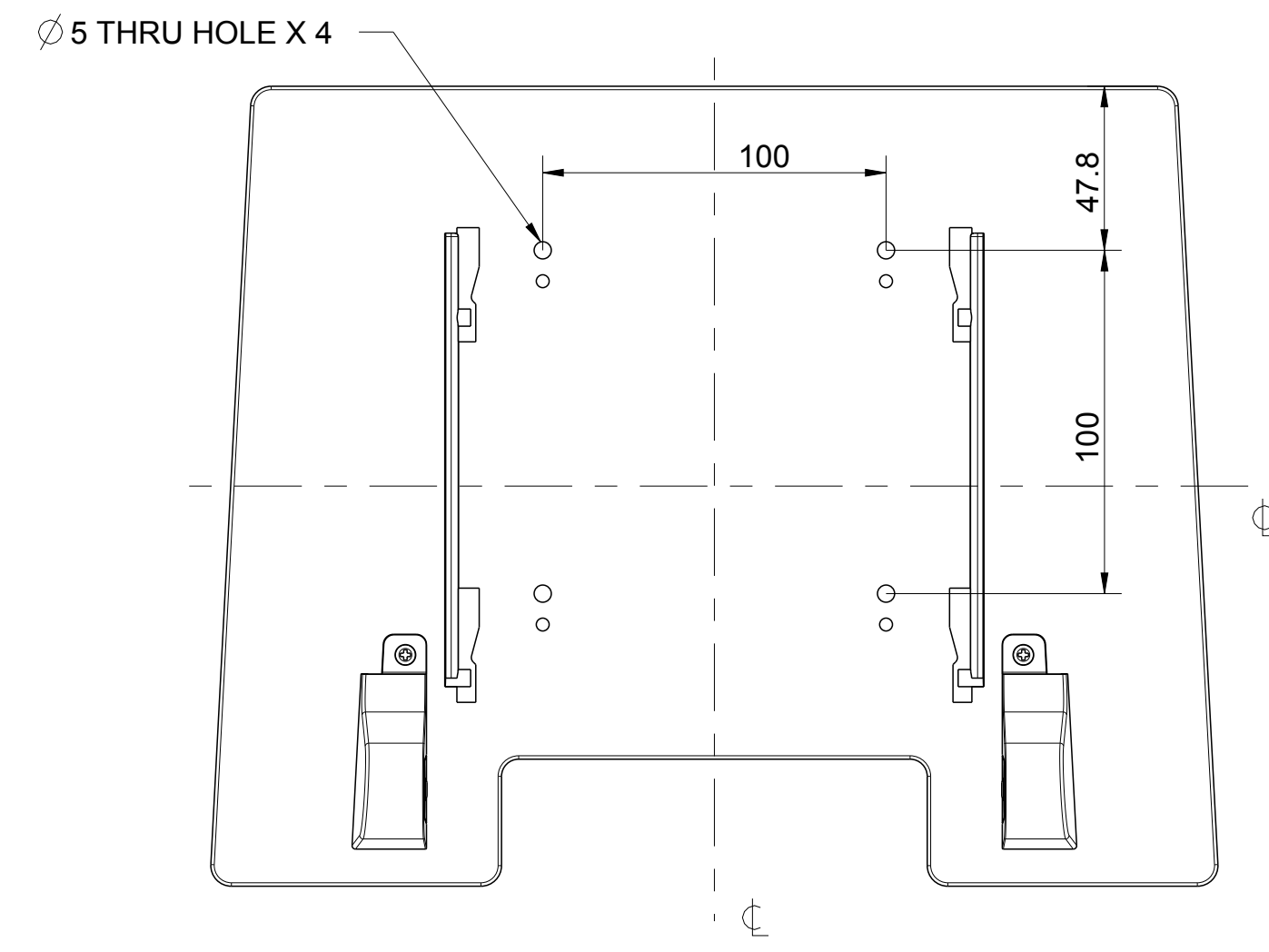
PROPRIETARY TO ELO TOUCH SOLUTIONS, INC. AND SHALL NOT BE DISCLOSED OTHER THAN TO NECESSARY EMPLOYEES OR SUPPLIERS WITHOUT THE EXPRESS WRITTEN CONSENT OF ELO TOUCH SOLUTIONS INC.

REVISIONS					
REV	ZONE	BY	DESCRIPTION	DATE	APPROVED
D	--	BA	SEE SHEET 1	08/31/12	DD



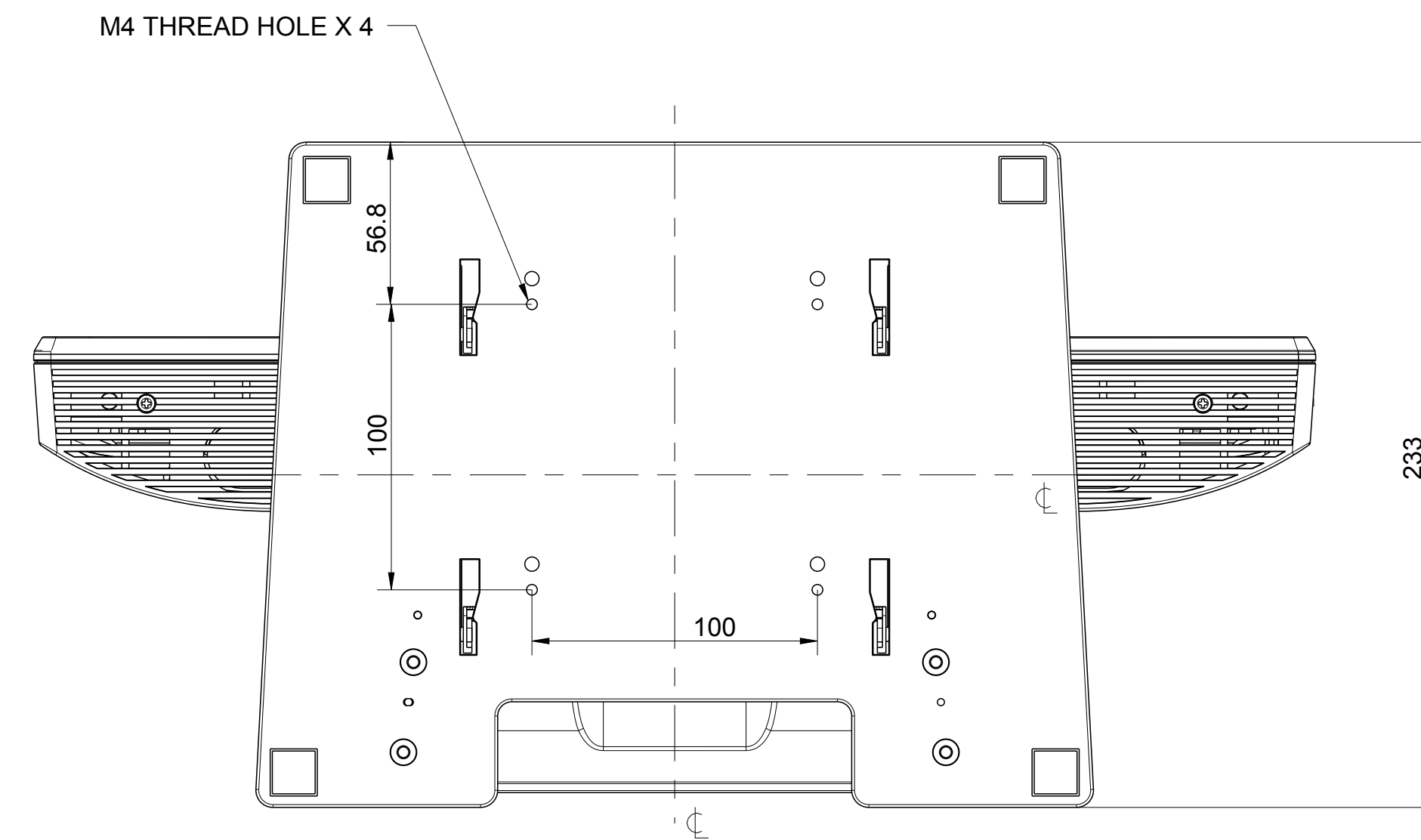
SNAP OFF STAND COVER TO MOUNT STAND WITH OPTION 1 FROM THE TOP.

MOUNT OPTION 1

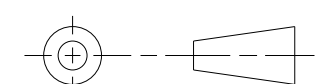



TOP VIEW

MOUNT OPTION 2



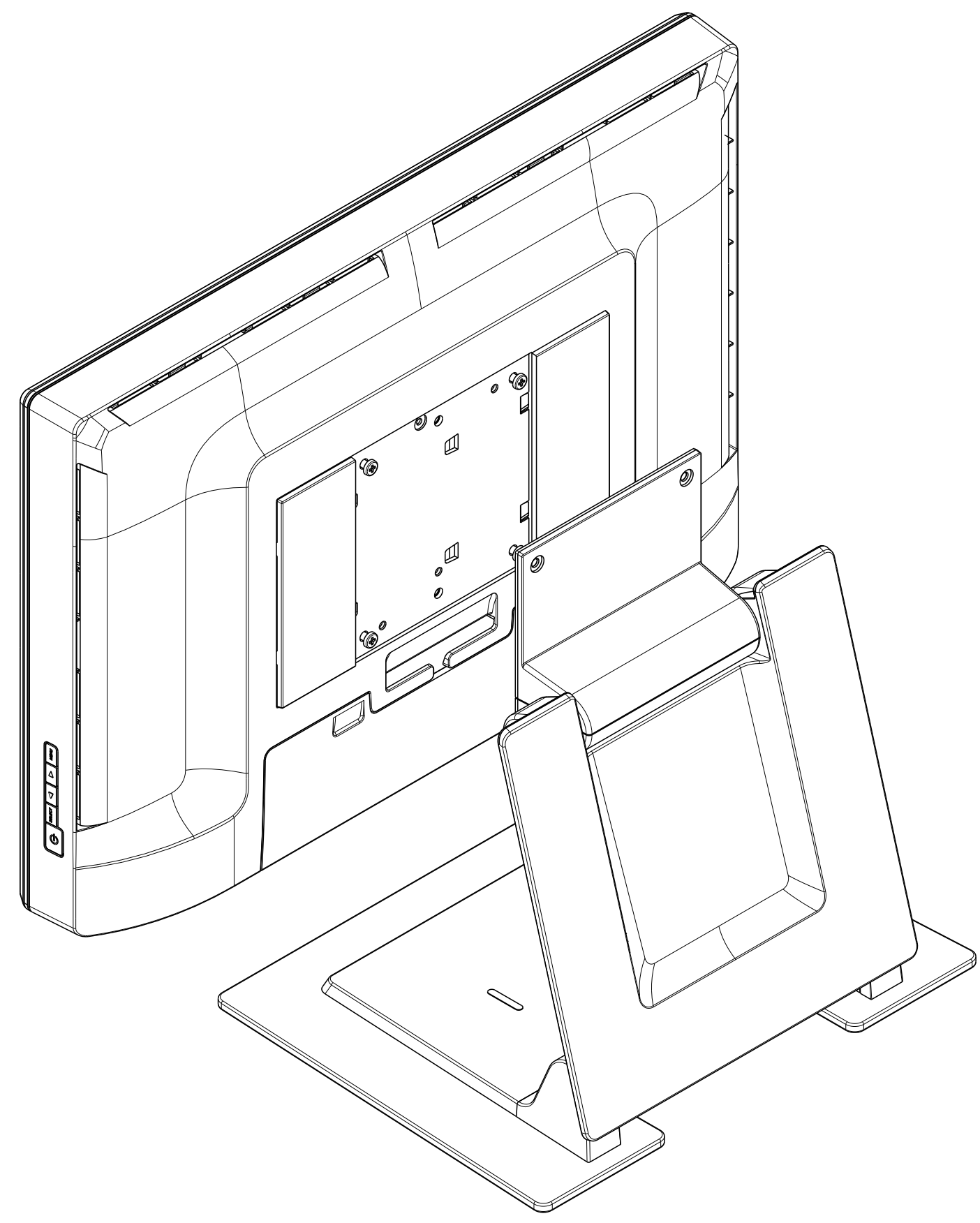
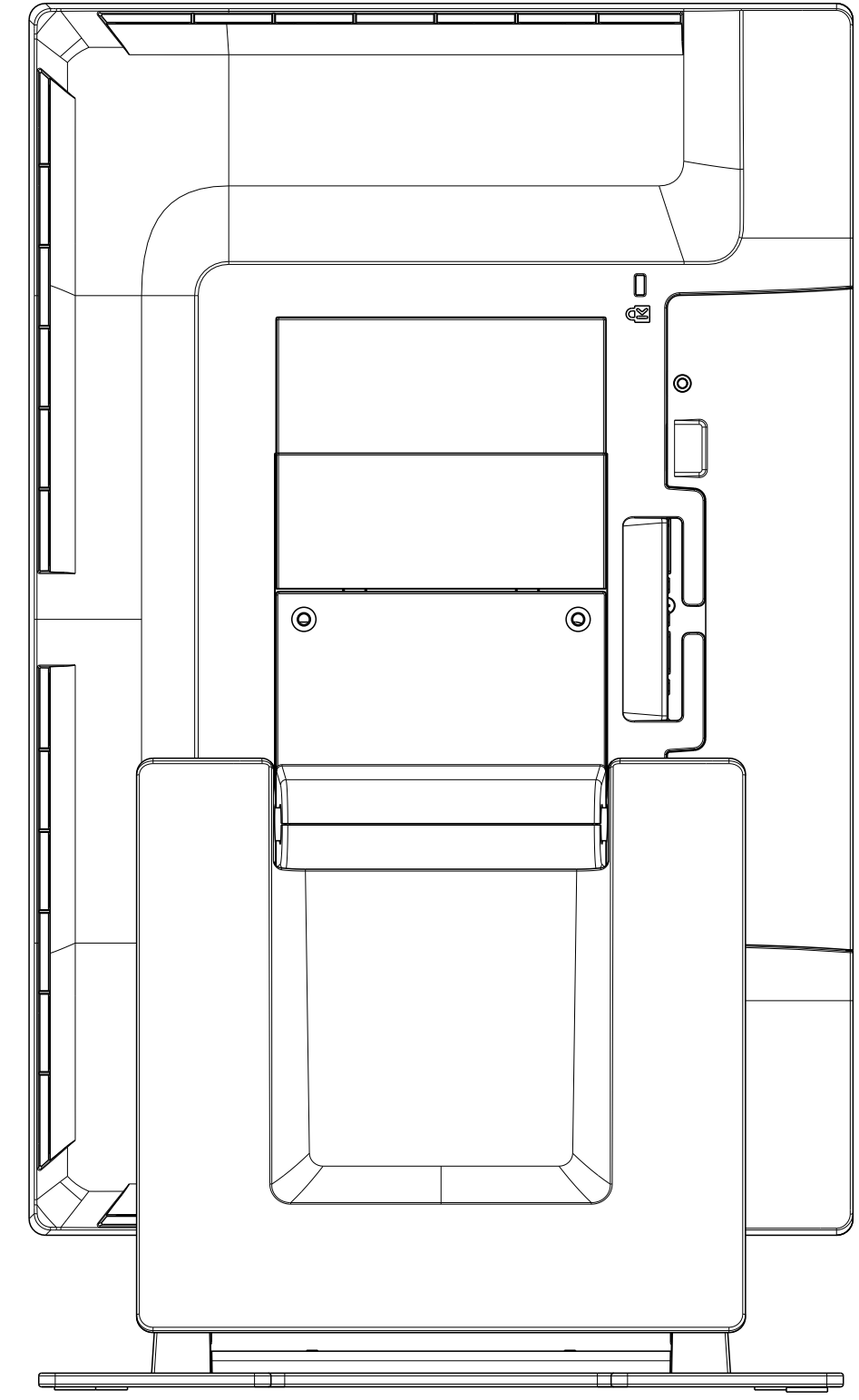
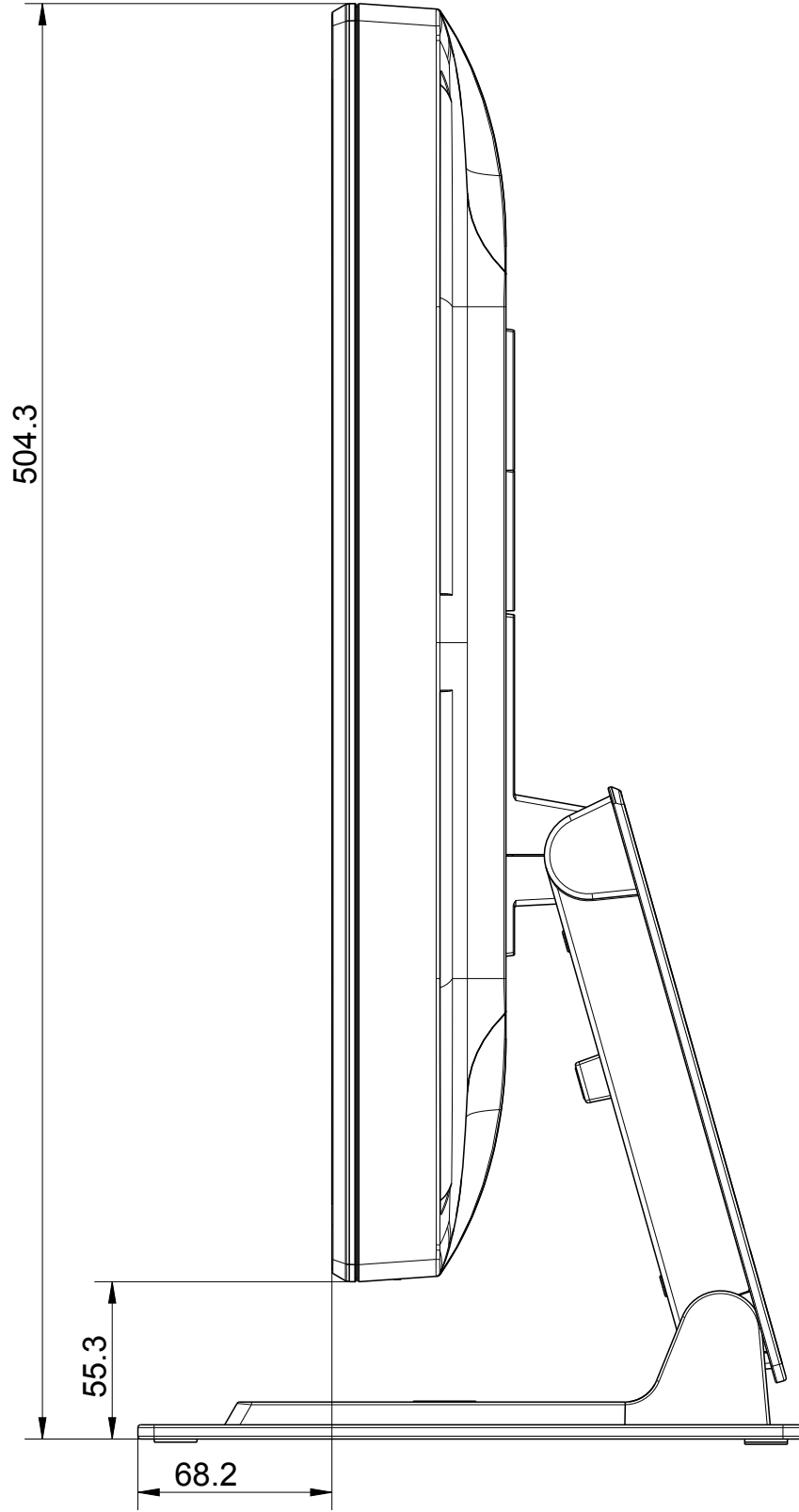
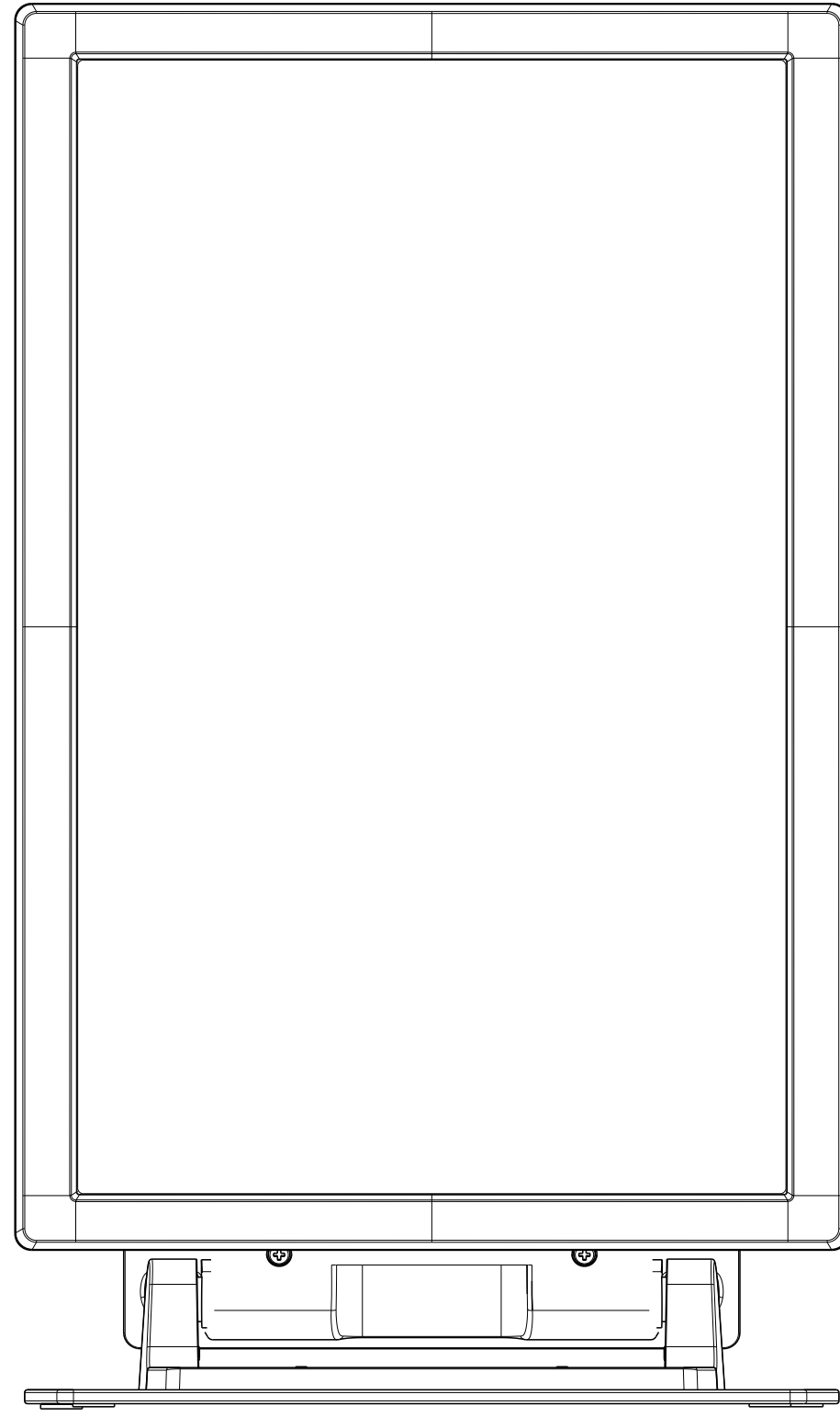
BOTTOM VIEW

ITEM NO.	QTY REQ'D	DRAWING OR PART NO.	DESCRIPTION	MATERIAL SPECIFICATION										
PARTS LIST														
PART. NO.		UNLESS OTHERWISE SPECIFIED ALL DIMENSIONS ARE IN MILLIMETERS		DRAWN KEN NORTH										
-				DATE 00.00.00										
METRIC		TOLERANCES ARE:		CHECK DATE										
DO NOT SCALE DRAWING		DECIMALS ANGLES		DESIGN DATE										
		X ± 0.50 ± 1/ 2°		KEN NORTH 00.00.00										
		X ± 0.25 FRACTIONS		THIRD ANGLE PROJECTION										
		XX ± 0.13 ± 1/ 32												
Pro/E prt/asm: 19W_TLA.PRT		Pro/E drw: MS600650_REV.DRW		<table border="1"> <tr> <th>SIZE</th> <th>SCALE</th> <th>SHEET</th> <th>DWG. NO.</th> <th>REV</th> </tr> <tr> <td>D</td> <td>2:5</td> <td>2 OF 4</td> <td>MS600650</td> <td>D</td> </tr> </table>	SIZE	SCALE	SHEET	DWG. NO.	REV	D	2:5	2 OF 4	MS600650	D
SIZE	SCALE	SHEET	DWG. NO.	REV										
D	2:5	2 OF 4	MS600650	D										
TITLE														
ET1900 DIMENSIONAL DRAWING														

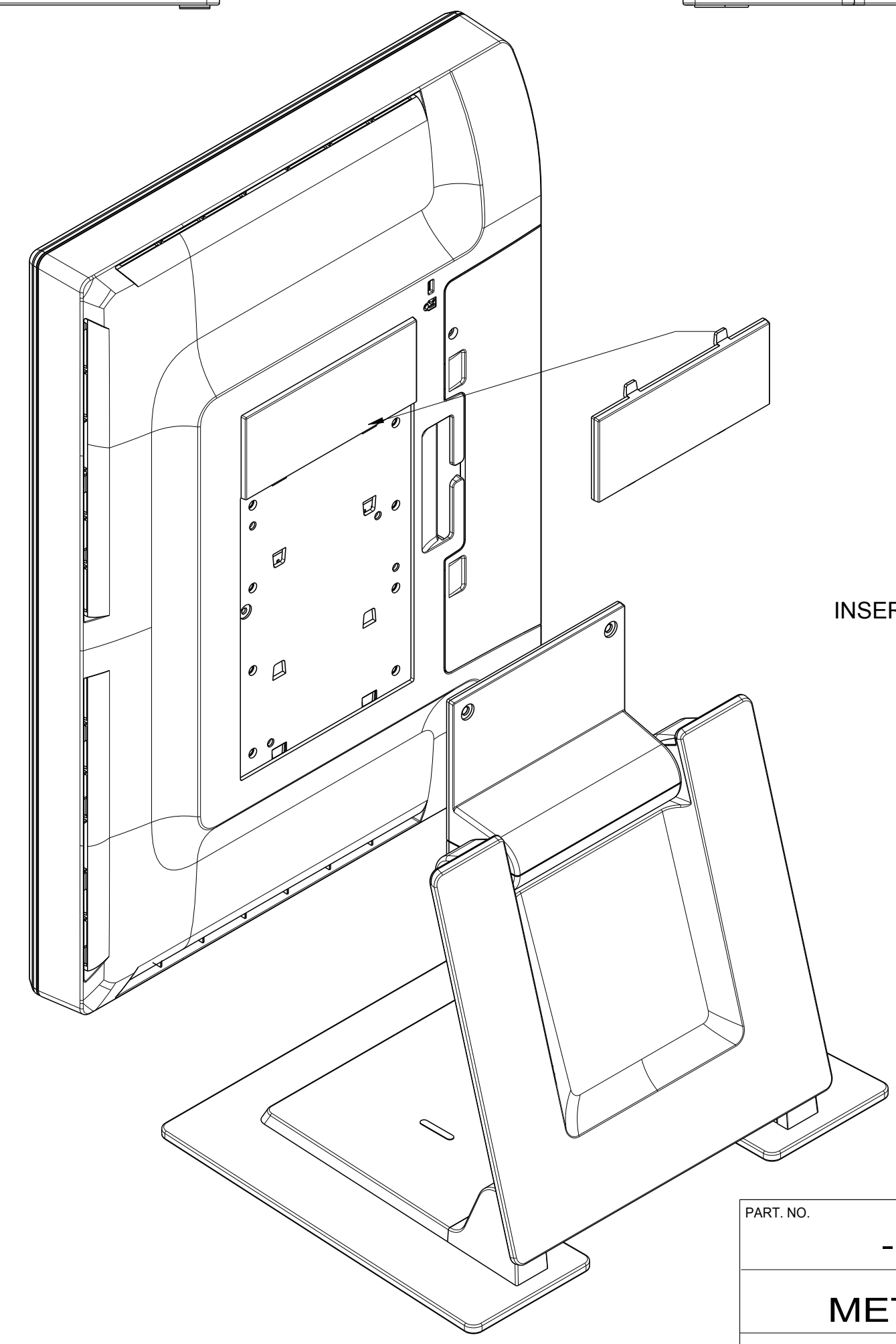
DWTG. NO. MS600650 REV. 2 OF 4

PROPRIETARY TO ELO TOUCH SOLUTIONS, INC. AND SHALL NOT BE DISCLOSED OTHER THAN TO NECESSARY EMPLOYEES OR SUPPLIERS WITHOUT THE EXPRESS WRITTEN CONSENT OF ELO TOUCH SOLUTIONS INC.

REVISIONS					
REV	ZONE	BY	DESCRIPTION	DATE	APPROVED
D	--	BA	SEE SHEET 1	08/31/12	DD



HORIZONTAL MOUNT



VERTICAL MOUNT

INSERT VESA COVER HERE FOR VERTICAL MOUNT

ITEM NO.	QTY REQ'D	DRAWING OR PART NO.	DESCRIPTION	MATERIAL SPECIFICATION
PARTS LIST				
PART. NO. -		UNLESS OTHERWISE SPECIFIED ALL DIMENSIONS ARE IN MILLIMETERS	DRAWN KEN NORTH	DATE 00.00.00
METRIC		TOLERANCES ARE: DECIMALS ANGLES X ± 0.50 ±1/ 2" X ± 0.25 FRACTIONS XX ± 0.13 ±1/ 32	CHECK	DATE
			DESIGN KEN NORTH	DATE 00.00.00
DO NOT SCALE DRAWING		THIRD ANGLE PROJECTION		TITLE ET1900 DIMENSIONAL DRAWING
Pro/E prt/asm: 19W_TLA.PRT		Pro/E dwg: MS600650_REV.DRW		
SIZE D	SCALE 1:2	SHEET 3 OF 4	DWG. NO. MS600650	

DWG. NO. MS600650 REV D SHIT_3 OF 4

8 7 6 5 4 3 2 1

D C B A

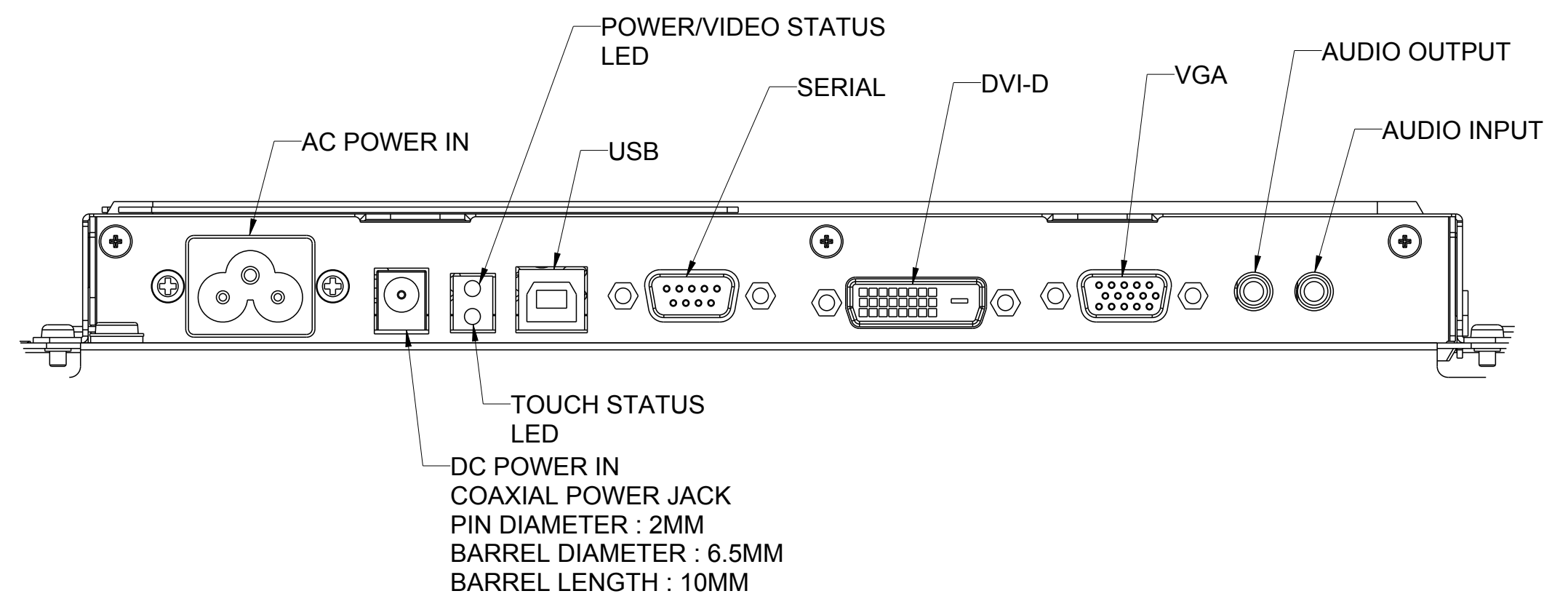
D C B A

8 7 6 5 4 3 2 1

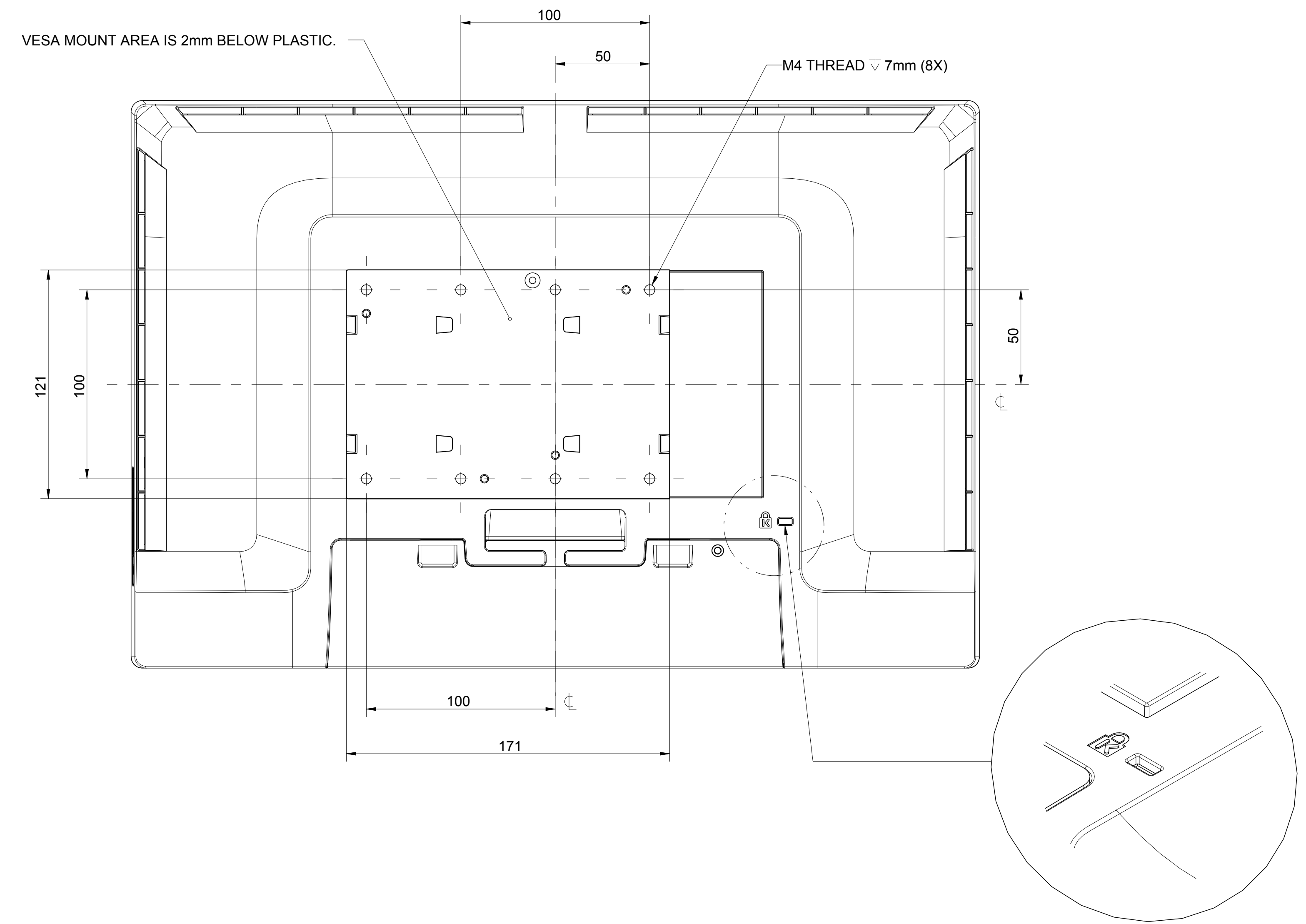
PROPRIETARY TO ELO TOUCH SOLUTIONS, INC. AND SHALL NOT BE DISCLOSED OTHER THAN TO NECESSARY EMPLOYEES OR SUPPLIERS WITHOUT THE EXPRESS WRITTEN CONSENT OF ELO TOUCH SOLUTIONS INC.

REVISIONS					
REV	ZONE	BY	DESCRIPTION	DATE	APPROVED
D	--	BA	SEE SHEET 1	08/31/12	DD

CONNECTOR PANEL



VESA MOUNT



ITEM NO.	QTY REQ'D	DRAWING OR PART NO.	DESCRIPTION	MATERIAL SPECIFICATION
PARTS LIST				

PART. NO. -	UNLESS OTHERWISE SPECIFIED ALL DIMENSIONS ARE IN MILLIMETERS	DRAWN KEN NORTH	DATE 00.00.00	TITLE ET1900 DIMENSIONAL DRAWING	
METRIC	TOLERANCES ARE: DECIMALS: X ± 0.50 X ± 0.25 XX ± 0.13 ANGLES: ±1/ 2° FRACTIONS: ±1/ 32	CHECK KEN NORTH	DATE 00.00.00	THIRD ANGLE PROJECTION	
DO NOT SCALE DRAWING		Pro/E .prt/.asm: 19W_TLA.PRT		SIZE D	SCALE 2:5
Pro/E .dwt: MS600650_REV0.DRW		SHEET 4 OF 4		DWG. NO. MS600650	REV D

REV D
SHT 4 OF 4
DWG. NO. MS600650