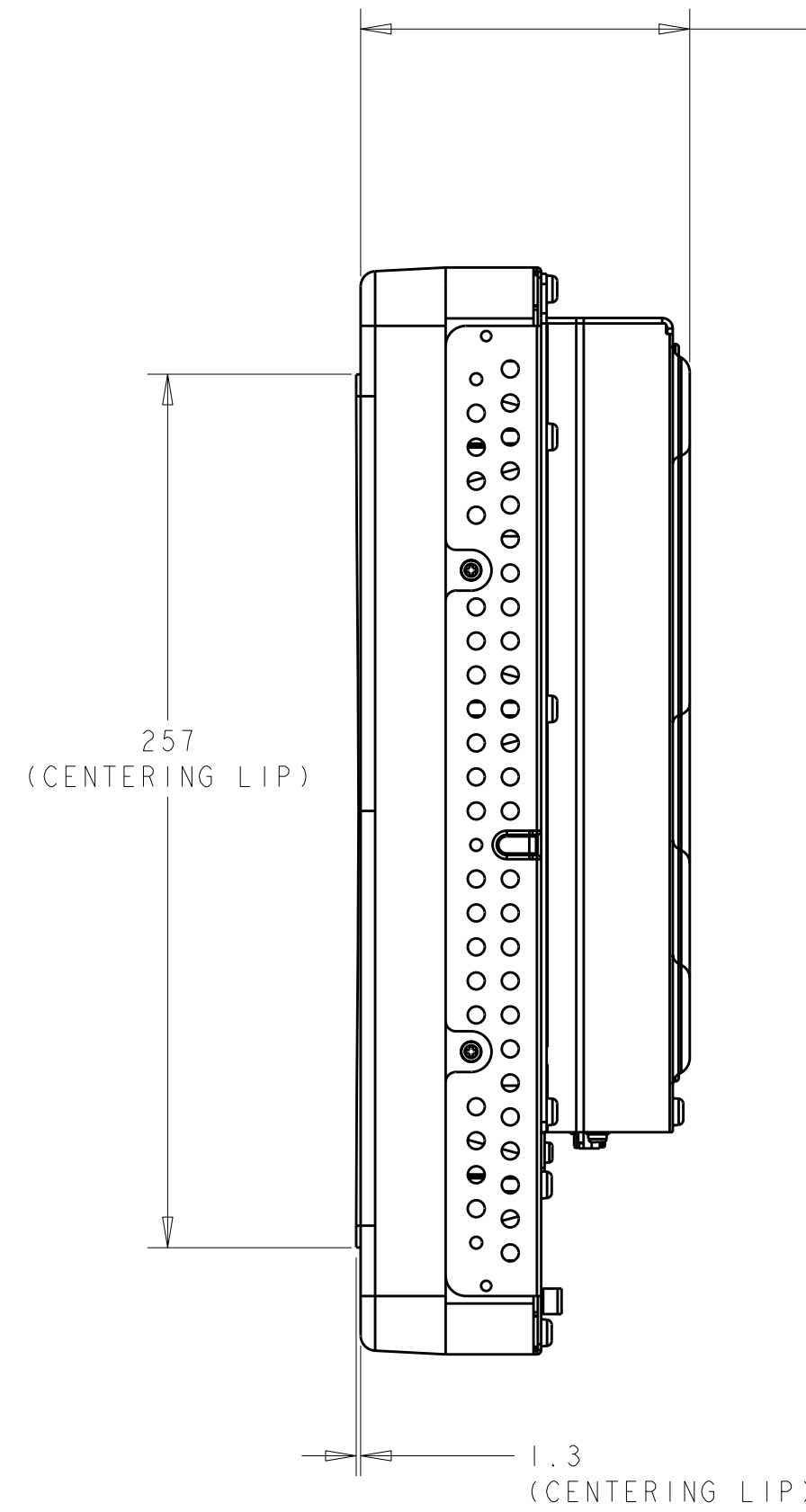
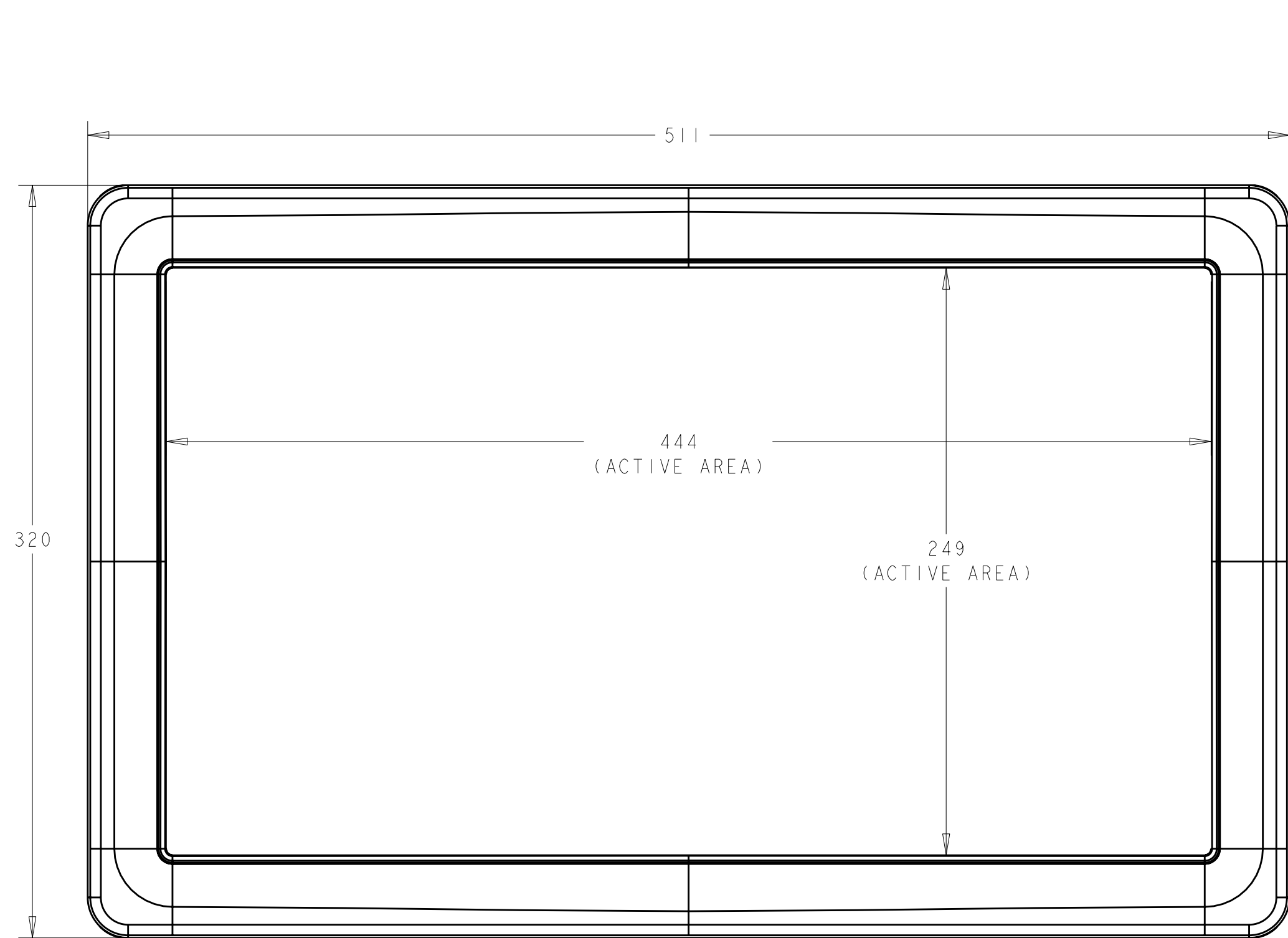
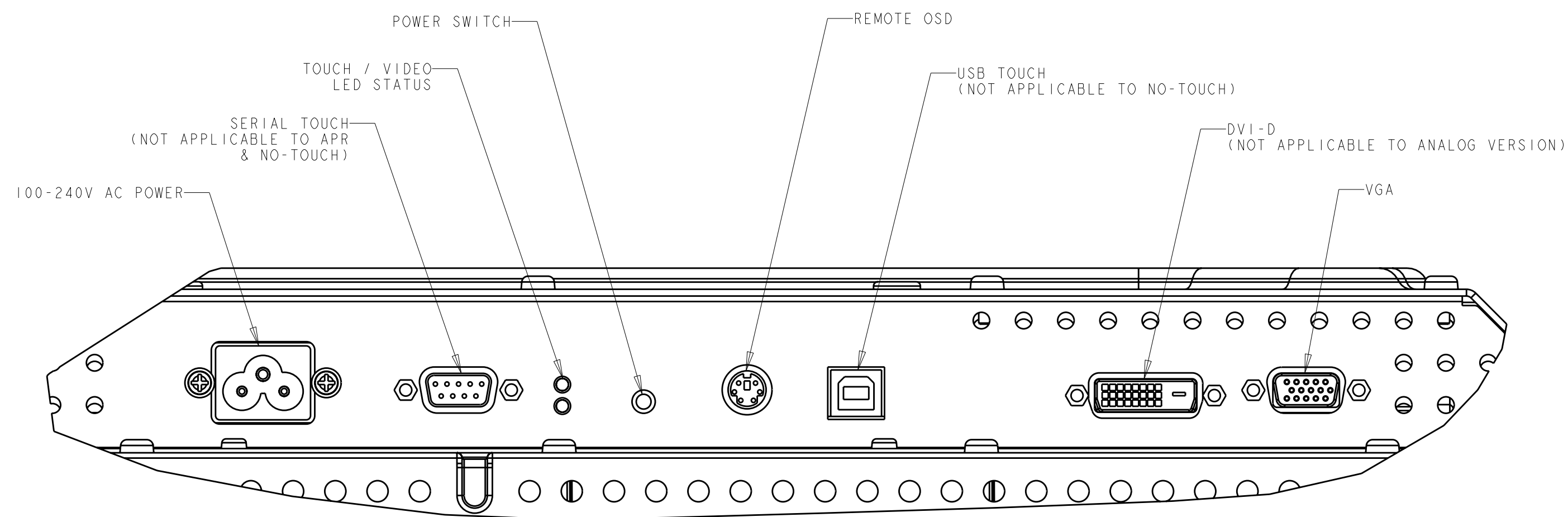
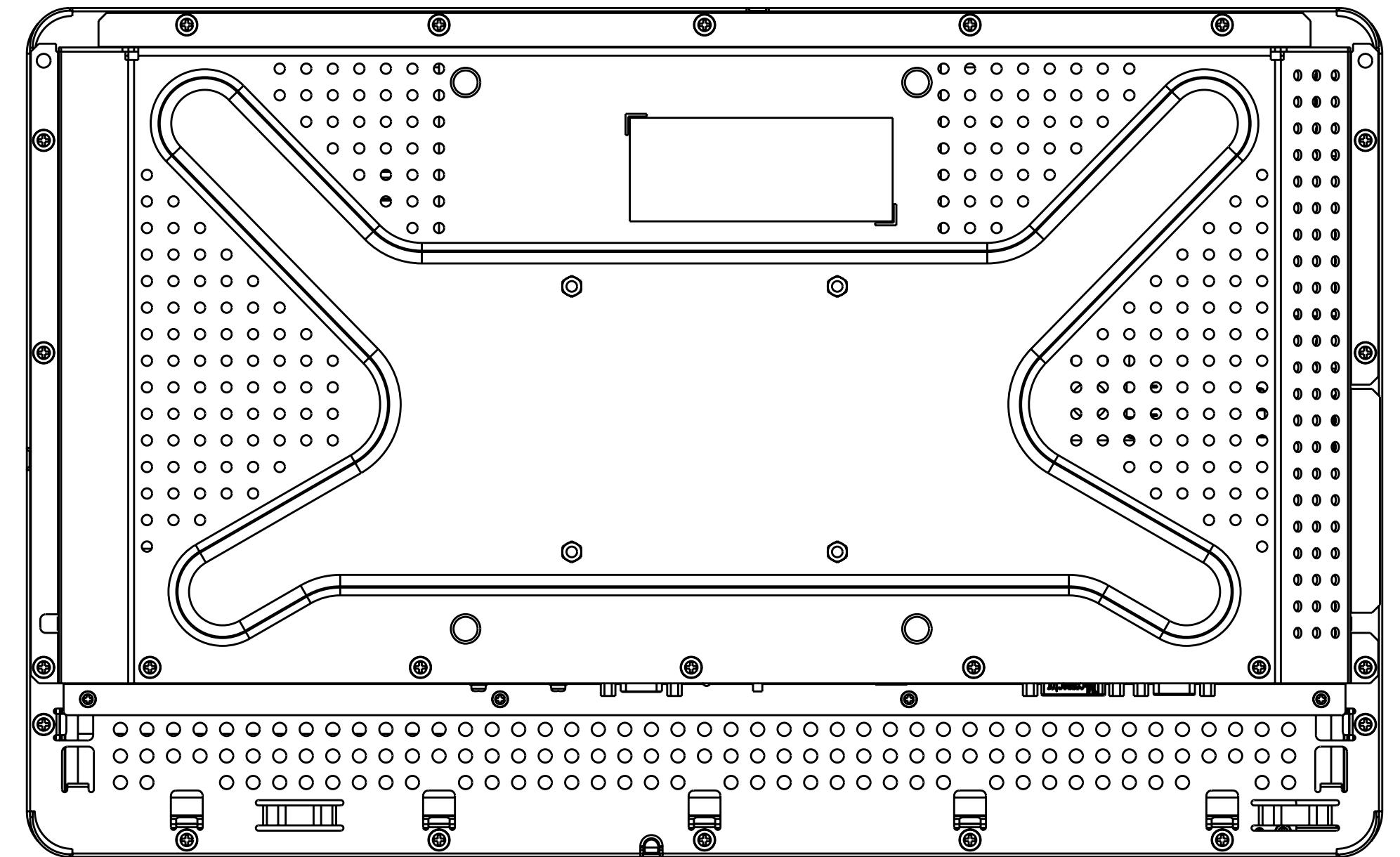


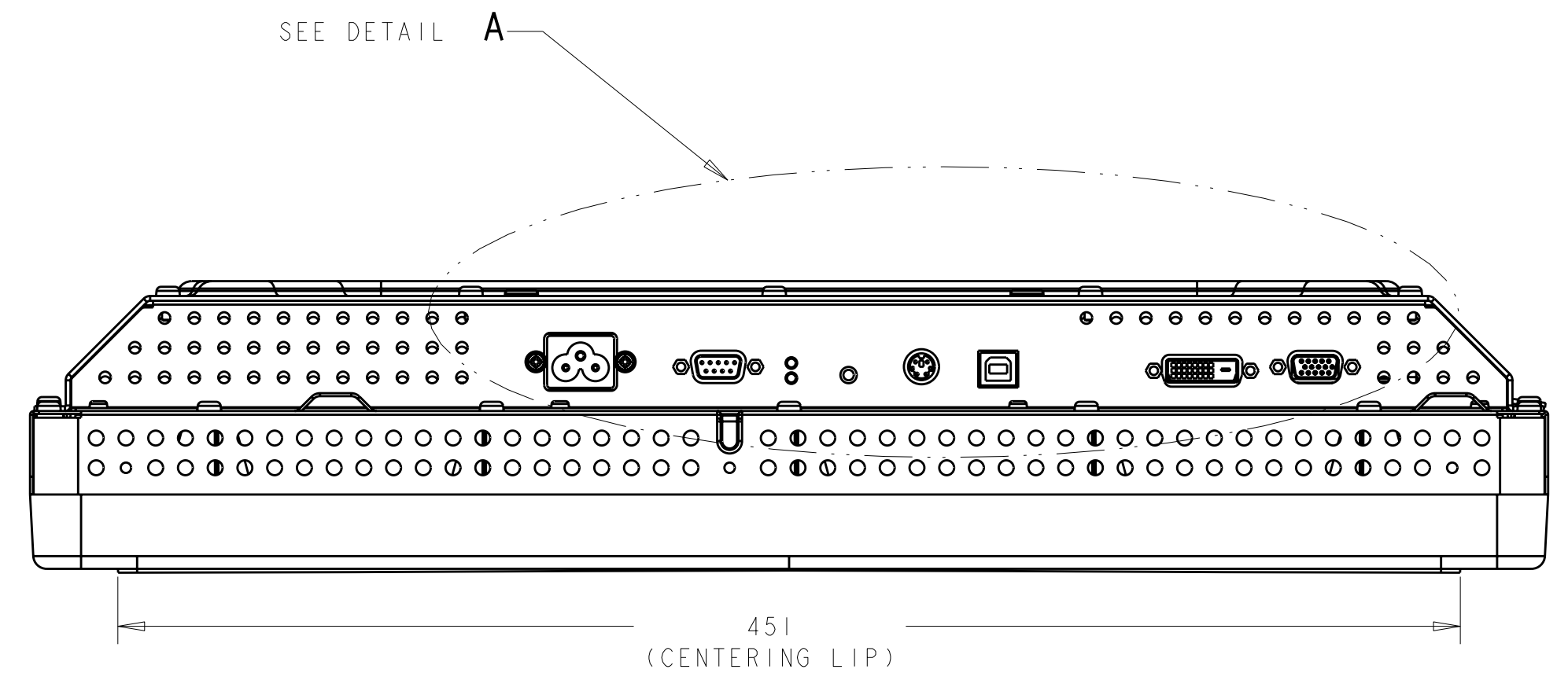
NOTES:  
 1. ALL DIMENSIONS ARE +/- 1.0MM UNLESS NOTED.  
 2. DIMENSIONS SHOWN ARE FOR ALL TOUCH TECHNOLOGIES UNLESS NOTED.



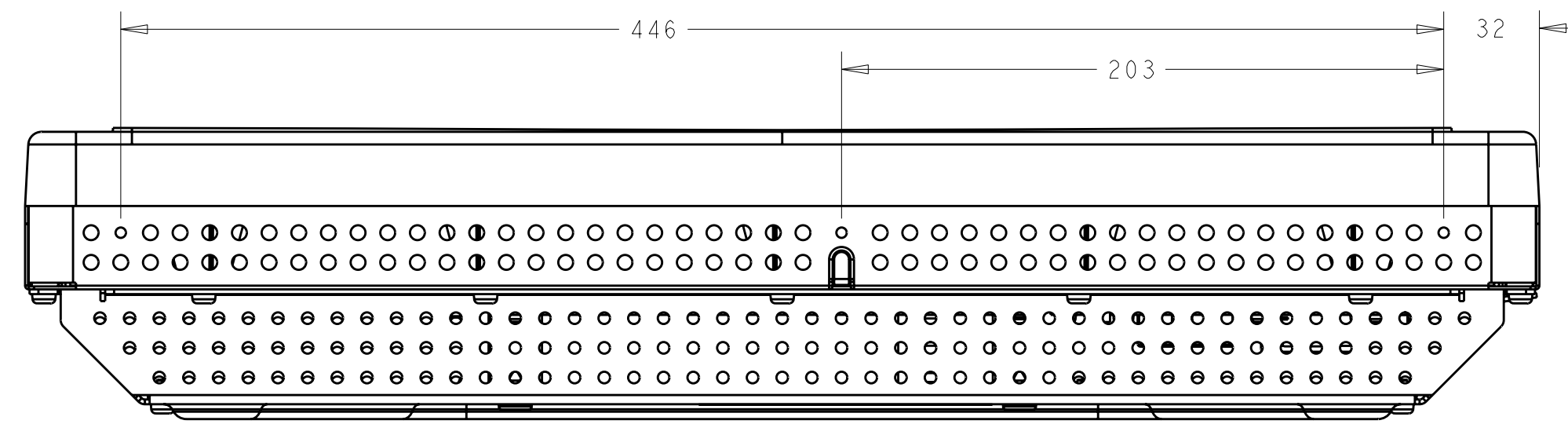
97 (INTELLITOUCH)  
 94 (ACOUSTIC PULSE RECOGNITION, SURFACE CAPACITANCE, & NO-TOUCH)



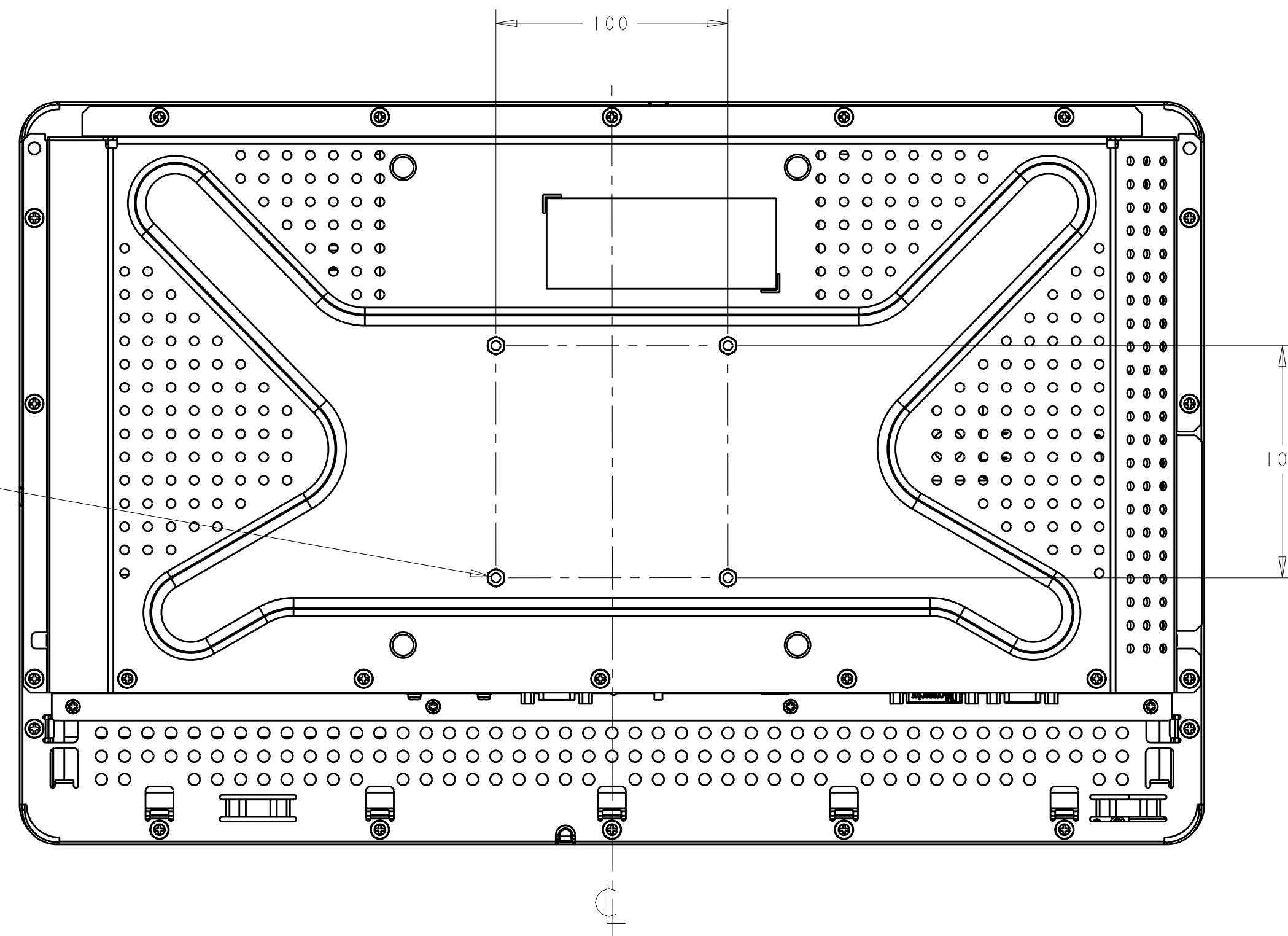
DETAIL A



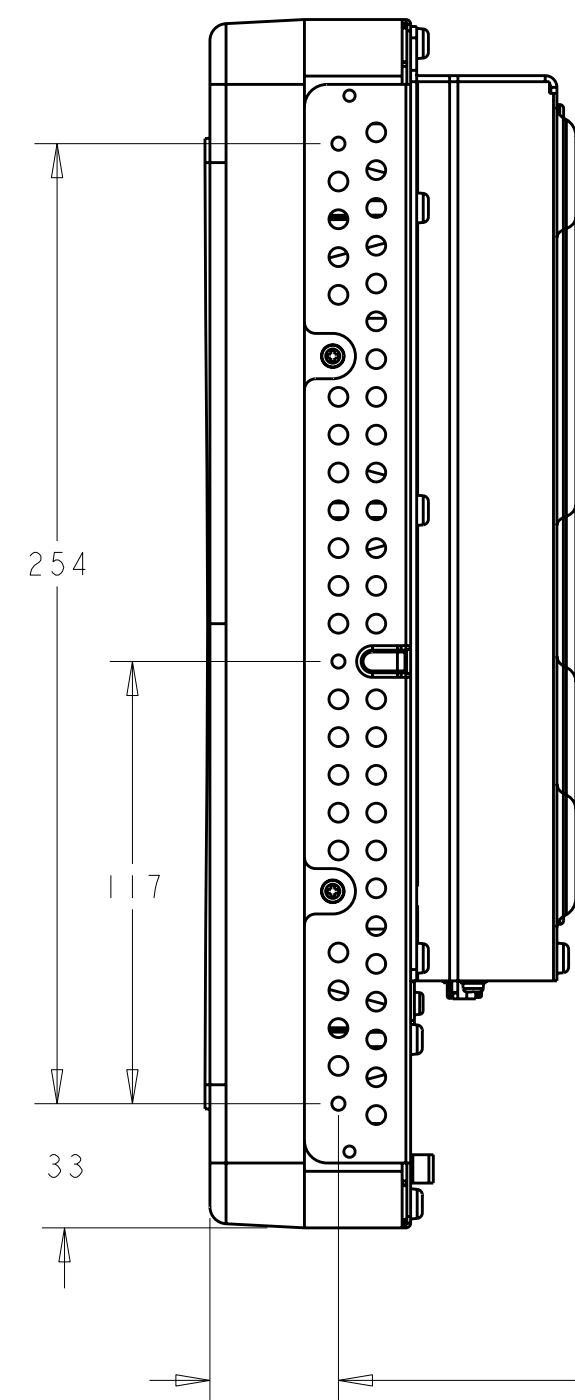
SIDE MOUNT, HORIZONTAL



VESA MIS D 100

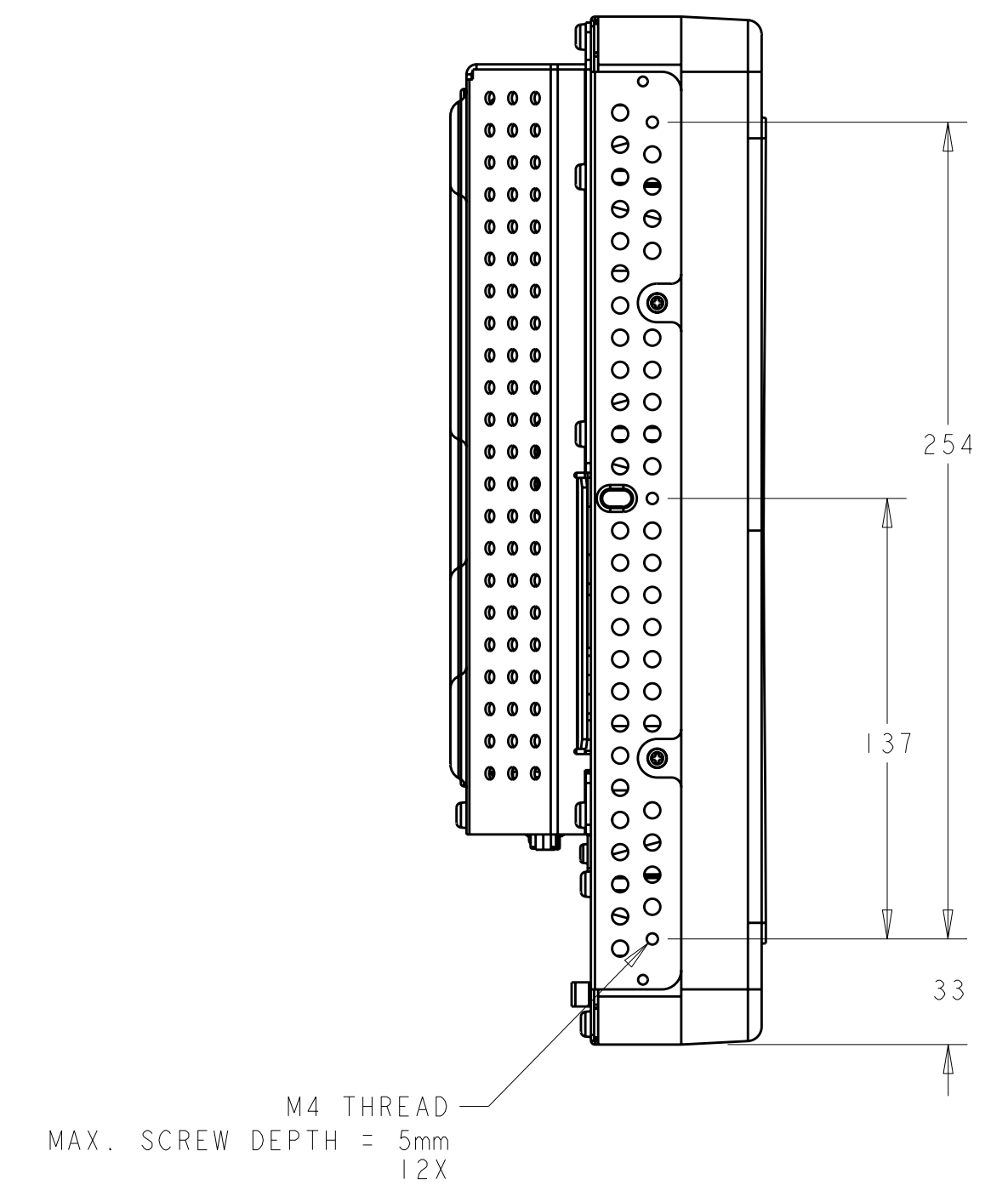


SIDE MOUNT, VERTICAL

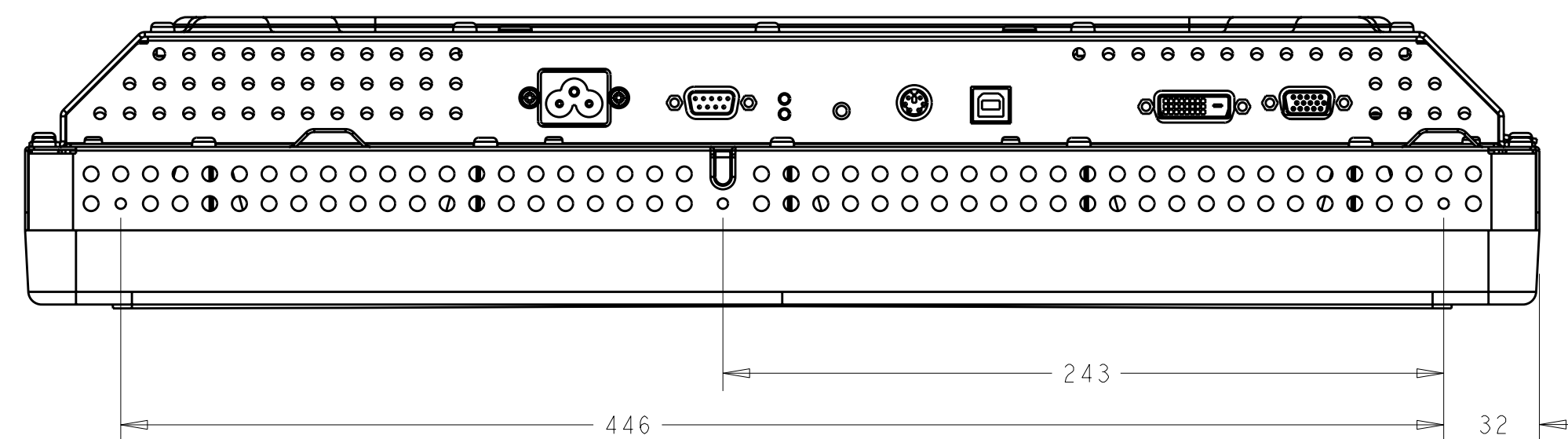


34.0 (INTELLITOUCH)  
30.8 (ACOUSTIC PULSE RECOGNITION,  
SURFACE CAPACITANCE, &  
NO-TOUCH)

SIDE MOUNT, VERTICAL



SIDE MOUNT, HORIZONTAL

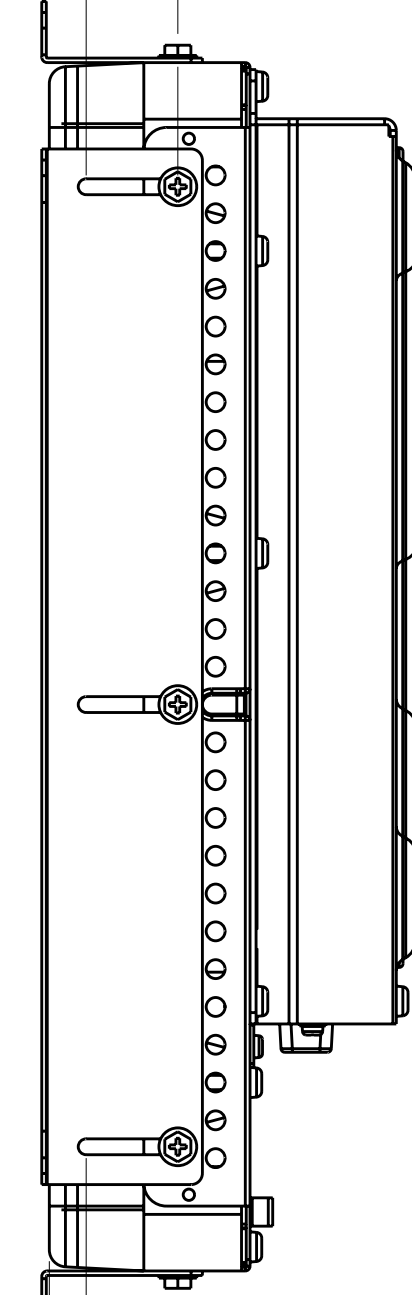
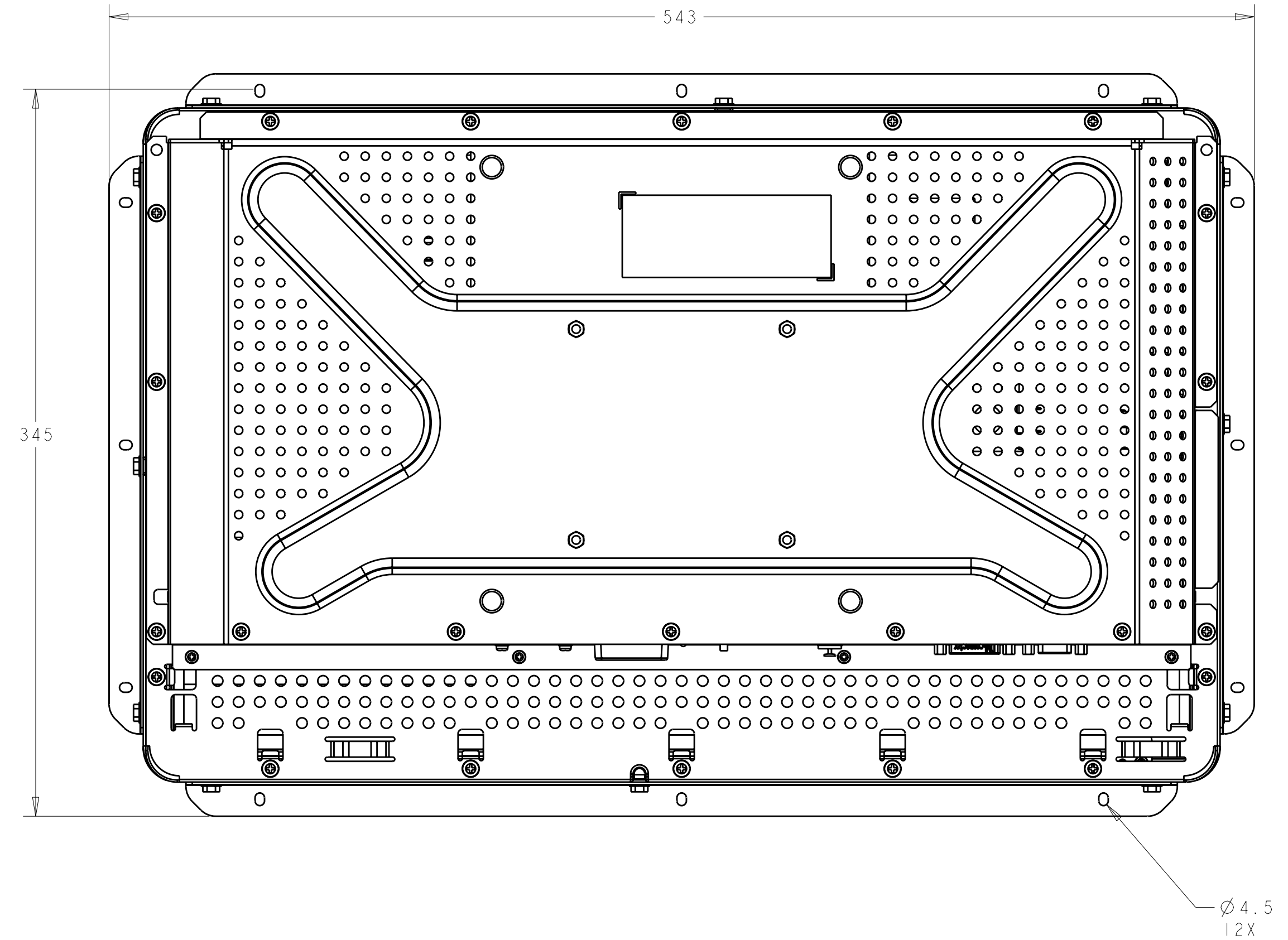


NOTE A  
CUSTOMER PANEL MATERIAL:

1. WOOD: 4.5 HOLES THRU FOR M4 SCREWS W/NUTS, OR, NO THRU HOLES, SCREWS FOR WOOD 4mm.
2. SHEET METAL: CONCEALED HEAD THREADED STUDS M4 W/NUTS.

24.3 MOUNTING BRACKETS  
ADJUSTMENT RANGE

REAR MOUNT WITH BRACKETS,  
HORIZONTAL AND VERTICAL

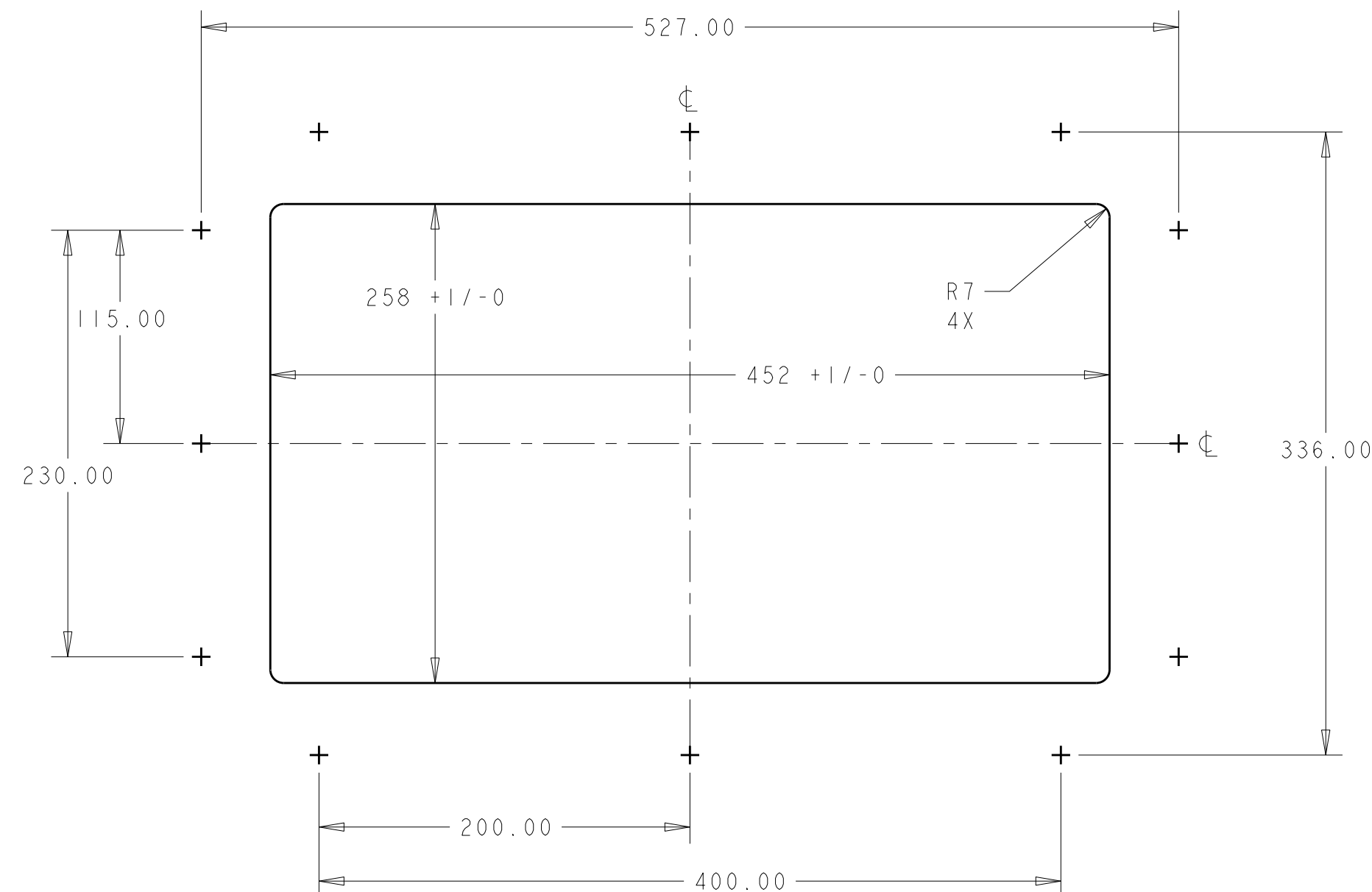


2.0 (INTELLITOUCH)  
5.2 (ACOUSTIC PULSE RECOGNITION,  
SURFACE CAPACITANCE, &  
NO-TOUCH)

9.8 (INTELLITOUCH)  
6.6 (ACOUSTIC PULSE RECOGNITION,  
SURFACE CAPACITANCE, &  
NO-TOUCH)

Ø 4.5  
12X

RECOMMENDED CUSTOMER  
PANEL CUT-OUT (SEE NOTE A)



DIMENSIONS ARE IN MILLIMETERS