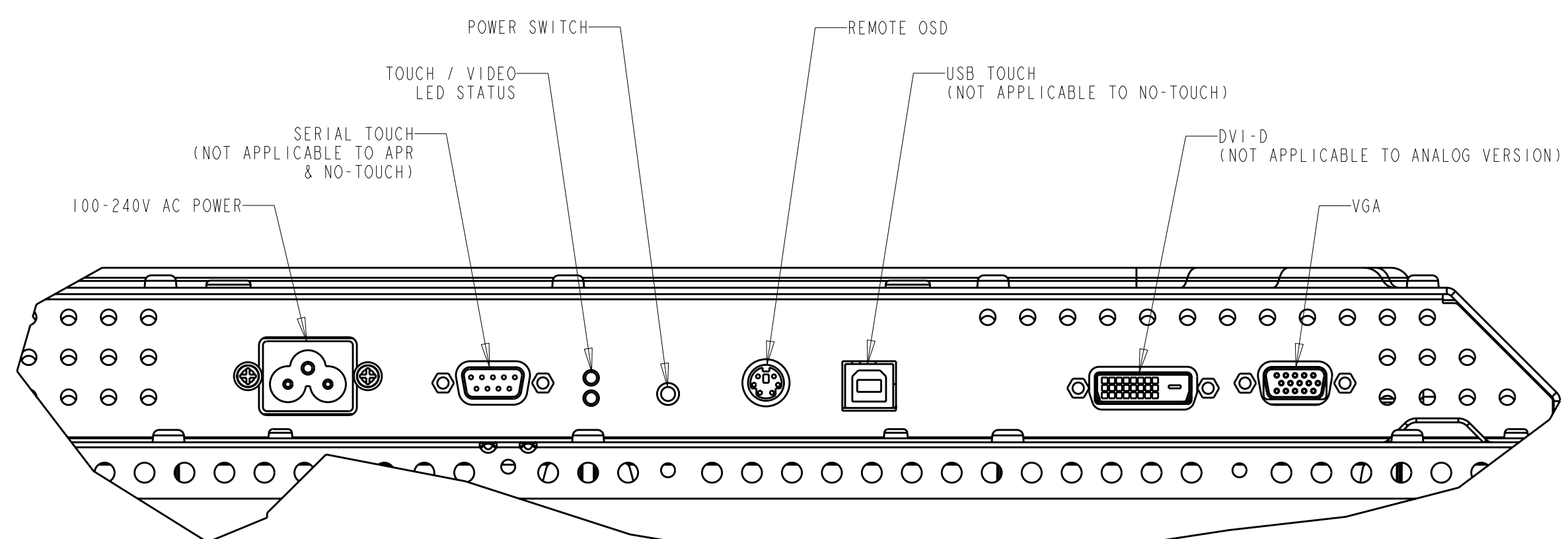
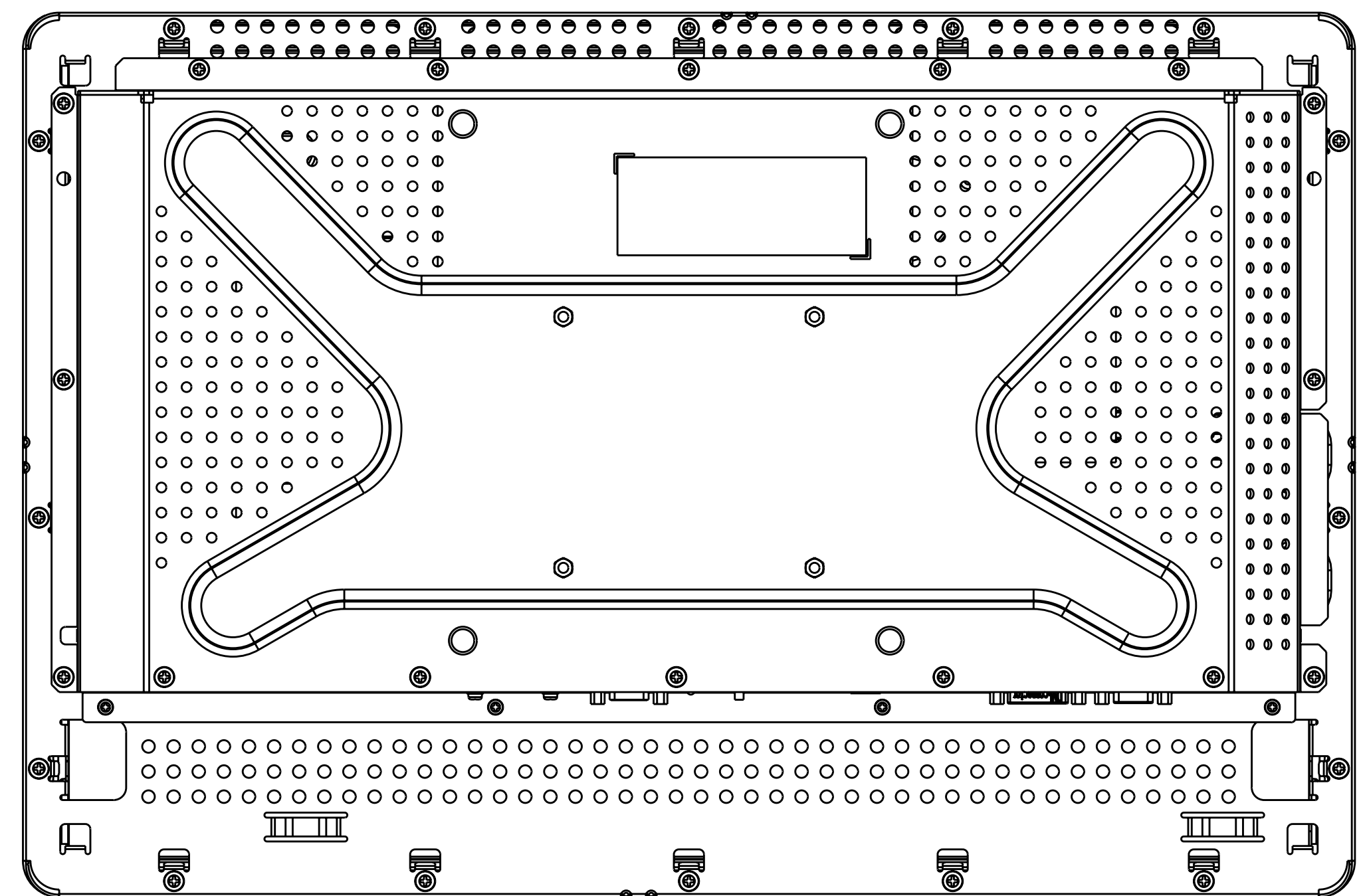
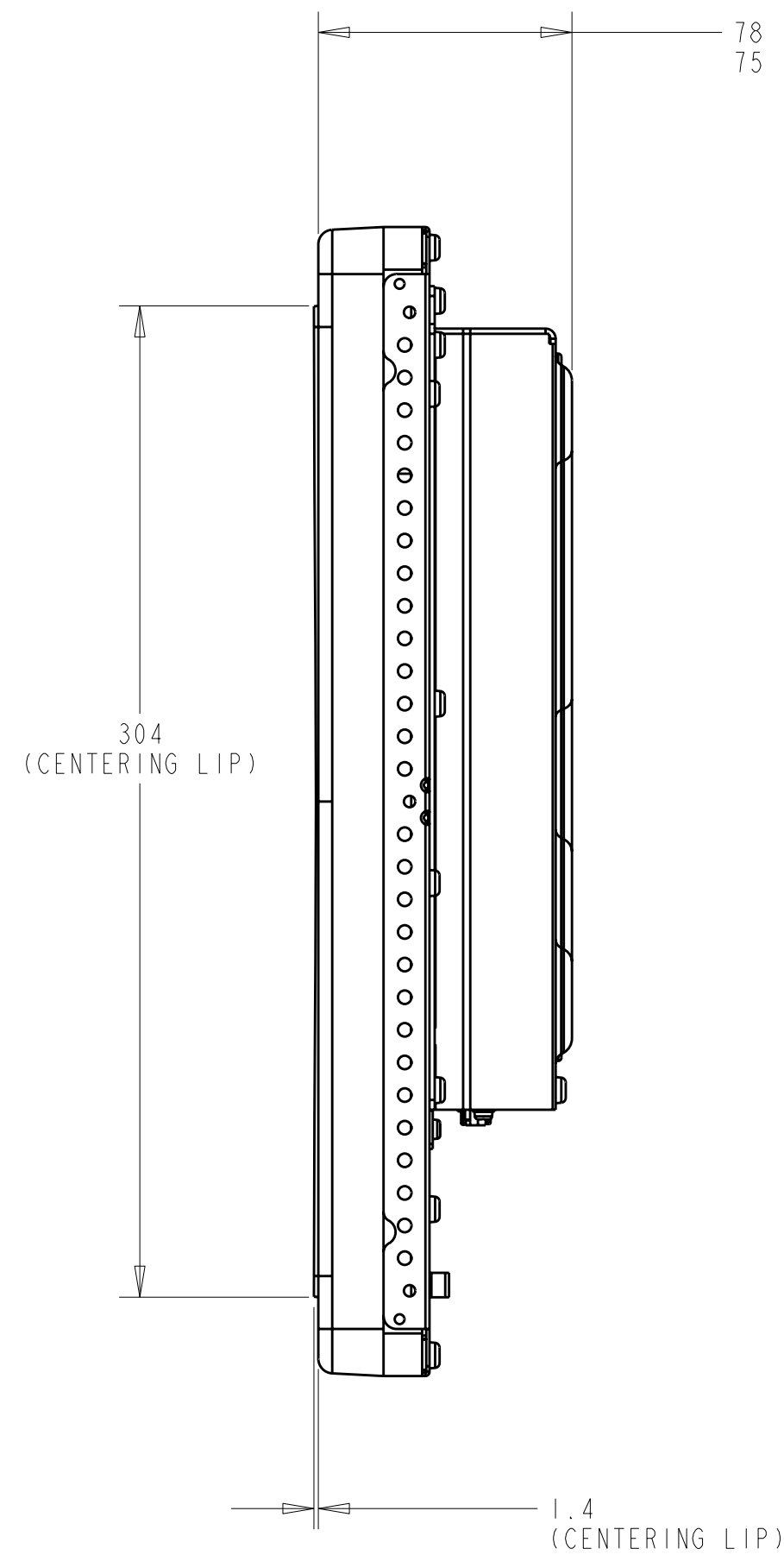
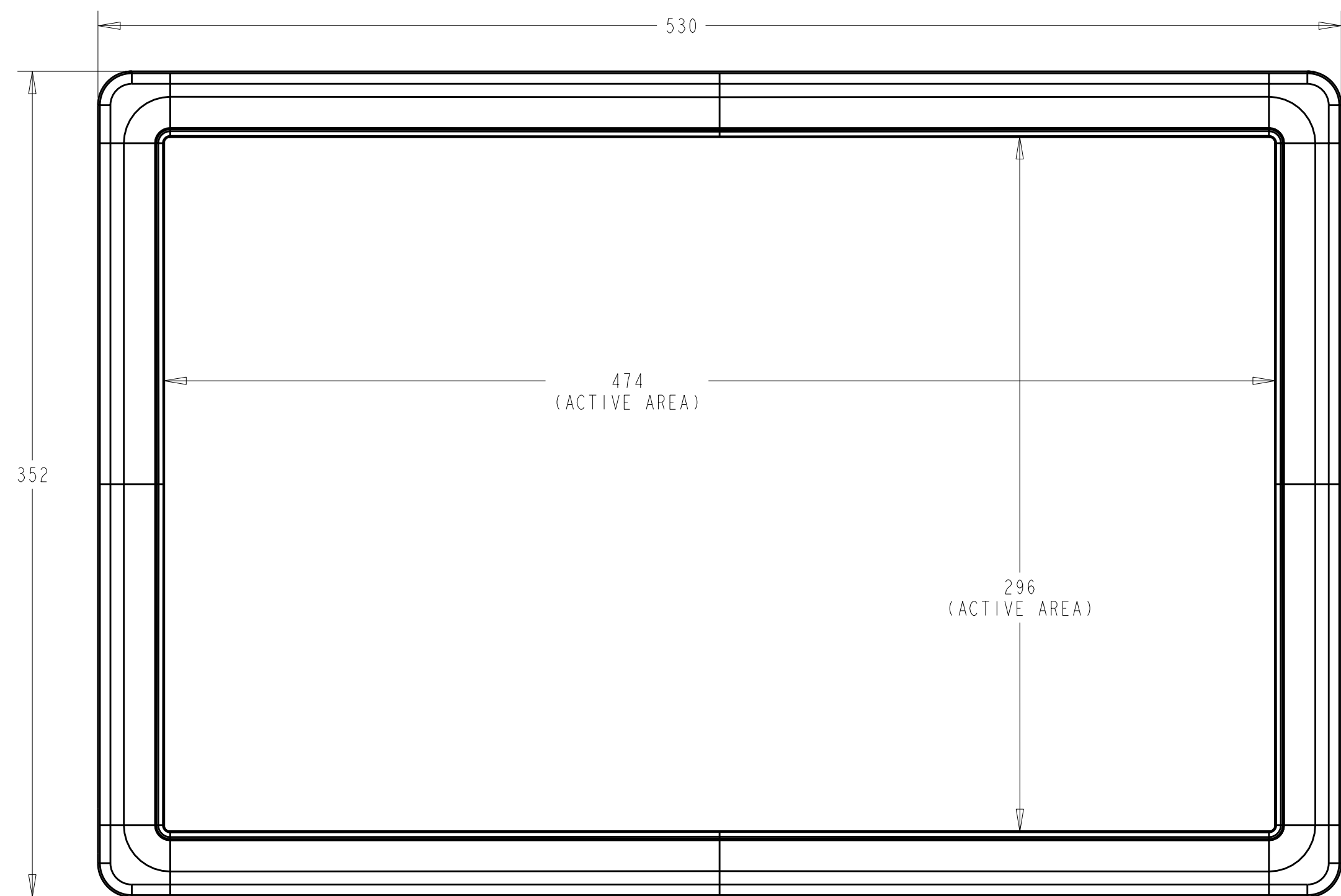
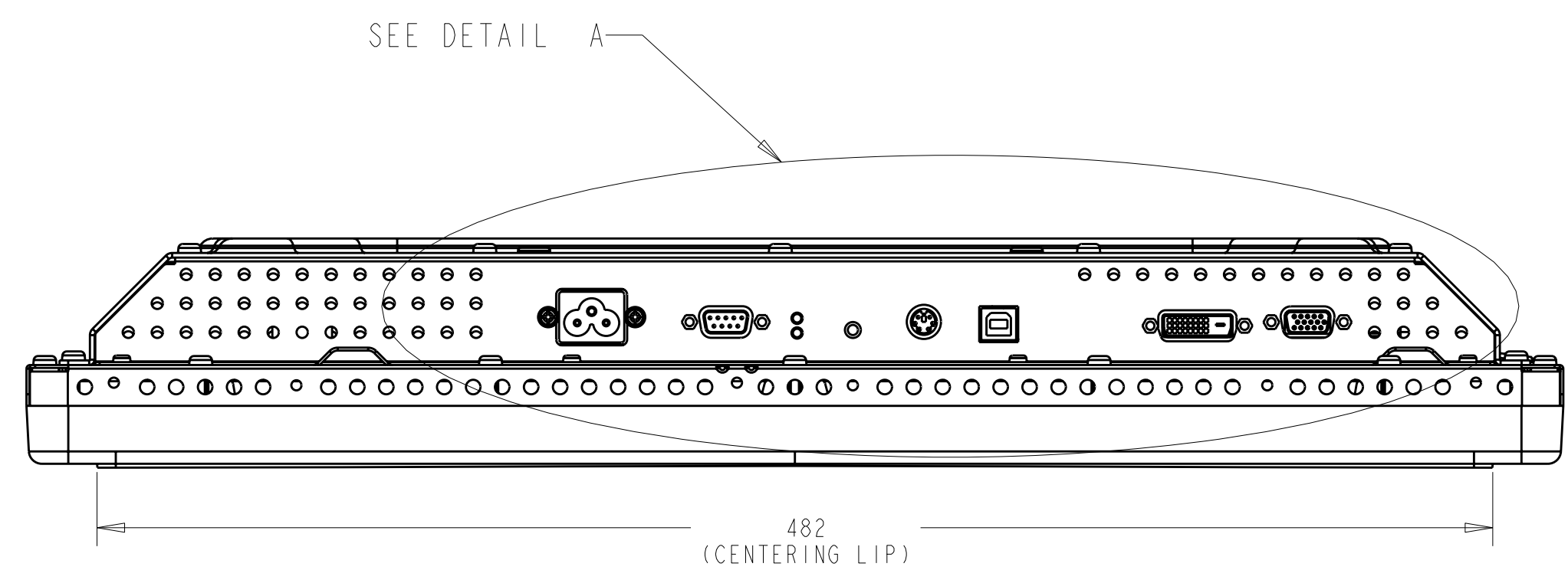


NOTES:

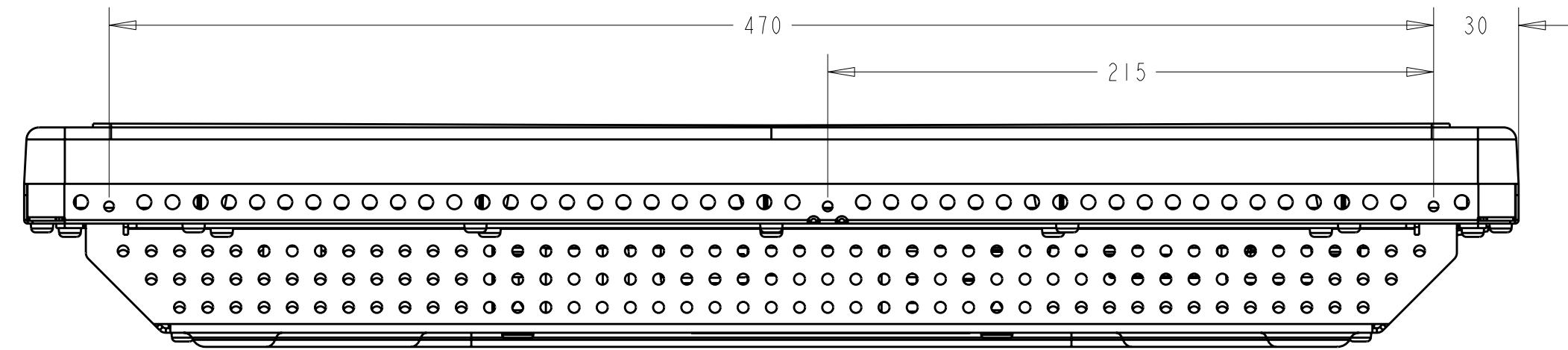
1. ALL DIMENSIONS ARE +/- 1.0MM UNLESS NOTED.
2. DIMENSIONS SHOWN ARE FOR ALL TOUCH TECHNOLOGIES UNLESS NOTED.



DETAIL A

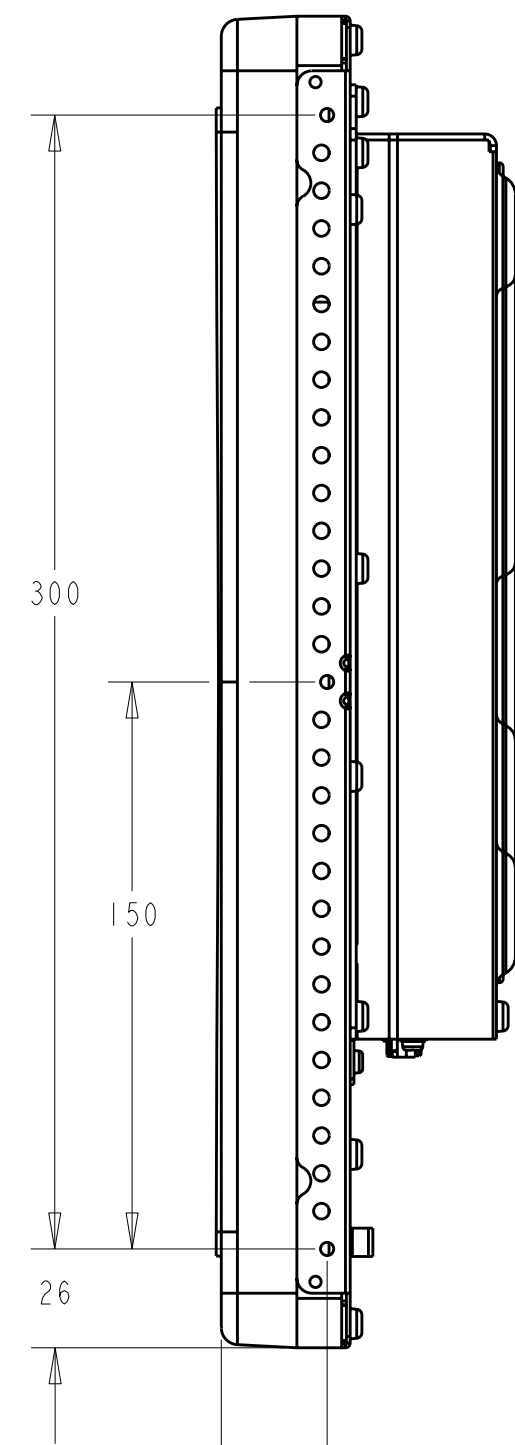


SIDE MOUNT, HORIZONTAL



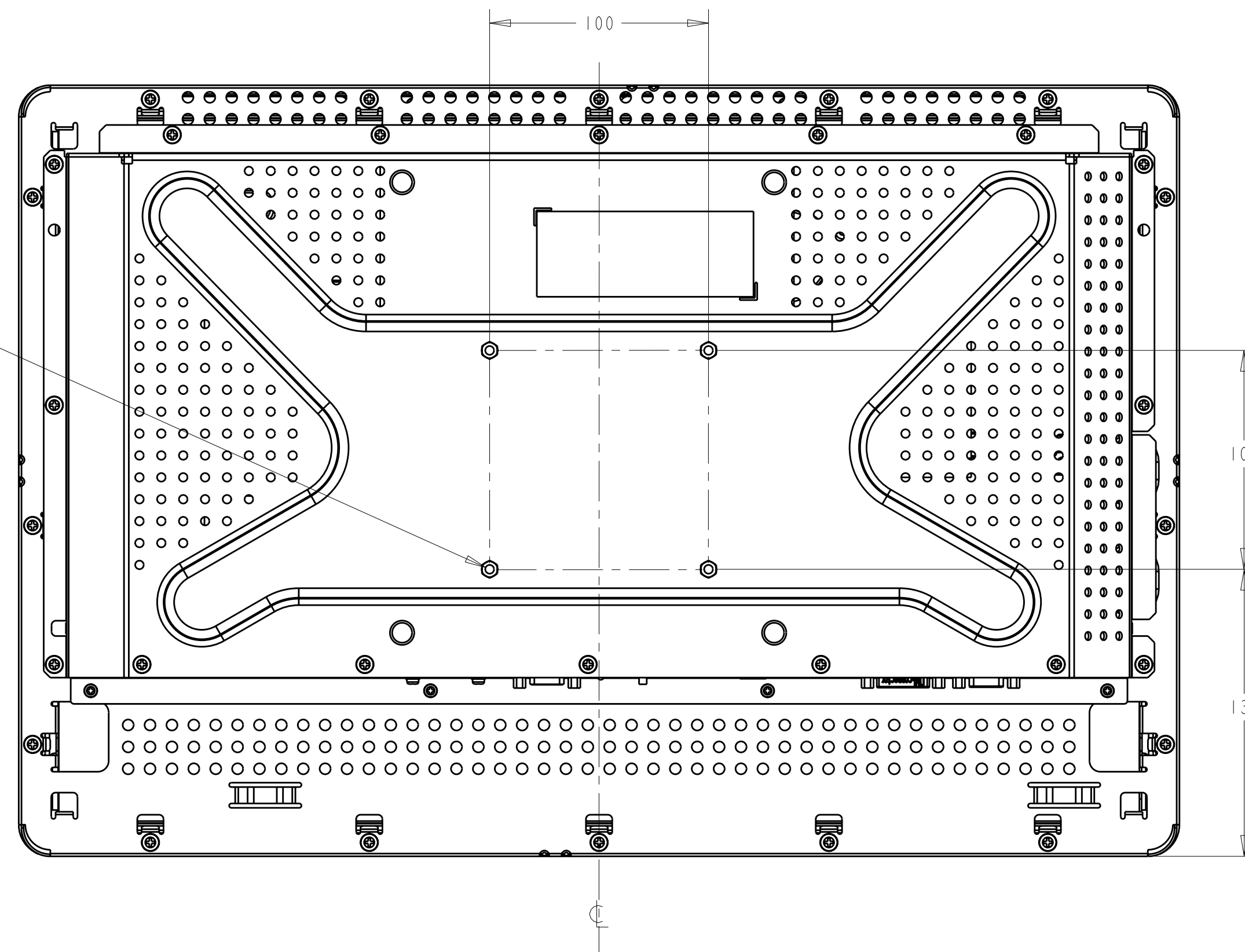
VESA MIS D 100

SIDE MOUNT, VERTICAL

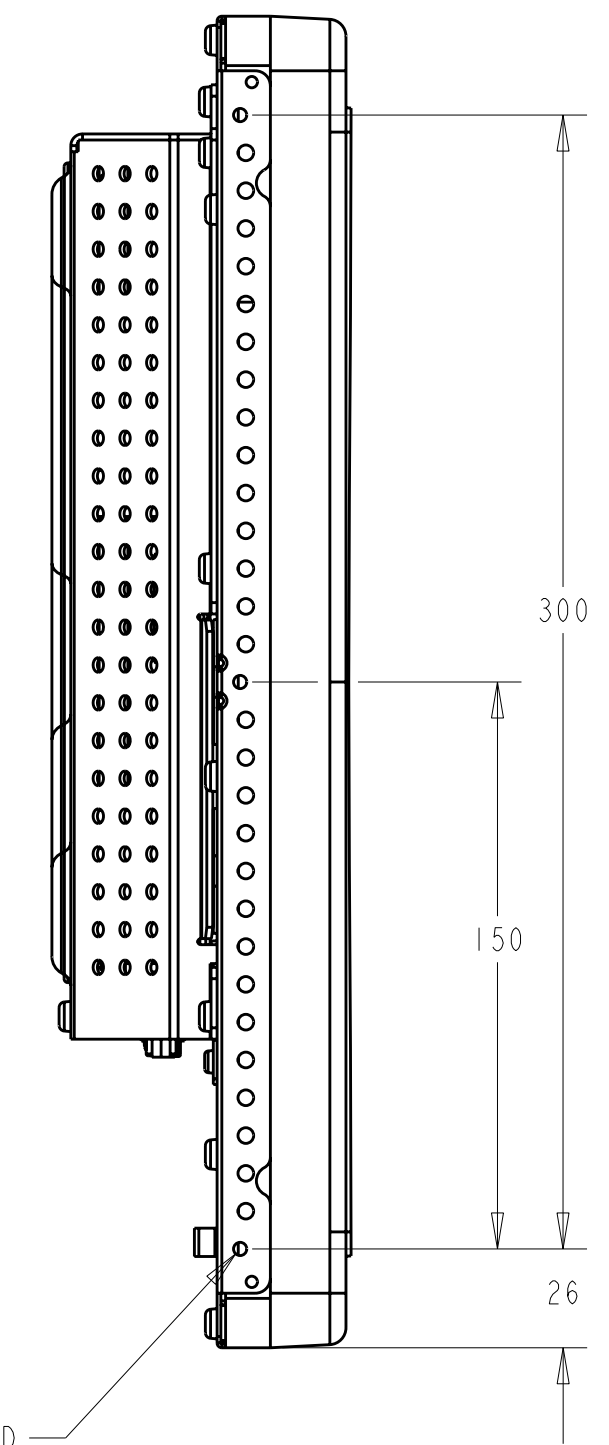


28.0 (INTELLITOUCH)
24.8 (ACOUSTIC PULSE RECOGNITION,
SURFACE CAPACITANCE, &
NO-TOUCH)

M4 THREAD
MAX SCREW DEPTH = 9mm
4X

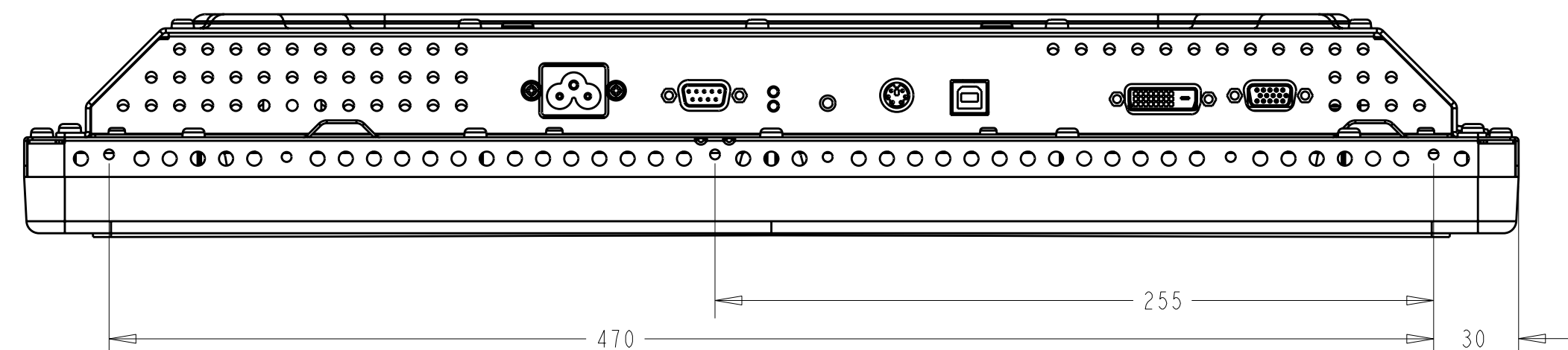


SIDE MOUNT, VERTICAL



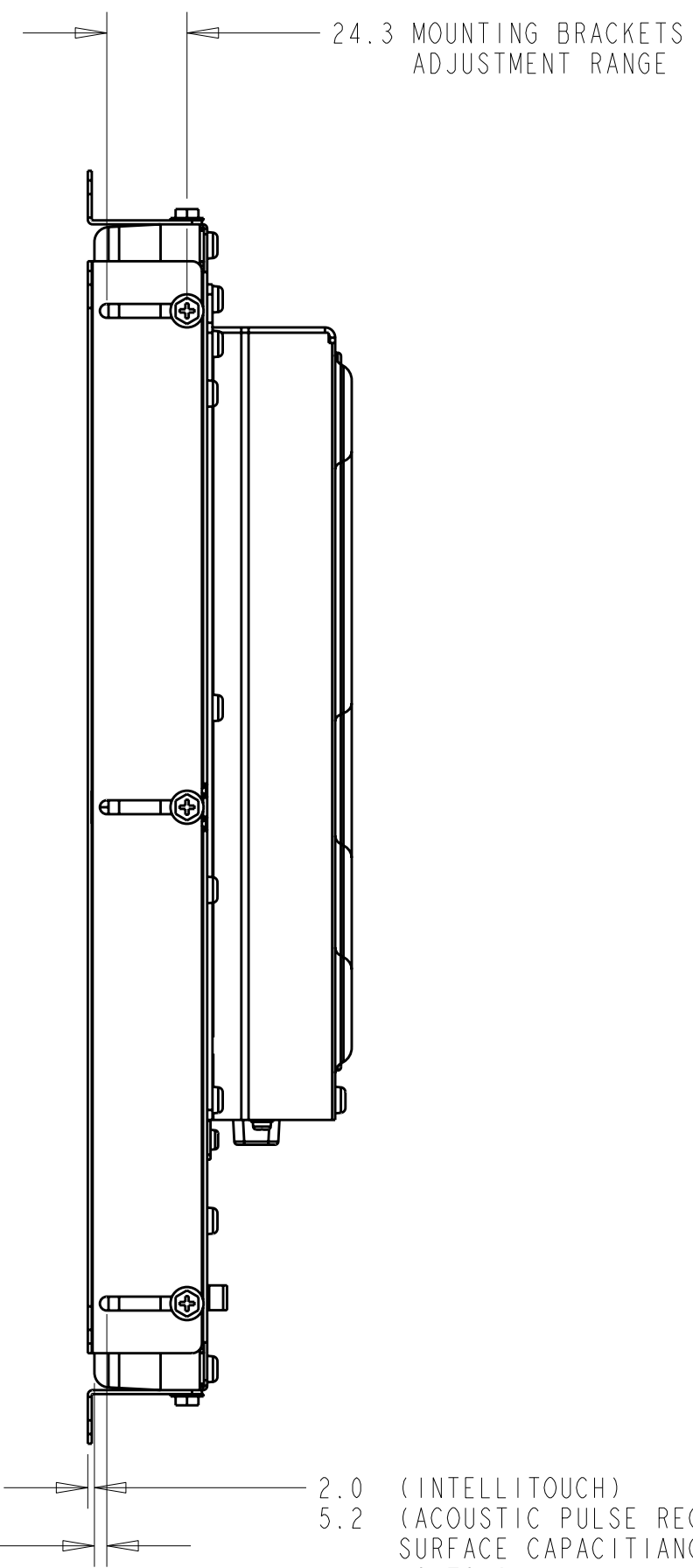
M4 THREAD
MAX. SCREW DEPTH = 5mm
12X

SIDE MOUNT, HORIZONTAL

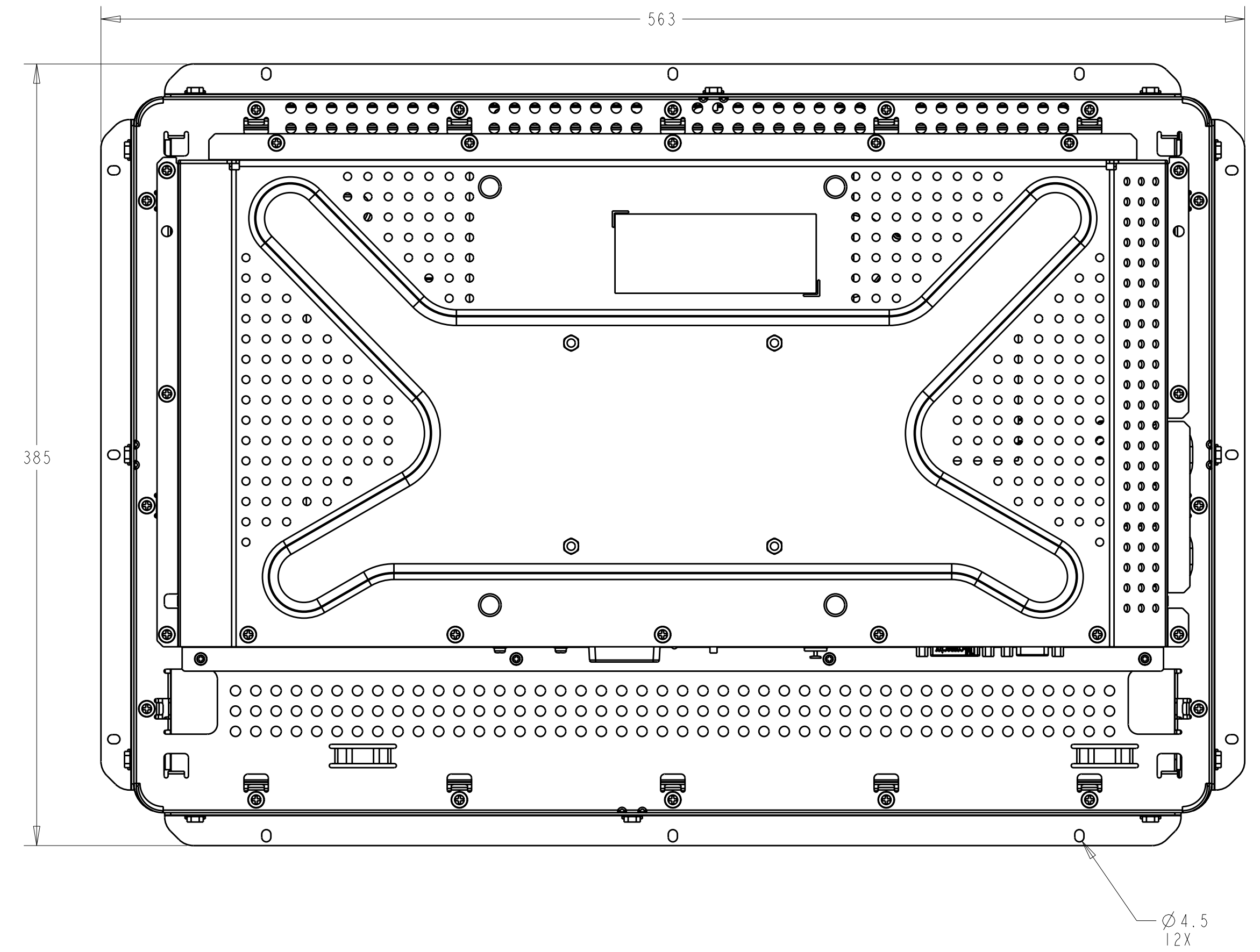


NOTE A
CUSTOMER PANEL MATERIAL:

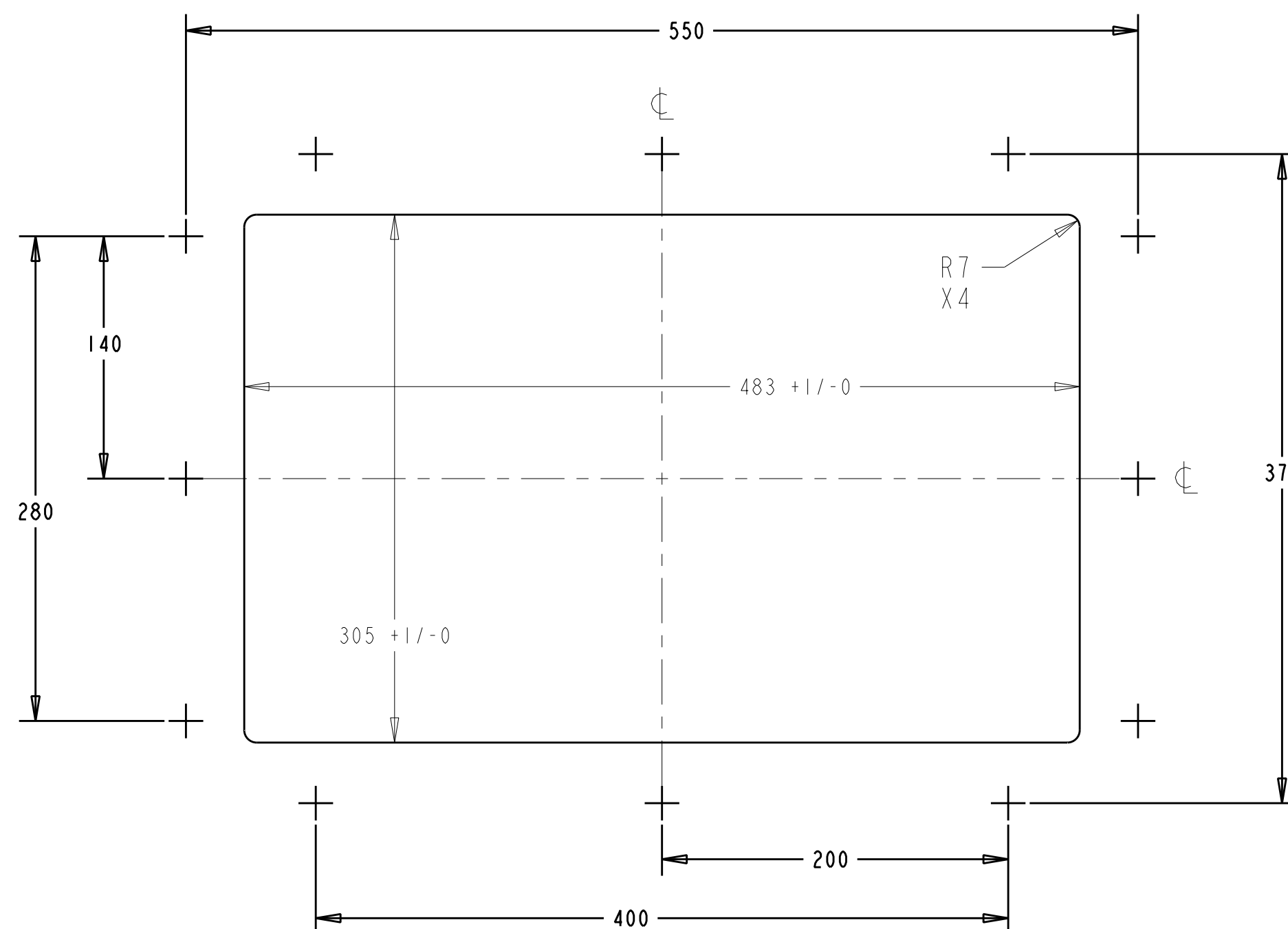
1. WOOD: 4.5 HOLES THRU FOR M4 SCREWS W/NUTS, OR, NO THRU HOLES, SCREWS FOR WOOD 4mm.
2. SHEET METAL: CONCEALED HEAD THREADED STUDS M4 W/NUTS.



REAR MOUNT WITH BRACKETS,
HORIZONTAL AND VERTICAL



RECOMMENDED CUSTOMER
PANEL CUT-OUT (SEE NOTE A)



DIMENSIONS ARE IN MILLIMETERS