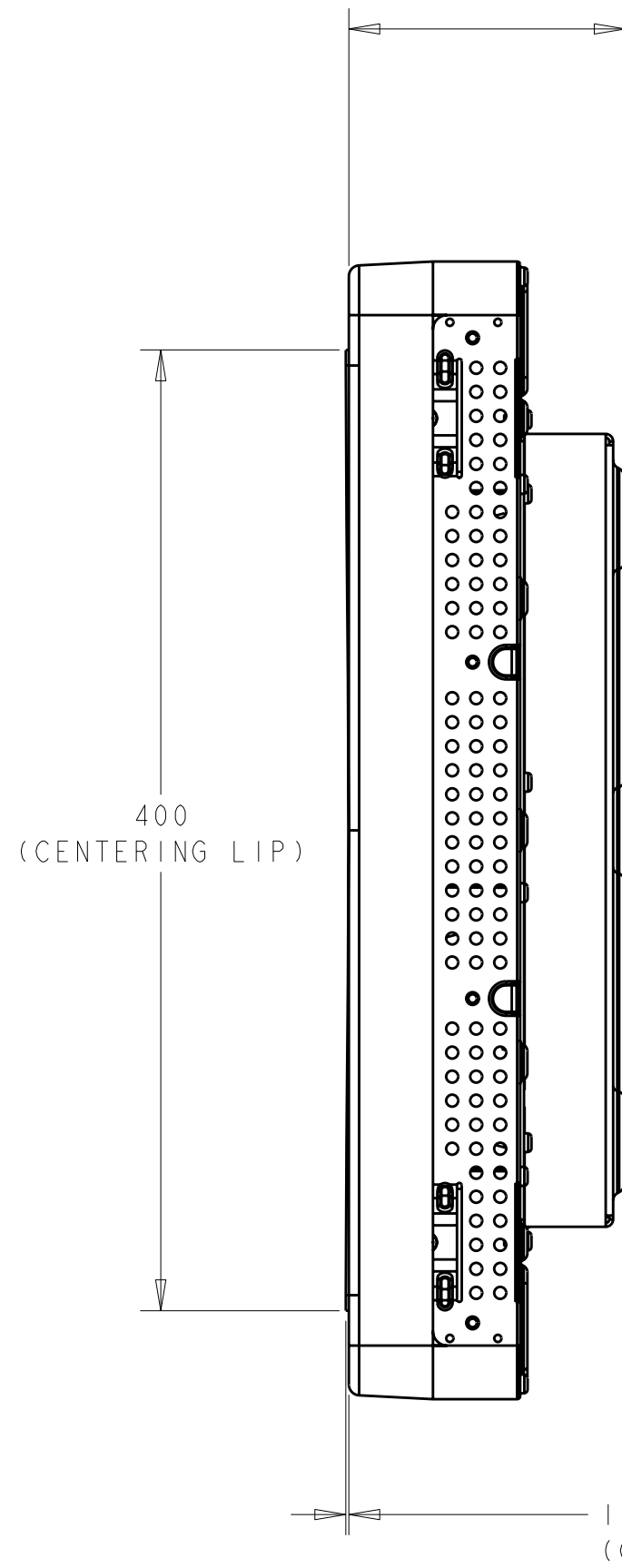
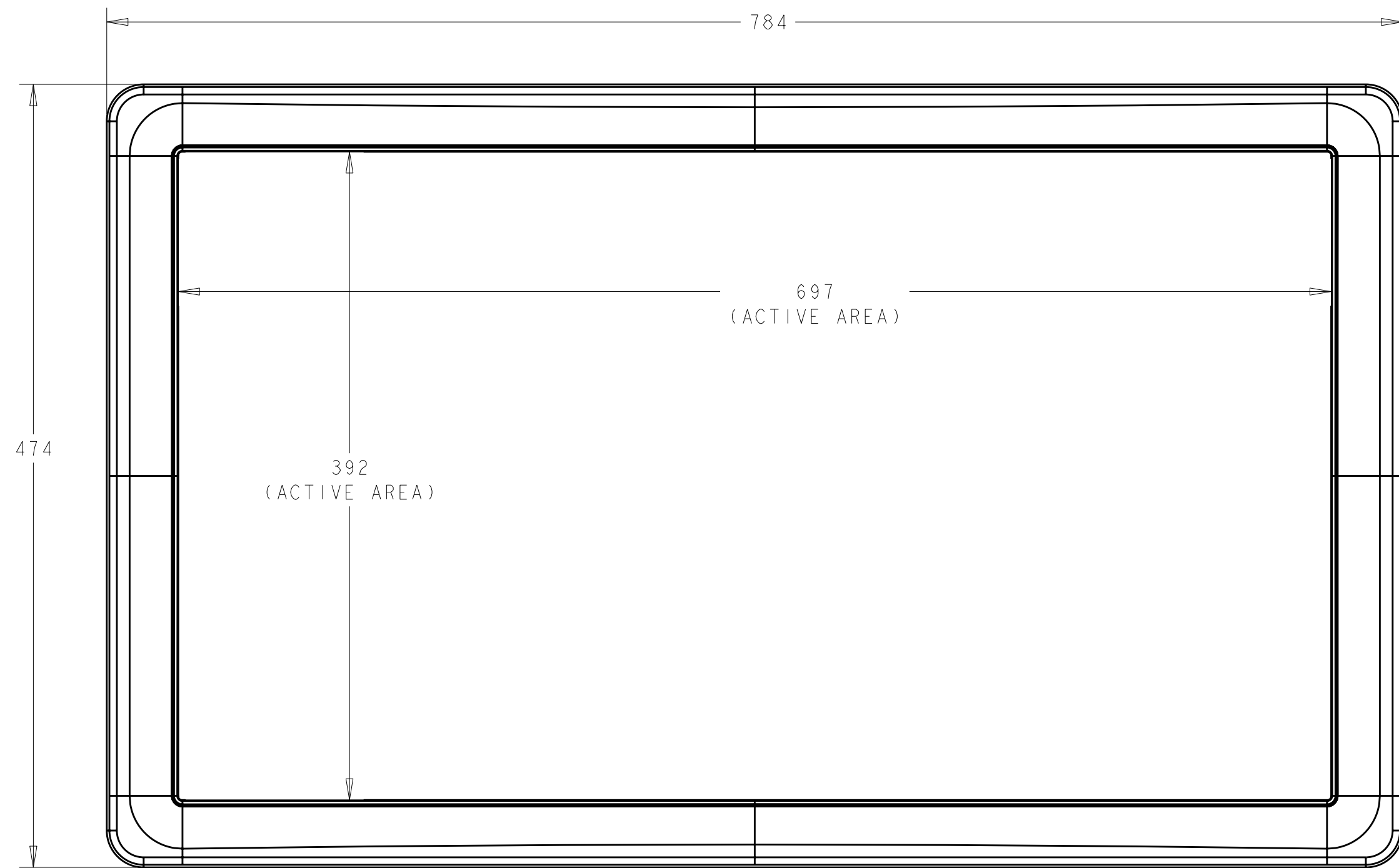
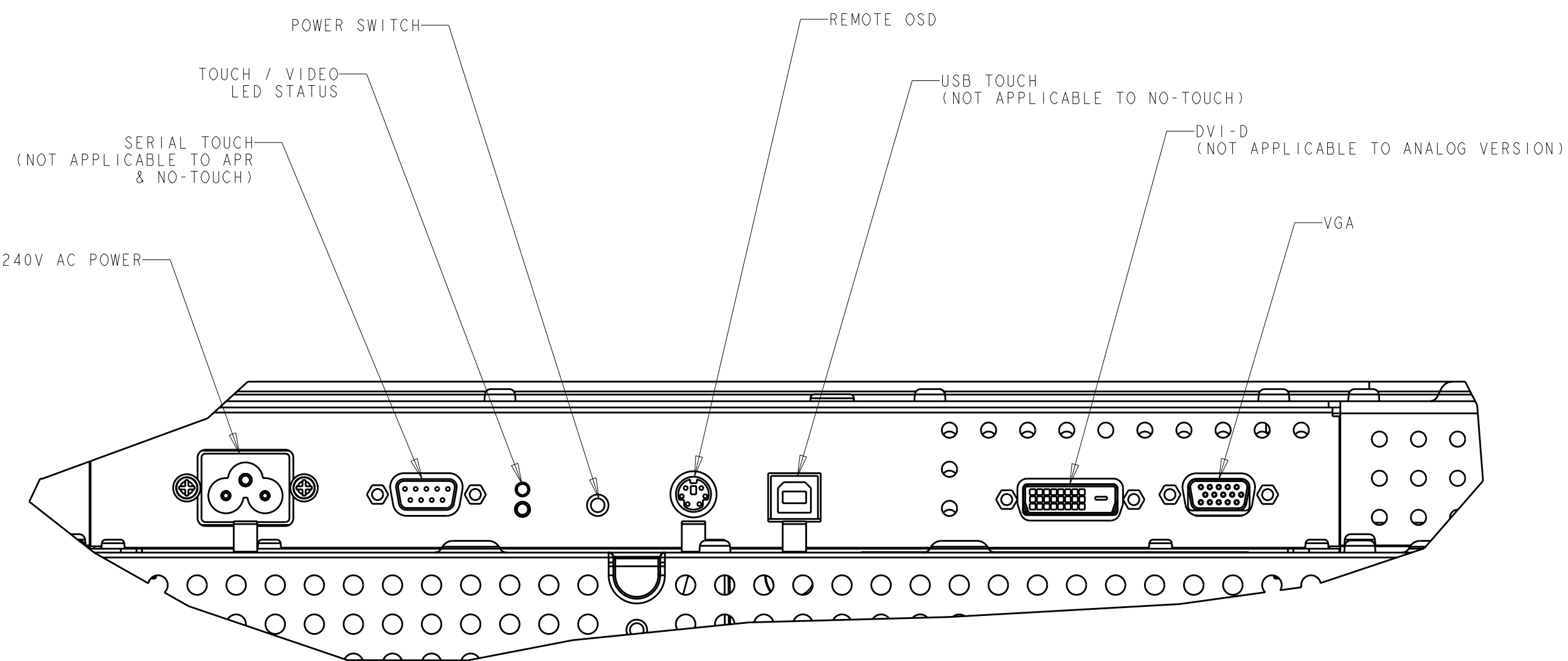
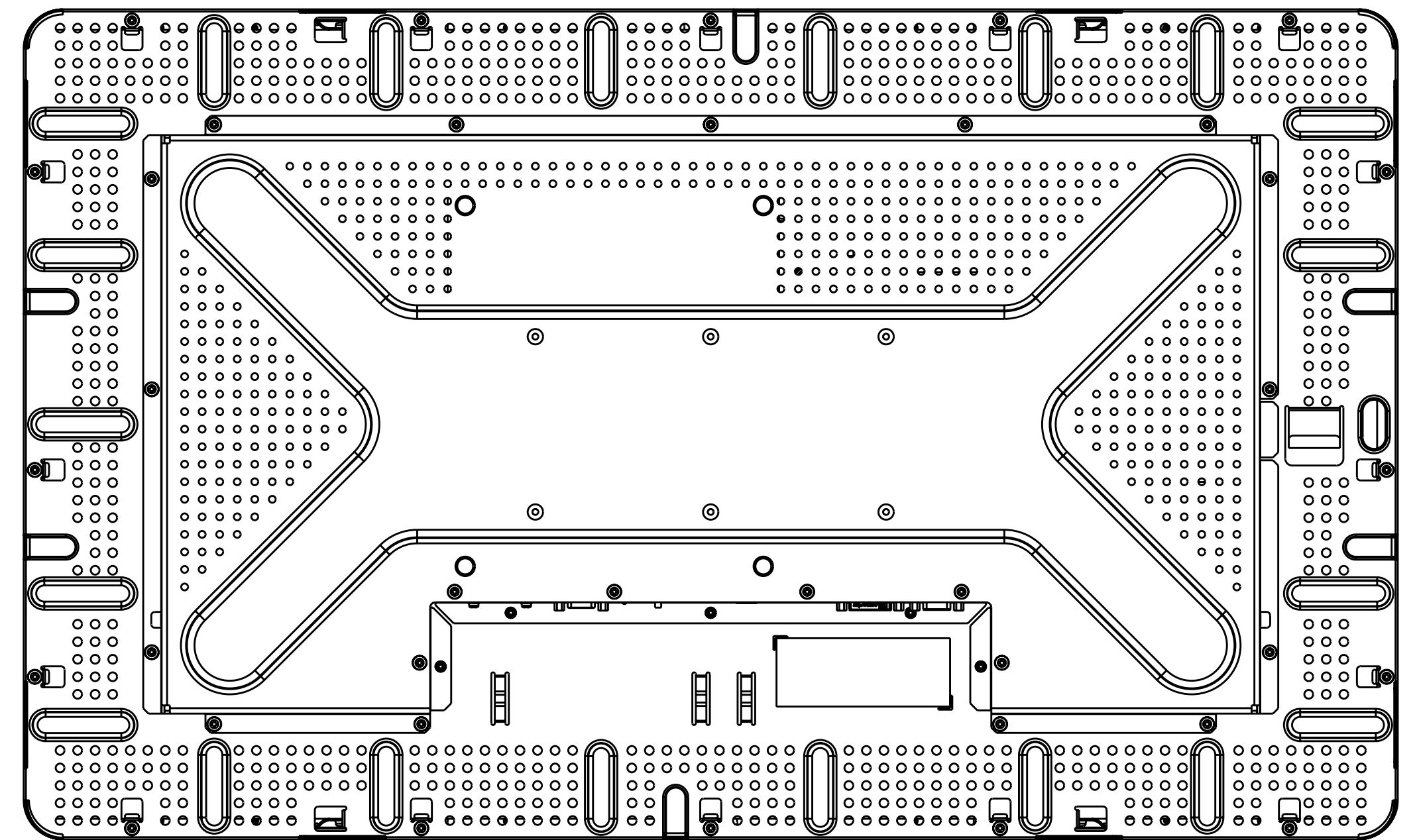


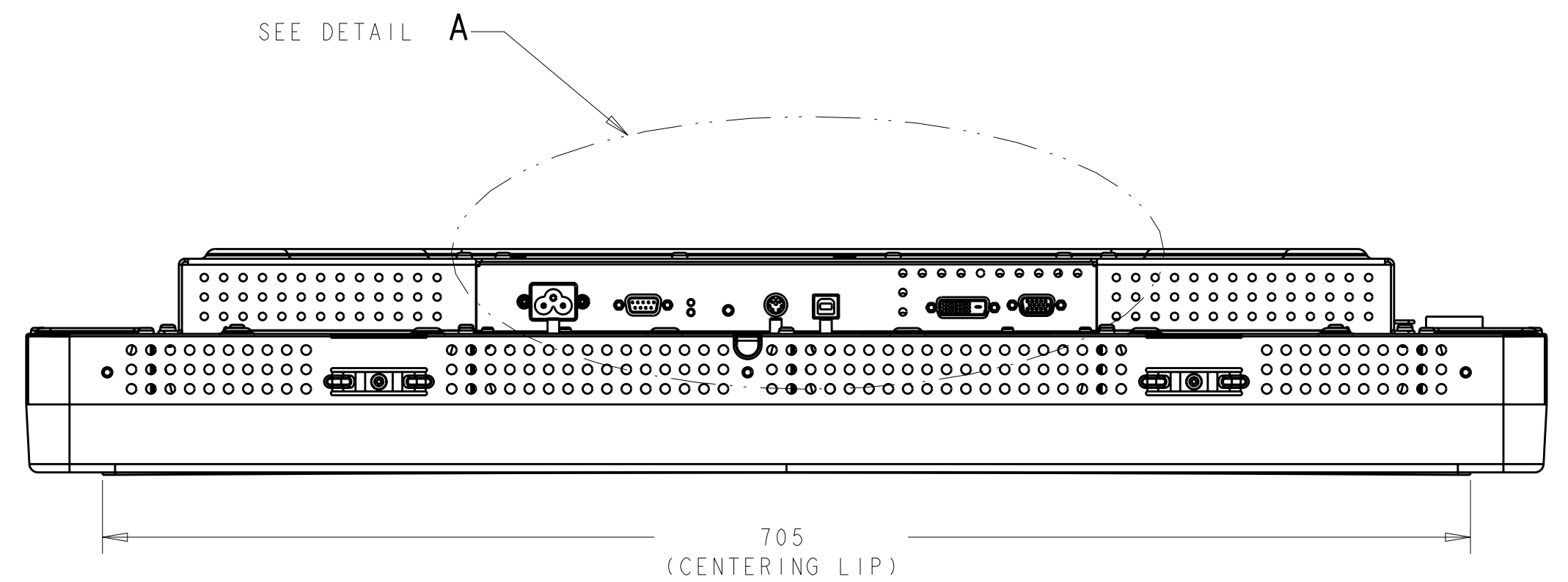
- NOTES:
 1. ALL DIMENSIONS ARE +/- 1.0MM UNLESS NOTED.
 2. DIMENSIONS SHOWN ARE FOR ALL TOUCH TECHNOLOGIES UNLESS NOTED.



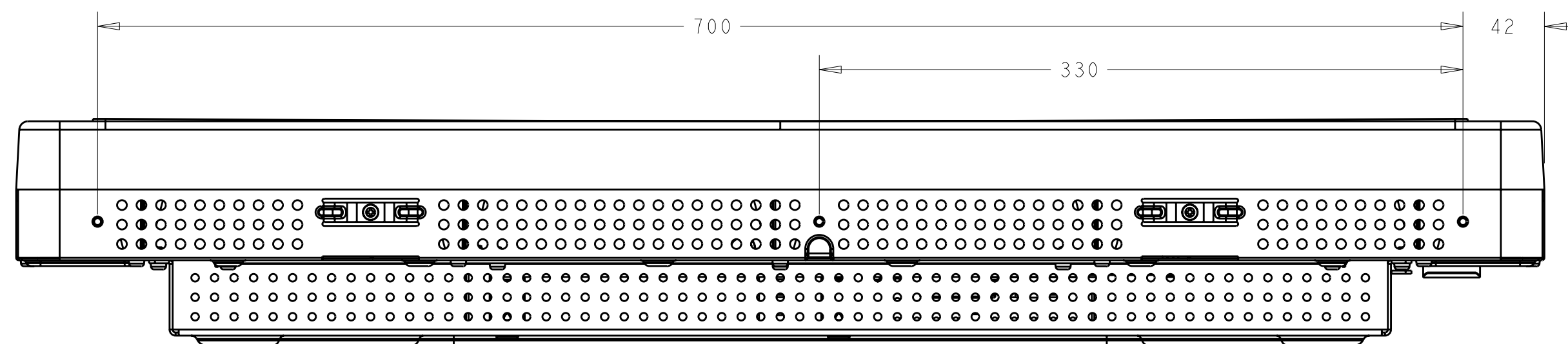
115 (INTELLITOUCH)
 110 (ACOUSTIC PULSE RECOGNITION & NO-TOUCH)



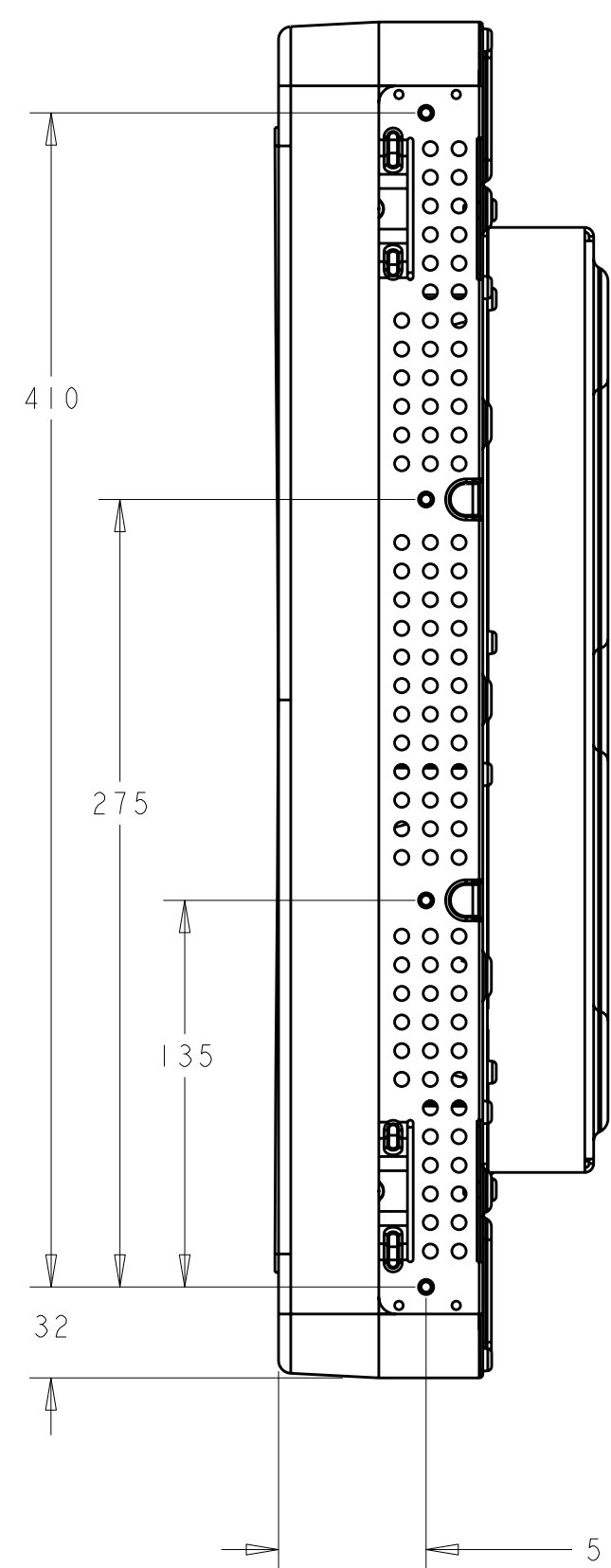
DETAIL A



SIDE MOUNT, HORIZONTAL

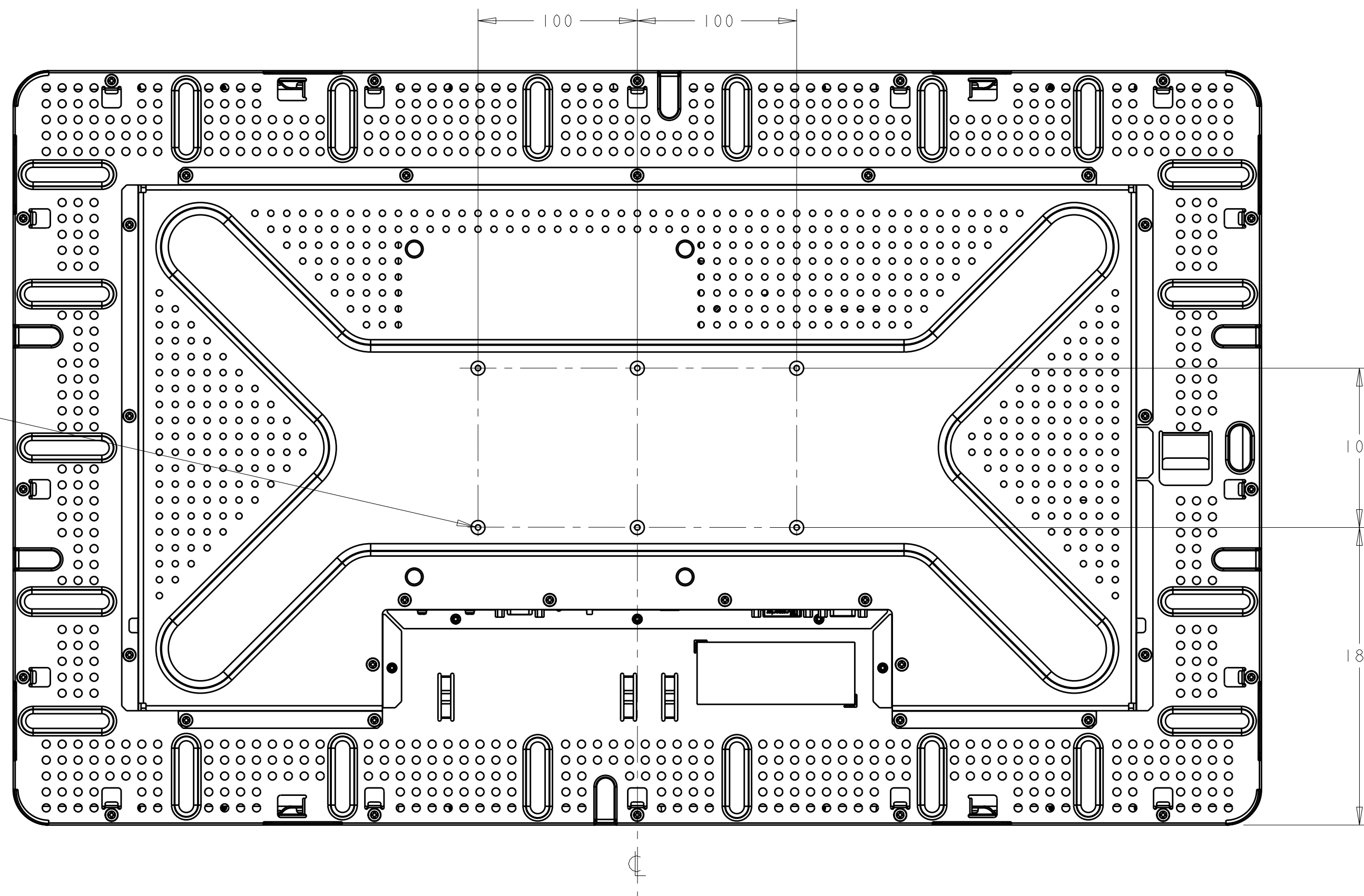


SIDE MOUNT, VERTICAL

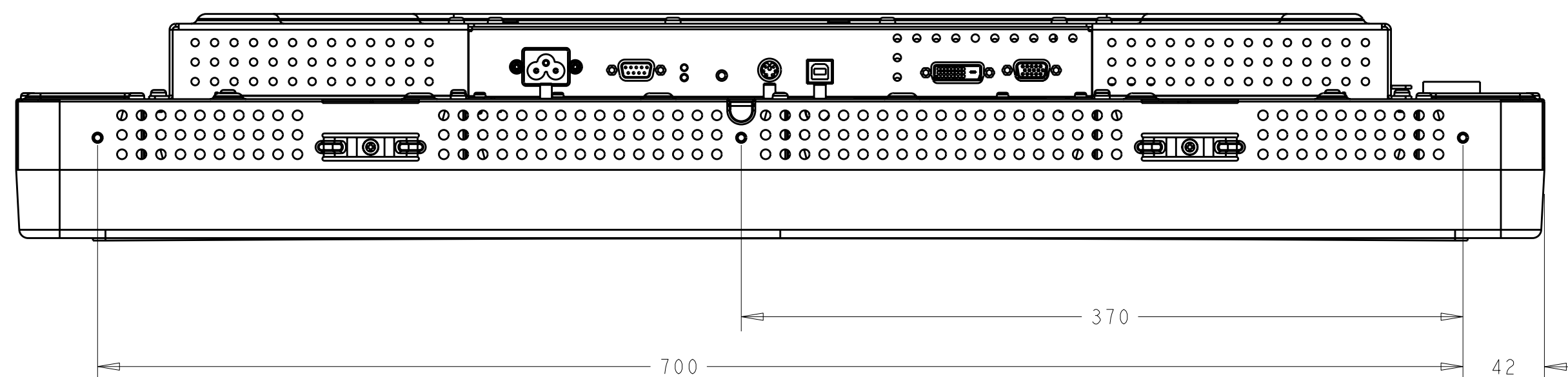


51.5 (INTELLITOUCH)
46.1 (ACOUSTIC PULSE RECOGNITION & NO-TOUCH)

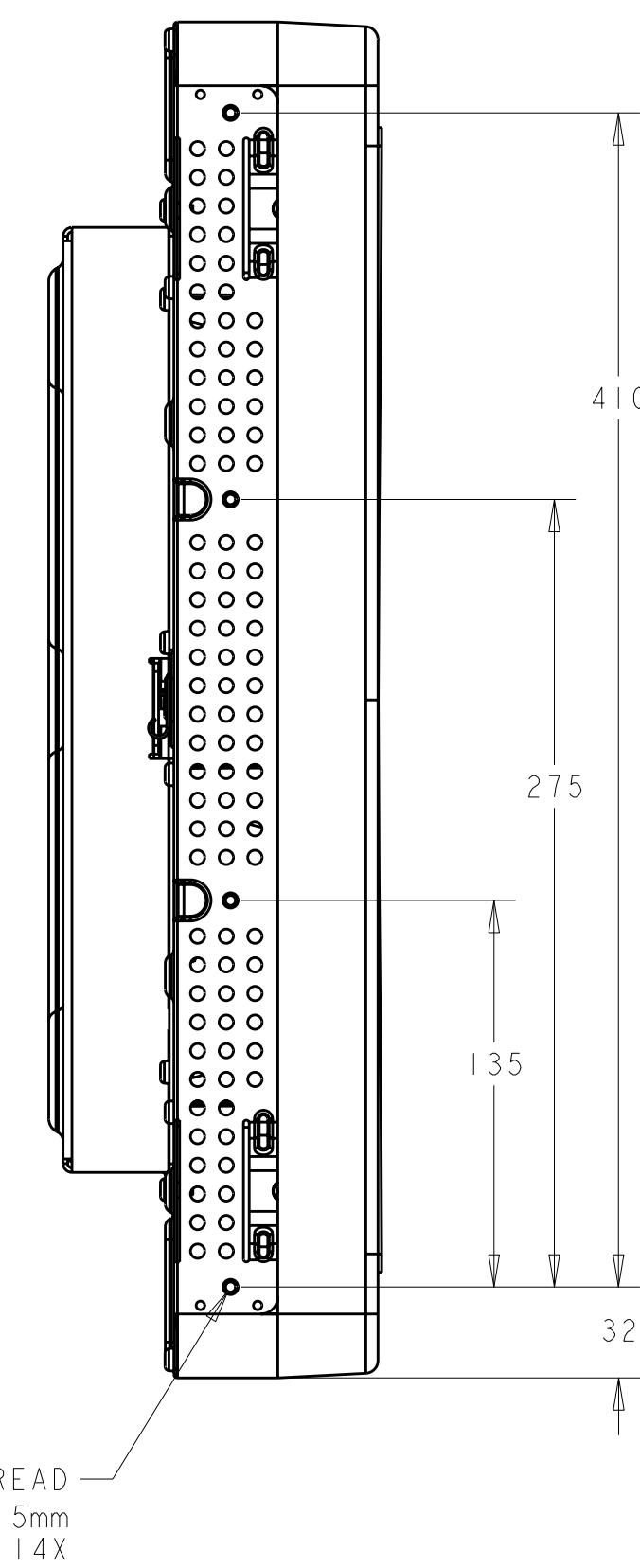
VESA MIS E 100



SIDE MOUNT, HORIZONTAL



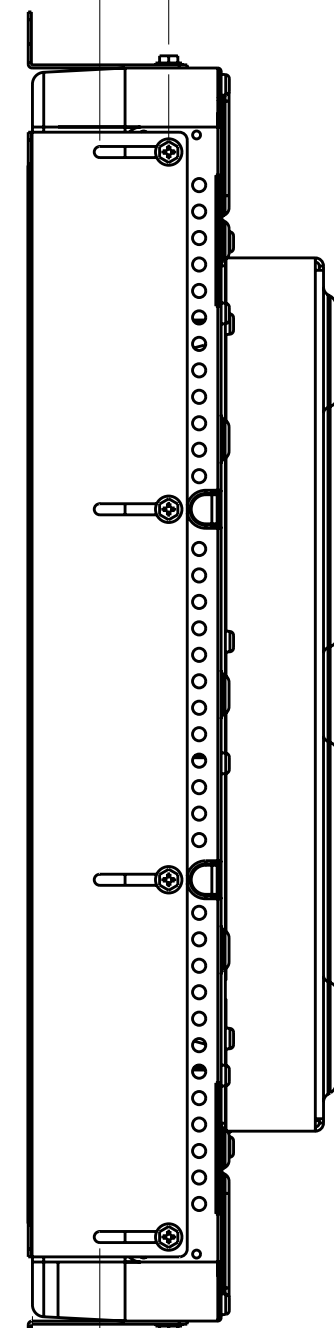
SIDE MOUNT, VERTICAL



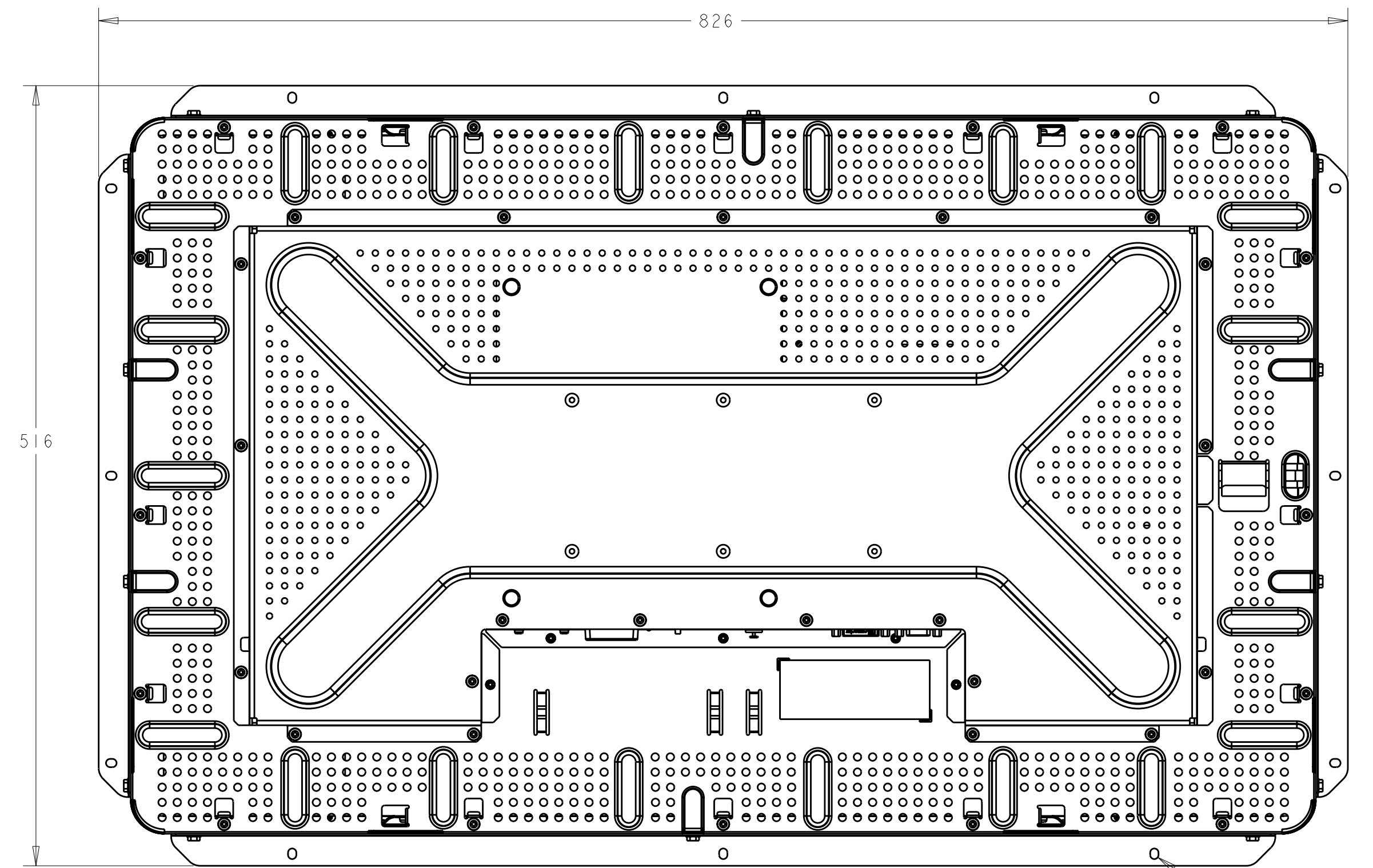
NOTE A
CUSTOMER PANEL MATERIAL:

1. WOOD: 4.5 HOLES THRU FOR M4 SCREWS W/NUTS, OR, NO THRU HOLES, SCREWS FOR WOOD 4mm.
2. SHEET METAL: CONCEALED HEAD THREADED STUDS M4 W/NUTS.

26.1 MOUNTING BRACKETS
ADJUSTMENT RANGE



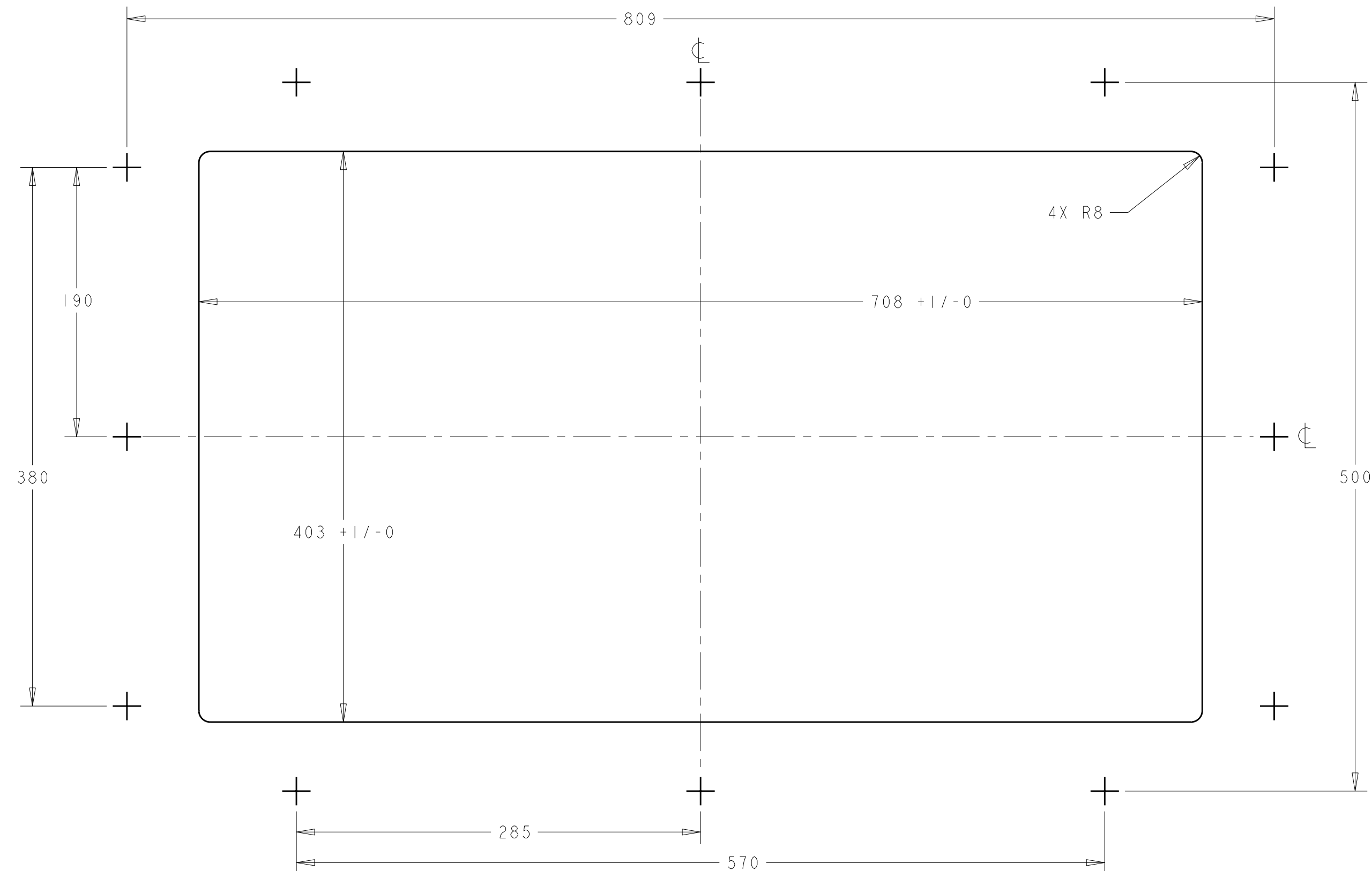
REAR MOUNT WITH BRACKETS,
HORIZONTAL AND VERTICAL



25.5 (INTELLITOUCH)
20.0 (ACOUSTIC PULSE RECOGNITION &
NO-TOUCH)

1.6 (INTELLITOUCH)
7.0 (ACOUSTIC PULSE RECOGNITION &
NO-TOUCH)

RECOMMENDED CUSTOMER
PANEL CUT-OUT (SEE NOTE A)



DIMENSIONS ARE IN MILLIMETERS