

TILT 30° FROM VERTICAL

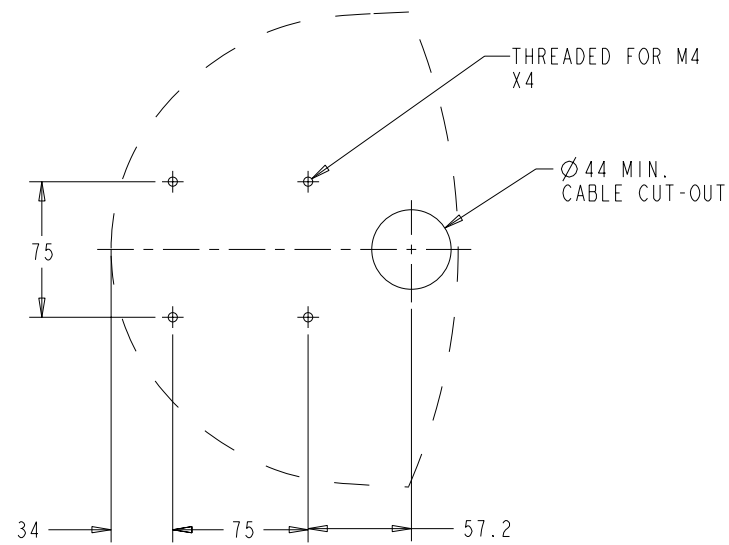
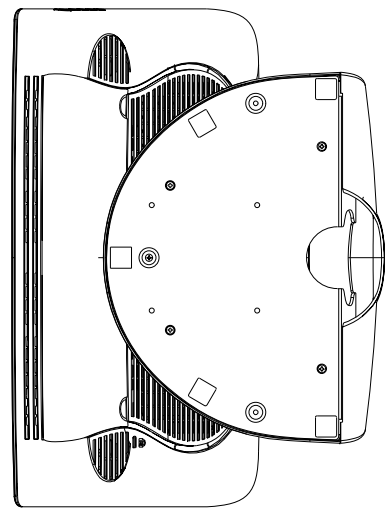
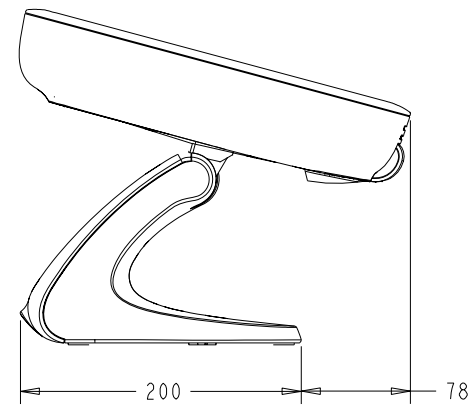


FIGURE 1: SHORT BASE MOUNTING PATTERN



TILT 75° FROM VERTICAL

- FIGURE 2: TILT LOCK OPERATION**
1. PIVOT DISPLAY TO DESIRED ANGLE.
 2. ROTATE KNOB ~1 TURN CLOCKWISE TO LOCK.
 3. ROTATE KNOB ~1 TURN COUNTER-CLOCKWISE TO UN-LOCK.

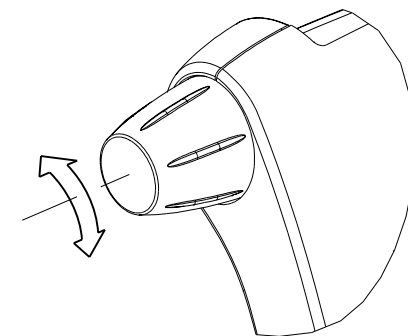
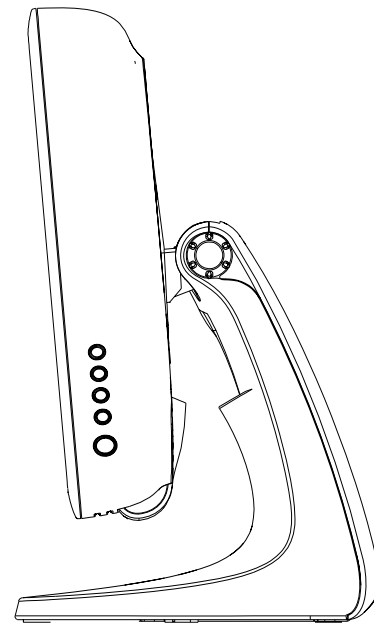
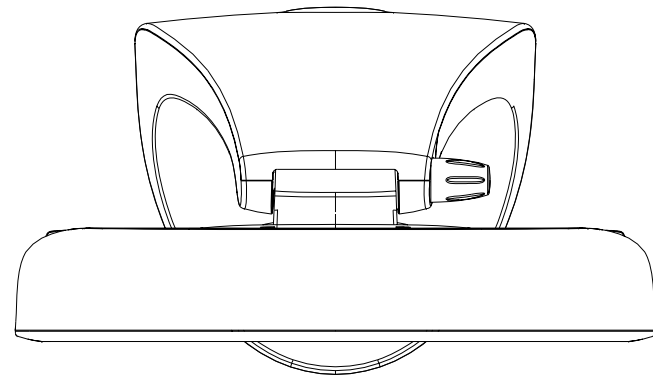
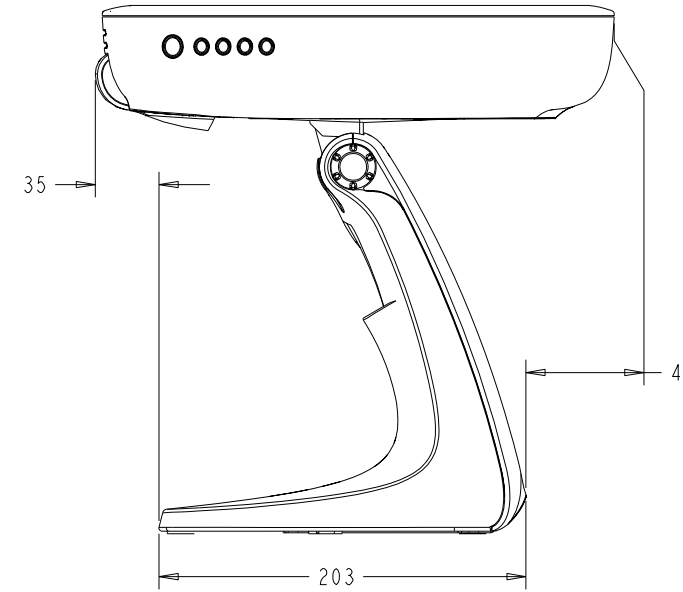


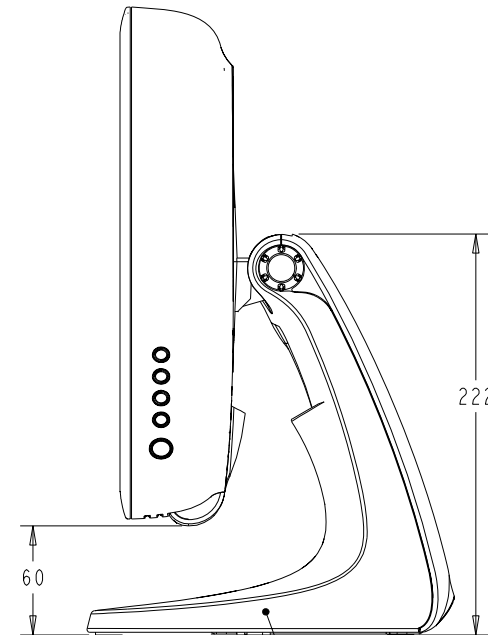
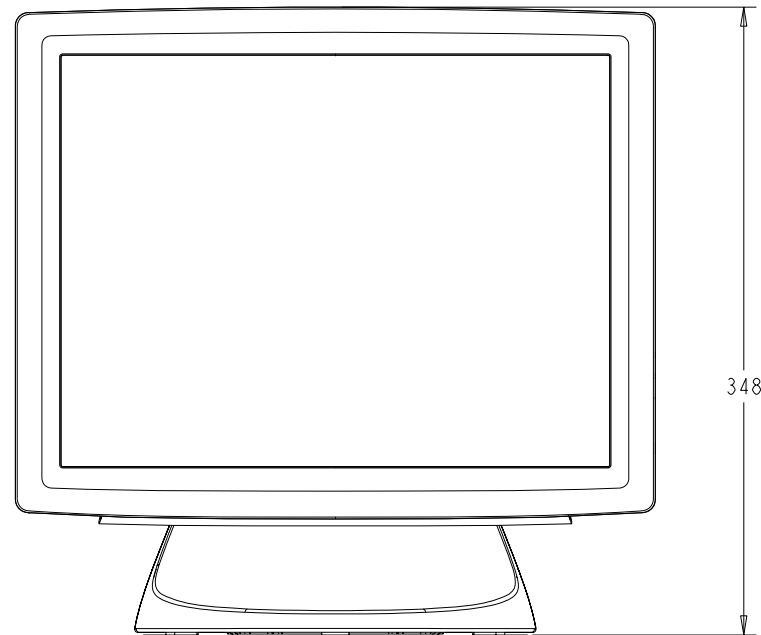
FIGURE 3: TALL STAND



TILT: -5° FROM VERT.



TILT: 90° FROM VERT.



REPLACEMENT STAND
P/N E930466 (TALL).
COLOR: GRAY

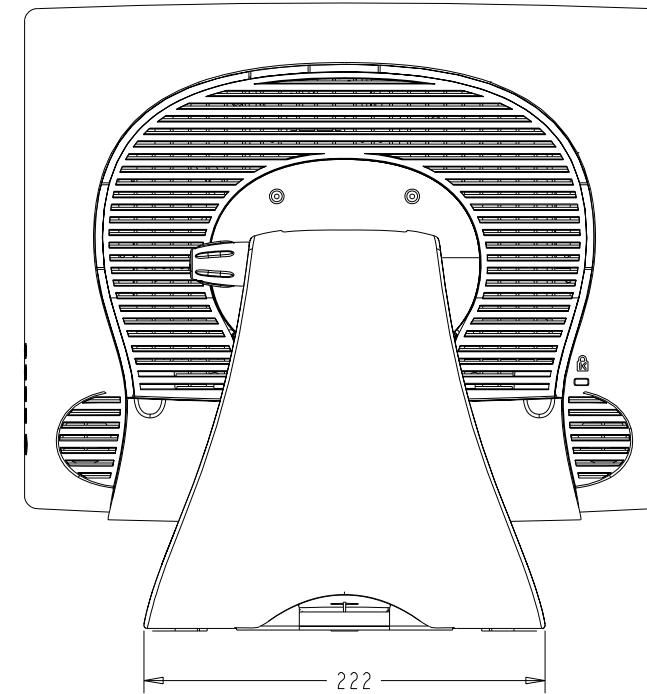


FIGURE 4: TOUCH PLUS MSR ACCESSORIES

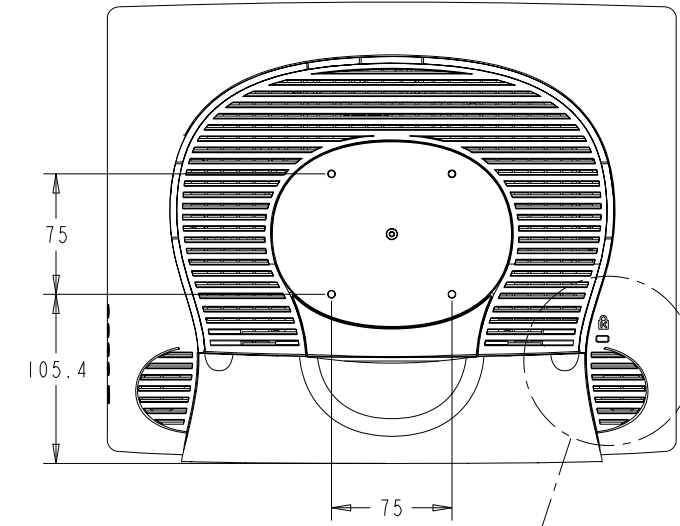
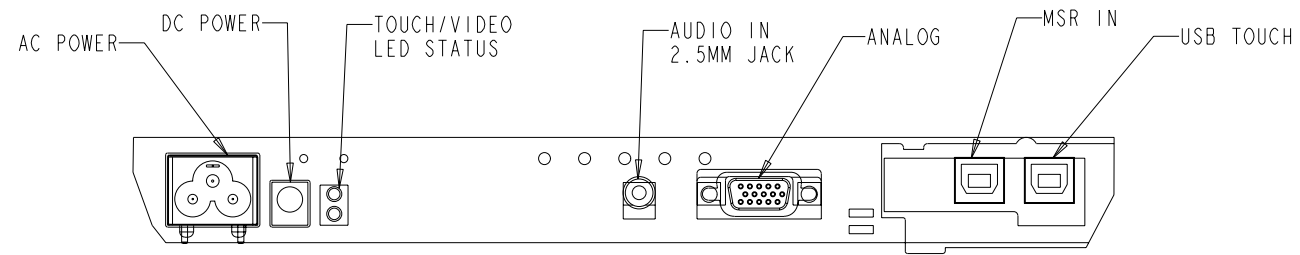
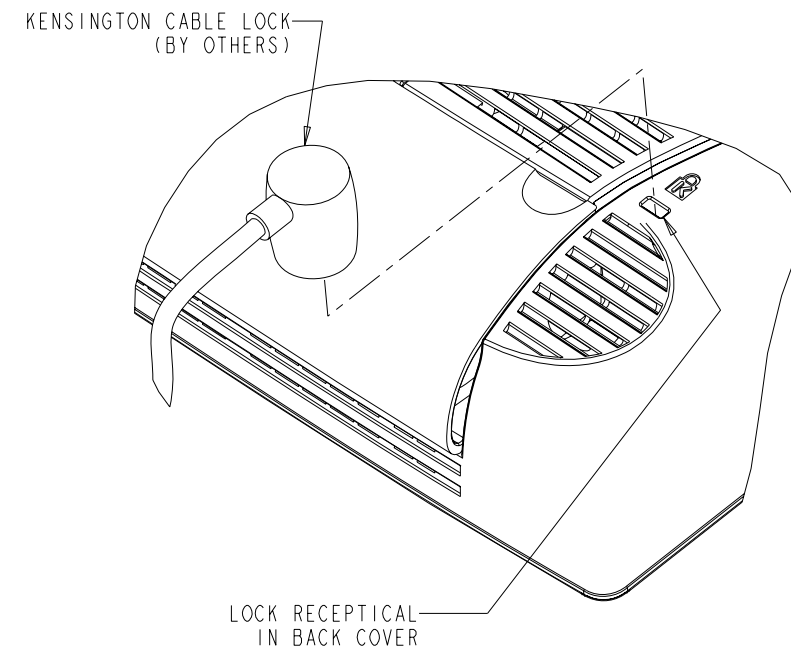


FIGURE 5: KENSINGTON LOCK DETAIL



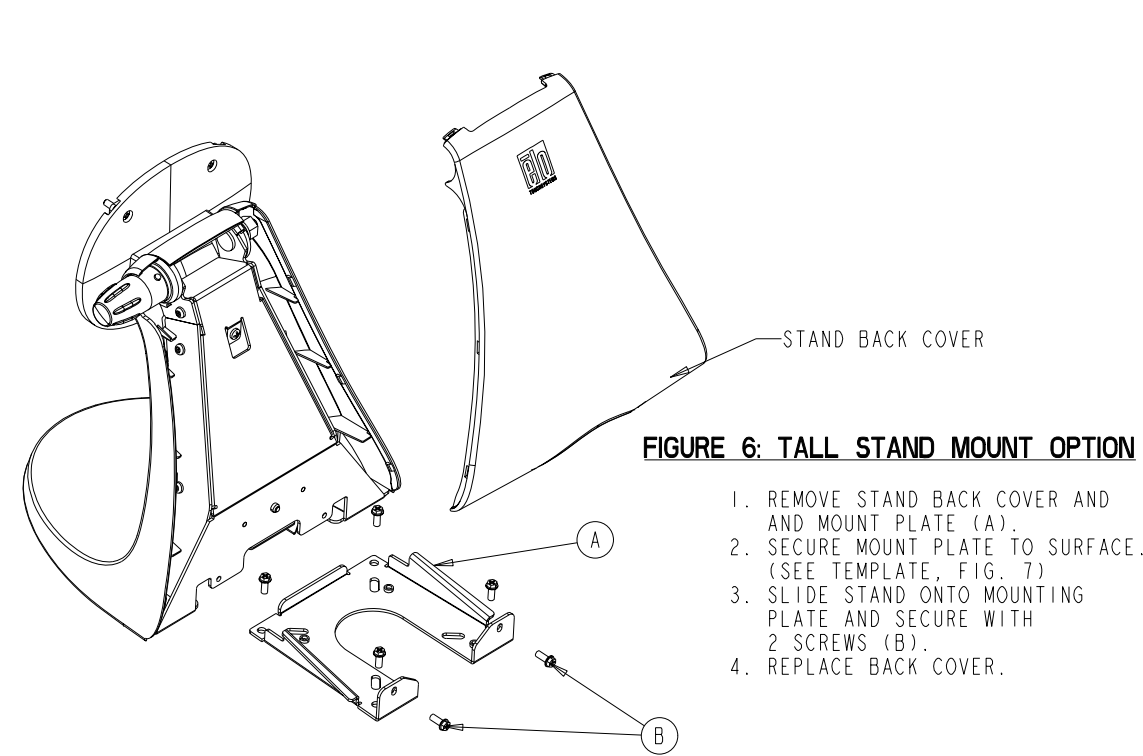
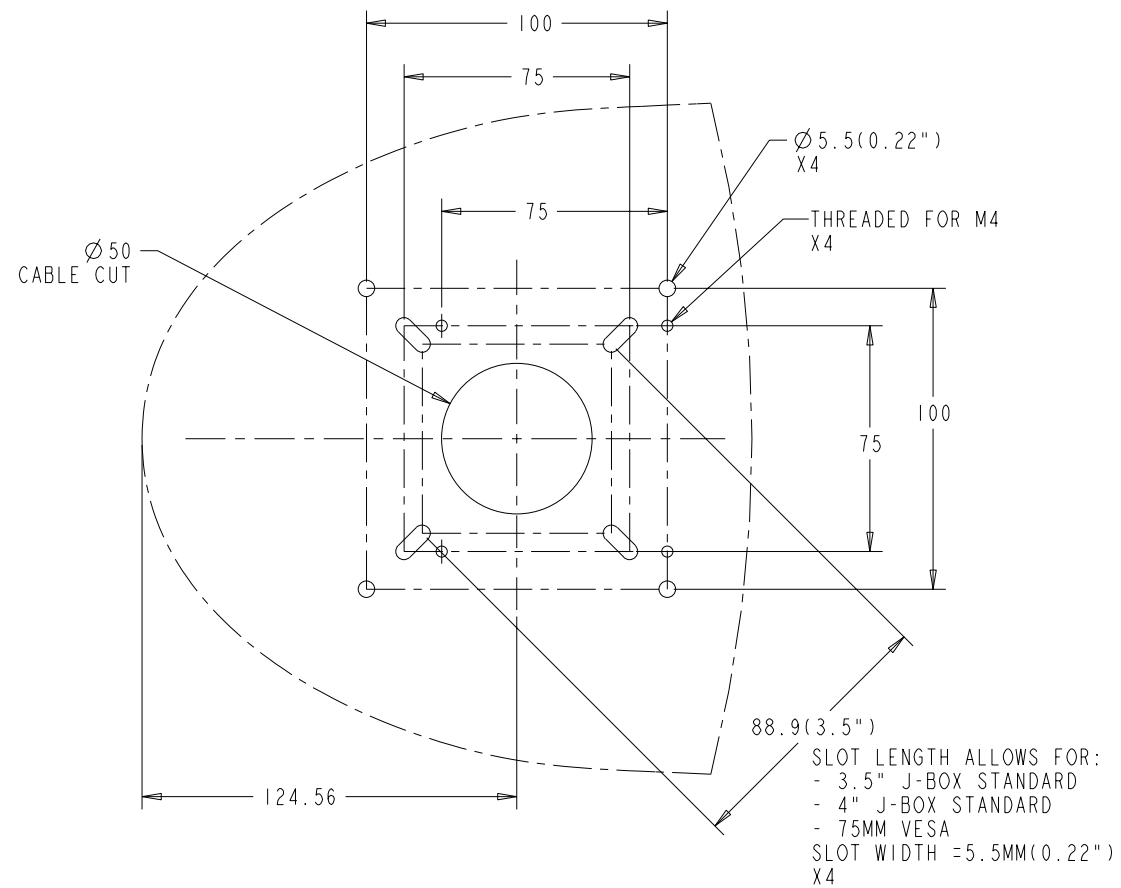
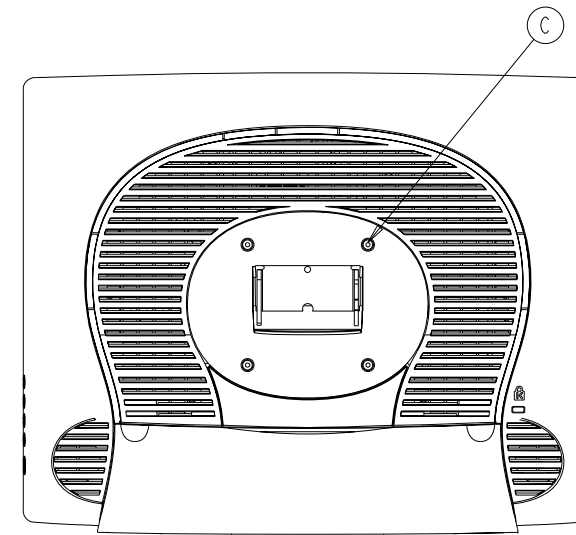


FIGURE 7: TALL STAND MOUNT TEMPLATE



DIMENSIONS ARE IN MILLIMETERS/INCHES



MOUNTING TO A WALL:

1. REMOVE THE FOUR SCREWS (C) IN ORDER TO SEPARATE THE STAND FROM THE MONITOR.
2. ROTATE THE MONITOR 180° (SO MONITOR WILL NOT BE UPSIDE DOWN WHEN MOUNTED IN THE POSITION SHOWN).
3. REINSTALL THE FOUR SCREWS (C).
4. ROUTE CABLES THROUGH CUTOUT (IF APPLICABLE) AND MOUNT MONITOR TO WALL USING THE TEMPLATES PROVIDED.

FIGURE 8: TALL STAND WALL MOUNT

SEE FIG. 6 AND TEMPLATE FIG.7 FOR FRONT MOUNT OPTION.
SEE TEMPLATE FIG.10 FOR REAR MOUNT OPTION.

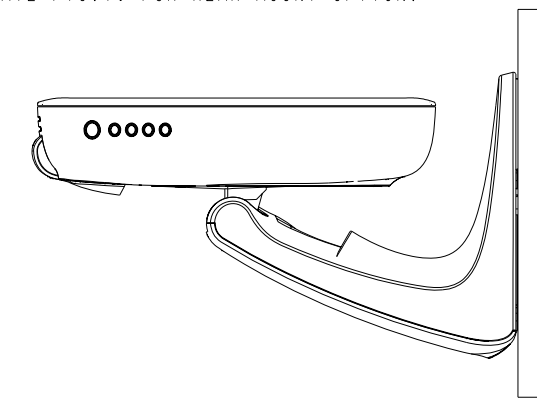
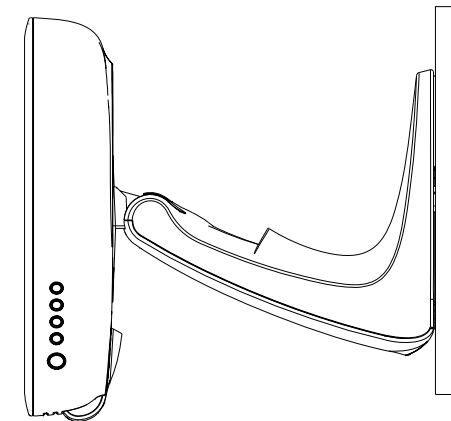


FIGURE 9: SHORT STAND WALL MOUNT

SEE FIGURE 1, PG. 1 FOR WALL MOUNT TEMPLATE

