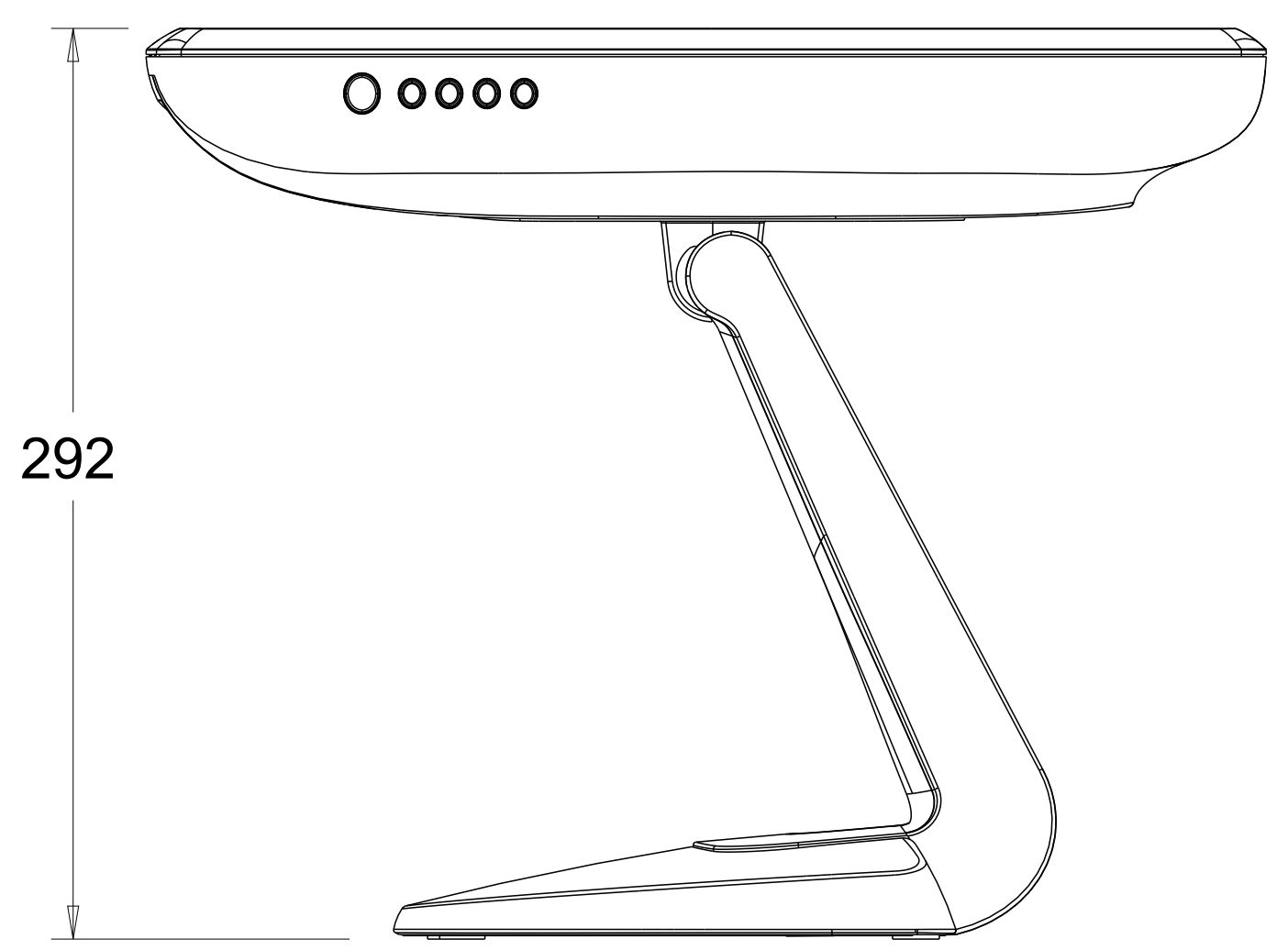
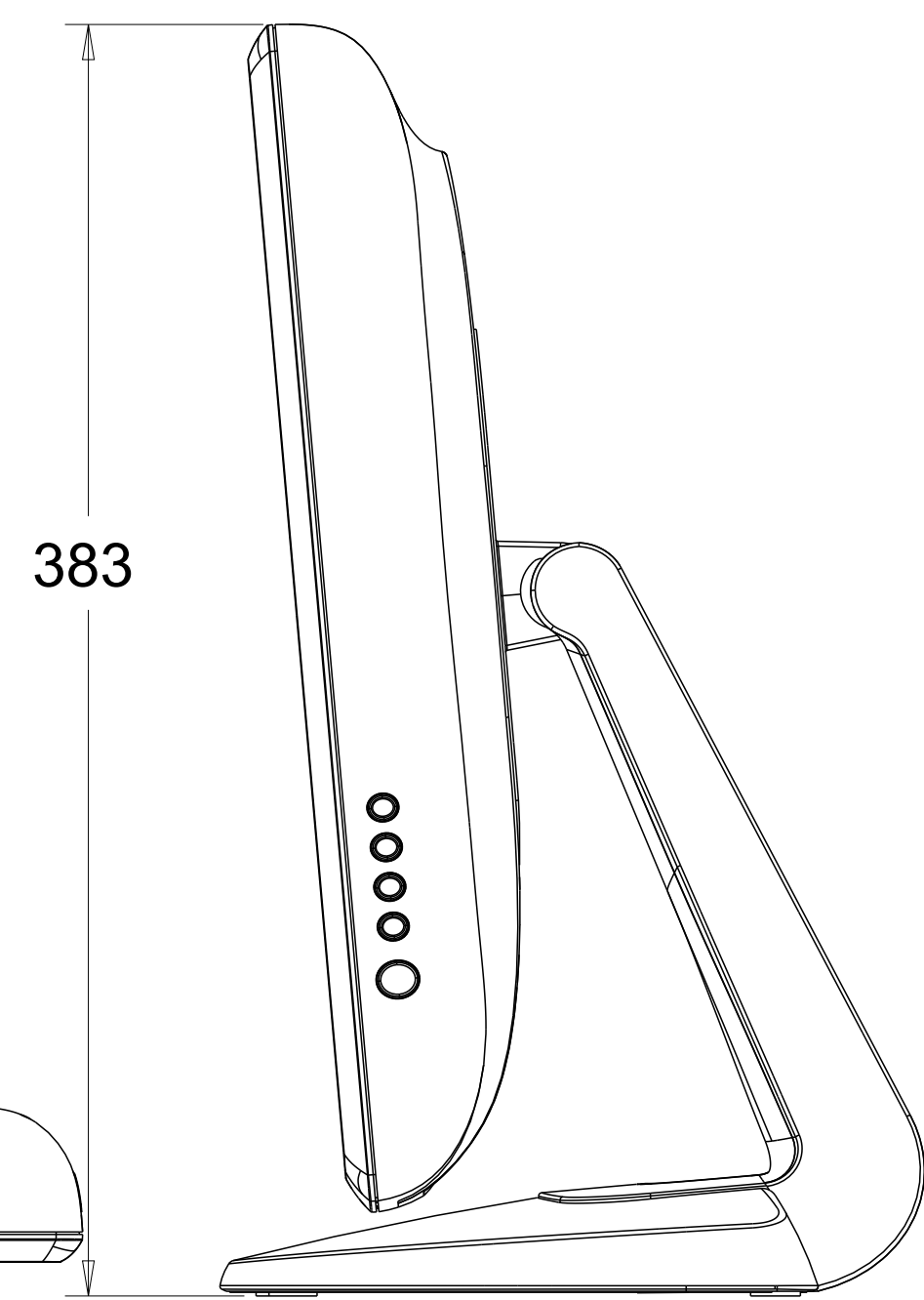
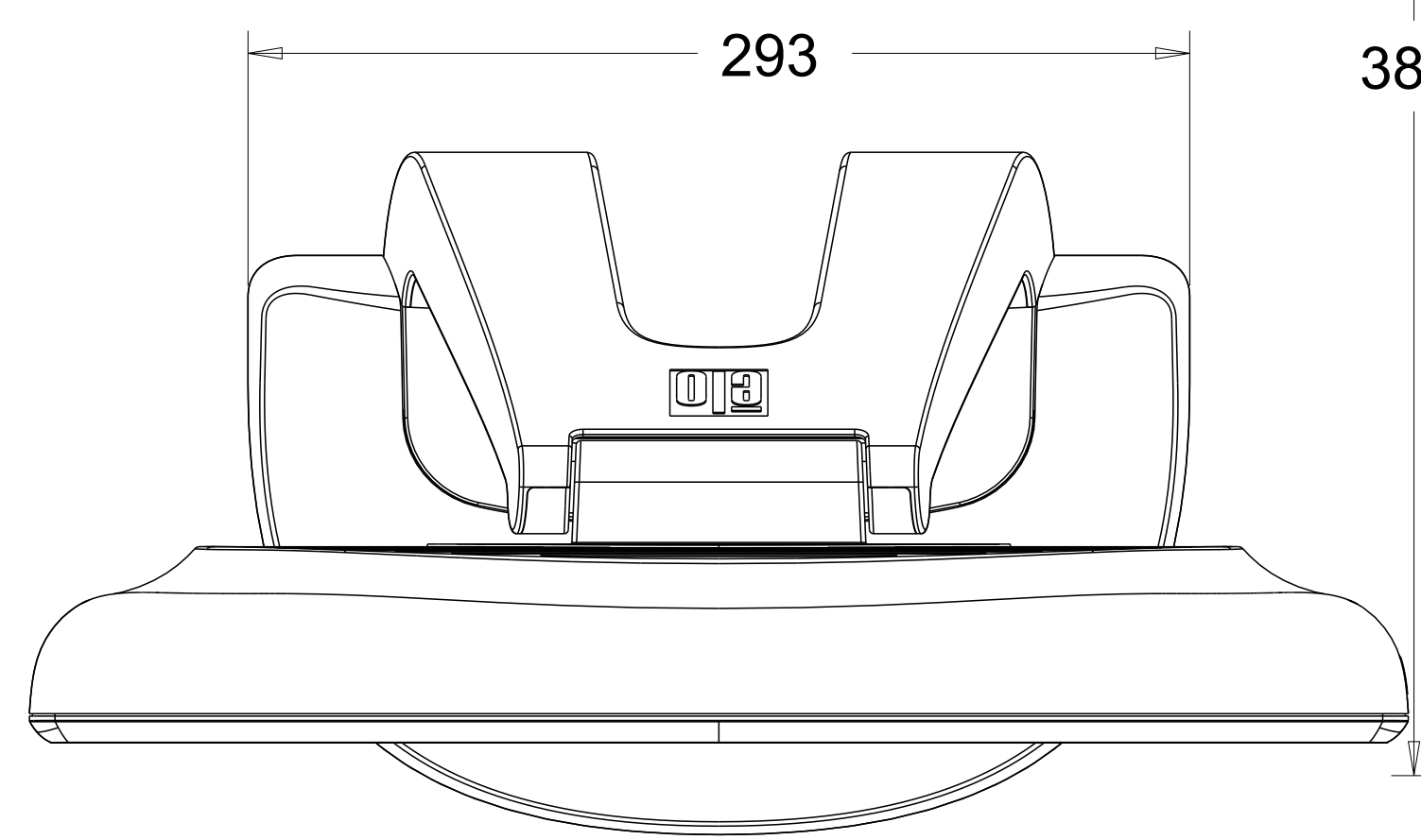


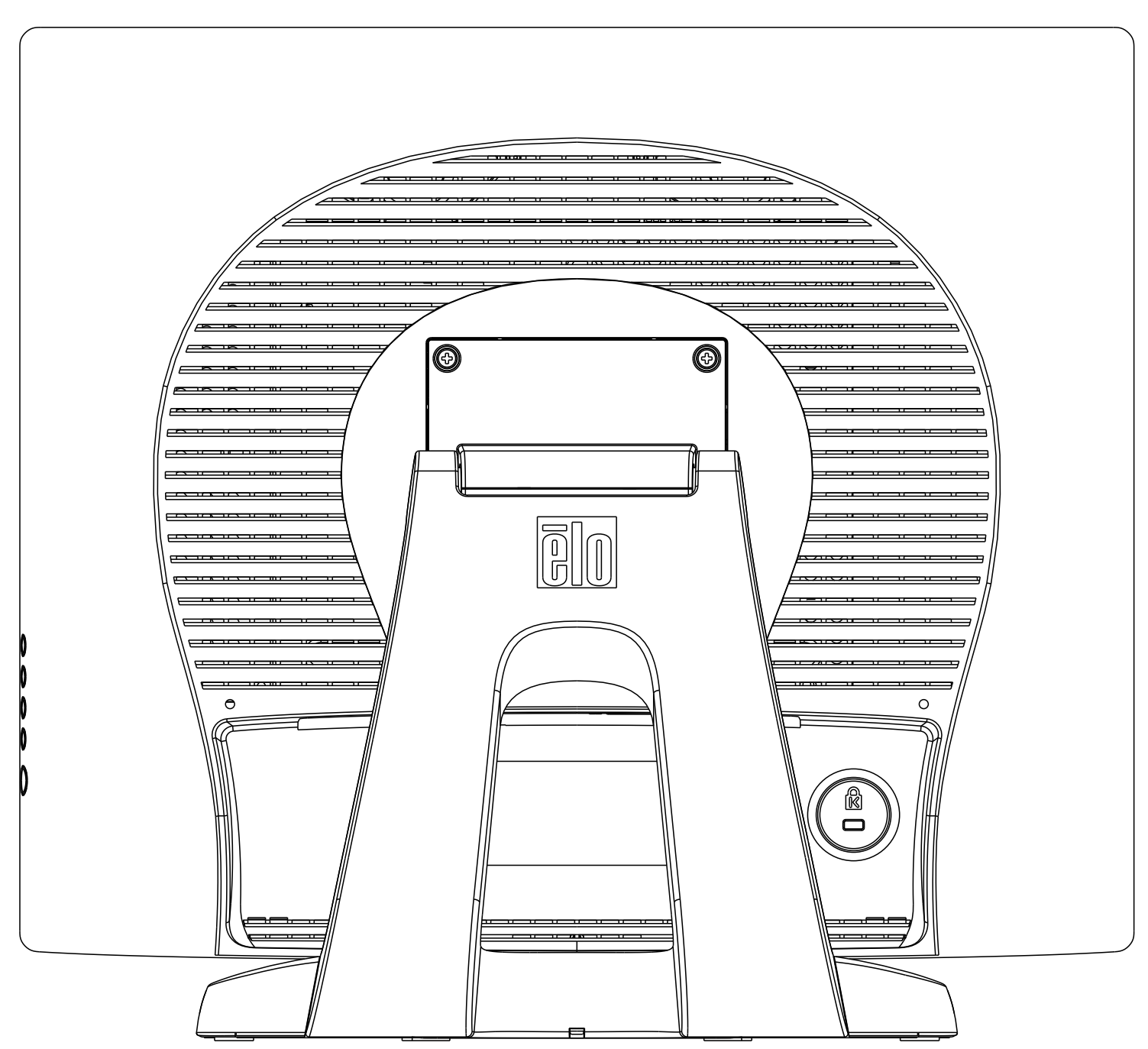
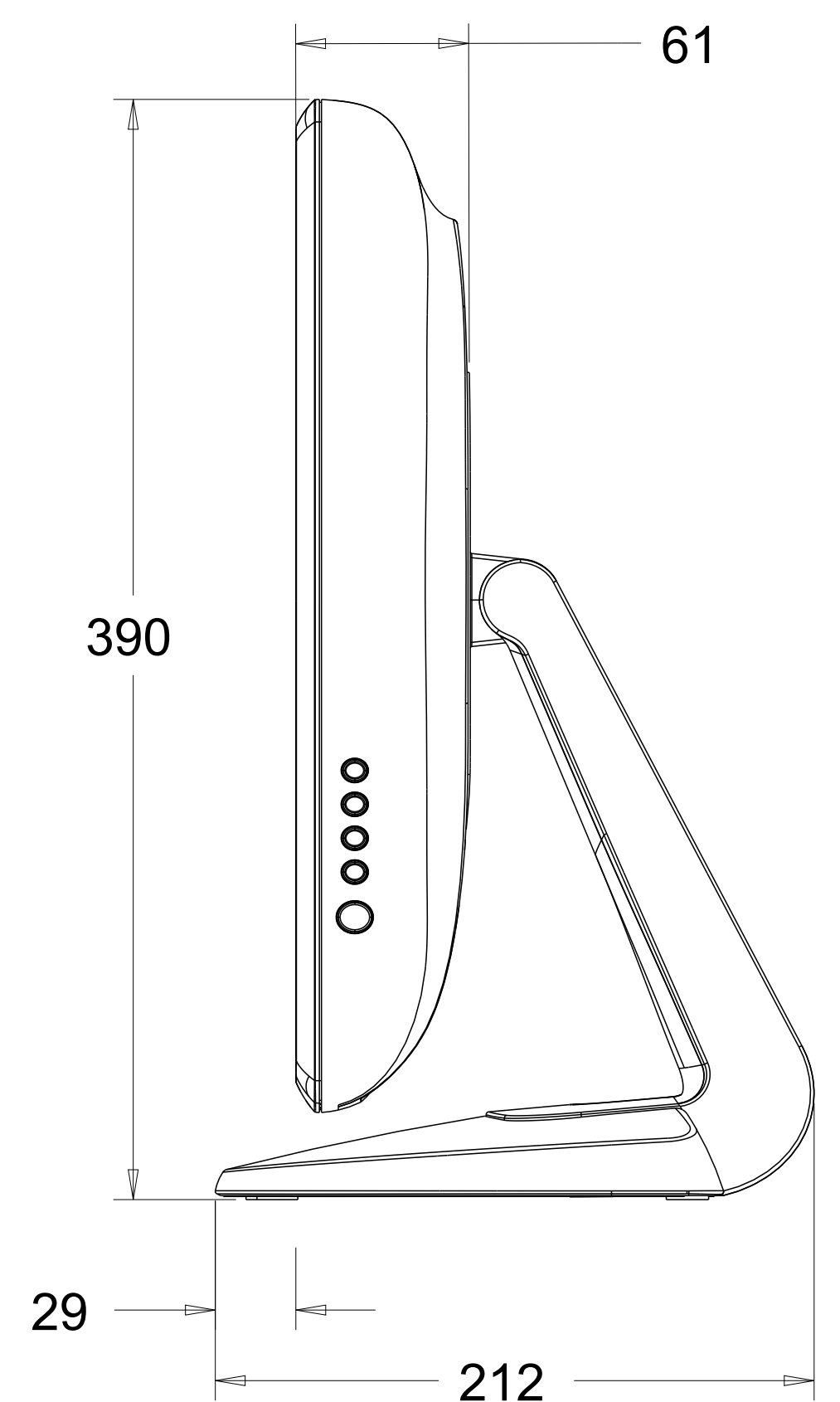
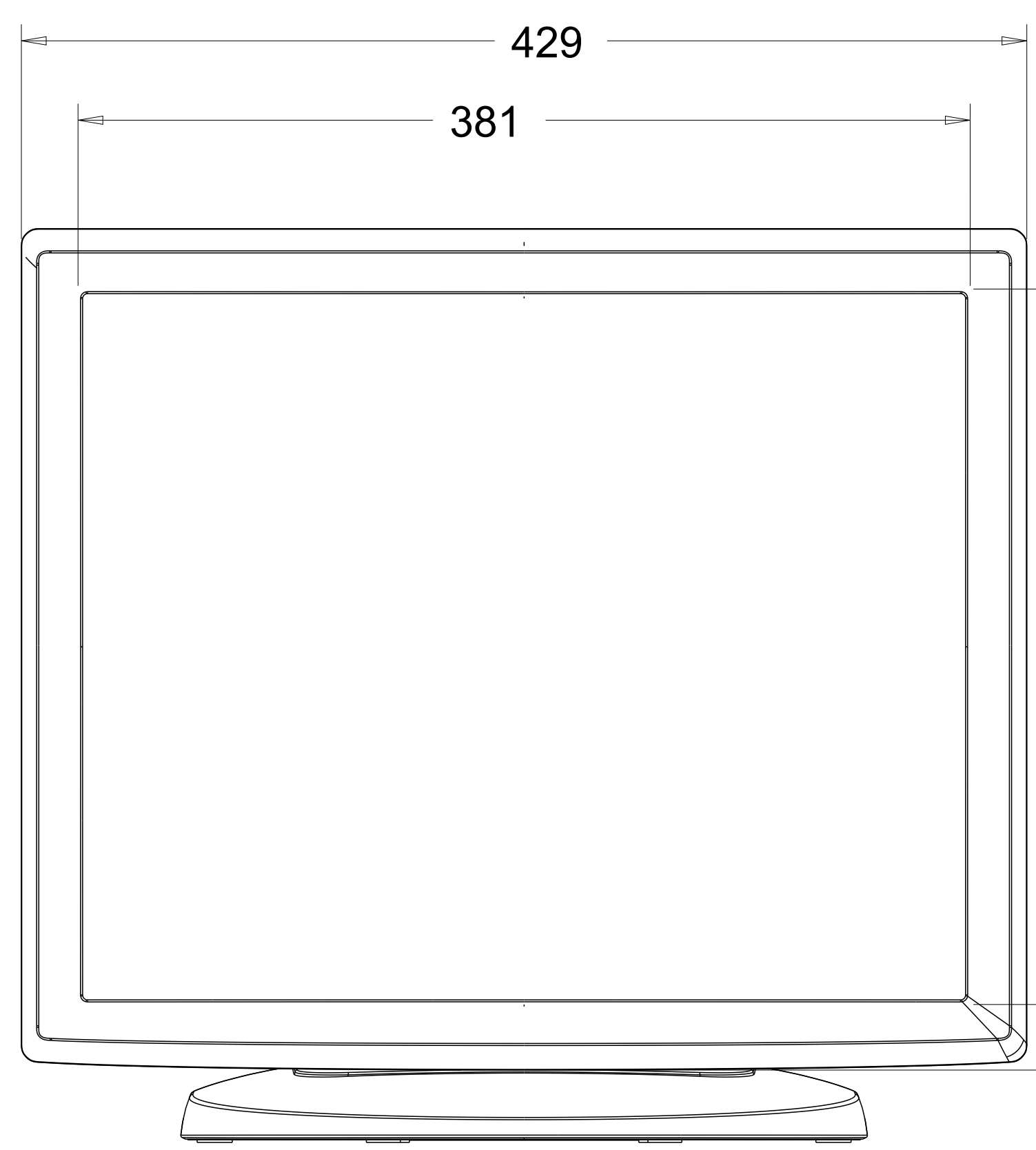
PROPRIETARY TO ELO TOUCH SOLUTIONS, INC. AND SHALL NOT BE DISCLOSED OTHER THAN TO NECESSARY EMPLOYEES OR SUPPLIERS WITHOUT THE EXPRESS WRITTEN CONSENT OF ELO TOUCH SOLUTIONS INC.

REVISIONS					
REV	ZONE	BY	DESCRIPTION	DATE	APPROVED
A	--	-	-	-	-
B		BA	ECO-12-014451: REBRANDED TO ELO TOUCH SOLUTIONS	08/31/12	DD



TILT -5° FROM VERTICAL

TILT 90° FROM VERTICAL

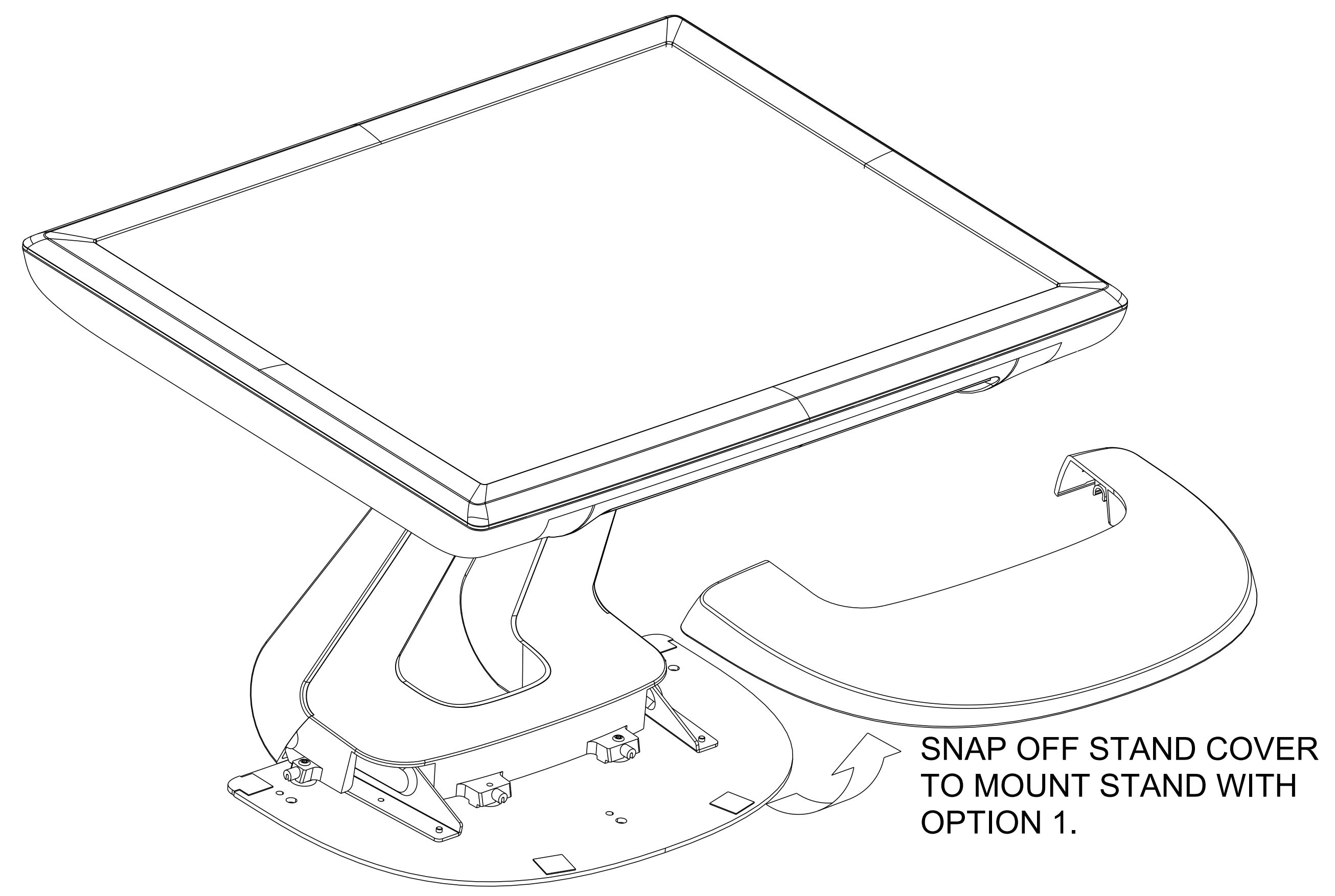


1	1		ET1928L	
ITEM NO.	QTY REQD	DRAWING OR PART NO.	DESCRIPTION	MATERIAL SPECIFICATION
PARTS LIST				
UNLESS OTHERWISE SPECIFIED ALL DIMENSIONS ARE IN MILLIMETERS		DRAWN	DATE	TITLE
TOLERANCES ARE:		CHECK	DATE	DIMENSIONAL DRAWING ET1928L
DECIMALS	ANGLES	DESIGN	DATE	
X ±: 0.50	±1/ 2°	-	-	
X ±: 0.25	FRACTIONS	THIRD ANGLE PROJECTION		
XX ±: 0.13	±1/ 32			
Pro/E part name: MS1928_TOP.PRT Pro/E drawing: MS600480_REVC.DRW		SHEET 1 OF 3		SIZE D SCALE 0.450 SHEET 1 OF 3 DWG. NO. MS600480 REV C

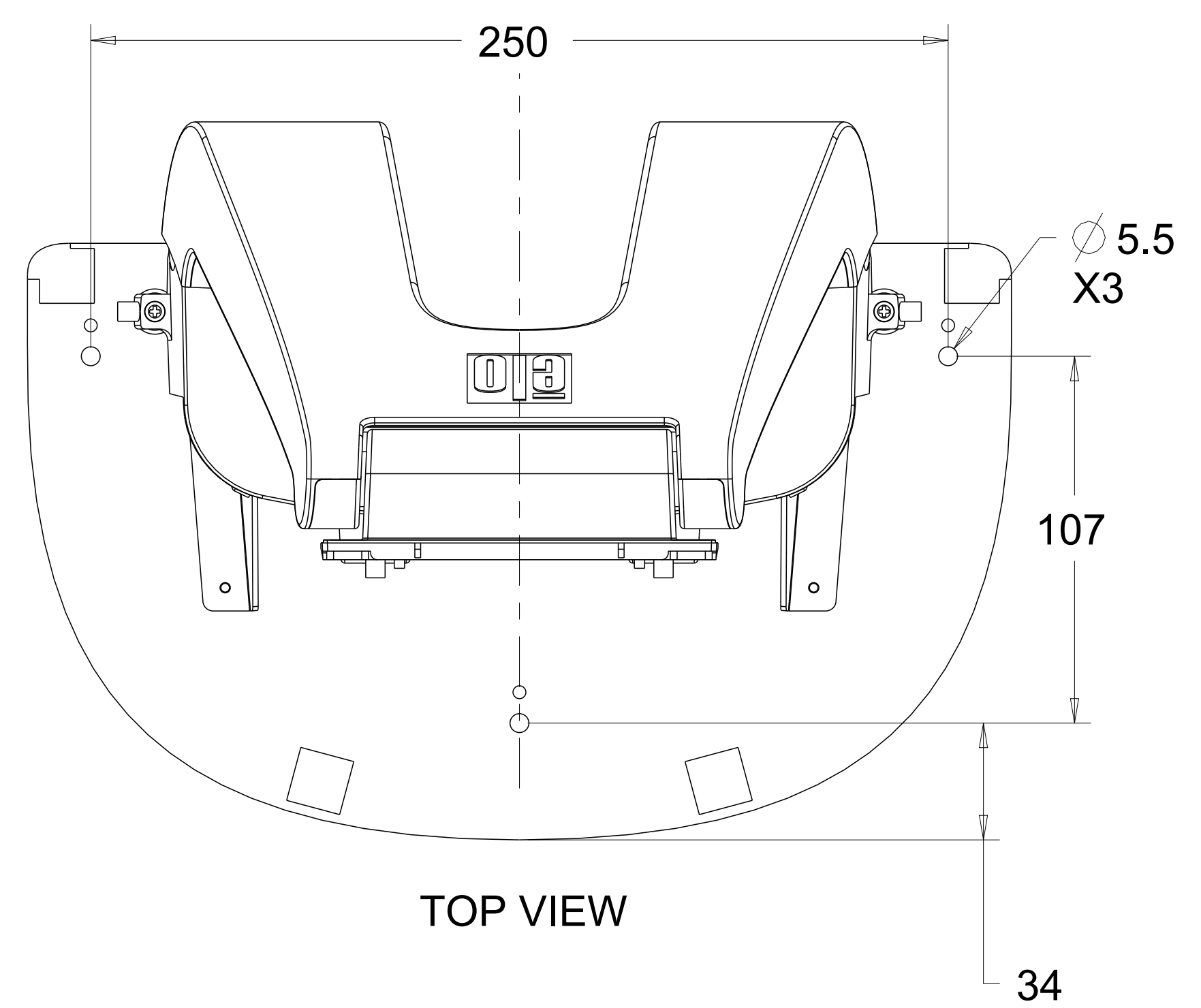
DWG. NO. MS600480

PROPRIETARY TO ELO TOUCH SOLUTIONS, INC. AND SHALL NOT BE DISCLOSED OTHER THAN TO NECESSARY EMPLOYEES OR SUPPLIERS WITHOUT THE EXPRESS WRITTEN CONSENT OF ELO TOUCH SOLUTIONS INC.

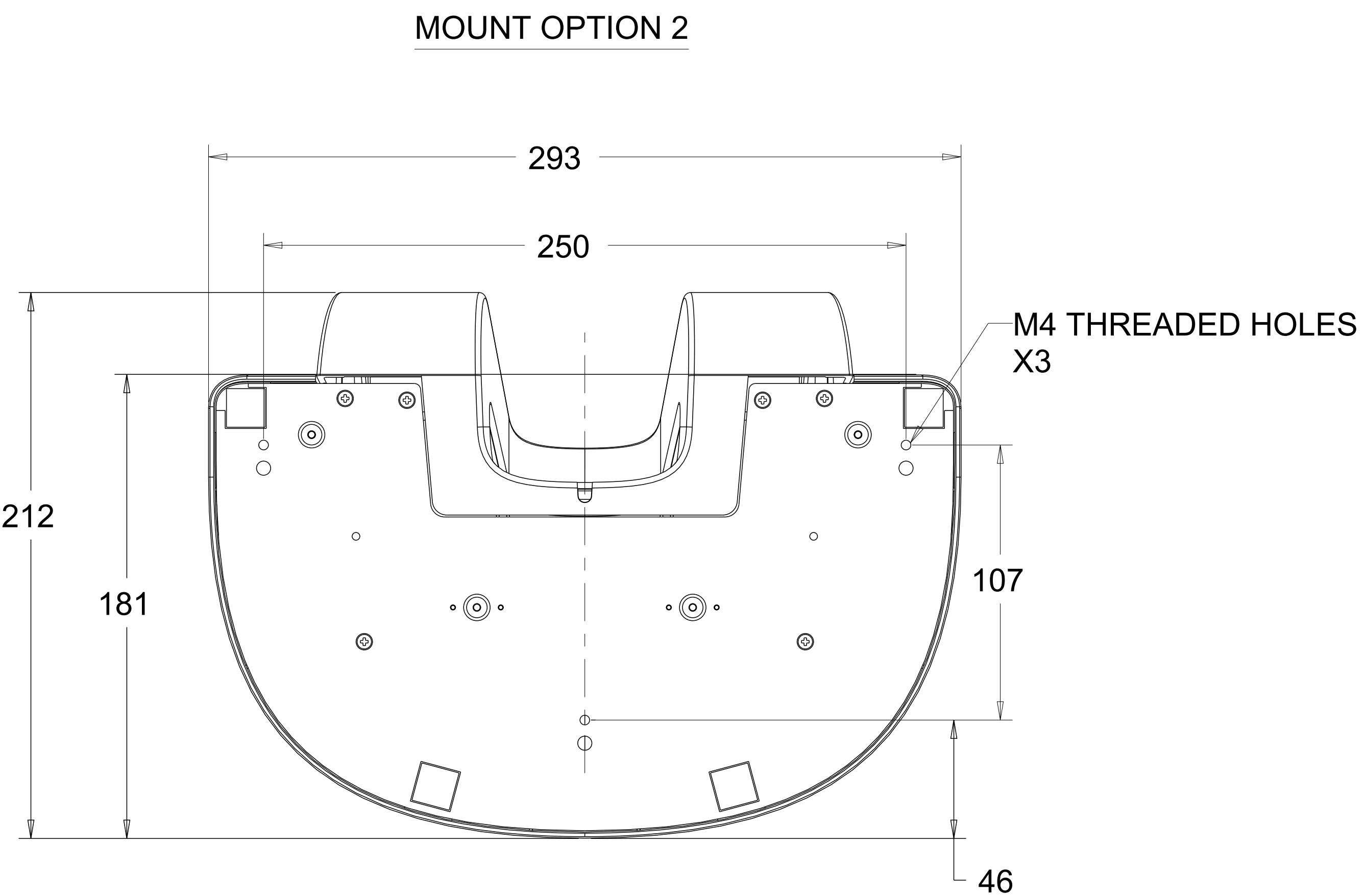
REVISIONS				
REV	CHANGE BY	CHANGE DESCRIPTION	CHANGE DATE	APPROVED



MOUNT OPTION 1



TOP VIEW



MOUNT OPTION 2

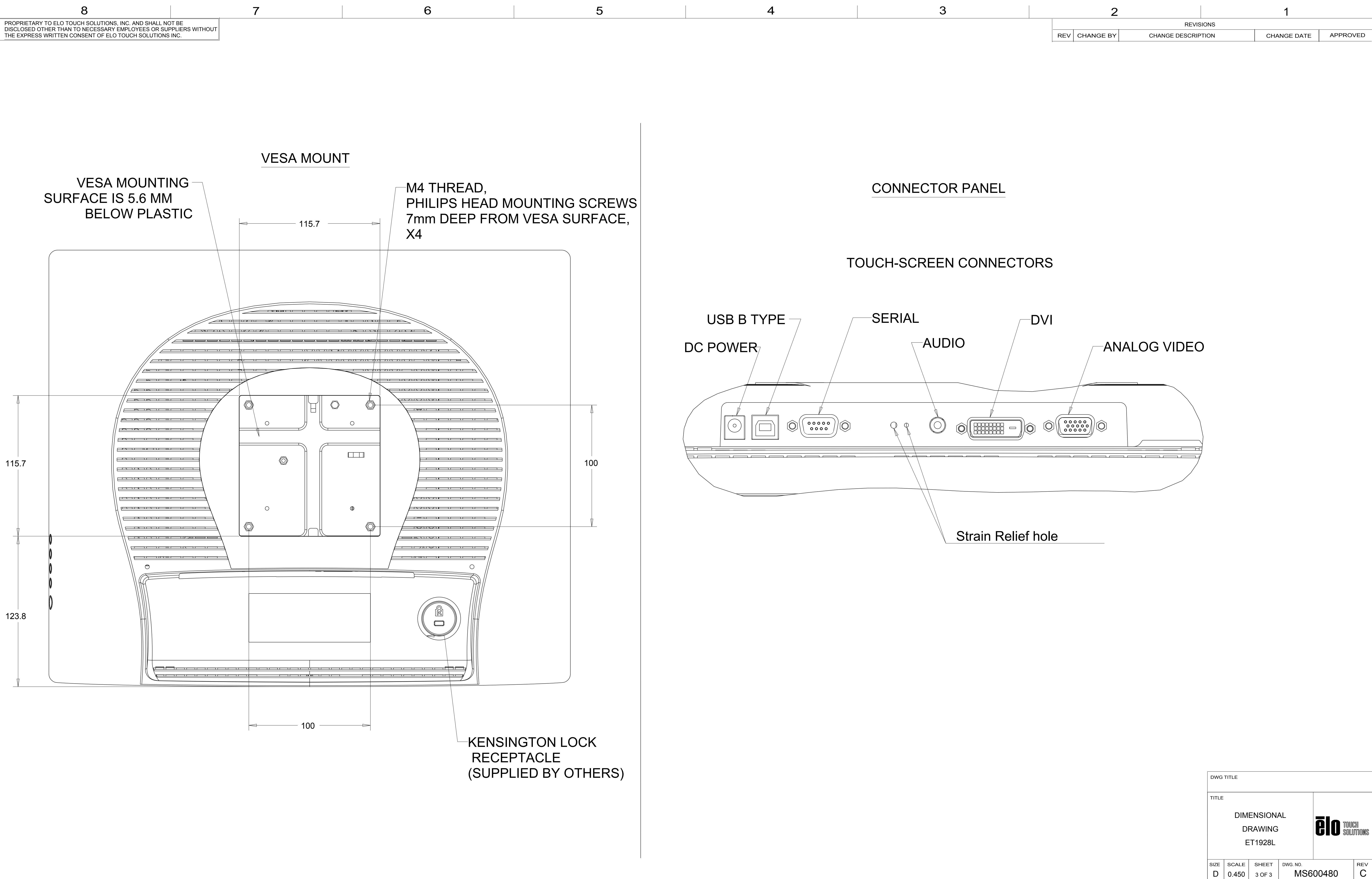
BOTTOM VIEW

DWG TITLE				
TITLE				
DIMENSIONAL DRAWING			ET1928L	
SIZE	SCALE	SHEET	DWG. NO.	REV
D	0.500	2 OF 3	MS600480	C

DWG. NO. MS600480 REV C

PROPRIETARY TO ELO TOUCH SOLUTIONS, INC. AND SHALL NOT BE DISCLOSED OTHER THAN TO NECESSARY EMPLOYEES OR SUPPLIERS WITHOUT THE EXPRESS WRITTEN CONSENT OF ELO TOUCH SOLUTIONS INC.

REVISIONS				
REV	CHANGE BY	CHANGE DESCRIPTION	CHANGE DATE	APPROVED



8 7 6 5 4 3 2 1

D

C

B

A

D

C

B

C

SHT 3 OF 3

REV

MS600480

REV C

DWG TITLE				
TITLE				
DIMENSIONAL DRAWING				
ET1928L				
SIZE	SCALE	SHEET	DWG. NO.	REV
D	0.450	3 OF 3	MS600480	C

8 7 6 5 4 3 2 1