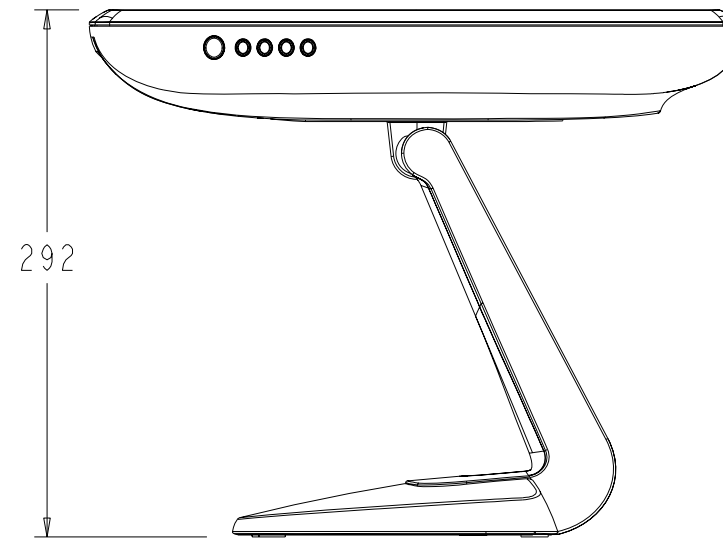
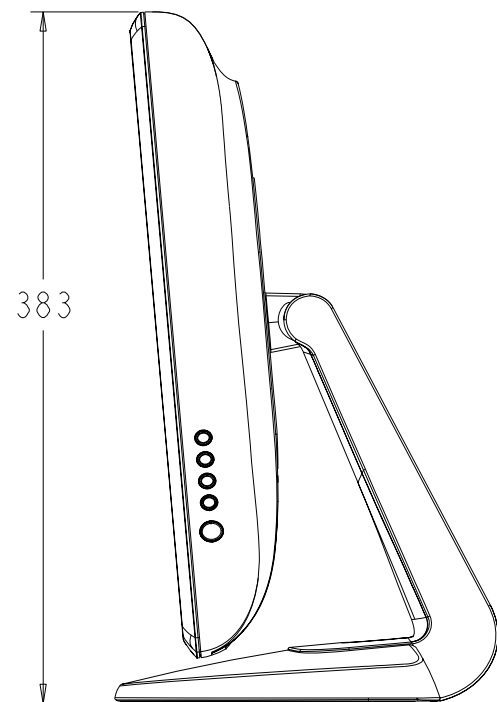
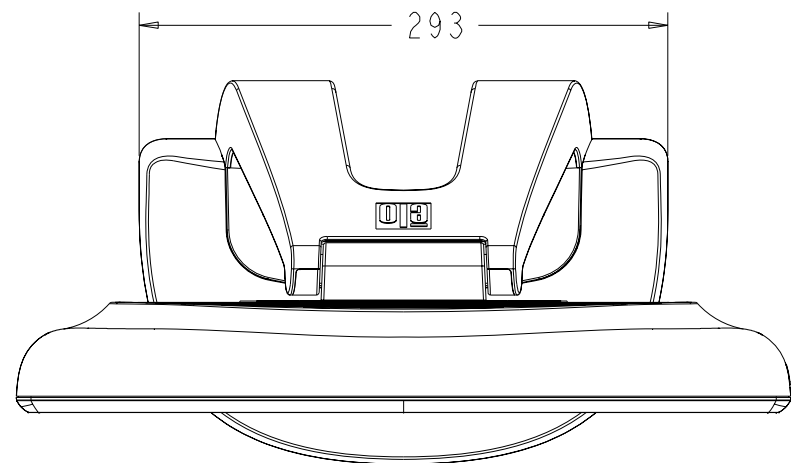
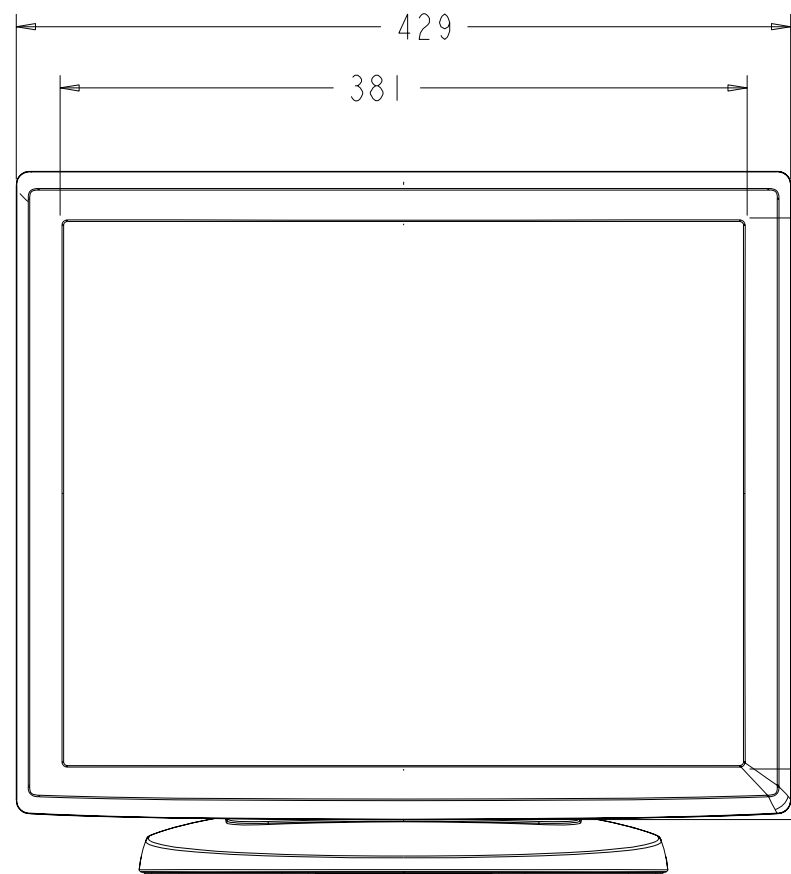


TITLE: ET1928L

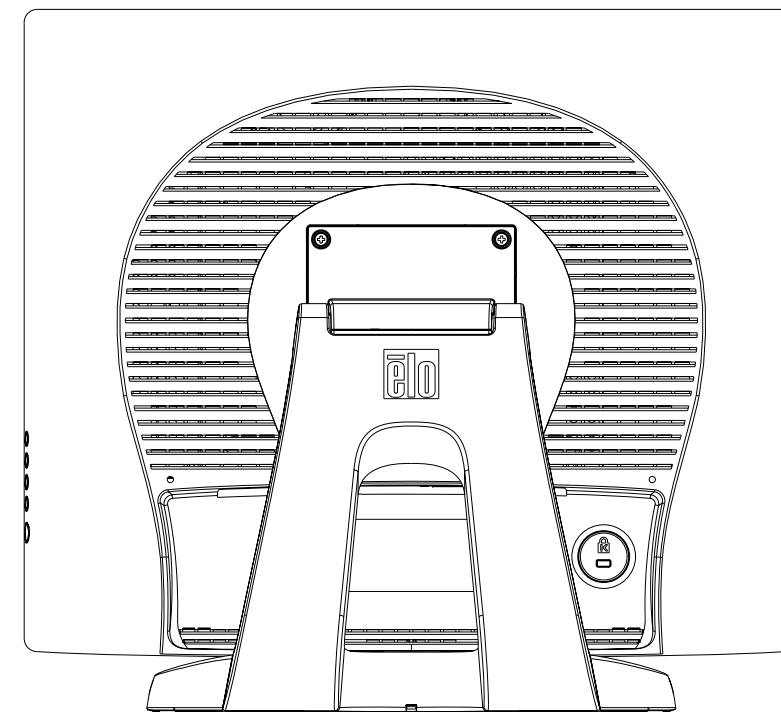
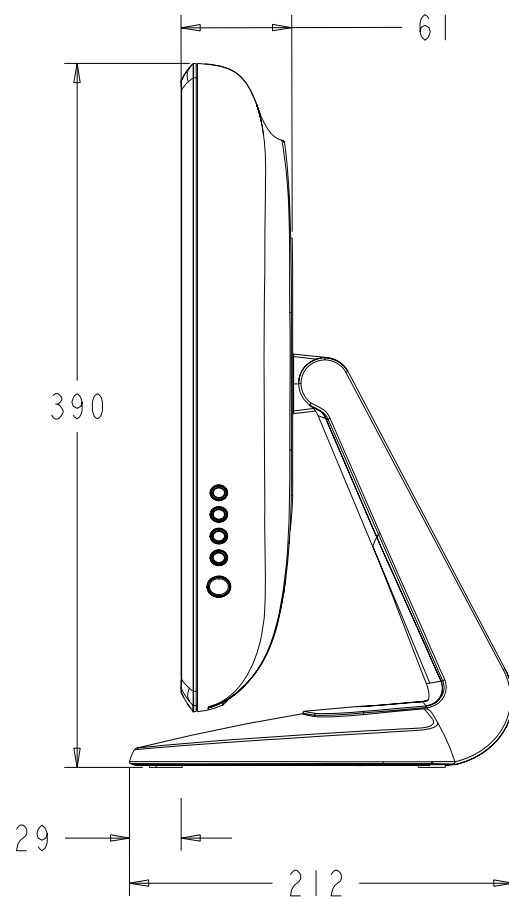


TILT -5° FROM VERTICAL

TILT 90° FROM VERTICAL



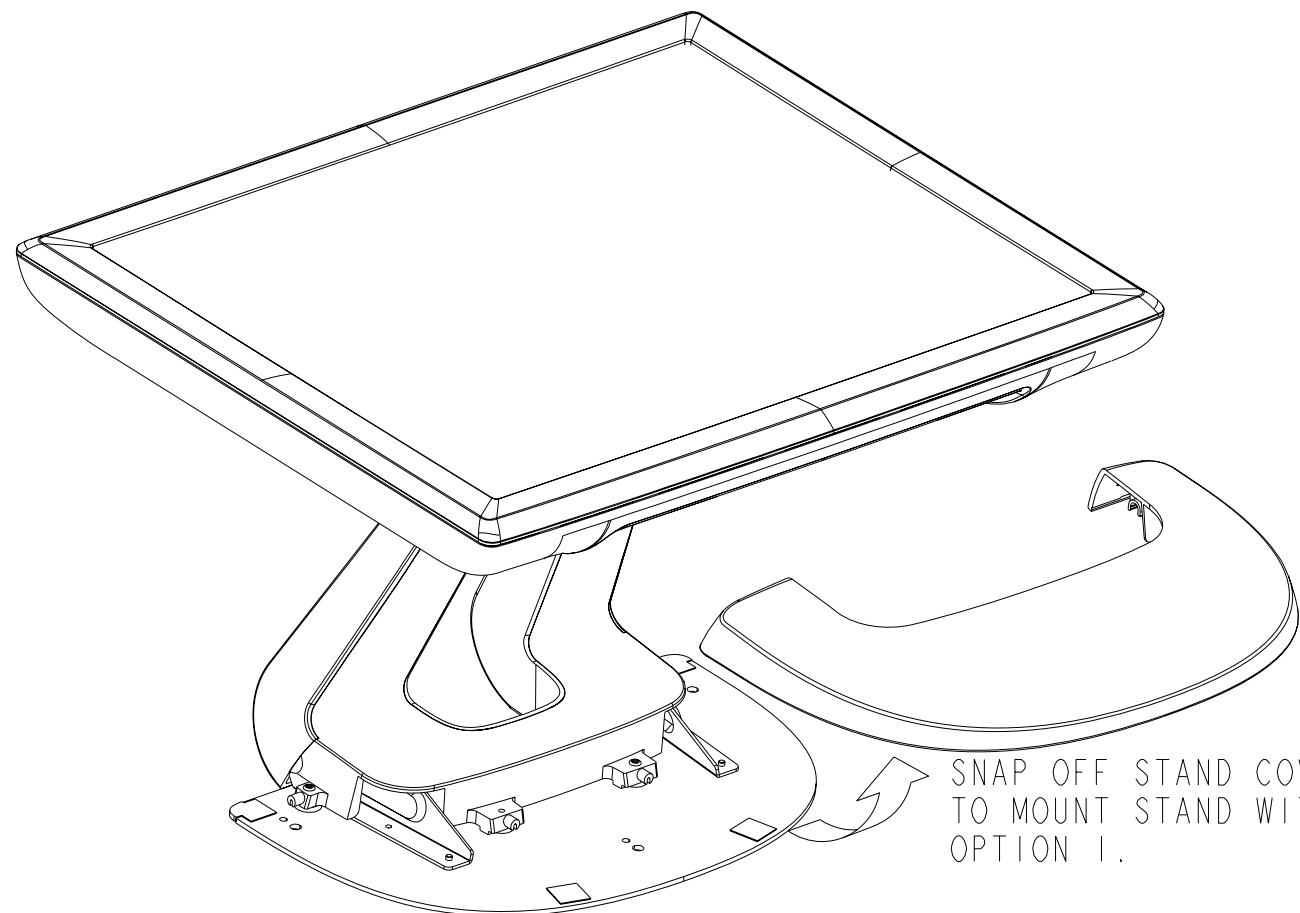
359



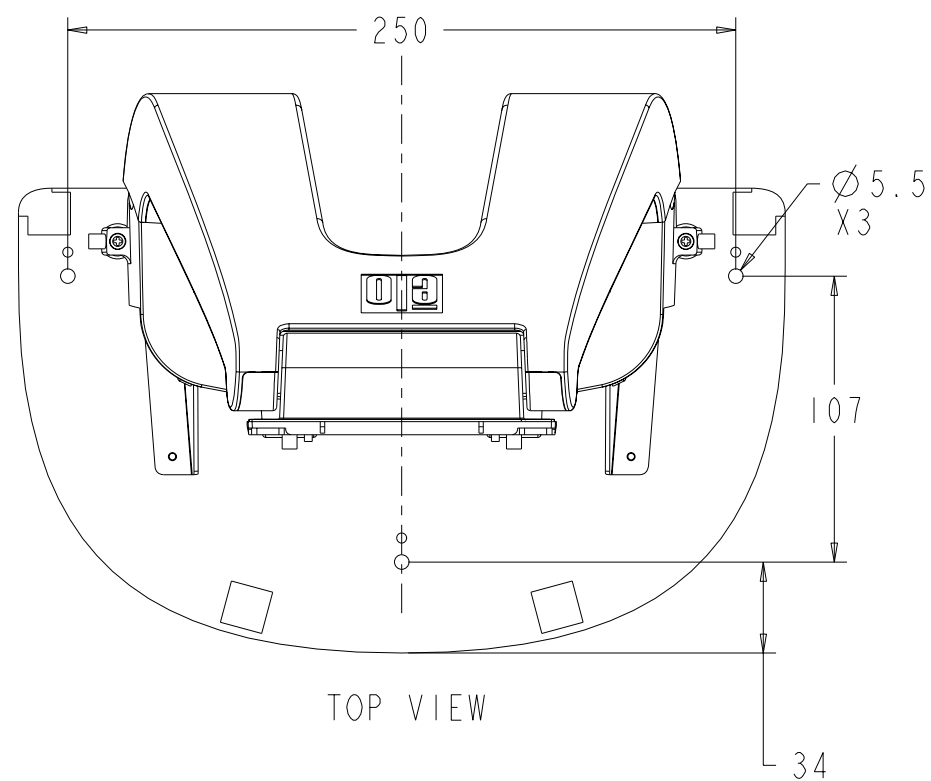
DIMENSIONS ARE IN MILLIMETERS/INCHES

SHEET 1 OF 3



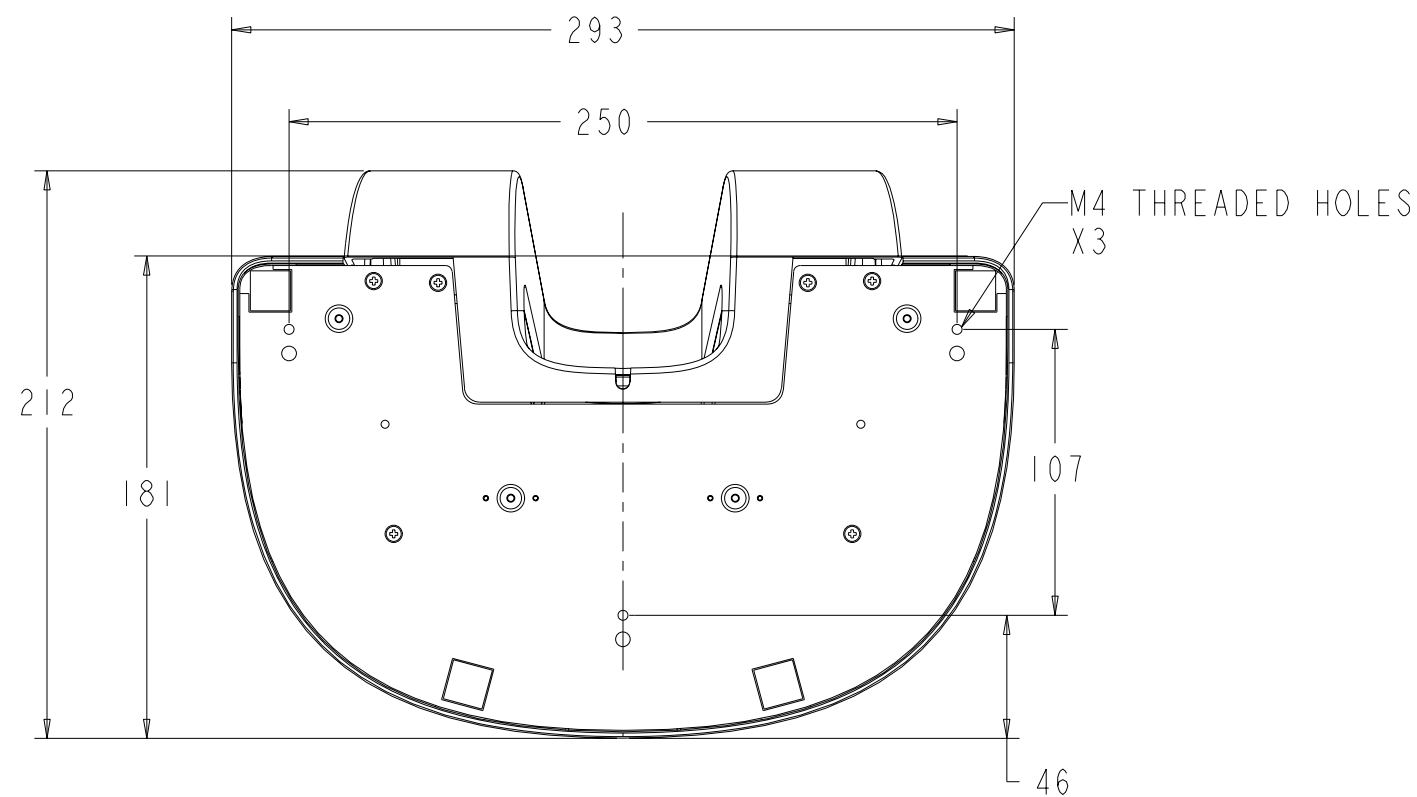


MOUNT OPTION 1



TOP VIEW

MOUNT OPTION 2

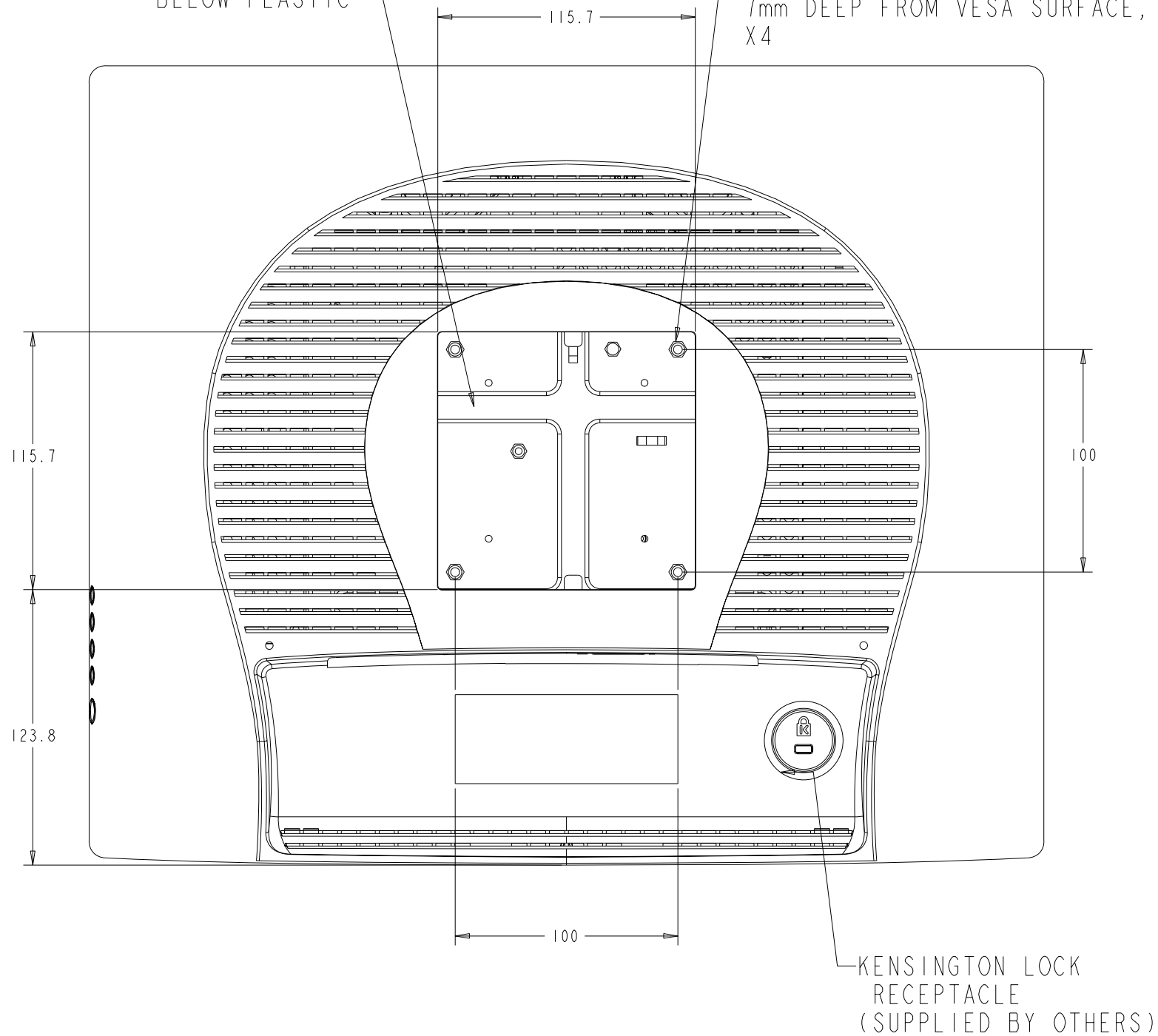


BOTTOM VIEW

VESA MOUNT

VESA MOUNTING SURFACE IS 5.6 MM BELOW PLASTIC

M4 THREAD, PHILIPS HEAD MOUNTING SCREWS 7mm DEEP FROM VESA SURFACE, X4



KENSINGTON LOCK RECEPTACLE (SUPPLIED BY OTHERS)

CONNECTOR PANEL

TOUCH-SCREEN CONNECTORS

