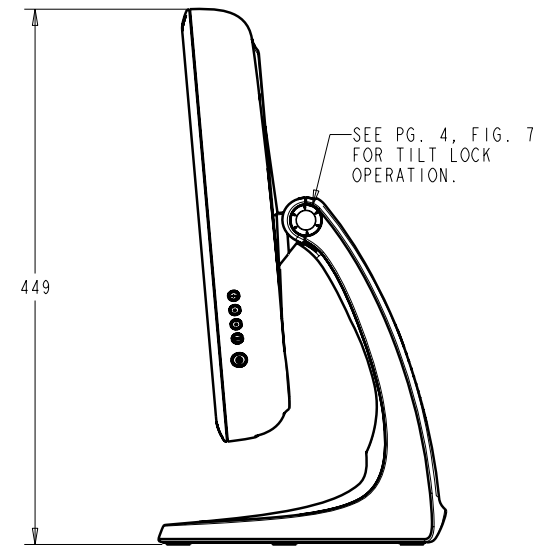
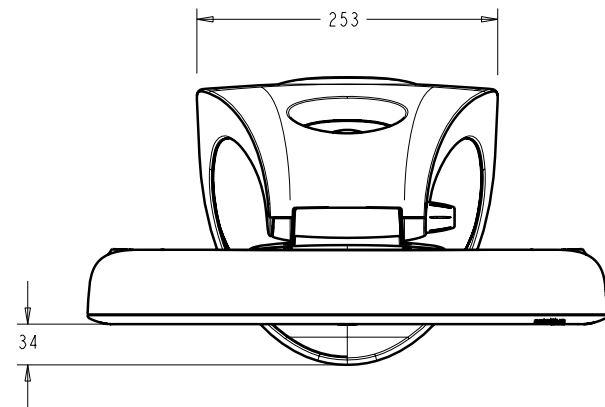
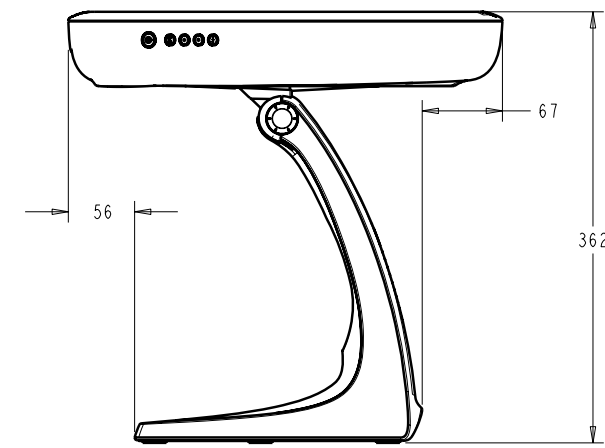


19" LCD DESKTOP MONITOR,
3000 SERIES, RoHS

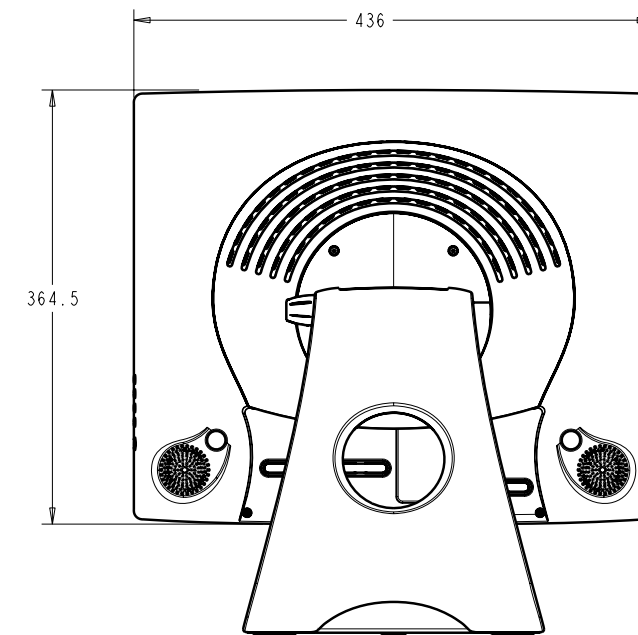
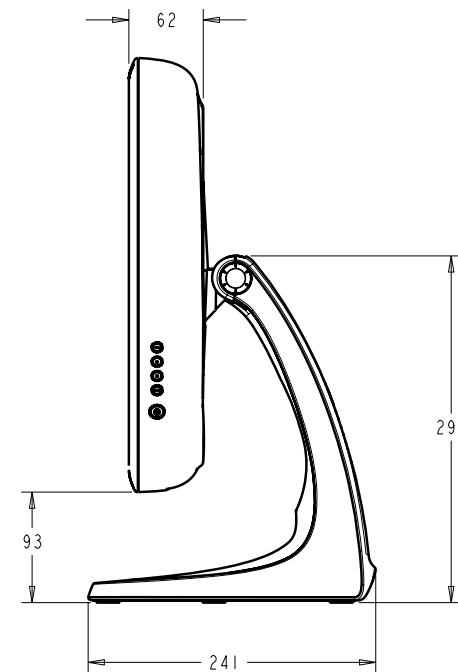
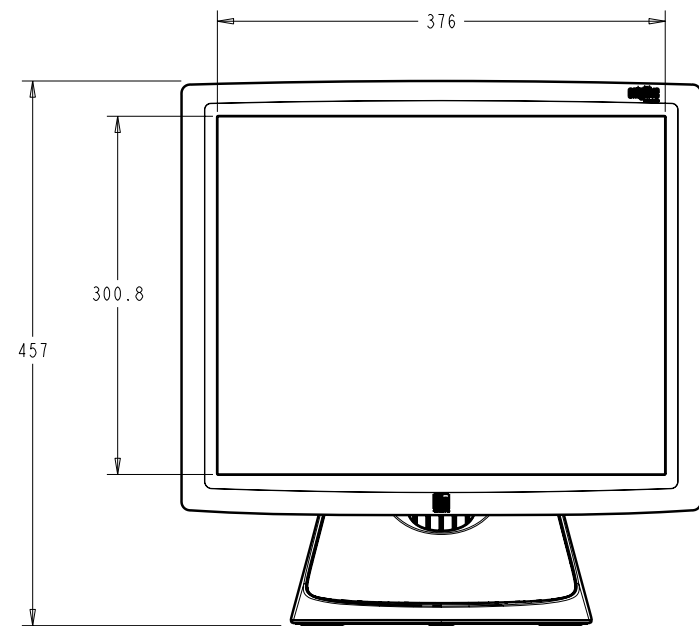
PART NUMBER TABULATION	
PIP NUMBER	PIP DESCRIPTION
E974307	ET1925L-7SWA-1-G
E776519	ET1925L-7UWA-1-G
E216794	ET1925L-8SWA-1-G
E960780	ET1925L-8UWA-1-G
E820608	ET1927L-7SWA-1-G
E319464	ET1927L-7UWA-1-G
E674496	ET1927L-8SWA-1-G
E367777	ET1927L-8UWA-1-G



FORWARD TILT - 5° FROM VERTICAL



AFT TILT - 90° FROM VERTICAL



DIMENSIONS ARE IN MILLIMETERS



19" LCD DESKTOP MONITOR,
3000 SERIES, RoHS

REMOVE THESE FOUR SCREWS
(RETAIN FOR REASSEMBLY)

VESA MOUNTING SURFACE IS LOCATED
8MM BELOW THE SURFACE OF THE PLASTIC

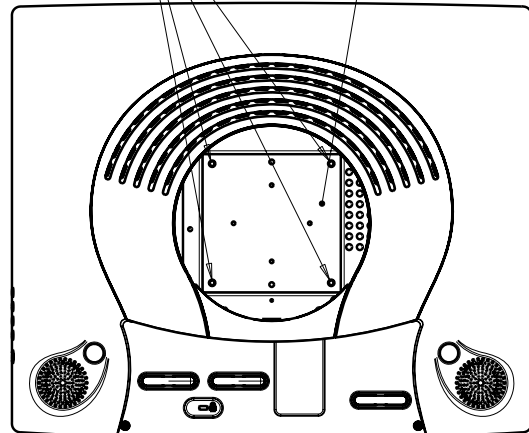


FIGURE 1: STAND AND DISPLAY SEPARATION
(BASE REMOVED FOR EASE OF VIEW)

MOUNTING TO A WALL:

1. REMOVE THE FOUR SCREWS IN ORDER TO SEPARATE THE STAND FROM THE MONITOR (SEE FIGURE 1).
2. ROTATE THE MONITOR 180° (SO MONITOR WILL NOT BE UPSIDE DOWN WHEN MOUNTED IN THE POSITION SHOWN).
3. REINSTALL THE FOUR SCREWS.
4. ROUTE CABLES THROUGH CUTOUT (IF APPLICABLE) AND MOUNT MONITOR TO WALL USING THE TEMPLATE PROVIDED IN FIGURE 2.

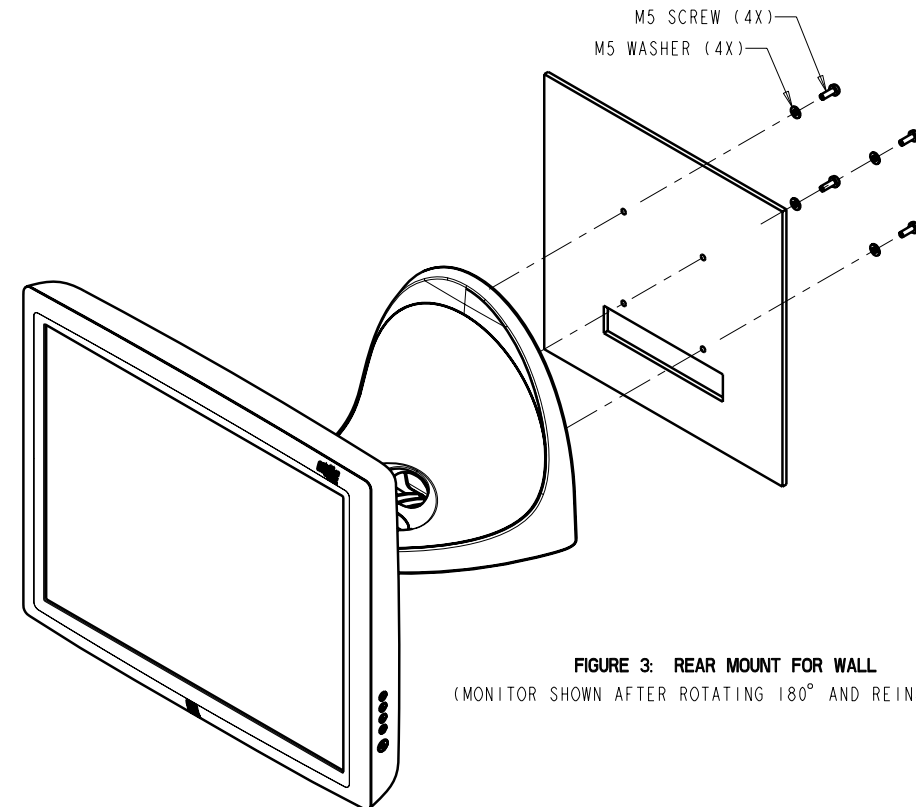


FIGURE 3: REAR MOUNT FOR WALL
(MONITOR SHOWN AFTER ROTATING 180° AND REINSTALLING)

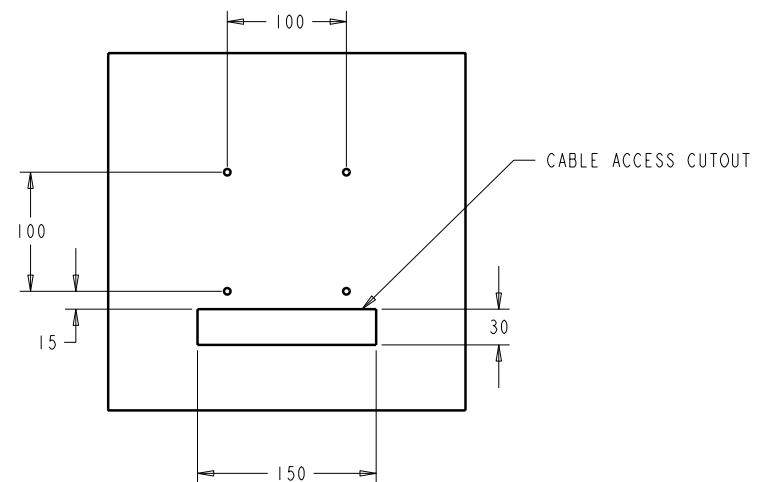


FIGURE 2: REAR MOUNT TEMPLATE

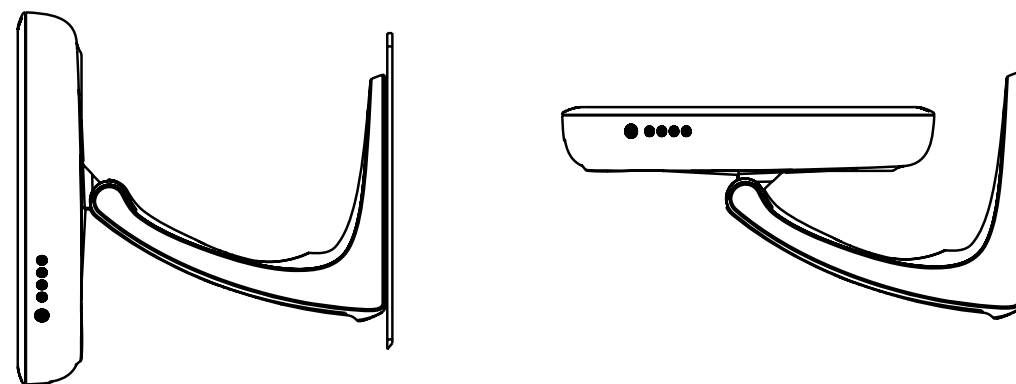


FIGURE 4: TILT FOR WALL MOUNT
TILT RANGE = 95°

DIMENSIONS ARE IN MILLIMETERS

19" LCD DESKTOP MONITOR,
3000 SERIES, RoHS

MOUNTING OPTION 2 - FRONT MOUNT:

1. REMOVE THE TWO SCREWS HOLDING THE FRONT COVER TO THE STAND (SEE FIGURE 5). RETAIN SCREWS FOR REASSEMBLY.
2. ROUTE CABLES THROUGH CUTOUT (IF APPLICABLE) AND MOUNT MONITOR TO HORIZONTAL SURFACE USING THE TEMPLATE PROVIDED IN FIGURE 4.
3. REASSEMBLE FRONT COVER.
4. SEE OPTION (1) FOR ADDITIONAL STEPS ON WALL MOUNT.

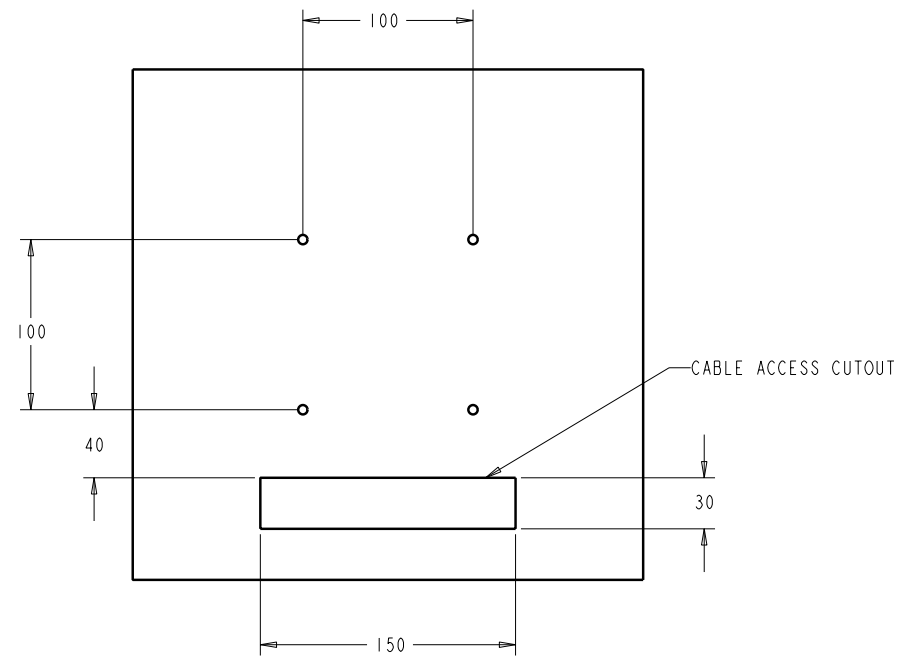


FIGURE 5: FRONT MOUNT TEMPLATE

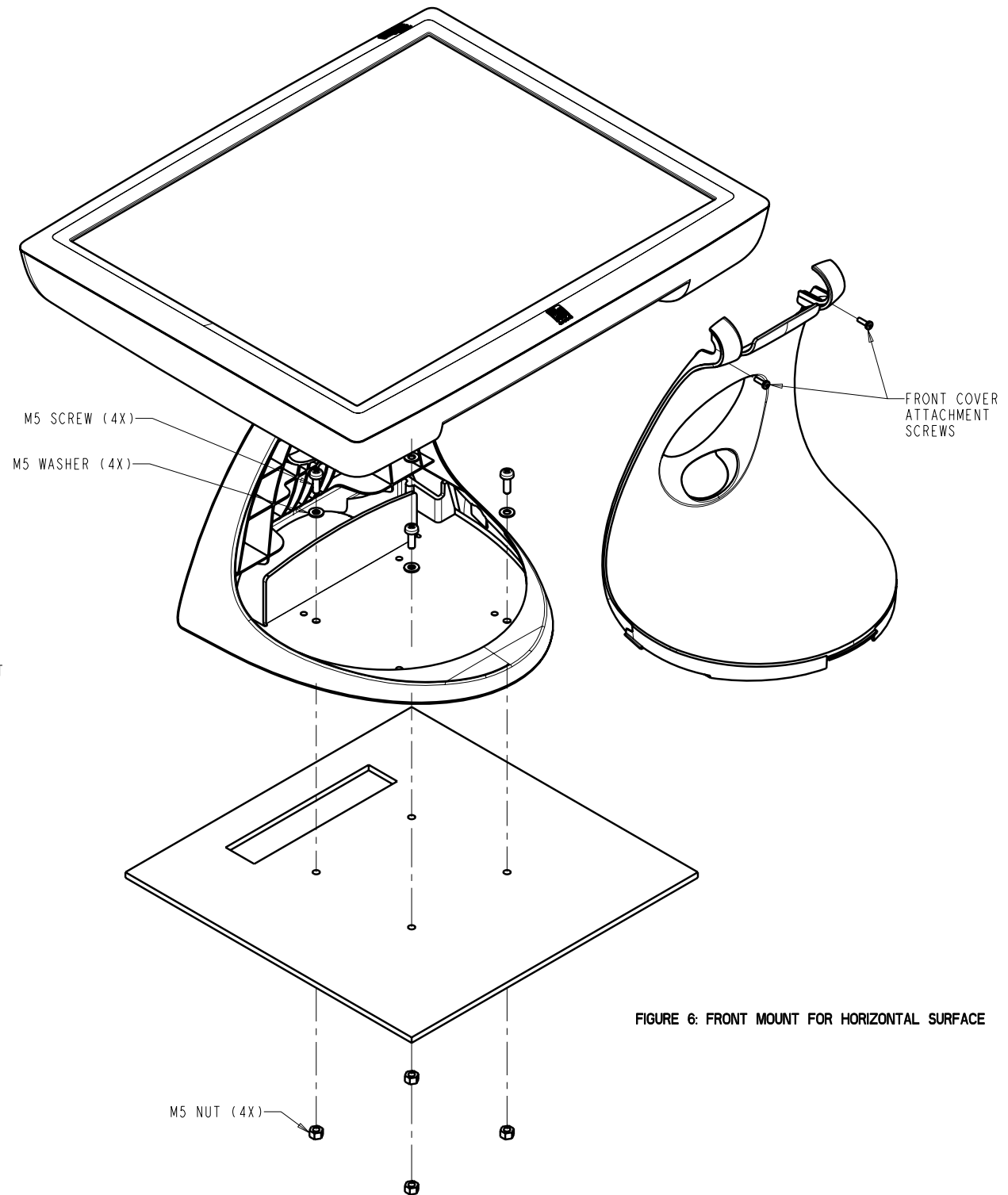


FIGURE 6: FRONT MOUNT FOR HORIZONTAL SURFACE

DIMENSIONS ARE IN MILLIMETERS

19" LCD DESKTOP MONITOR,
3000 SERIES, RoHS

FIGURE 8: VERTICAL/PORTRAIT DISPLAY ORIENTATION
SEE "MOUNTING TO A WALL", PG.2, FOR
INSTUCTIONS IN HEAD REMOVAL/ROTATION.

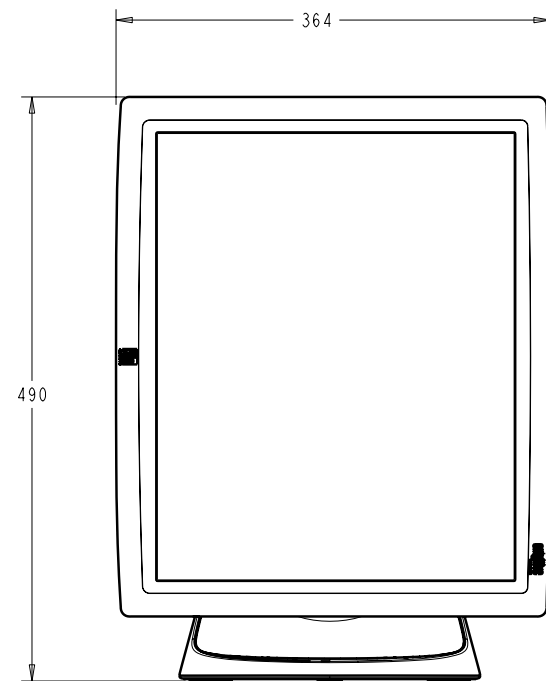
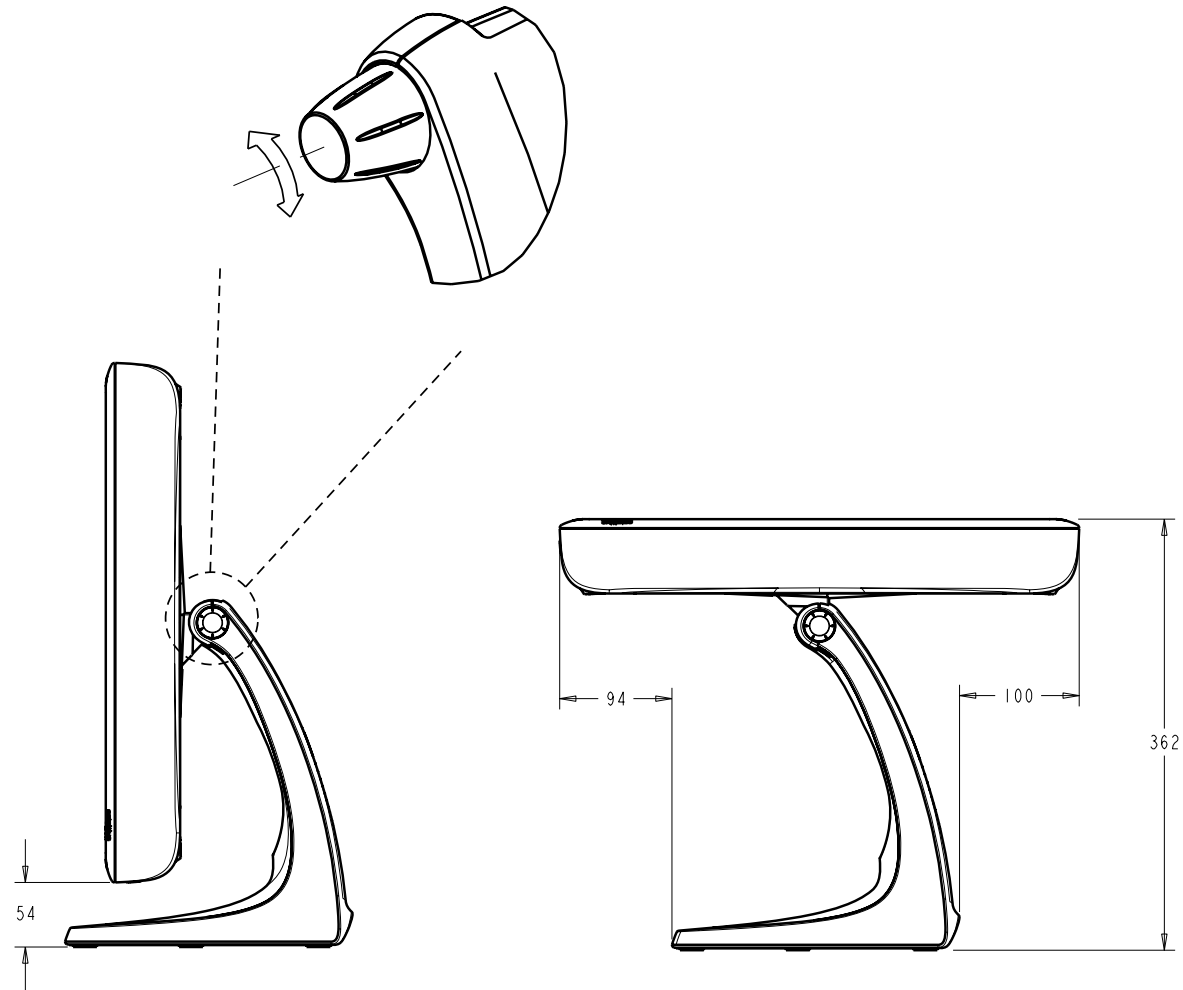


FIGURE 7: TILT LOCK OPERATION
1. PIVOT DISPLAY TO DESIRED ANGLE.
2. ROTATE KNOB ~1 TURN CLOCKWISE TO LOCK.
3. ROTATE KNOB ~1 TURN COUNTER-CLOCKWISE TO UN-LOCK.



AFT TILT - 90° FROM VERTICAL

DIMENSIONS ARE IN MILLIMETERS

19" LCD DESKTOP MONITOR,
3000 SERIES, RoHS

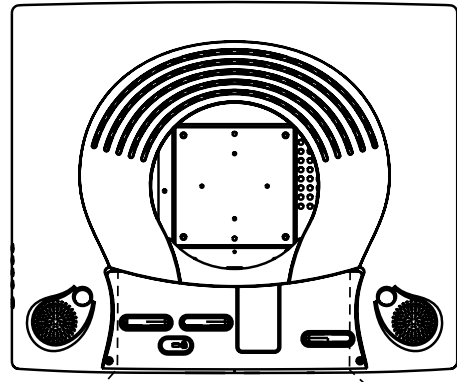


FIGURE 9: SERIAL OPTION

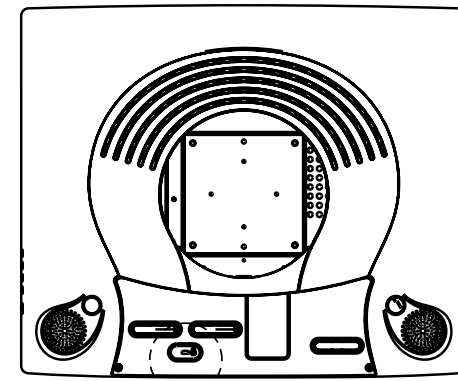


FIGURE 11: KENSINGTON LOCK DETAIL

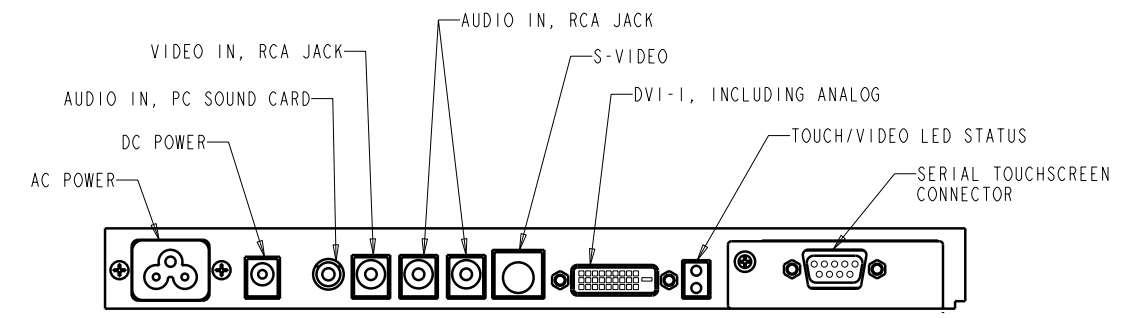
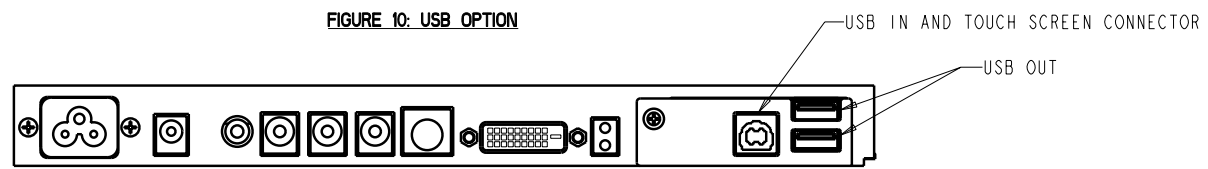
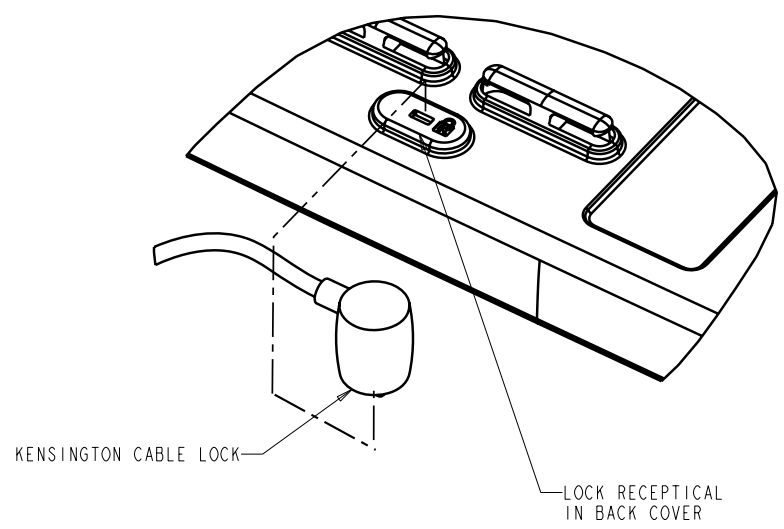


FIGURE 10: USB OPTION



- CABLES INCLUDED:**
- DVI VIDEO CABLE
 - DVI-I TO DB15 - ANALOG VIDEO CABLE
 - RCA VIDEO CABLES
 - S-VIDEO CABLE
 - TOUCH CABLE - SERIAL OR USB
 - AUDIO CABLE
 - POWER CABLE USA AND EUROPE



DIMENSIONS ARE IN MILLIMETERS

elo
TOUCHSYSTEMS
MS600195
DATE: 01.10.06
REV: A