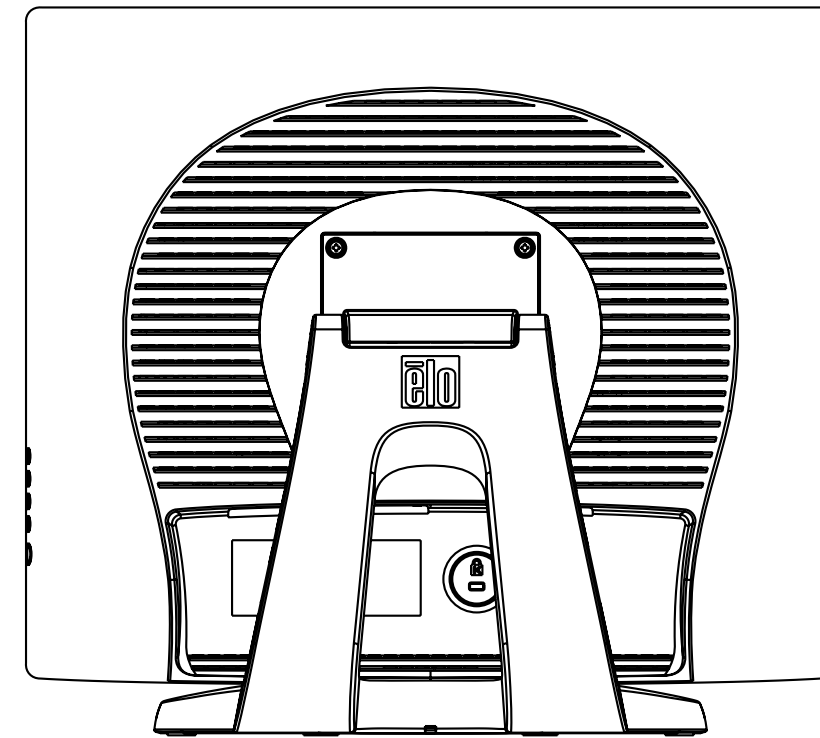
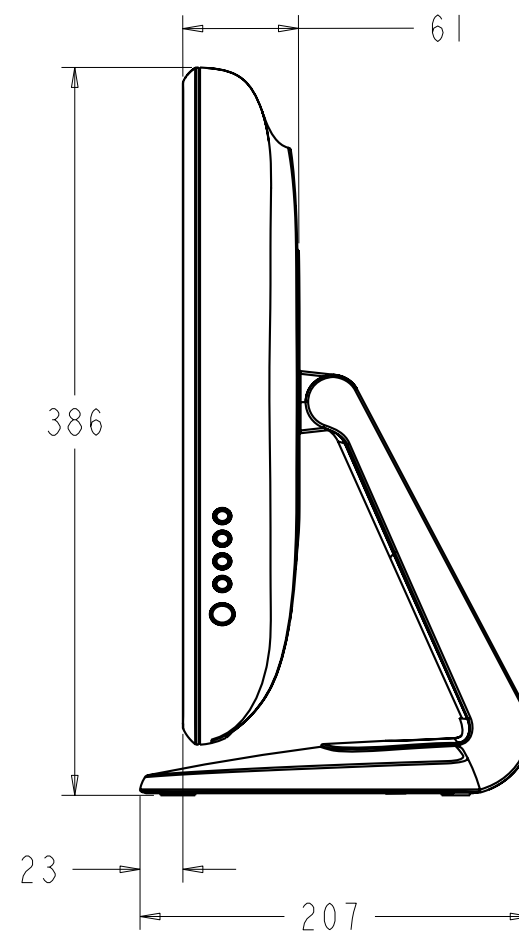
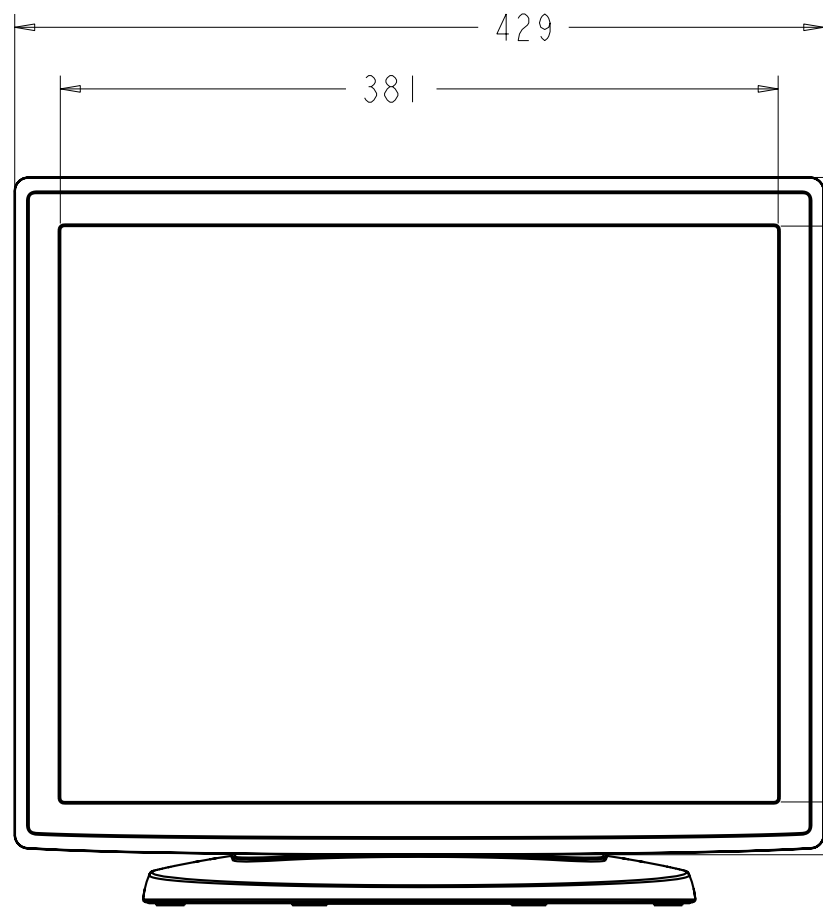
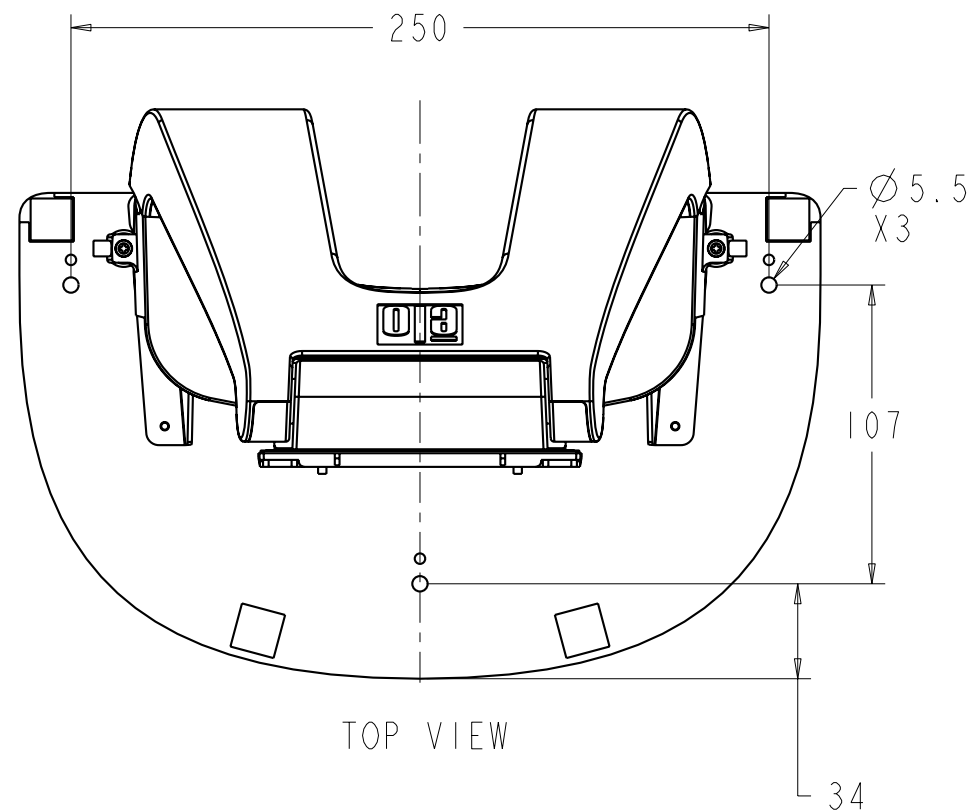
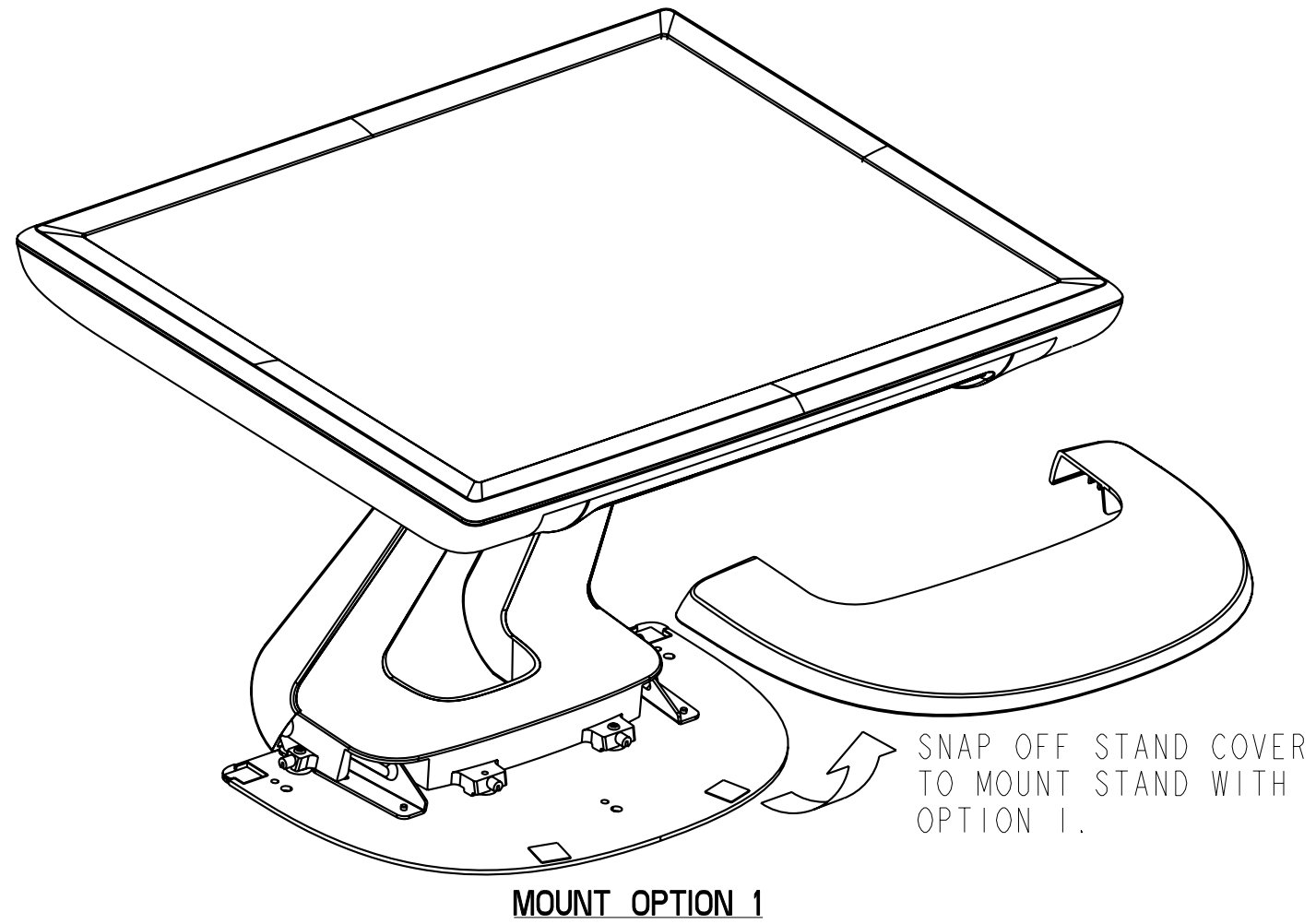


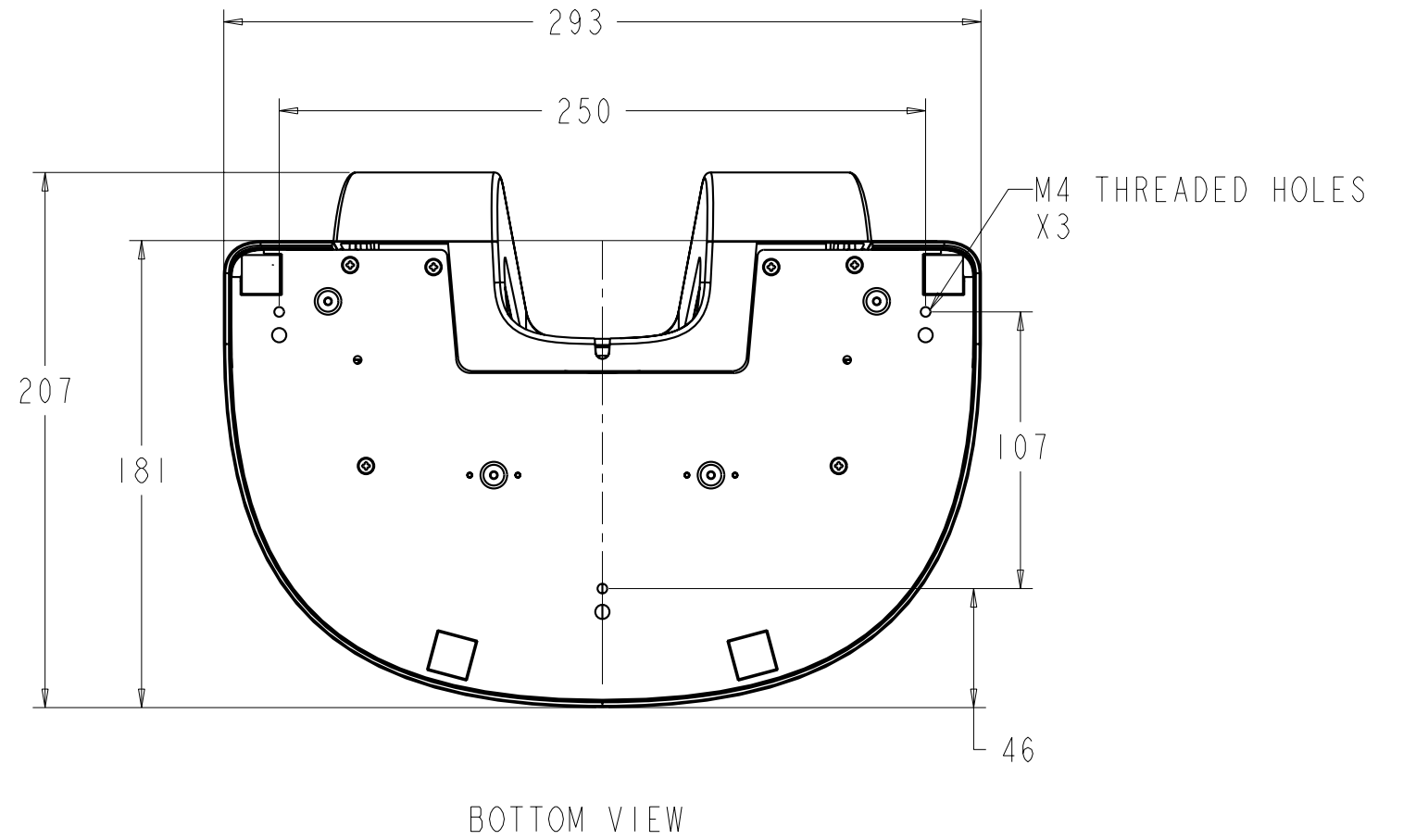
TILT -5° FROM VERTICAL

TILT 90° FROM VERTICAL





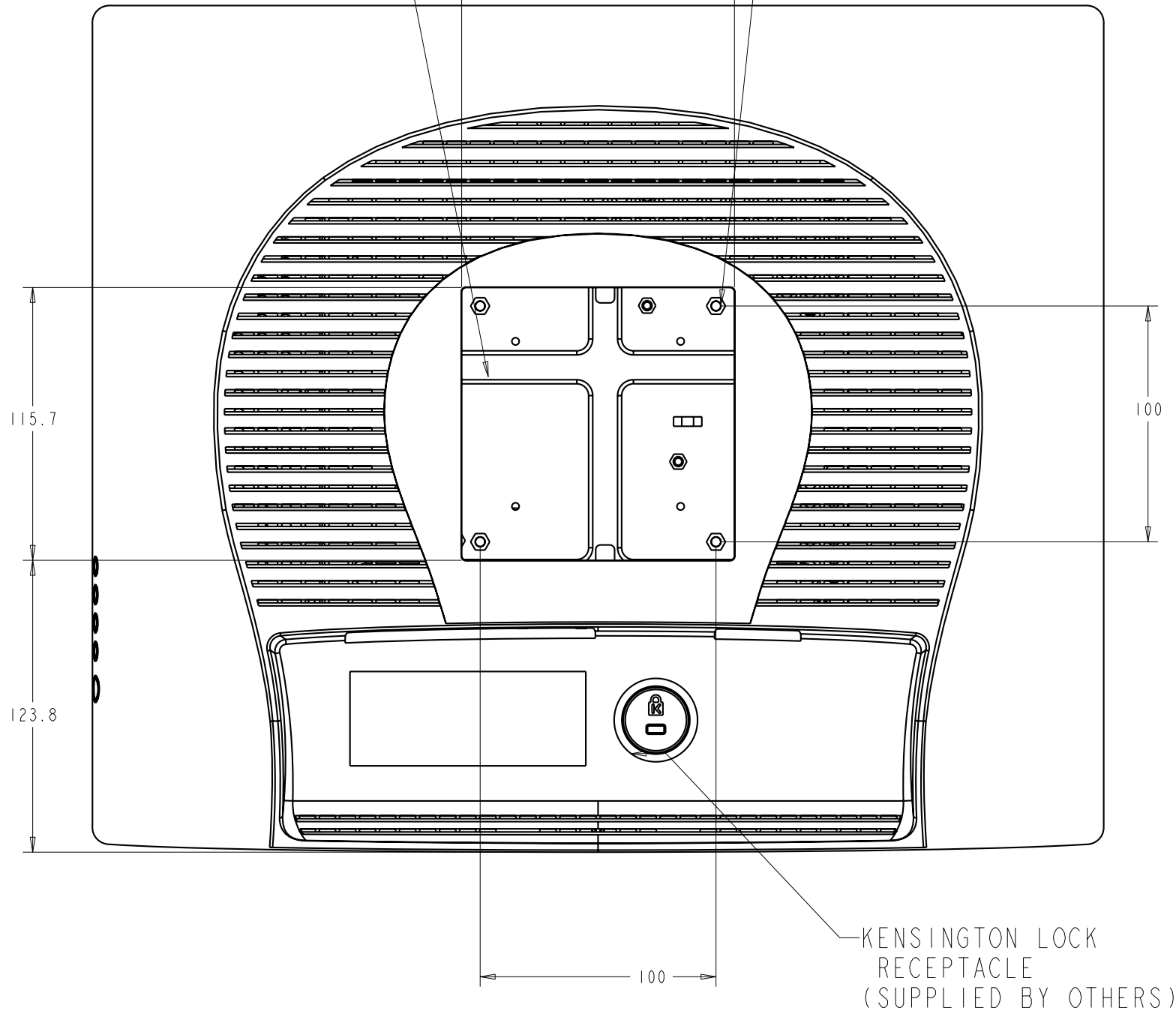
MOUNT OPTION 2



VESA MOUNT

VESA MOUNTING SURFACE IS 5.6 MM BELOW PLASTIC

M4 THREAD, 7mm DEEP FROM VESA SURFACE, X4



KENSINGTON LOCK RECEPTACLE (SUPPLIED BY OTHERS)

CONNECTOR PANEL

