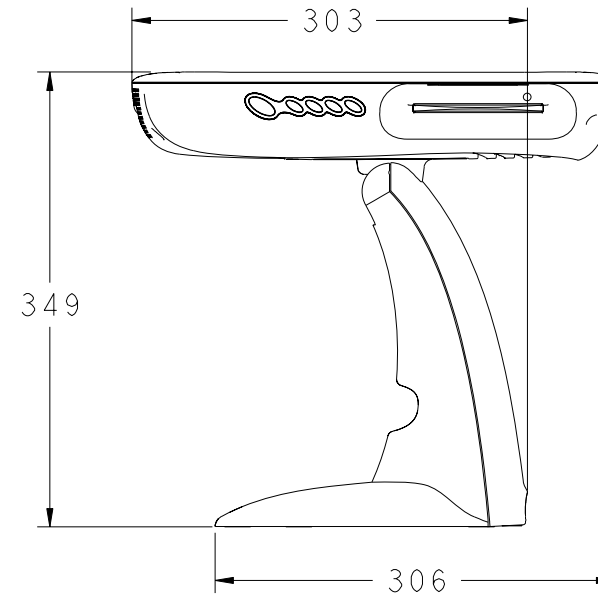
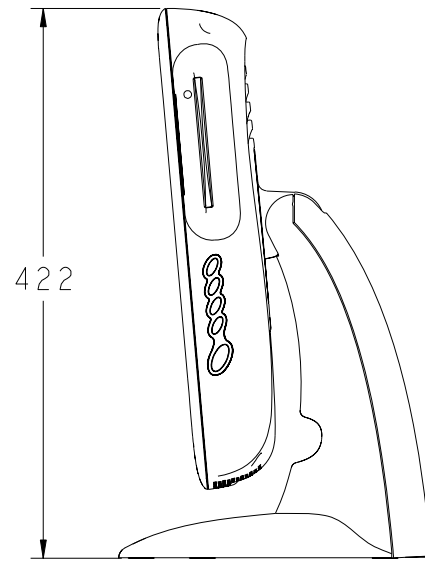
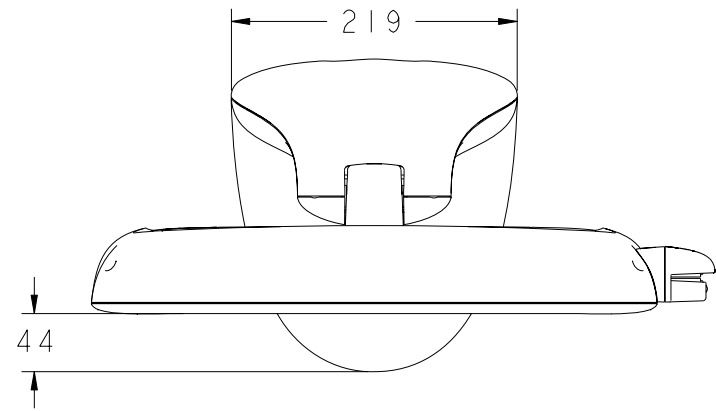


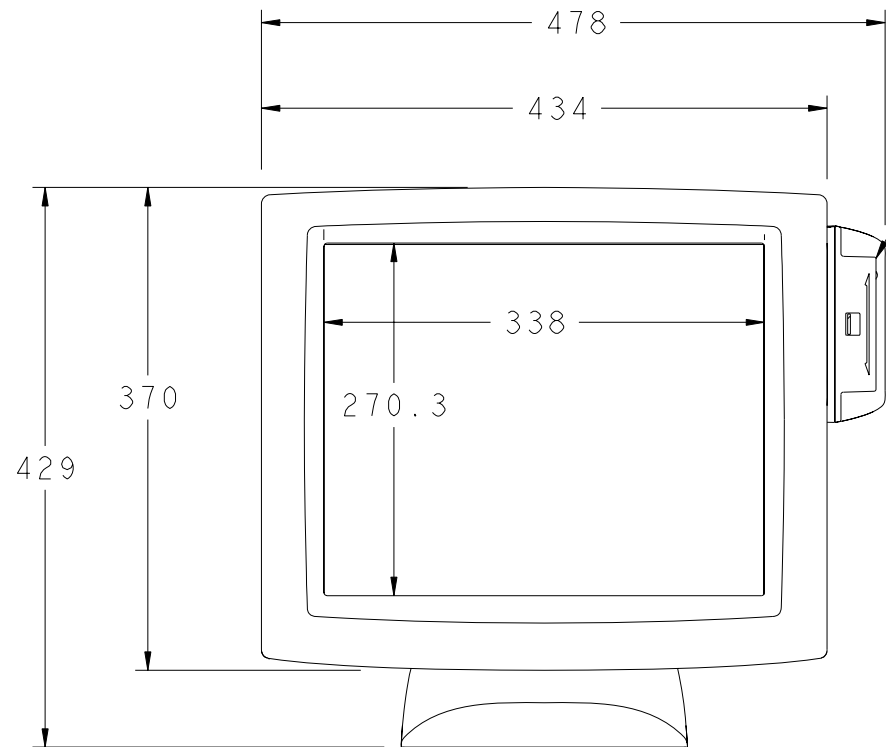
17" LCD DESKTOP MONITOR, 3000 SERIES

PART NUMBER	DESCRIPTION
E103047	ET1725L-7CWF-I-G
E996245	ET1725L-7CWF-I-NL-G
E326261	ET1725L-8CWF-I-G
E136536	ET1725L-8CWF-I-NL-G
E485026	ET1725L-0NWF-I-G
E757512	ET1725L-7SWF-I-MSR-G
E696582	ET1725L-7UWF-I-MSR-G
E679933	ET1725L-7UWF-I-MSRKB-G
E739238	ET1725L-8SWF-I-MSR-G
E364393	ET1725L-8UWF-I-MSR-G
E294838	ET1725L-8UWF-I-MSRKB-G
E993101	ET1727L-7CWF-I-G
E157880	ET1727L-8CWF-I-G
E340197	ET1727L-0NWF-I-G
E543211	ET1727L-3CWF-I-G

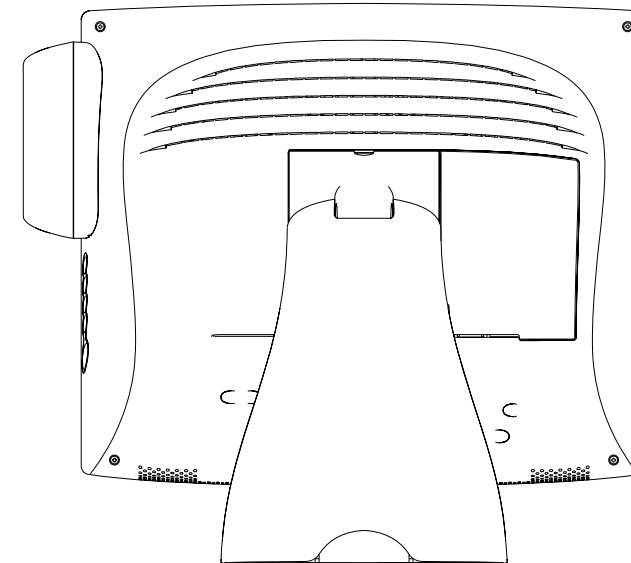
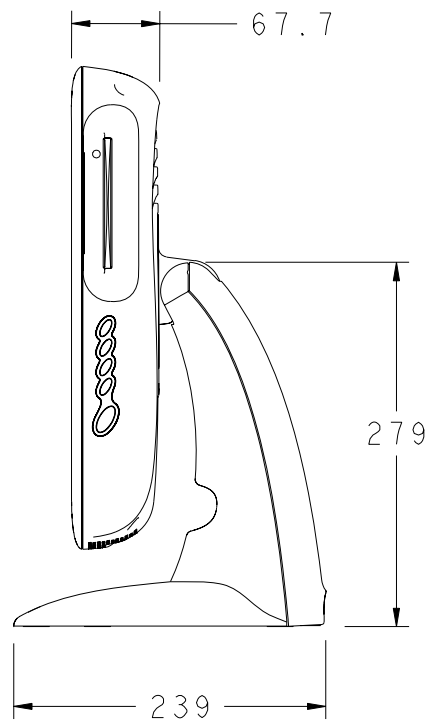


FORWARD TILT - 5° FROM VERTICAL

AFT TILT - 90° FROM VERTICAL



MSR OPTION



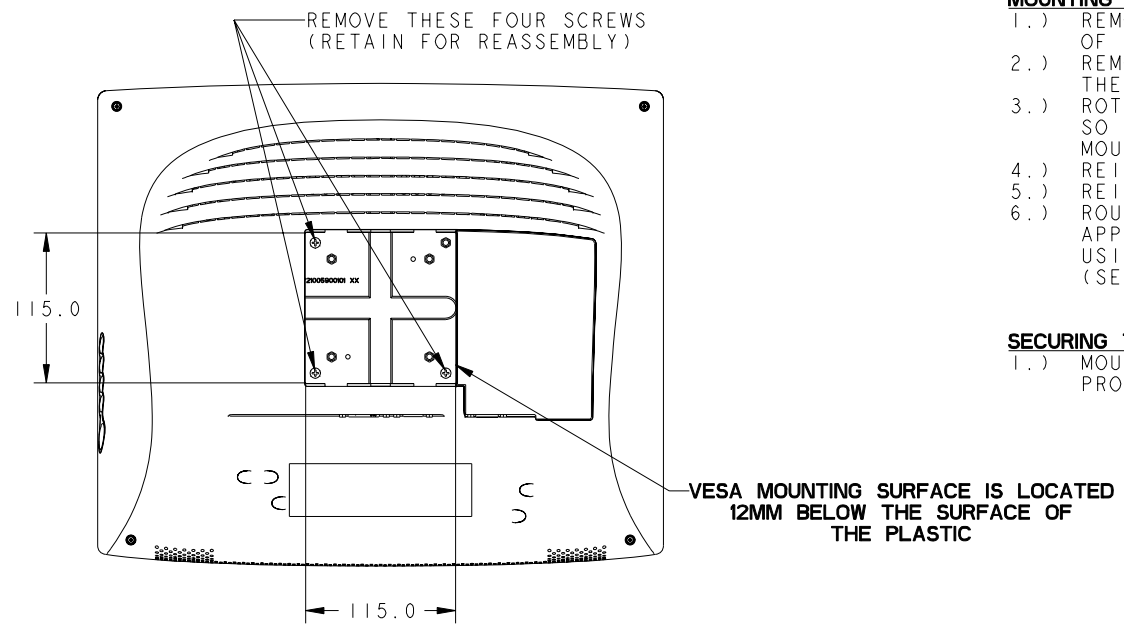
NOTE: INTERNAL MSR CABLE FOR USB VERSION ONLY!

DIMENSIONS ARE IN MILLIMETERS



17" DESKTOP MONITOR MOUNTING OPTIONS

FIGURE 1) STAND AND DISPLAY SEPARATION
(BASE REMOVED FOR EASE OF VIEW)



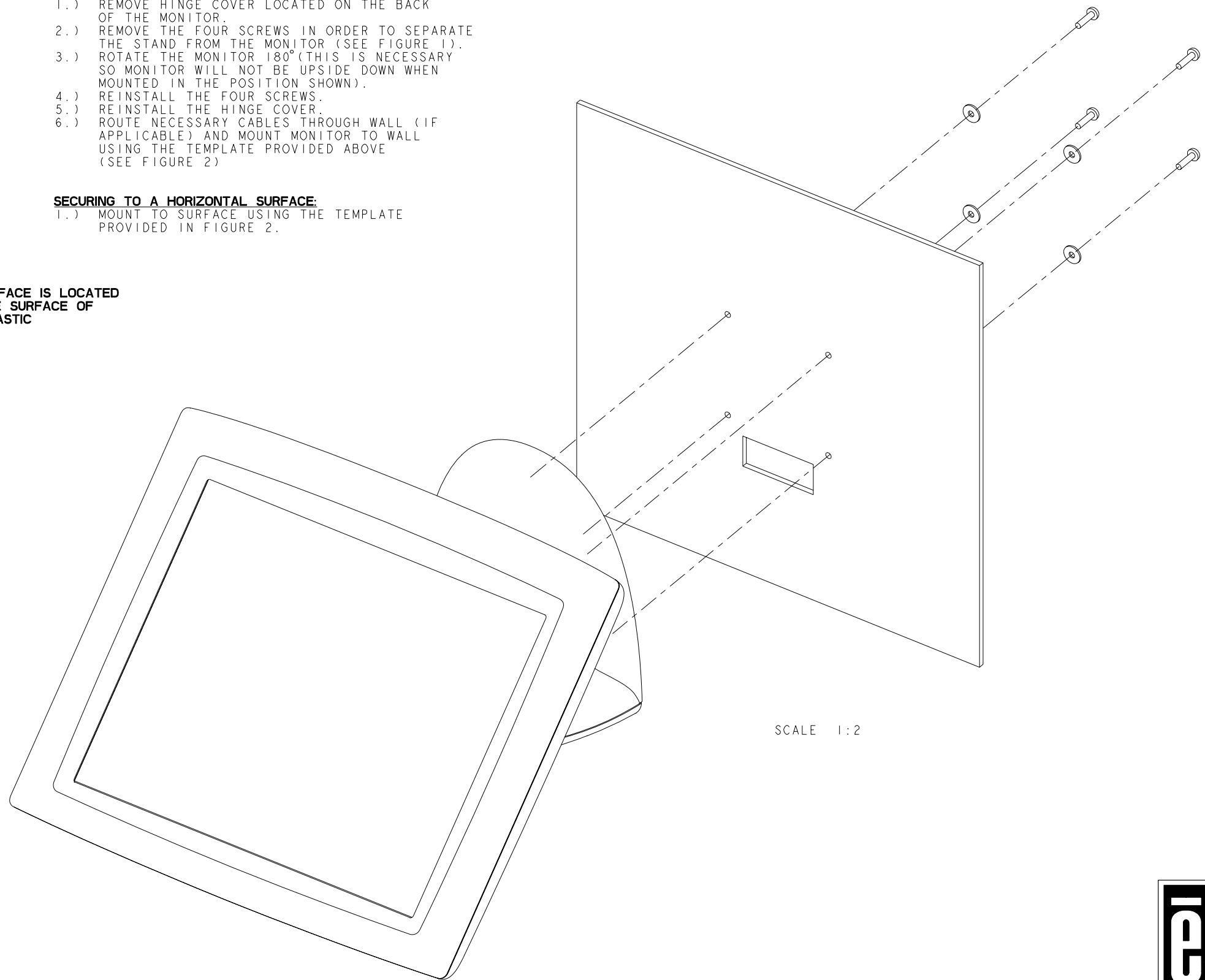
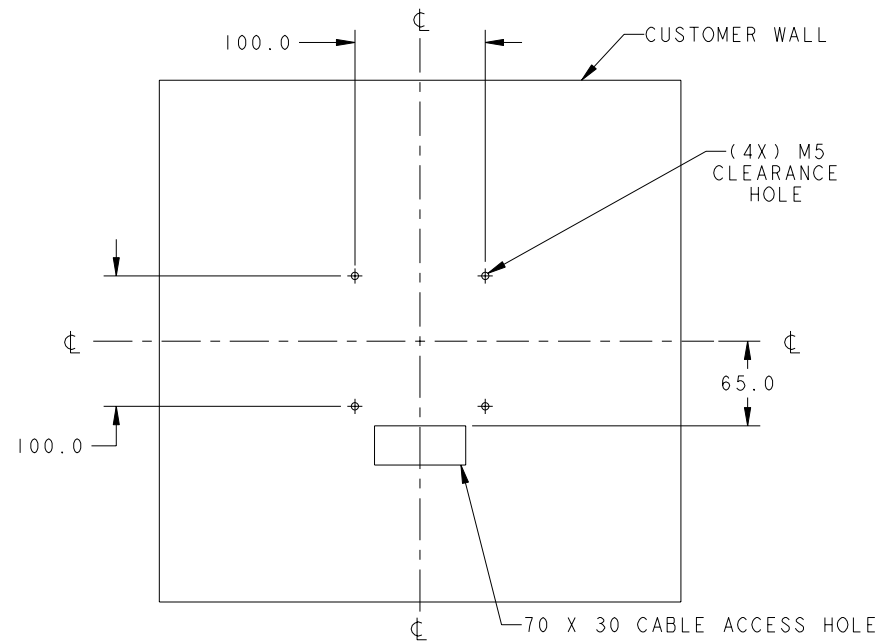
MOUNTING TO A WALL:

- 1.) REMOVE HINGE COVER LOCATED ON THE BACK OF THE MONITOR.
- 2.) REMOVE THE FOUR SCREWS IN ORDER TO SEPARATE THE STAND FROM THE MONITOR (SEE FIGURE 1).
- 3.) ROTATE THE MONITOR 180° (THIS IS NECESSARY SO MONITOR WILL NOT BE UPSIDE DOWN WHEN MOUNTED IN THE POSITION SHOWN).
- 4.) REINSTALL THE FOUR SCREWS.
- 5.) REINSTALL THE HINGE COVER.
- 6.) ROUTE NECESSARY CABLES THROUGH WALL (IF APPLICABLE) AND MOUNT MONITOR TO WALL USING THE TEMPLATE PROVIDED ABOVE (SEE FIGURE 2)

SECURING TO A HORIZONTAL SURFACE:

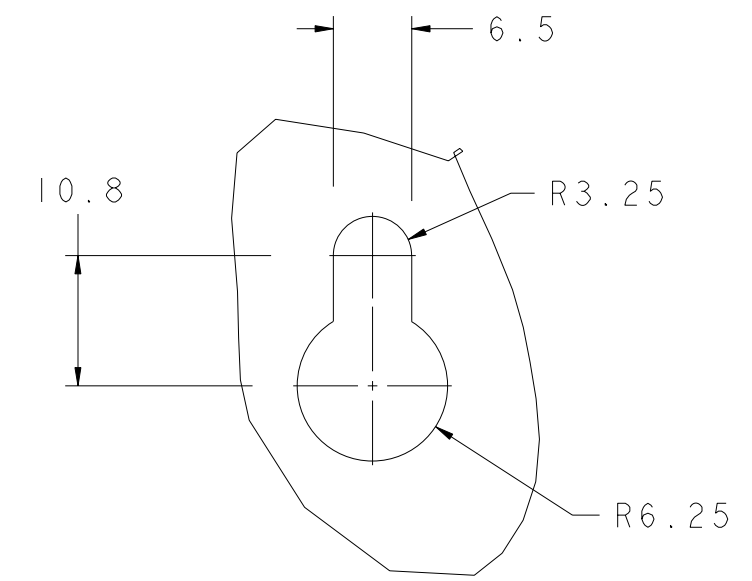
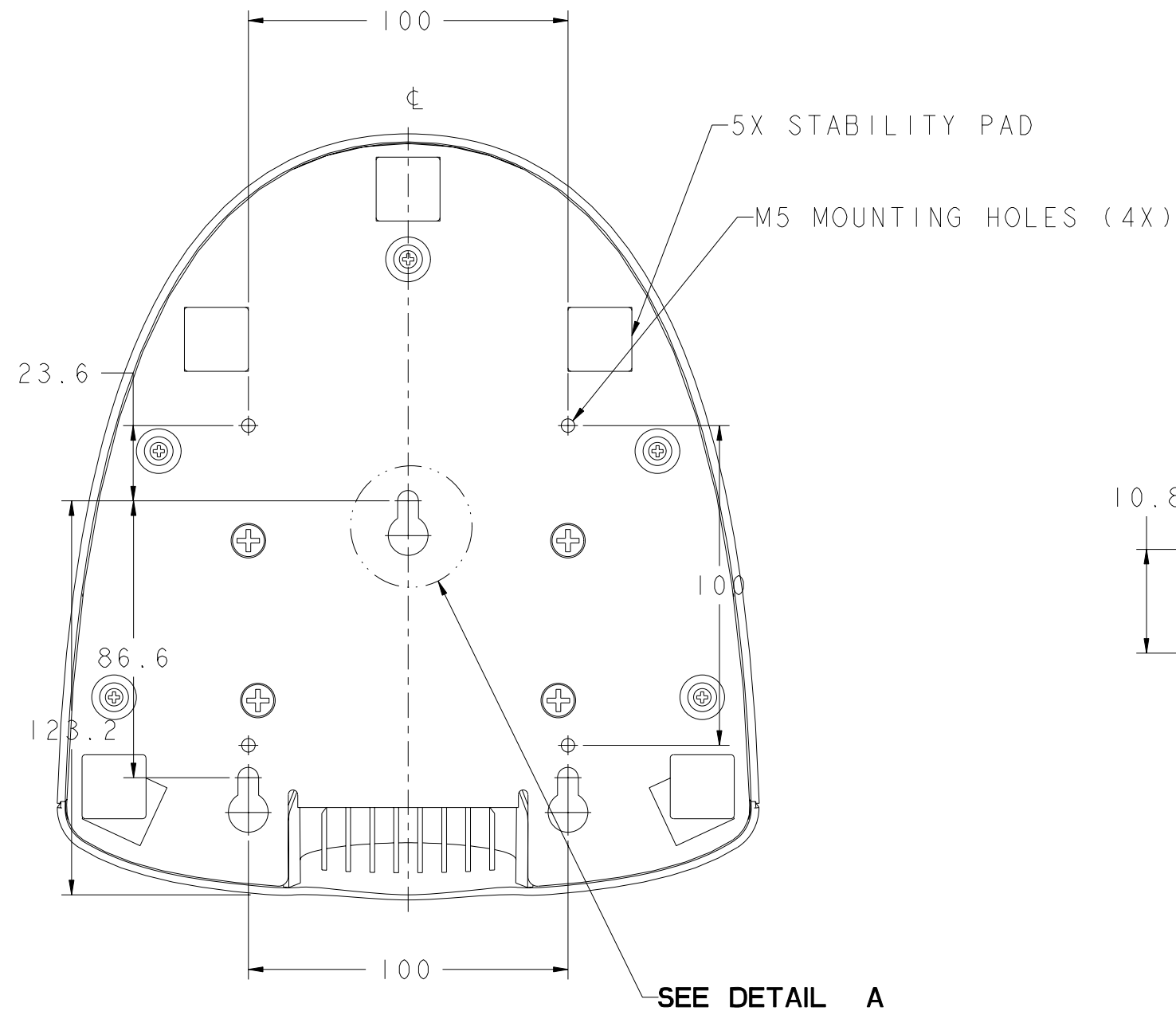
- 1.) MOUNT TO SURFACE USING THE TEMPLATE PROVIDED IN FIGURE 2.

FIGURE 2) WALL MOUNT/ SURFACE MOUNT TEMPLATE



DIMENSIONS ARE IN MILLIMETERS

17" DESKTOP MONITOR MOUNTING OPTIONS



DETAIL A
SCALE 3:1

BASE BOTTOM

DIMENSIONS ARE IN MILLIMETERS/INCHES