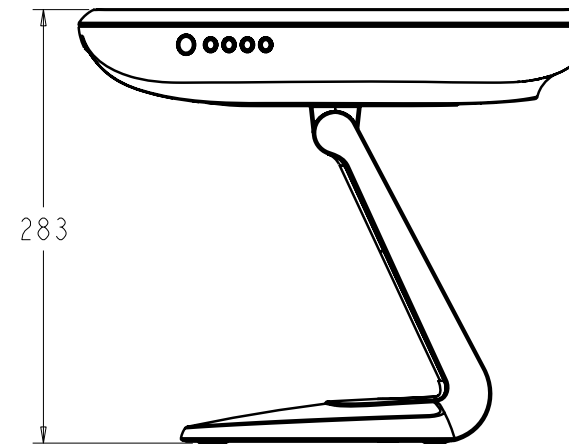
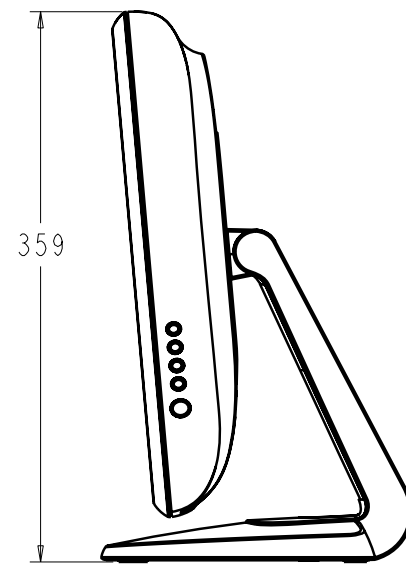
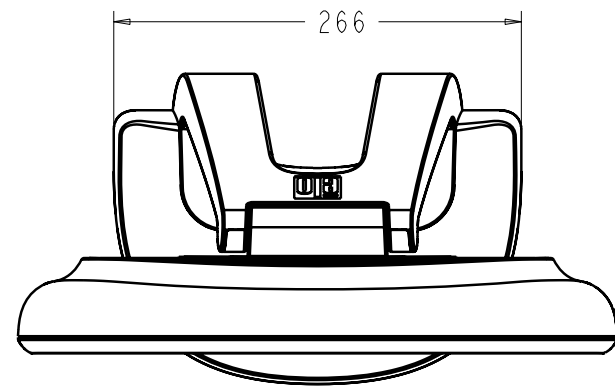
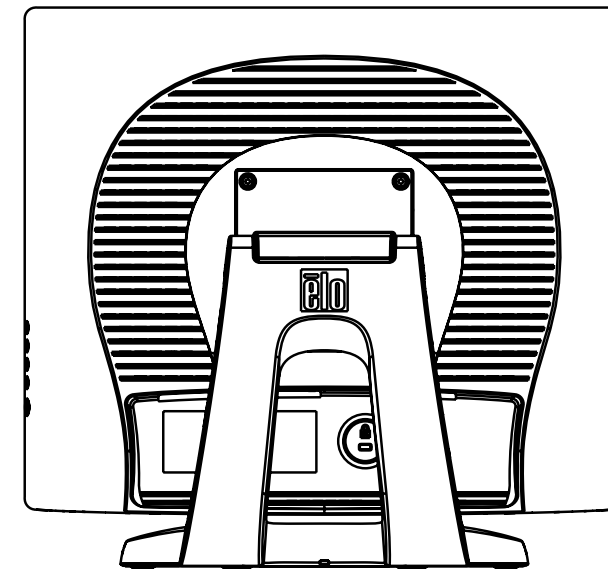
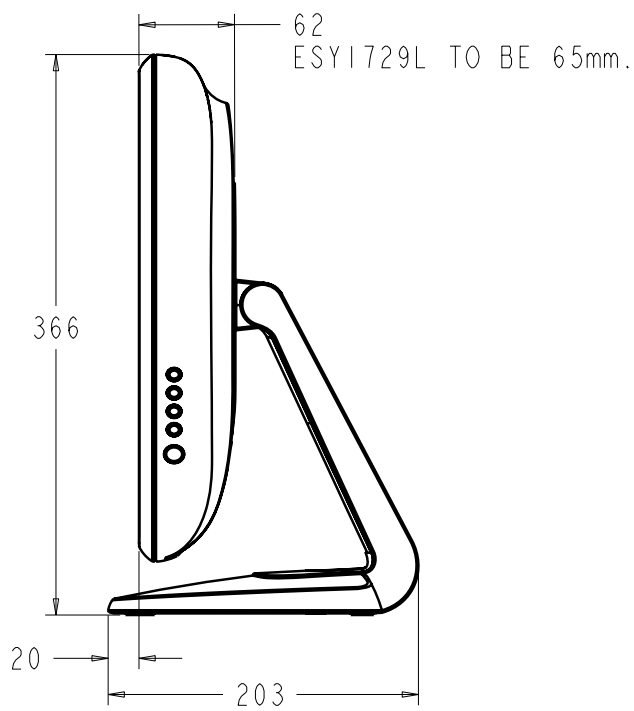
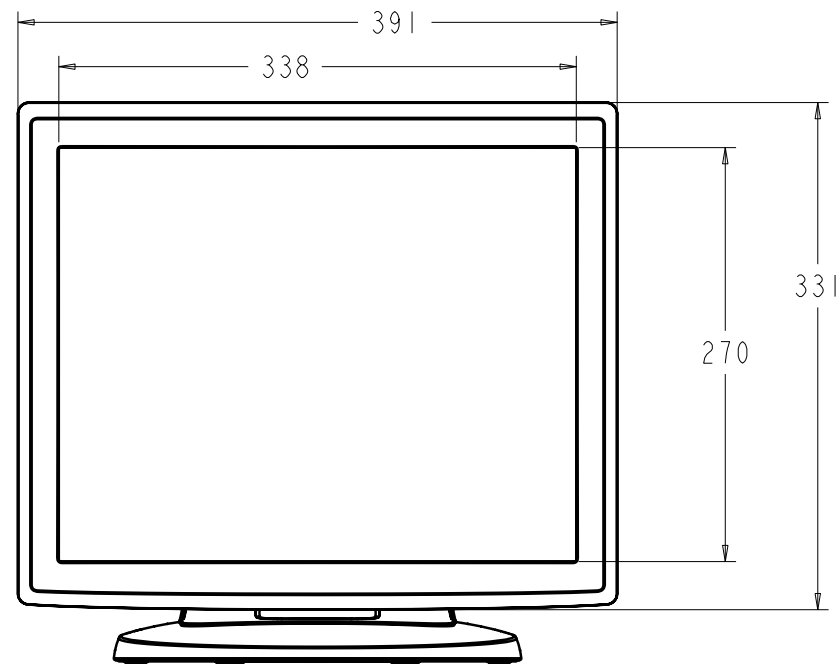


TITLE: ET1715L



TILT -5° FROM VERTICAL

TILT 90° FROM VERTICAL

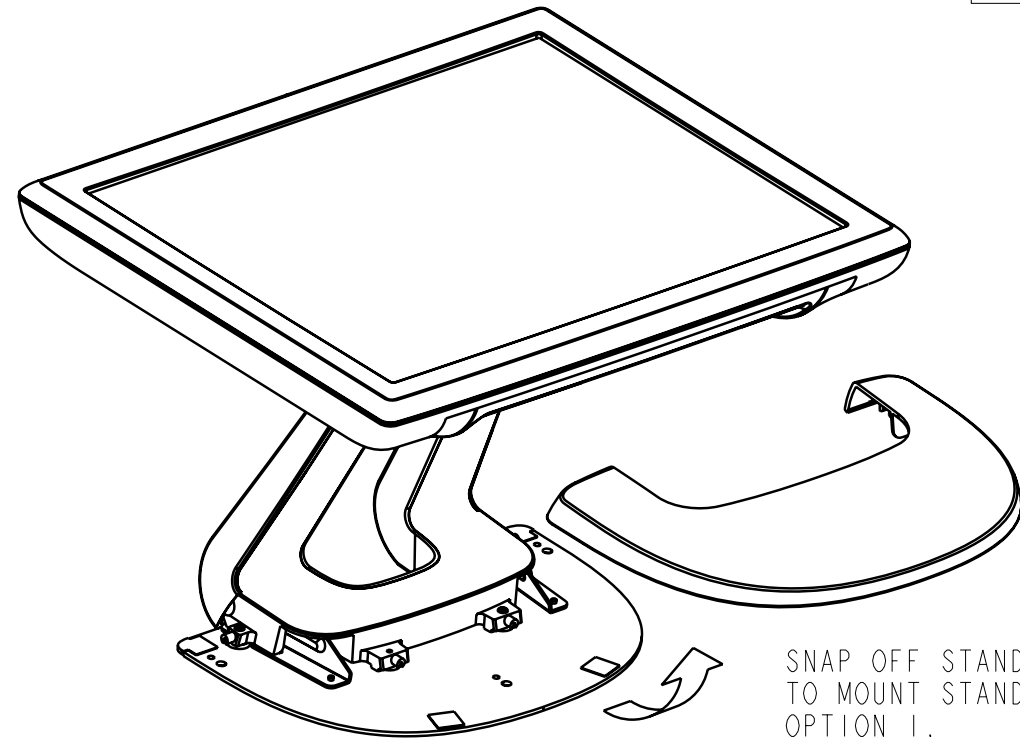


DIMENSIONS ARE IN MILLIMETERS/INCHES

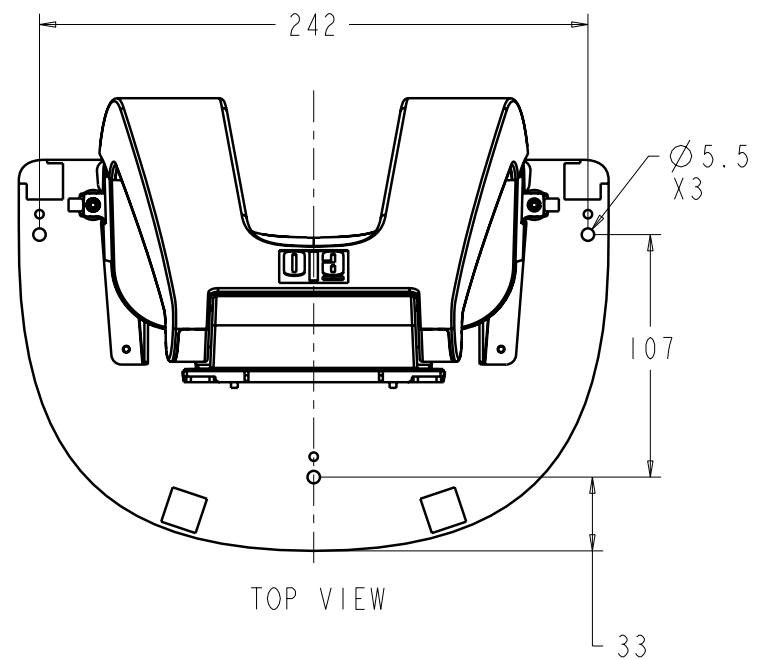
SHEET 1 OF 3



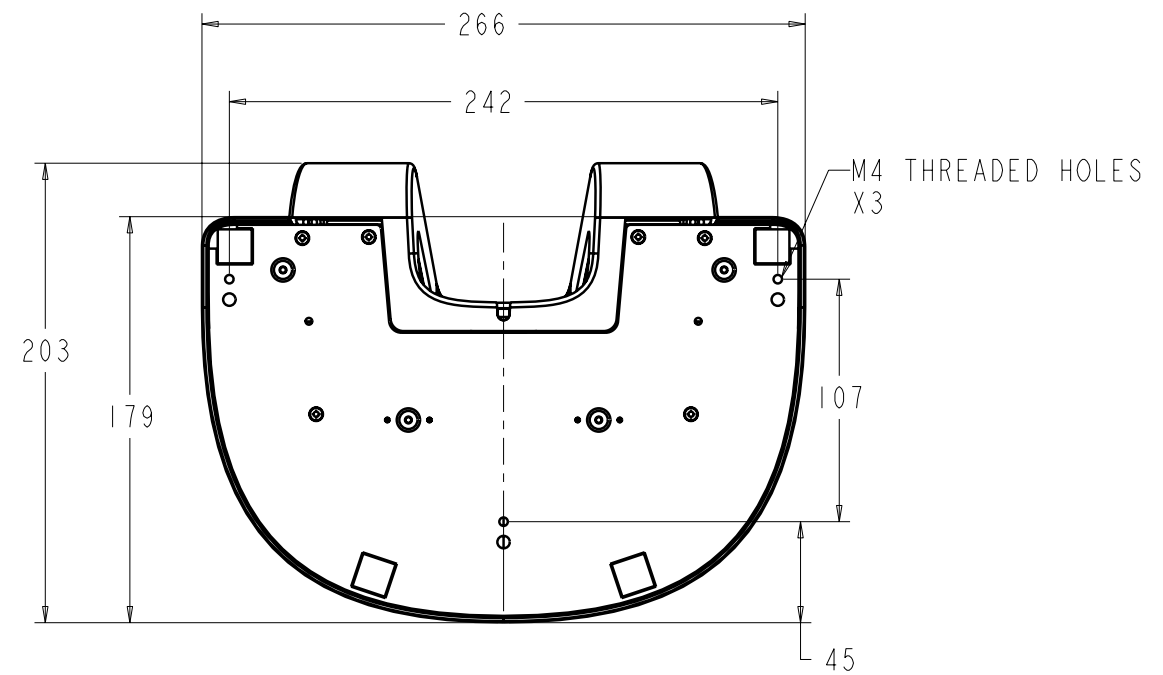
TITLE: ET1715L



MOUNT OPTION 1



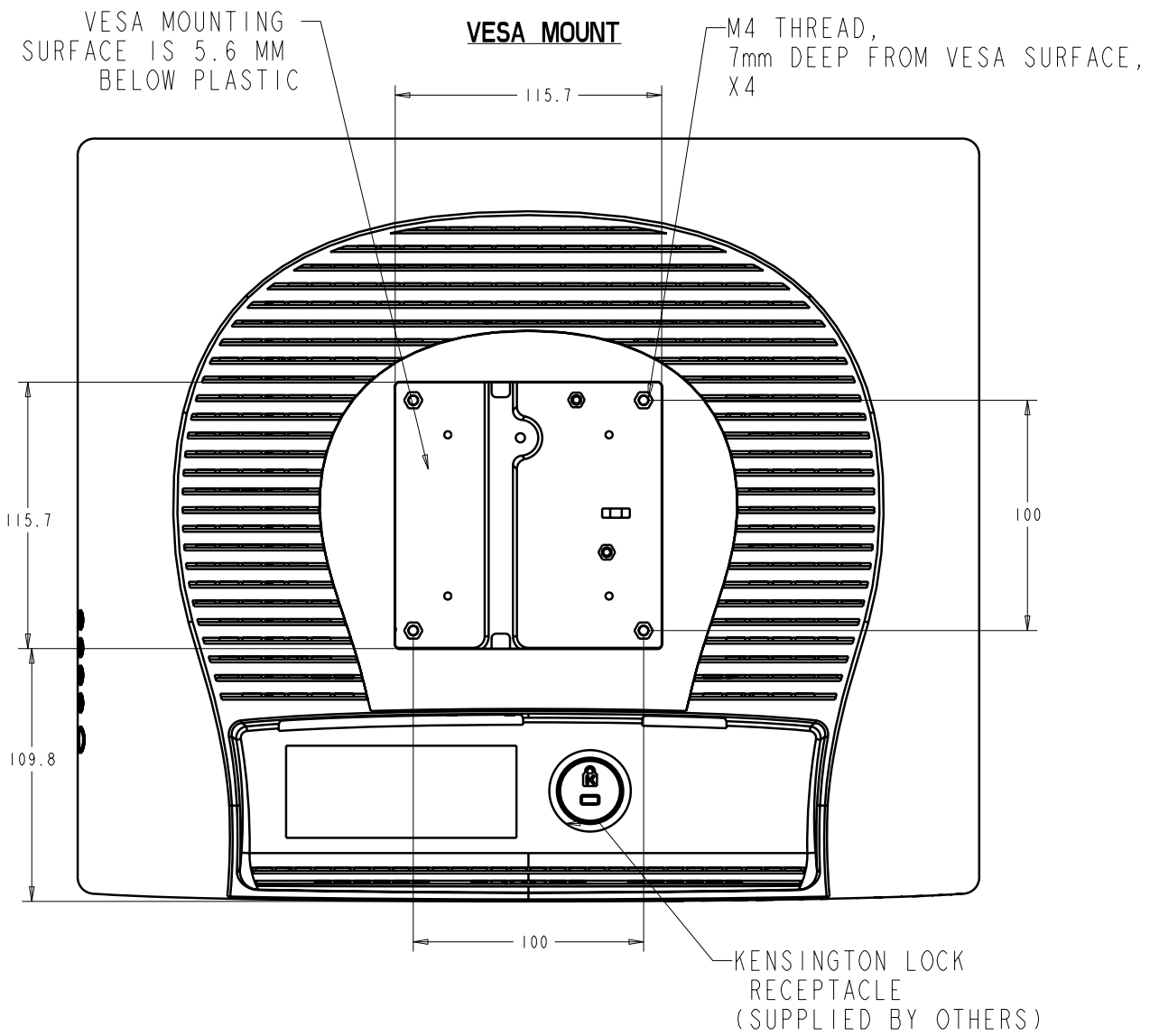
MOUNT OPTION 2



DIMENSIONS ARE IN MILLIMETERS/INCHES

SHEET 2 OF 3





CONNECTOR PANEL

