

TILT 35° FROM VERTICAL

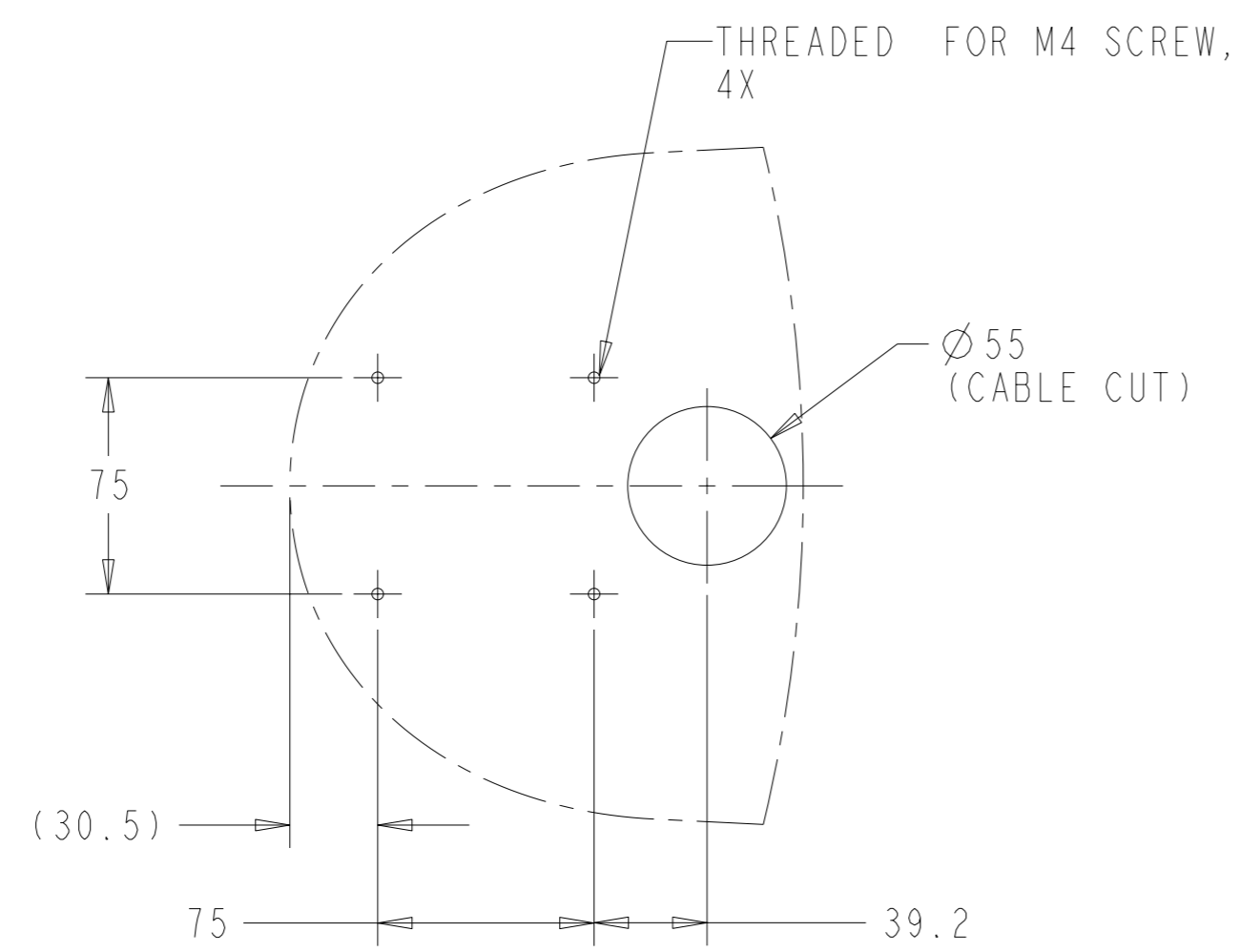
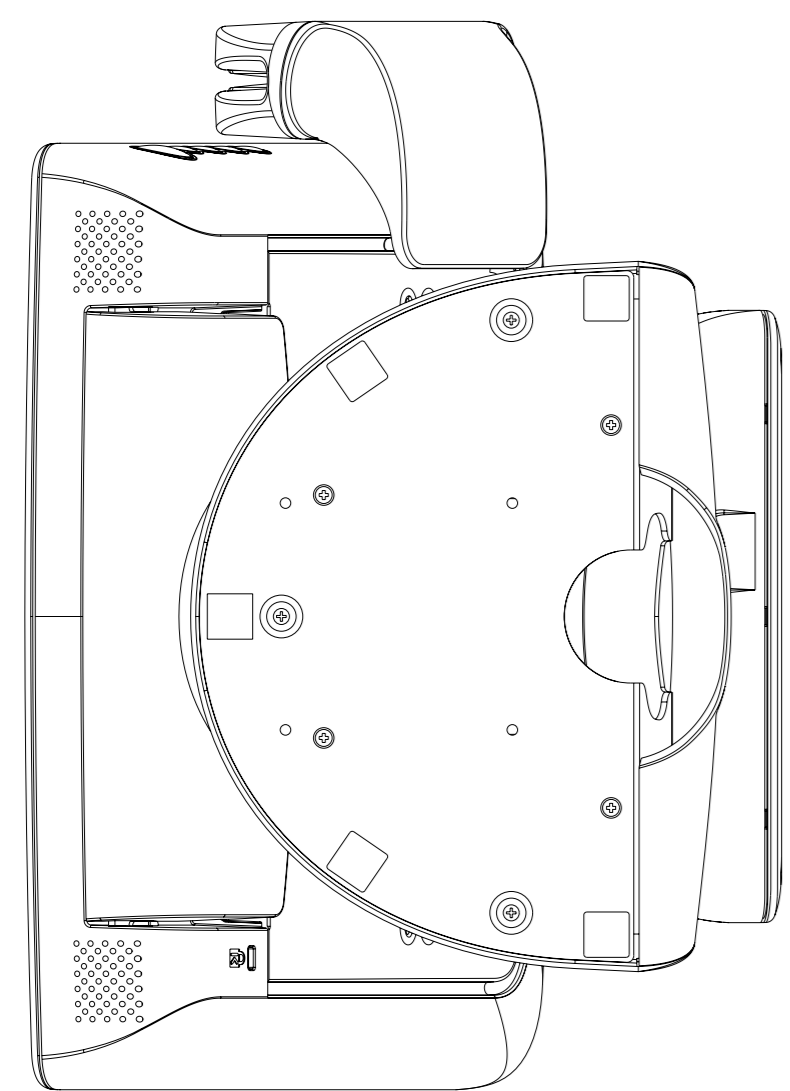
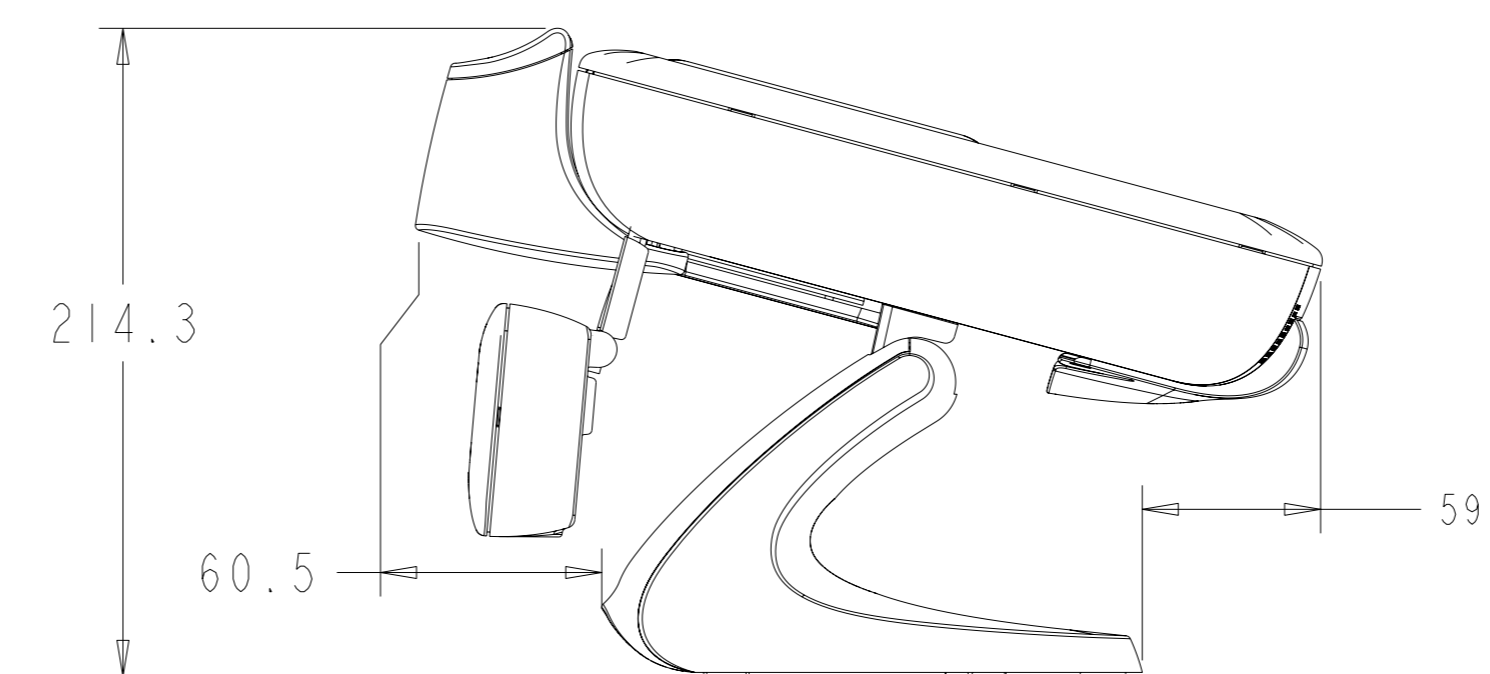


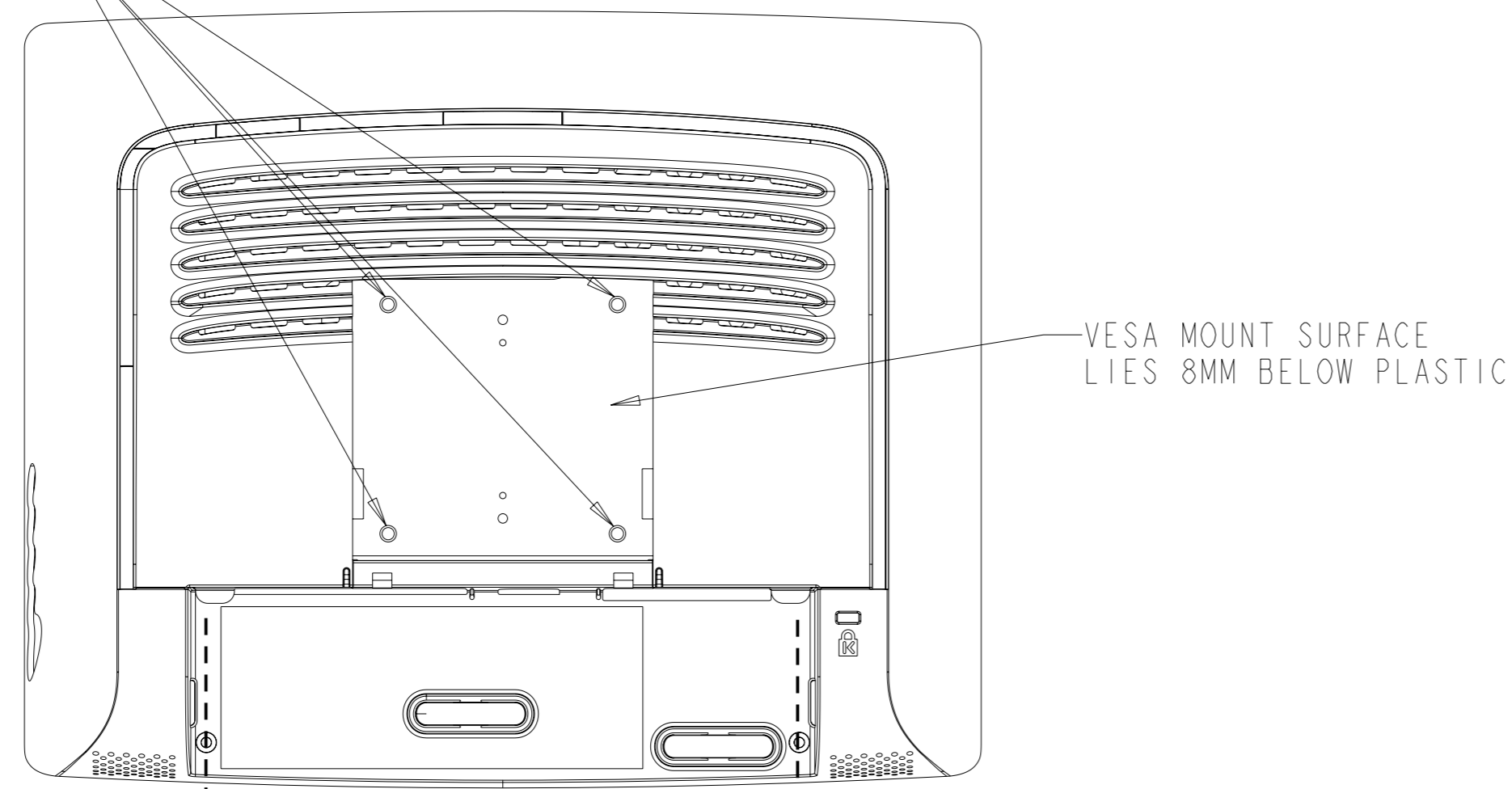
FIGURE 1: BASE MOUNTING PATTERN



TILT 75° FROM VERTICAL

REMOVE THESE FOUR SCREWS
AND RETAIN FOR REASSEMBLY

FIGURE 2 : STAND AND DISPLAY SEPERATION



(BACK VIEW SHOWN WITH
STAND AND CABLE-
COVER REMOVED)

VESA MOUNT SURFACE
LIES 8MM BELOW PLASTIC

(BACK VIEW SHOWN
WITH STAND REMOVED)

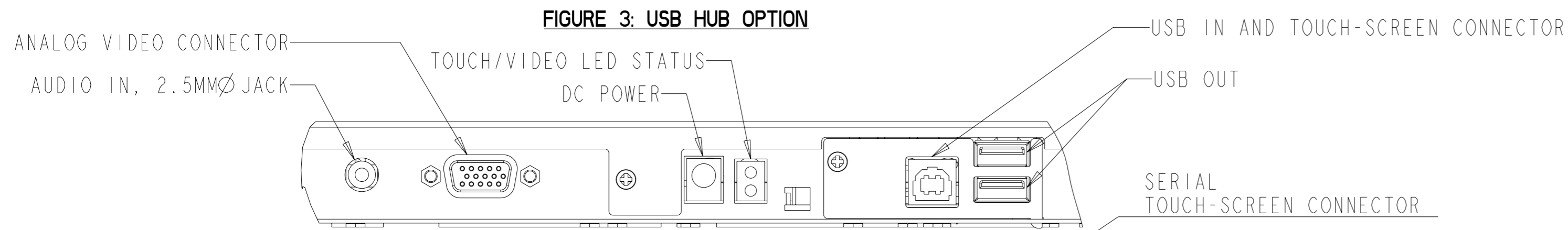
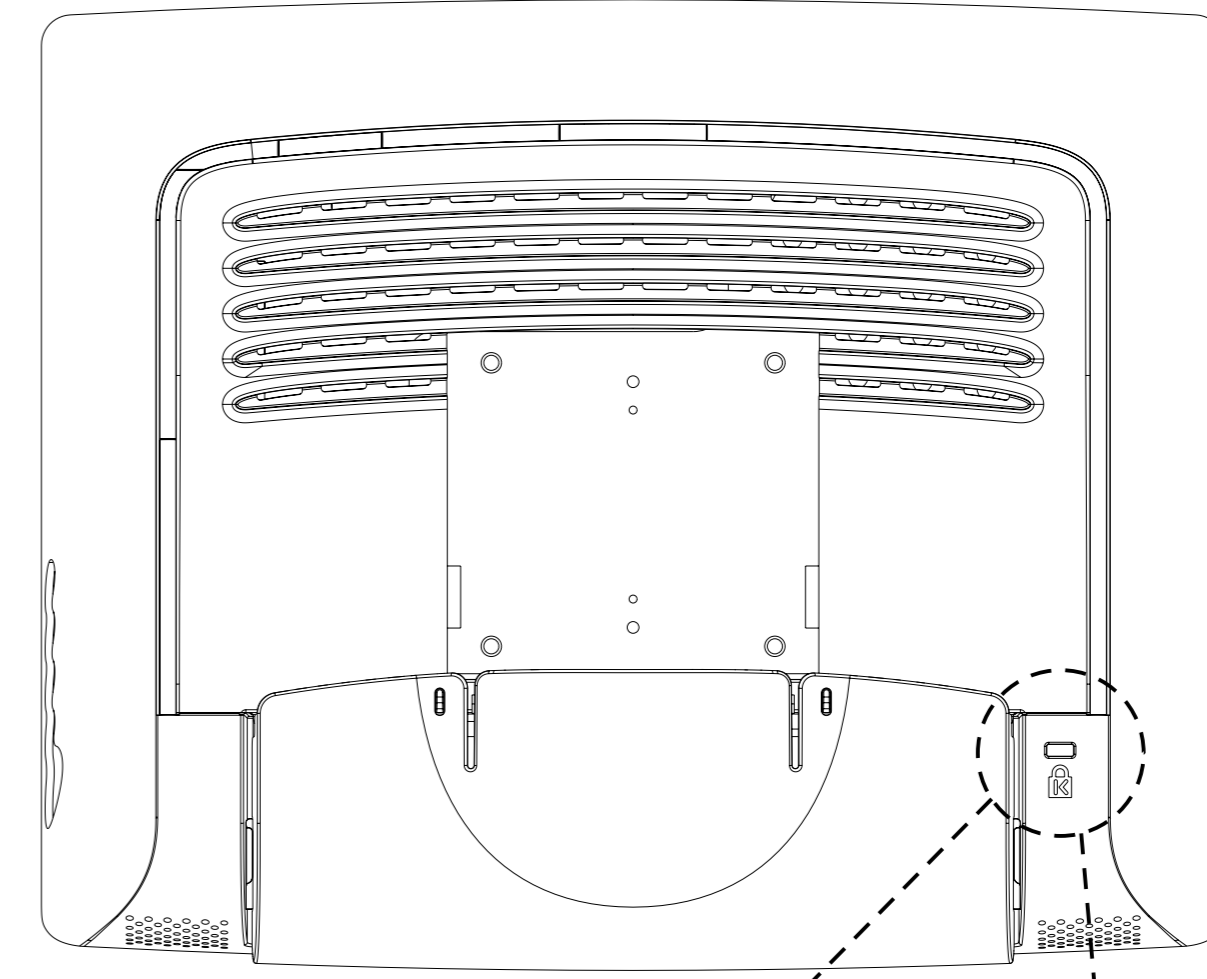


FIGURE 3: USB HUB OPTION

SERIAL
TOUCH-SCREEN CONNECTOR

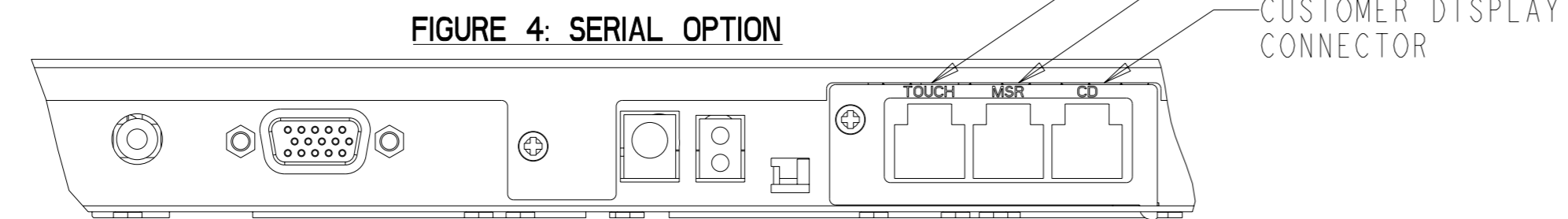


FIGURE 4: SERIAL OPTION

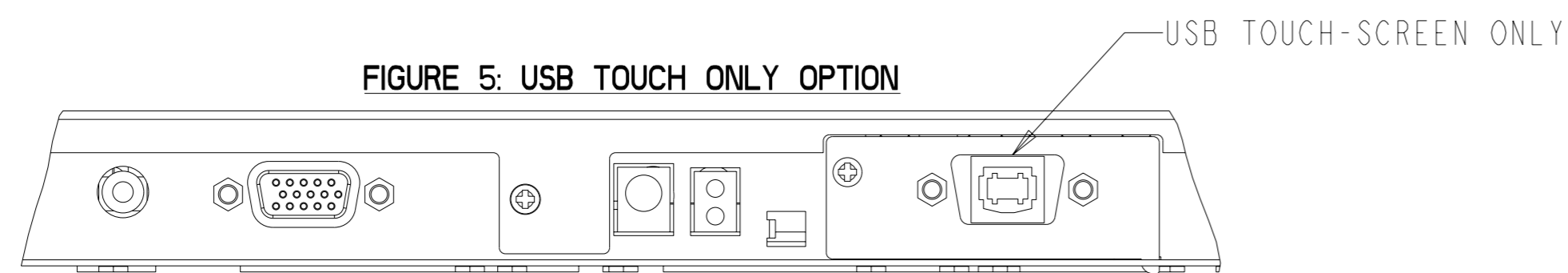


FIGURE 5: USB TOUCH ONLY OPTION

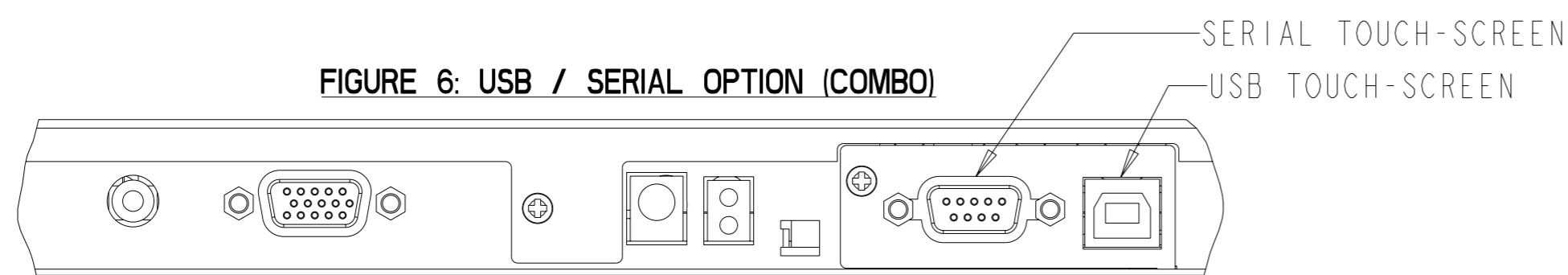
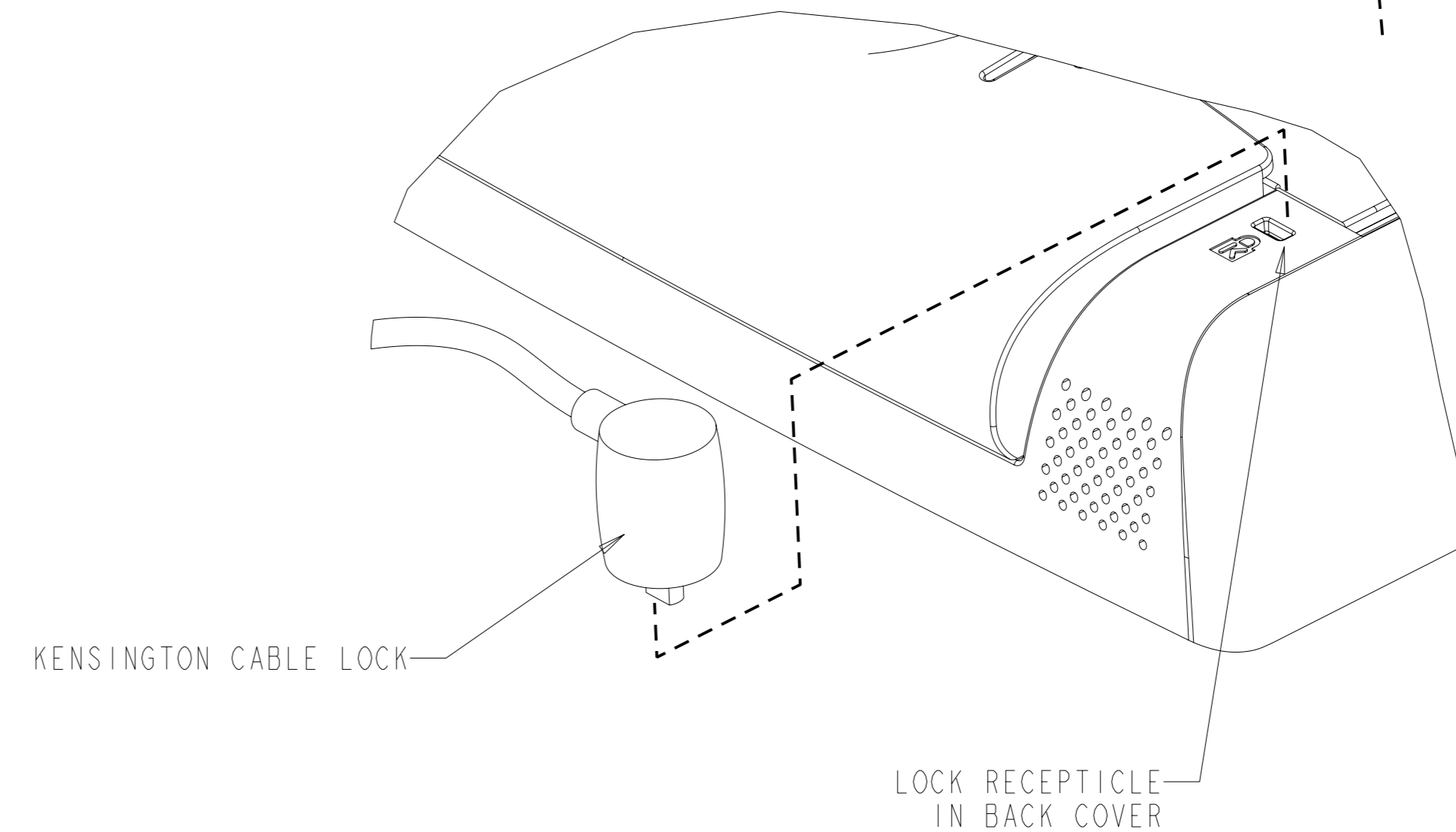


FIGURE 6: USB / SERIAL OPTION (COMBO)

NO TOUCH OPTION ALSO AVAILABLE
(NOT SHOWN)

FIGURE 7: KENSINGTON LOCK DETAIL



KENSINGTON CABLE LOCK

LOCK RECEPTICLE
IN BACK COVER