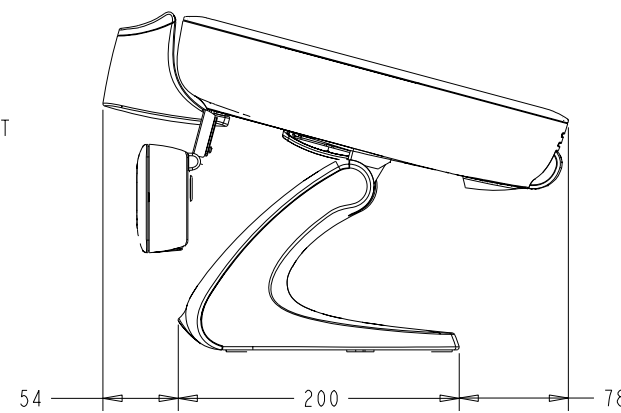


FIGURE 1: SHORT BASE MOUNTING PATTERN



TILT 75° FROM VERTICAL

- FIGURE 2: TILT LOCK OPERATION**
1. PIVOT DISPLAY TO DESIRED ANGLE.
 2. ROTATE KNOB ~1 TURN CLOCKWISE TO LOCK.
 3. ROTATE KNOB ~1 TURN COUNTER-CLOCKWISE TO UN-LOCK.

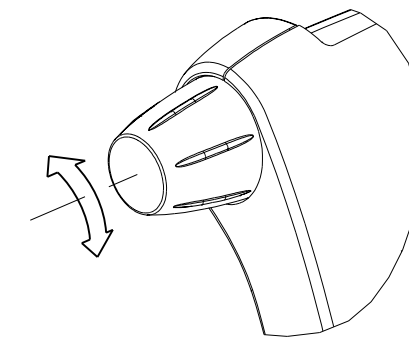
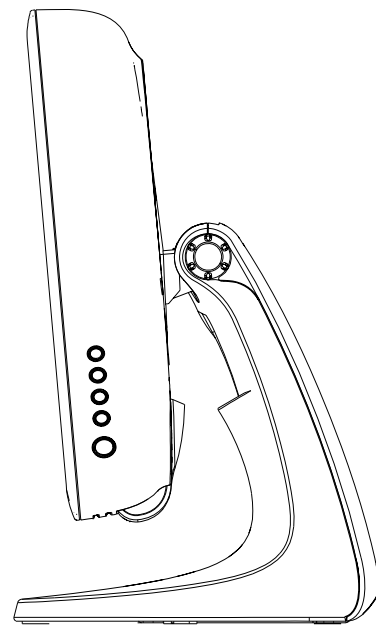
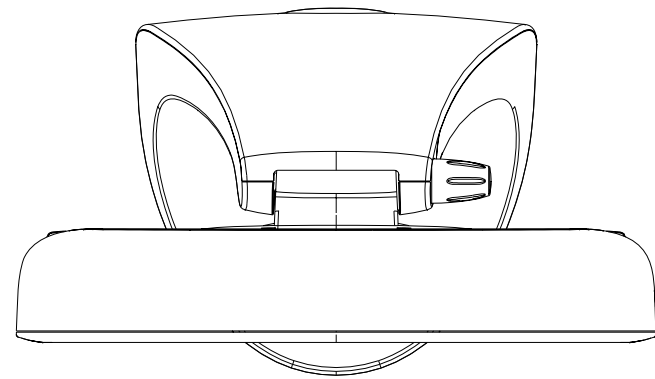
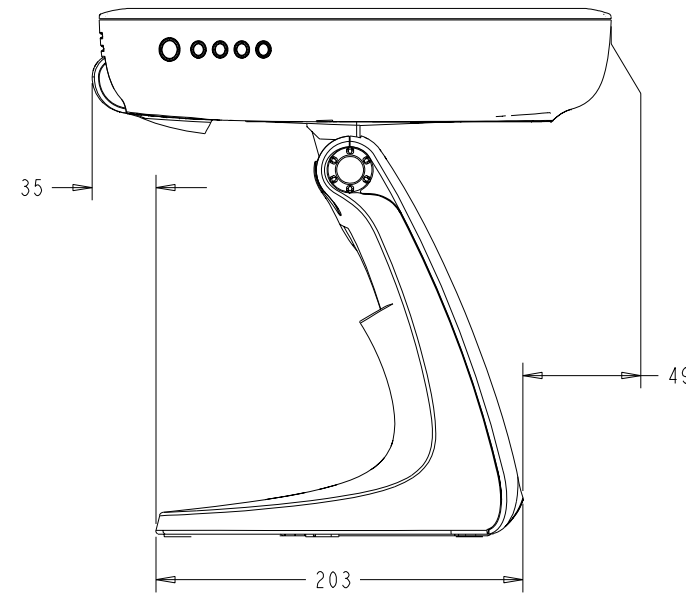


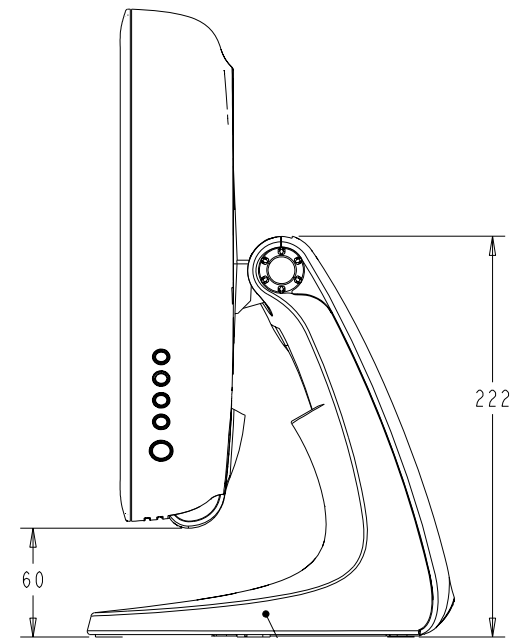
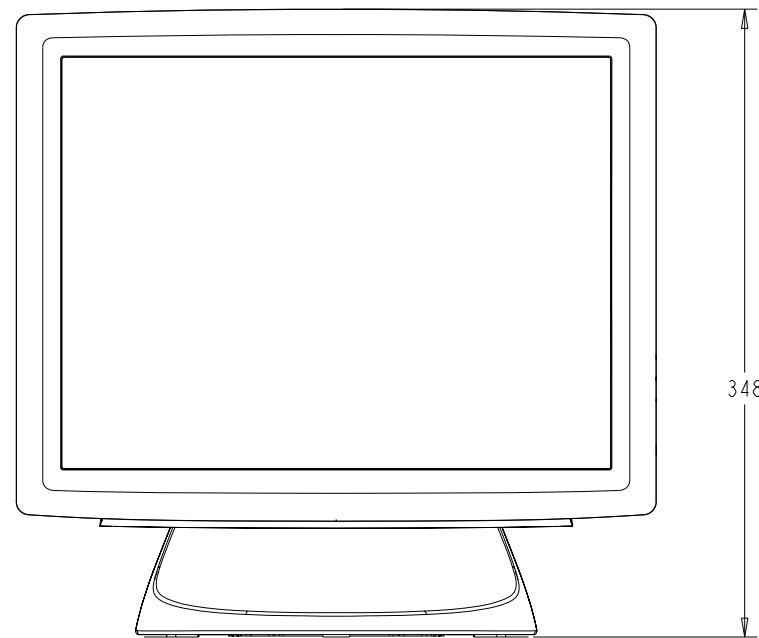
FIGURE 3: TALL STAND



TILT: -5° FROM VERT.



TILT: 90° FROM VERT.



REPLACEMENT STANDS
P/N E930466 (TALL).
COLOR: GRAY
P/N E024520 (TALL)
COLOR: BEIGE

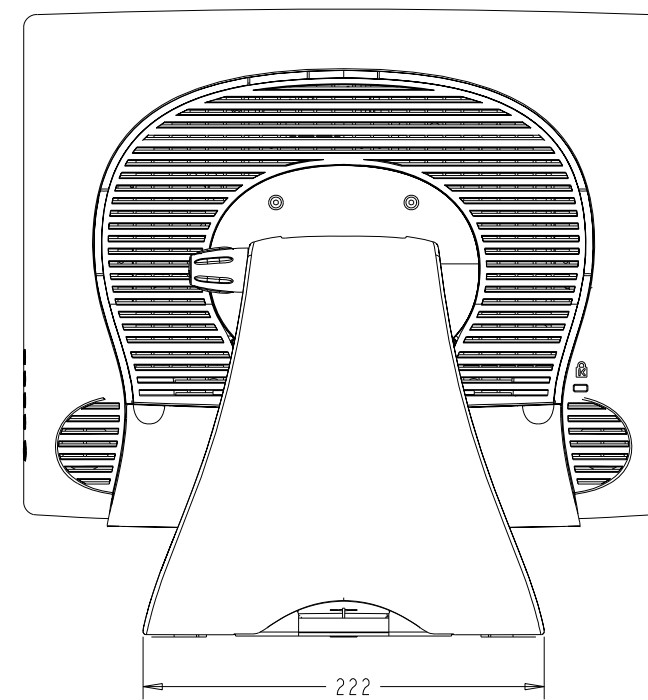


FIGURE 4: TOUCH PLUS ANY ACCESSORIES

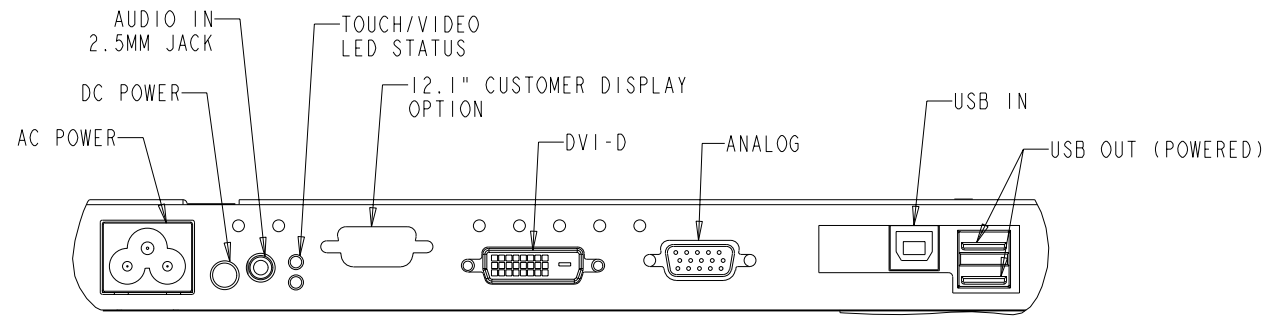


FIGURE 5: TOUCH ONLY

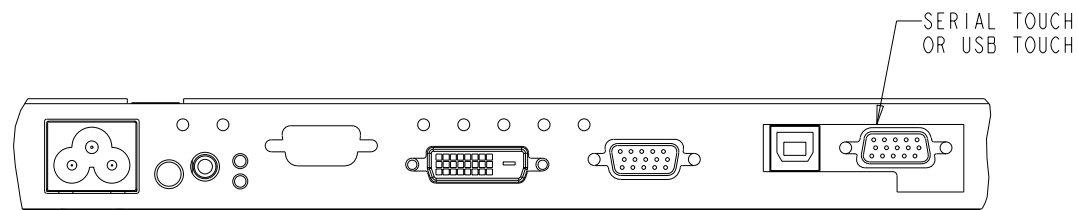


FIGURE 6: TOUCHCOMPUTER

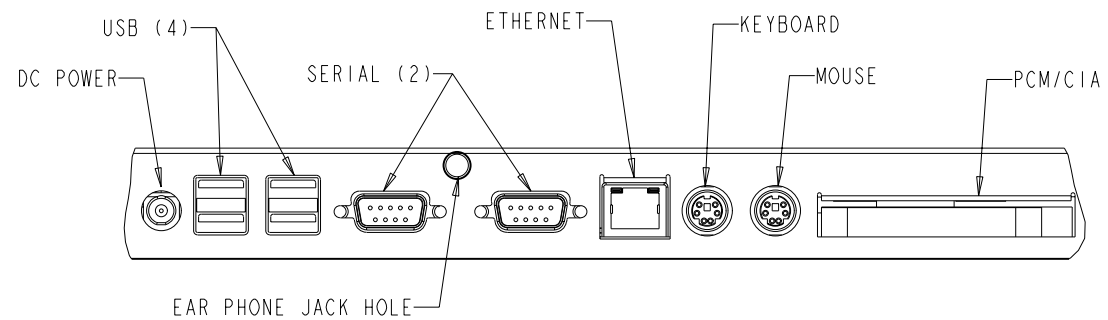
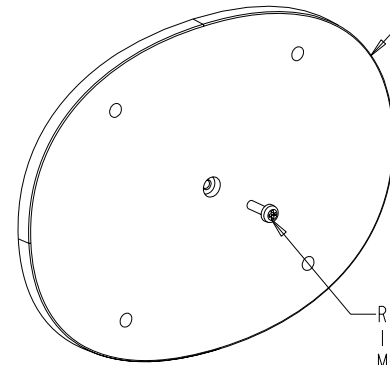


FIGURE 7: VESA PLATE (PIP# E295293 WITH 4 M4X16, CROSS, RECESSED PAN HEAD WITH CAPTURED WASHER.



REMOVE STAND AND INSTALL PLATE TO ALLOW MOUNTING SURFACE TO BE FLUSH WITH THE BACK COVER USING M3X10 PAN HEAD SCREW PROVIDED IN THE VESA MOUNTING PLATE KIT. WARNING: DO NOT BLOCK MONITOR VENTILATION.

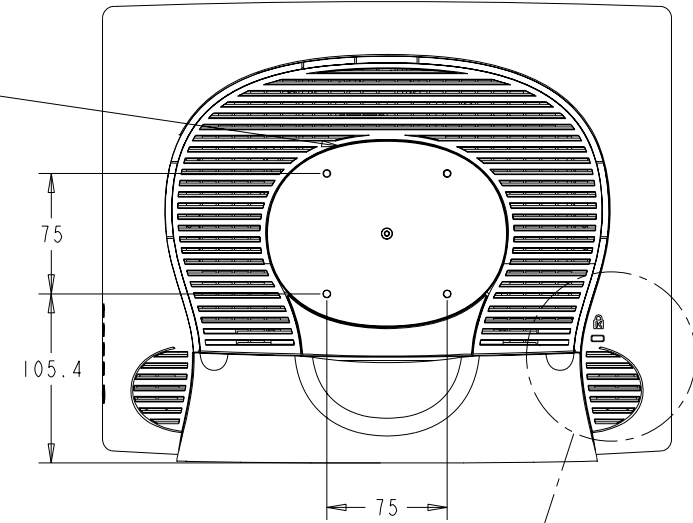
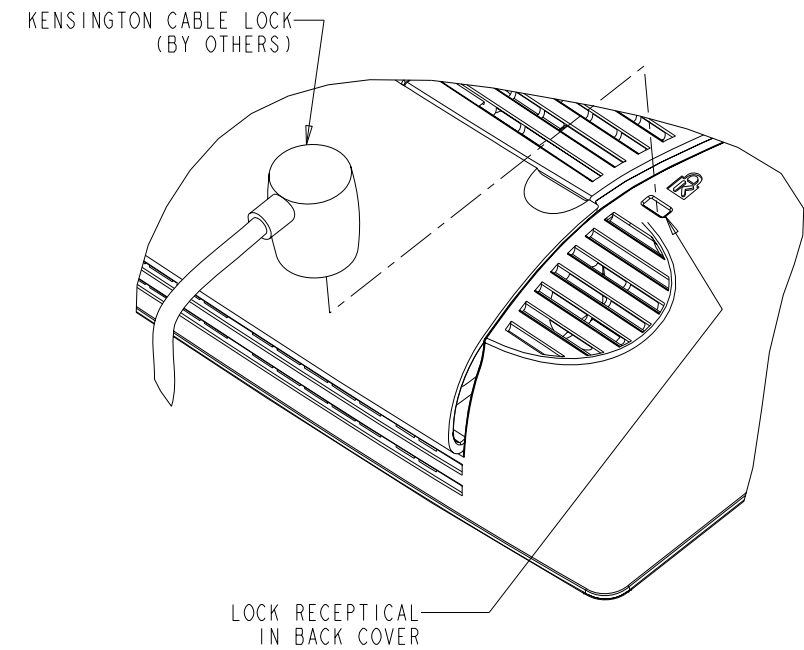


FIGURE 8: KENSINGTON LOCK DETAIL



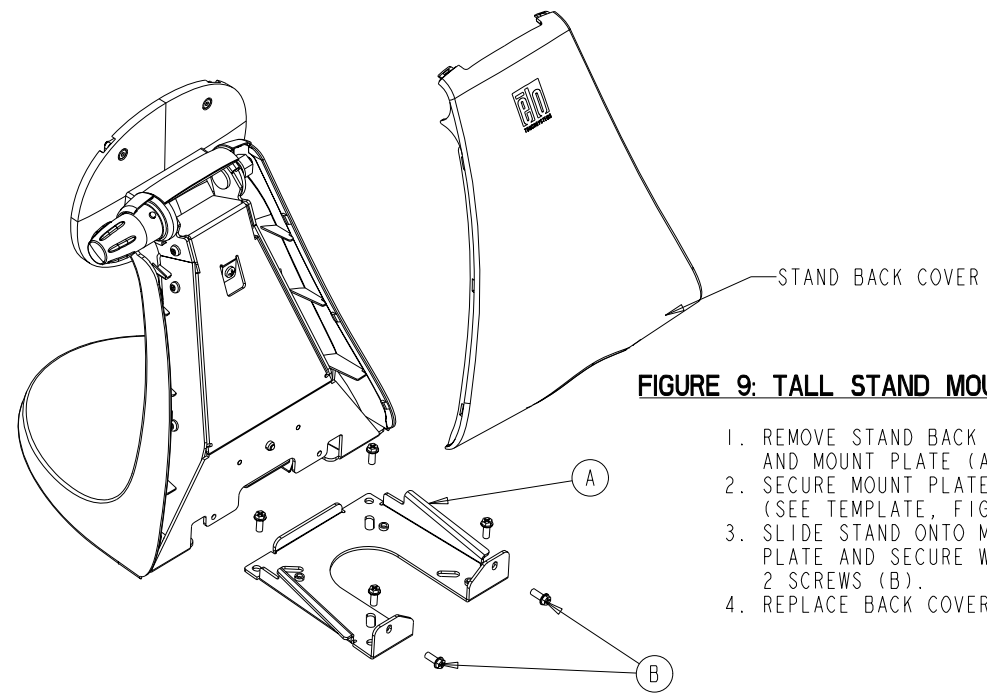
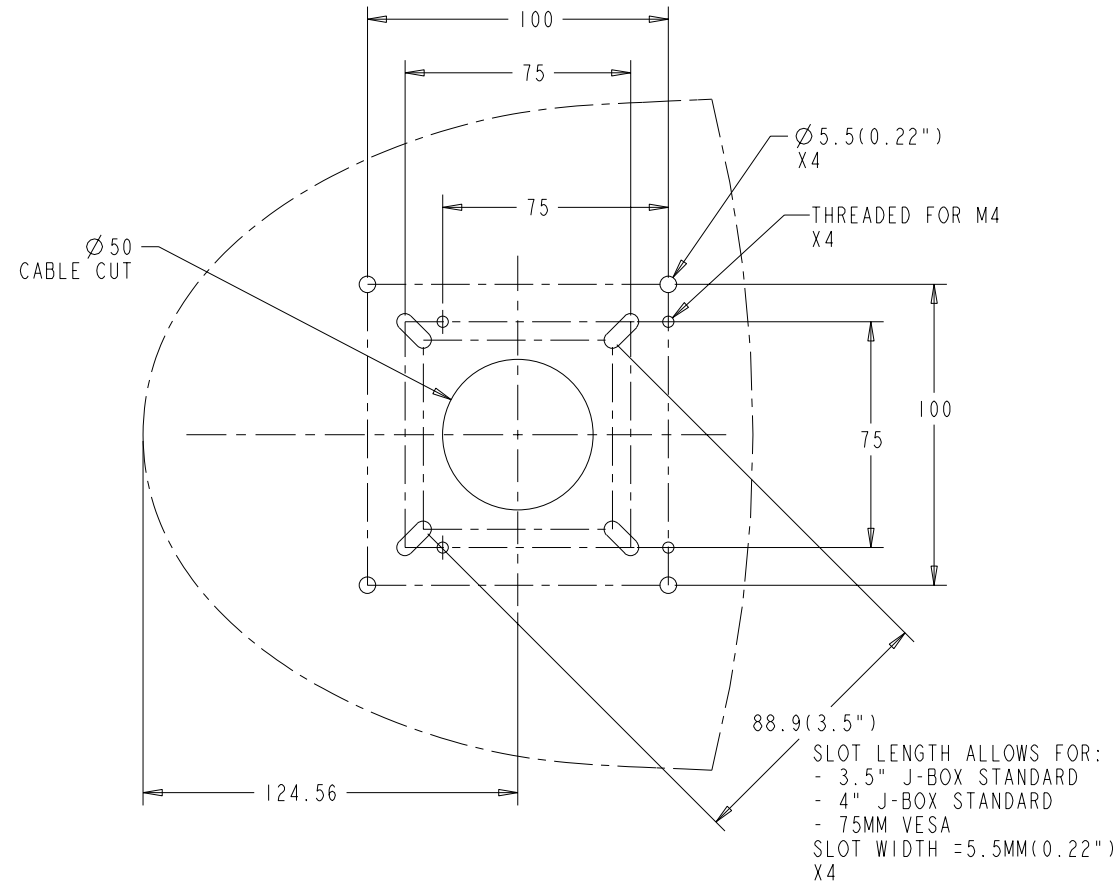


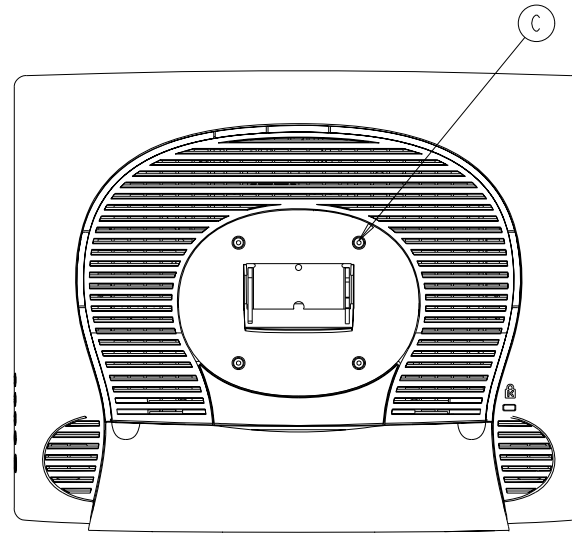
FIGURE 9: TALL STAND MOUNT OPTION

1. REMOVE STAND BACK COVER AND MOUNT PLATE (A).
2. SECURE MOUNT PLATE TO SURFACE. (SEE TEMPLATE, FIG. 10)
3. SLIDE STAND ONTO MOUNTING PLATE AND SECURE WITH 2 SCREWS (B).
4. REPLACE BACK COVER.

FIGURE 10: TALL STAND MOUNT TEMPLATE



DIMENSIONS ARE IN MILLIMETERS/INCHES



MOUNTING TO A WALL:

1. REMOVE THE FOUR SCREWS (C) IN ORDER TO SEPARATE THE STAND FROM THE MONITOR.
2. ROTATE THE MONITOR 180° (SO MONITOR WILL NOT BE UPSIDE DOWN WHEN MOUNTED IN THE POSITION SHOWN).
3. REINSTALL THE FOUR SCREWS (C).
4. ROUTE CABLES THROUGH CUTOUT (IF APPLICABLE) AND MOUNT MONITOR TO WALL USING THE TEMPLATES PROVIDED.

FIGURE 11: TALL STAND WALL MOUNT

SEE FIG. 9 AND TEMPLATE FIG.10 FOR FRONT MOUNT OPTION.
SEE TEMPLATE FIG.10 FOR REAR MOUNT OPTION.

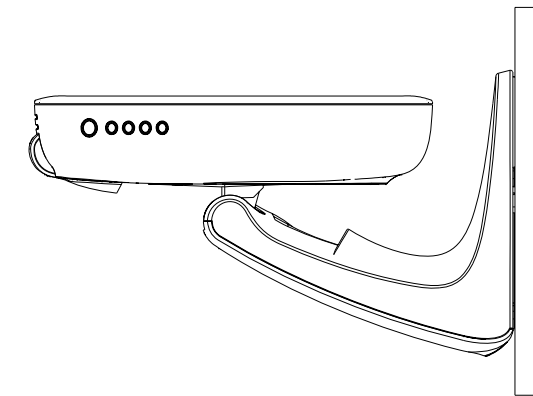
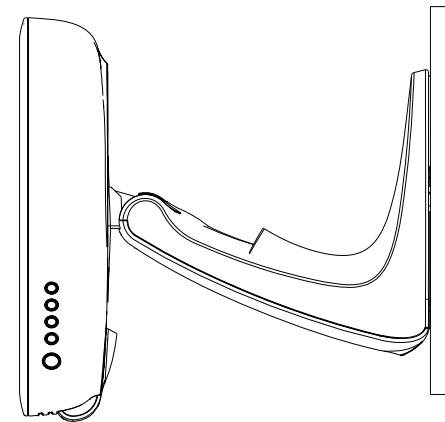


FIGURE 12: SHORT STAND WALL MOUNT

SEE FIGURE 1, PG. 1 FOR WALL MOUNT TEMPLATE

