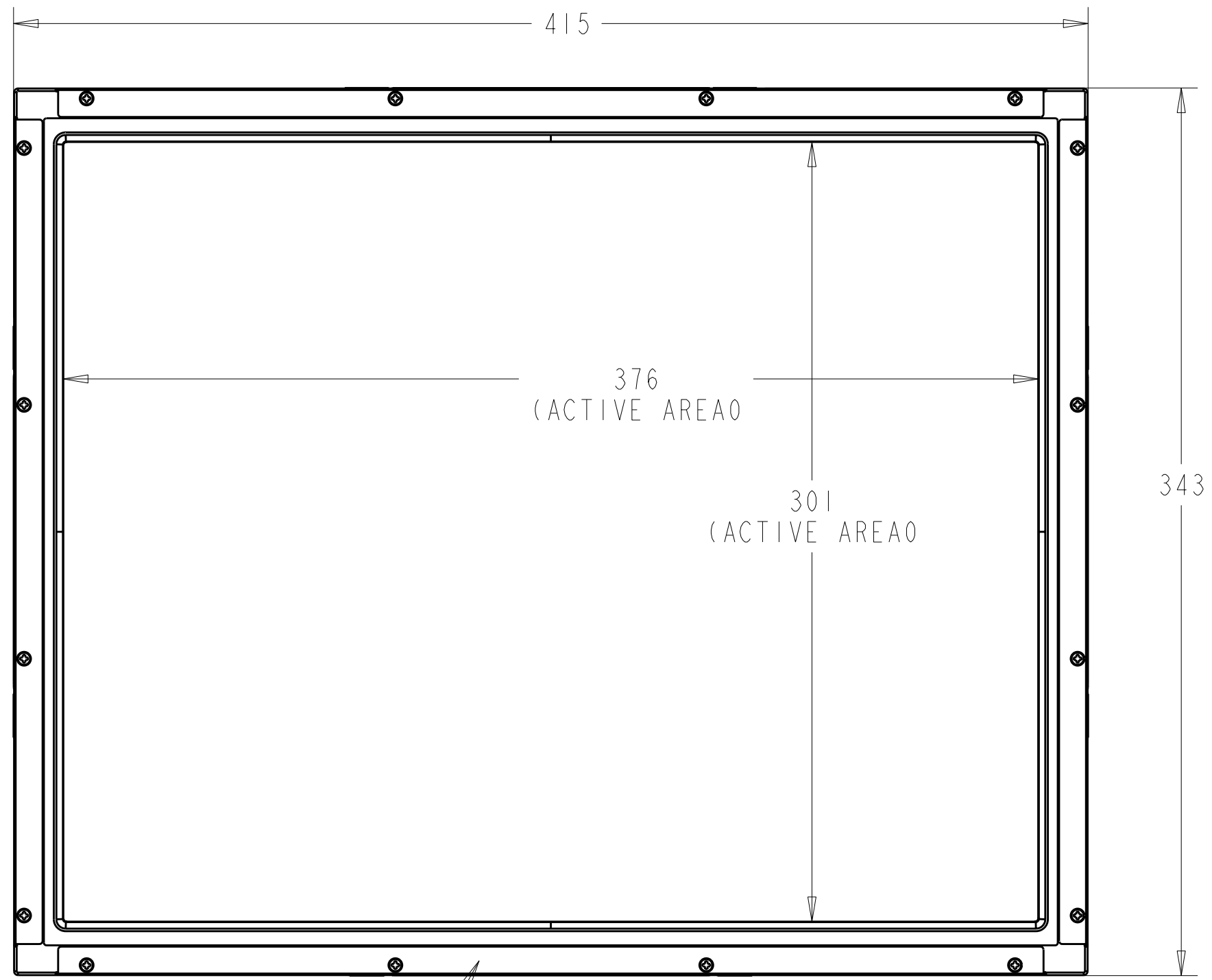
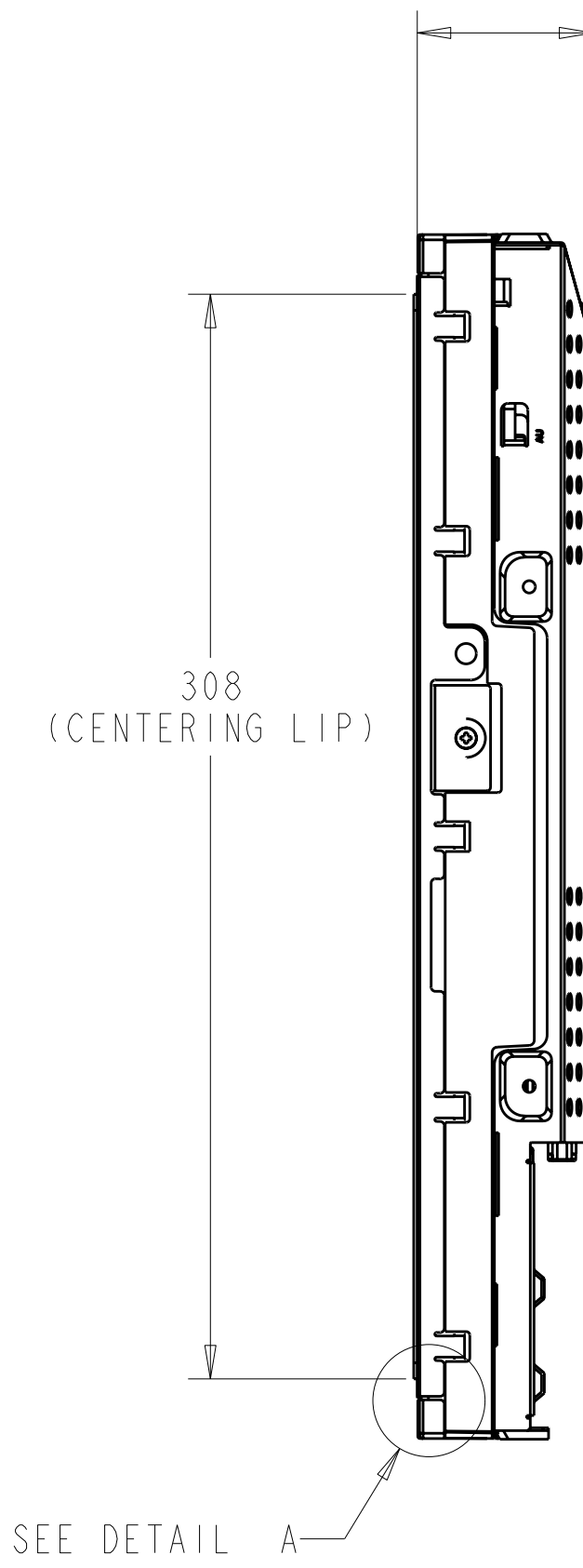


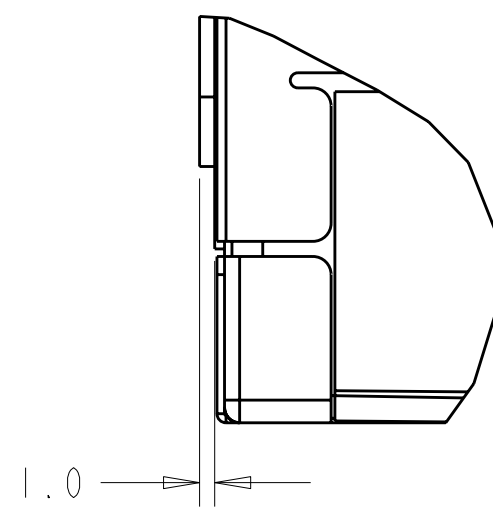
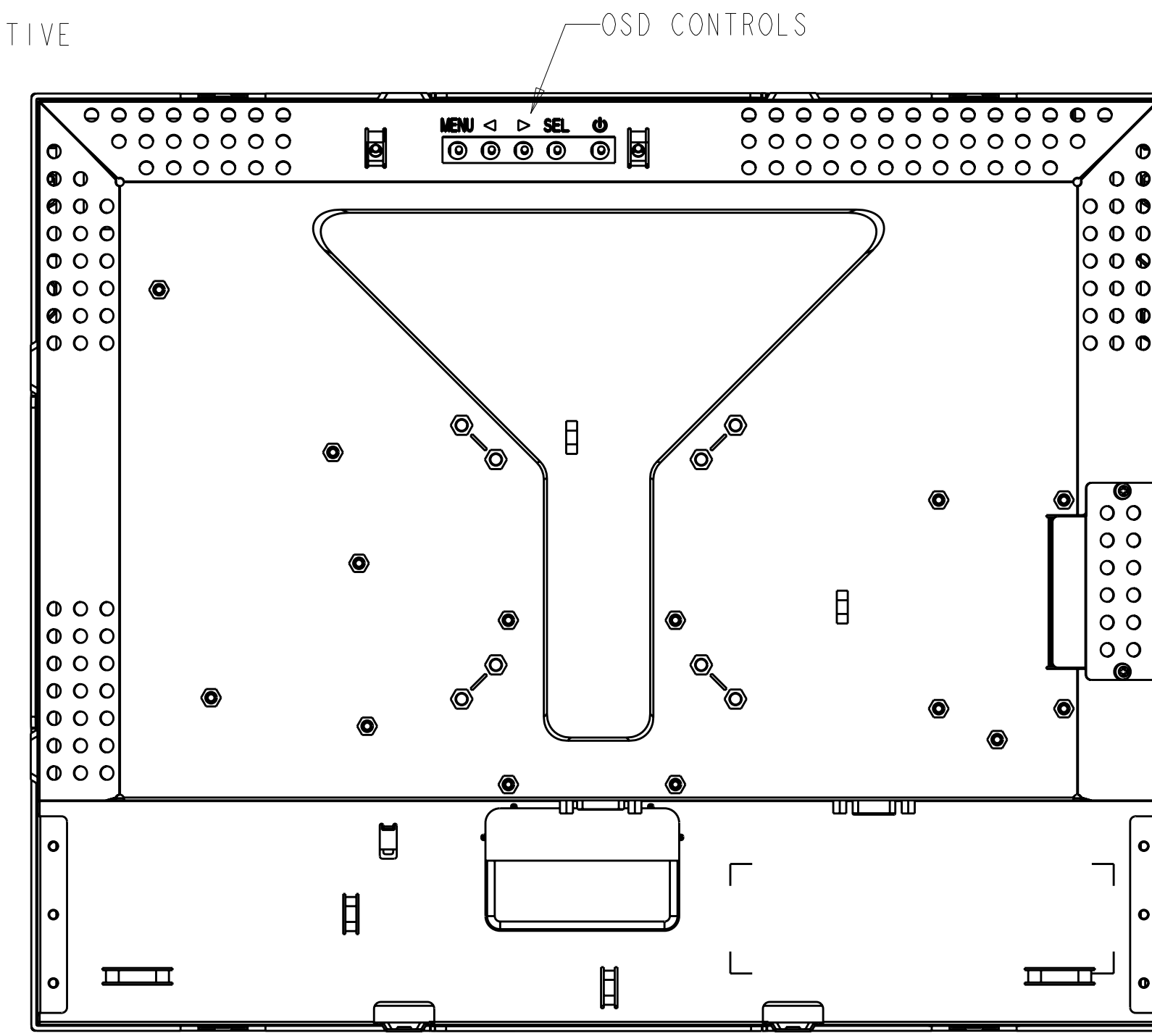
NOTES:
 1. ALL DIMENSIONS +/- 1.0MM UNLESS NOTED
 2. DIMENSIONS SHOWN ARE FOR ALL TOUCH TECHNOLOGIES UNLESS NOTED.



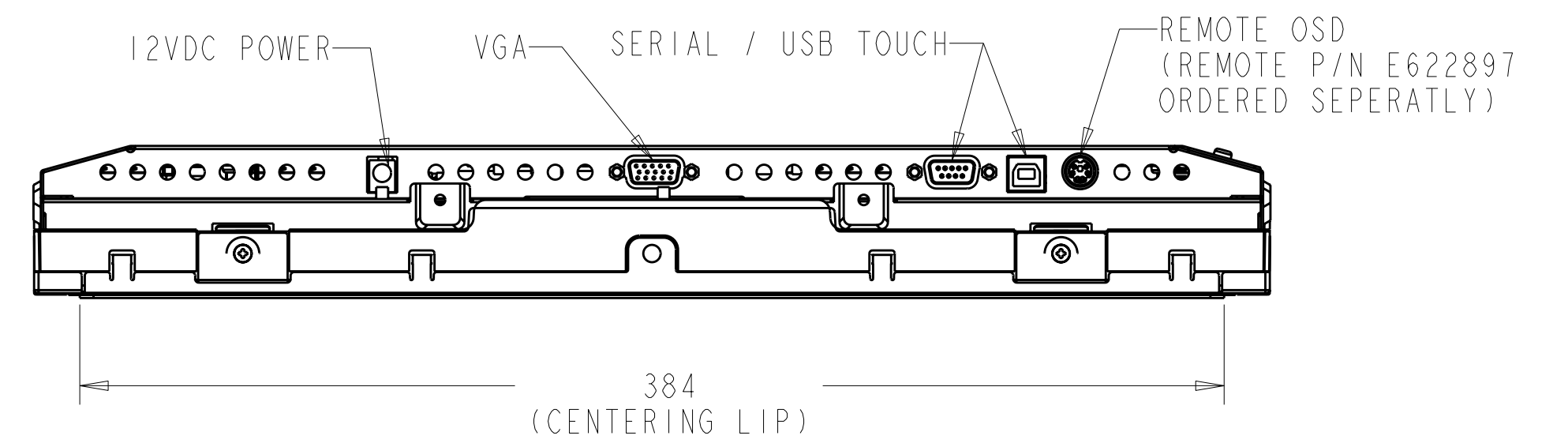
BEZEL WITH WIPER BLADE SEAL



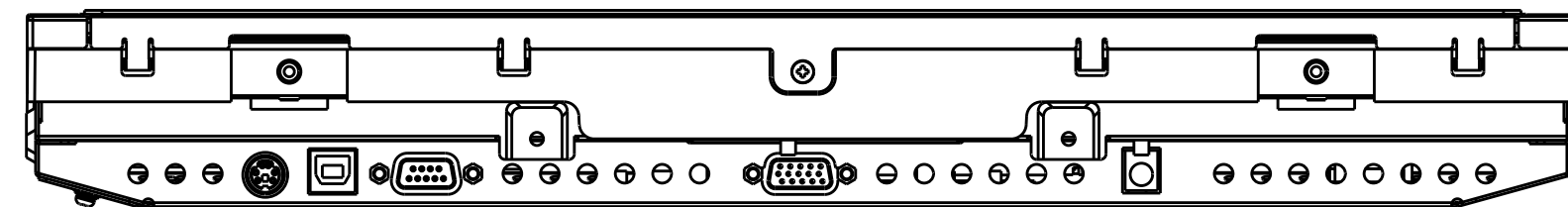
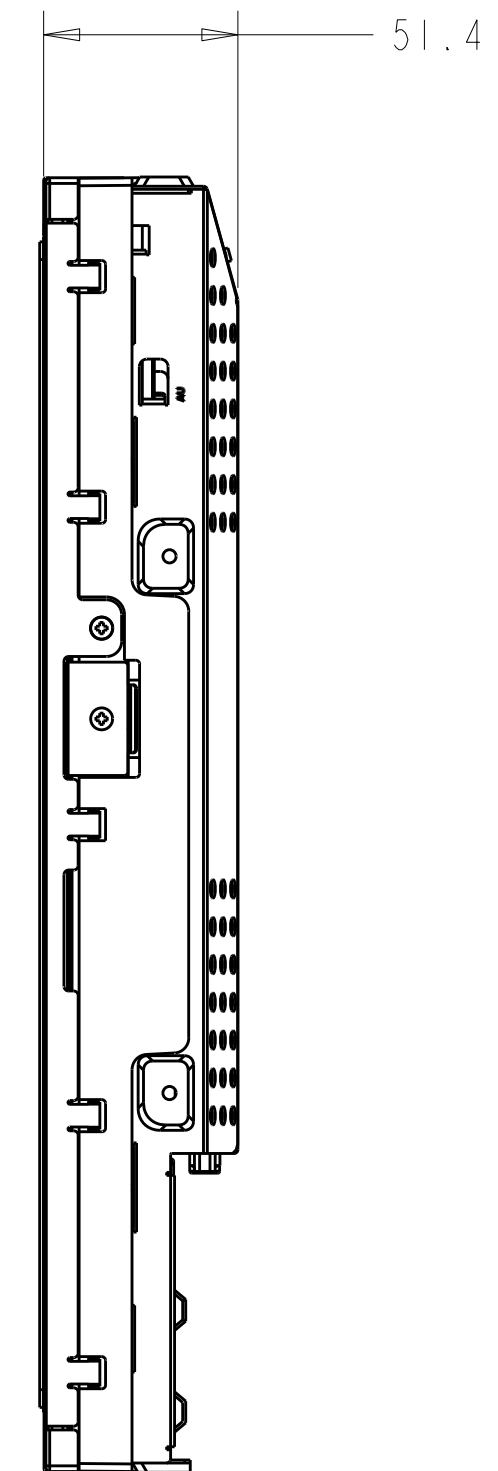
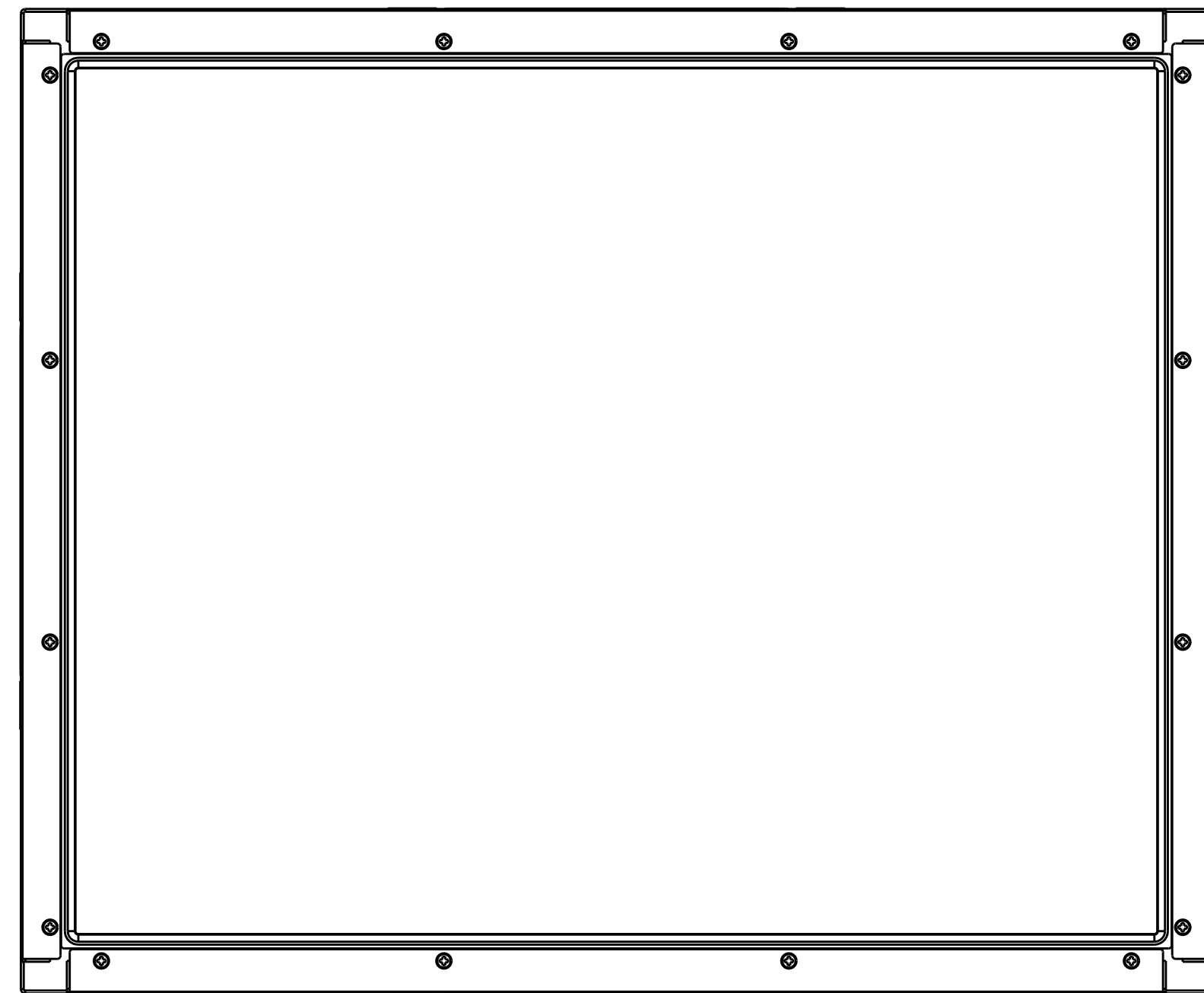
50.0 FOR:
 - ACCUTOUCH
 - INTELLITOUCH
 - SURFACE CAPACITIVE



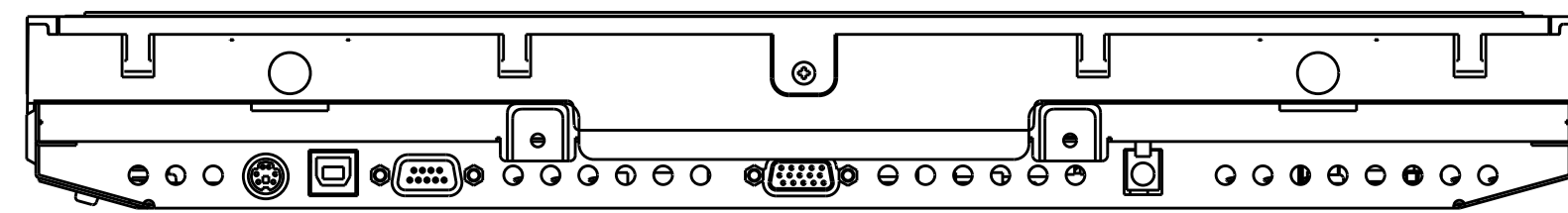
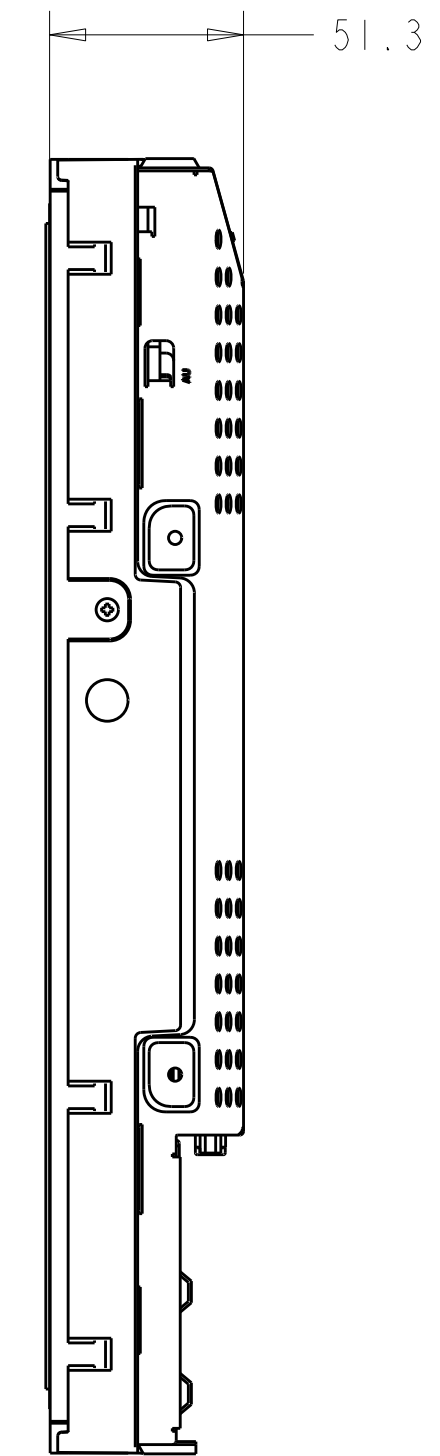
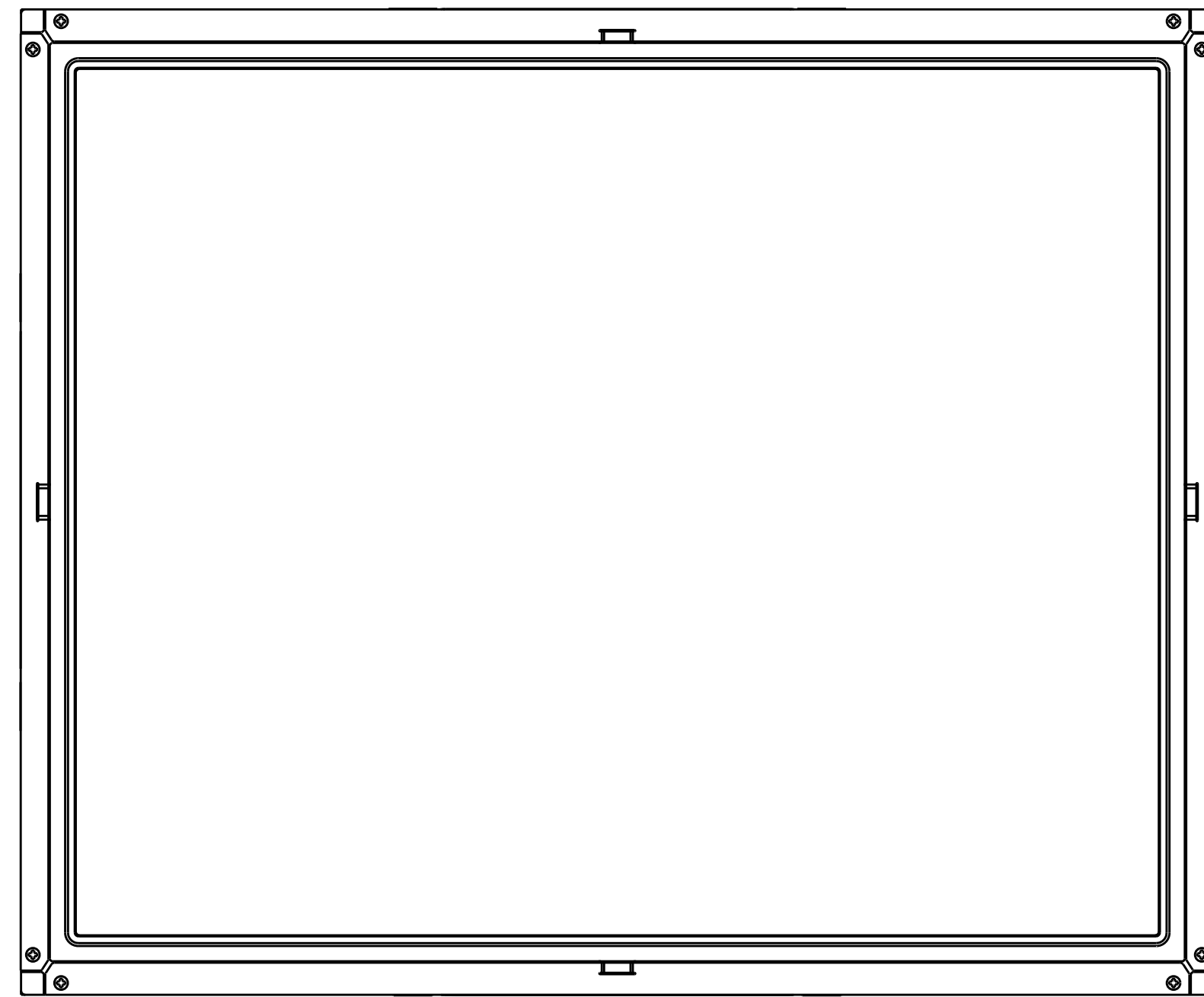
DETAIL A
 (CENTERING LIP)
 SCALE 2.000



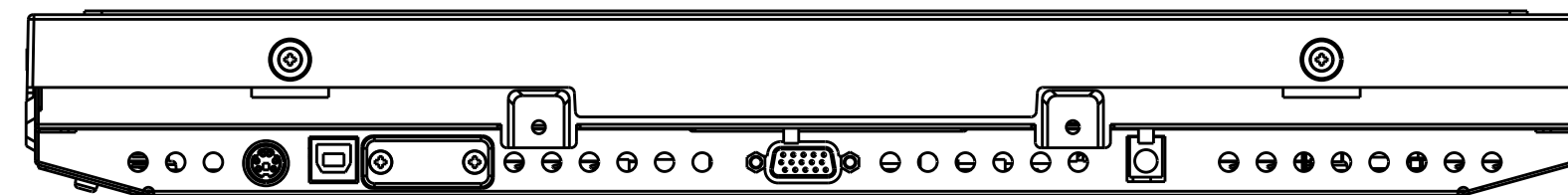
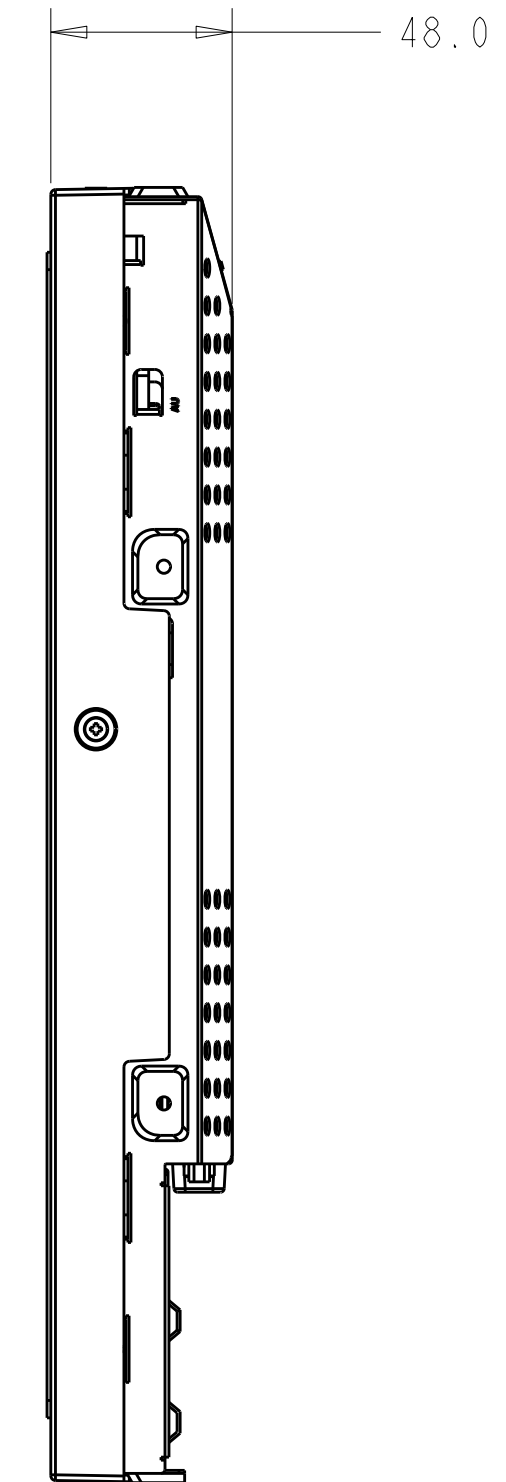
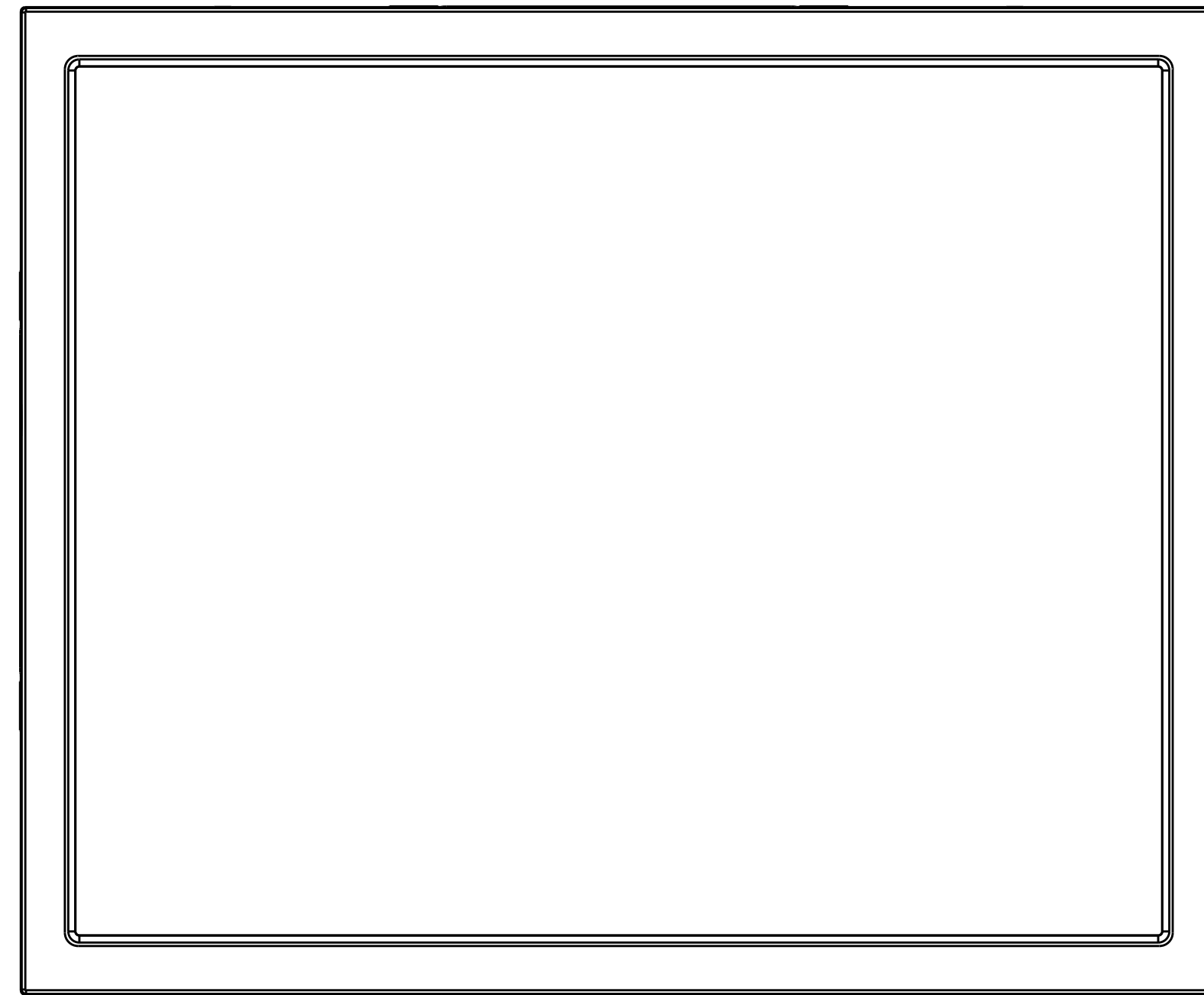
SECURE TOUCH OPTION



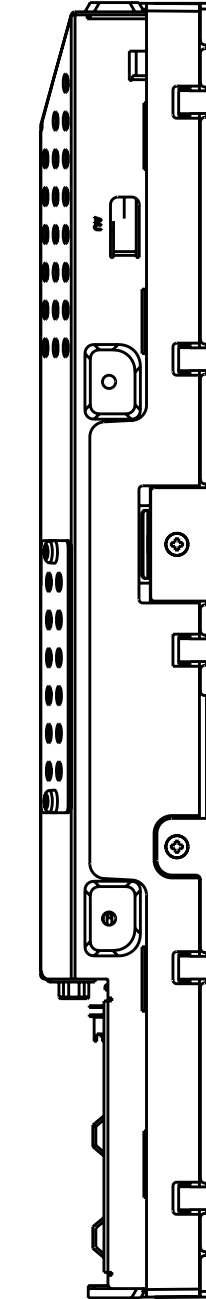
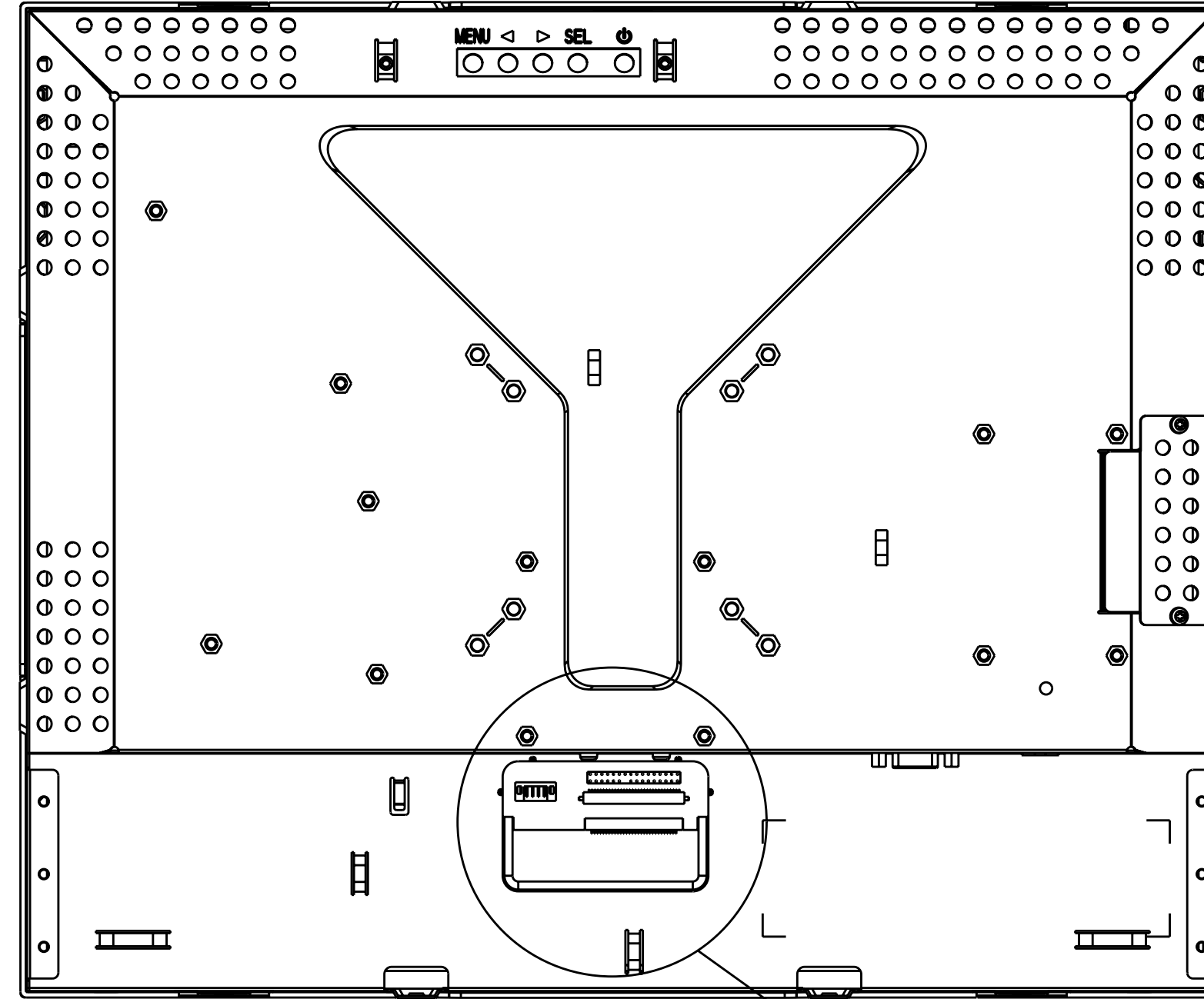
IR OPTION



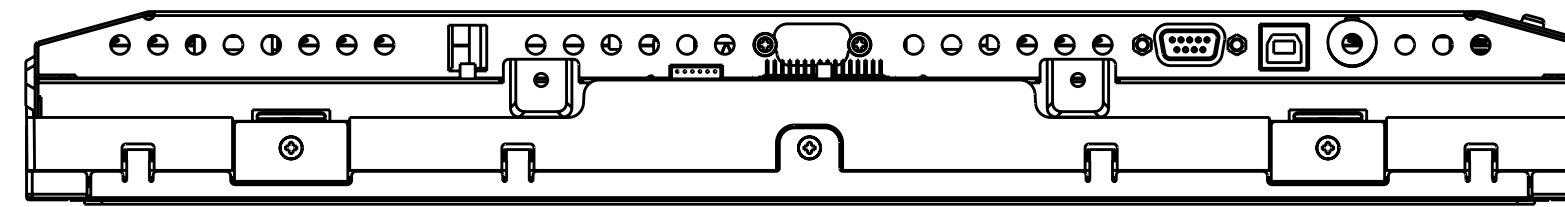
APR OPTION



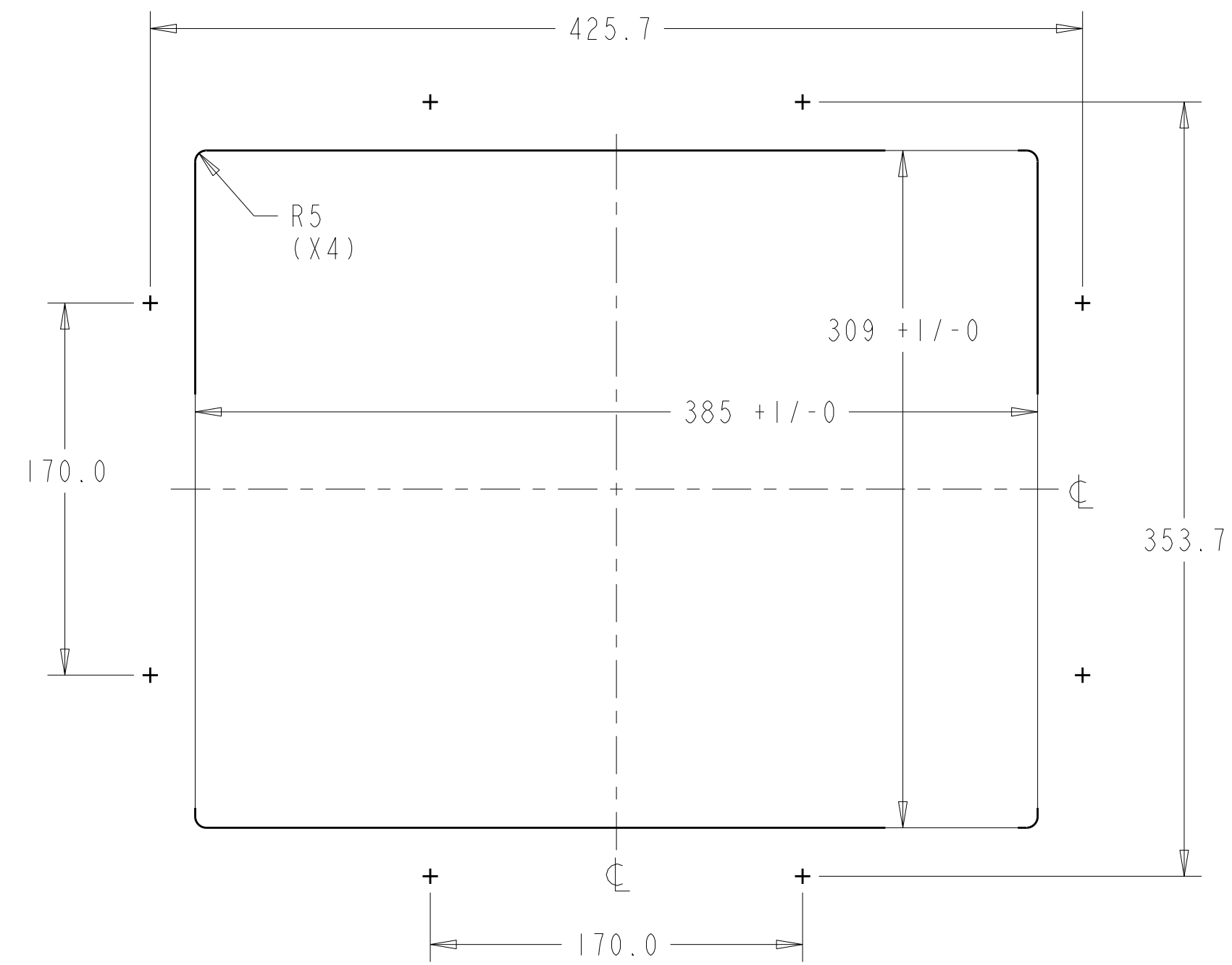
LVDS OPTION



SEE USER GUIDE
FOR LVDS CONNECTION DETAILS.



**RECOMMENDED CUSTOMER
PANEL CUT-OUT** (SEE NOTE A)



NOTE A
CUSTOMER PANEL MATERIAL:

1. WOOD: $\varnothing 4.5$ HOLES THRU FOR M4 SCREWS W/NUTS, OR, NO THRU HOLES, SCREWS FOR WOOD $\varnothing 4$ mm,

2. SHEET METAL: CONCEALED HEAD THREADED STUDS M4 W/NUTS.

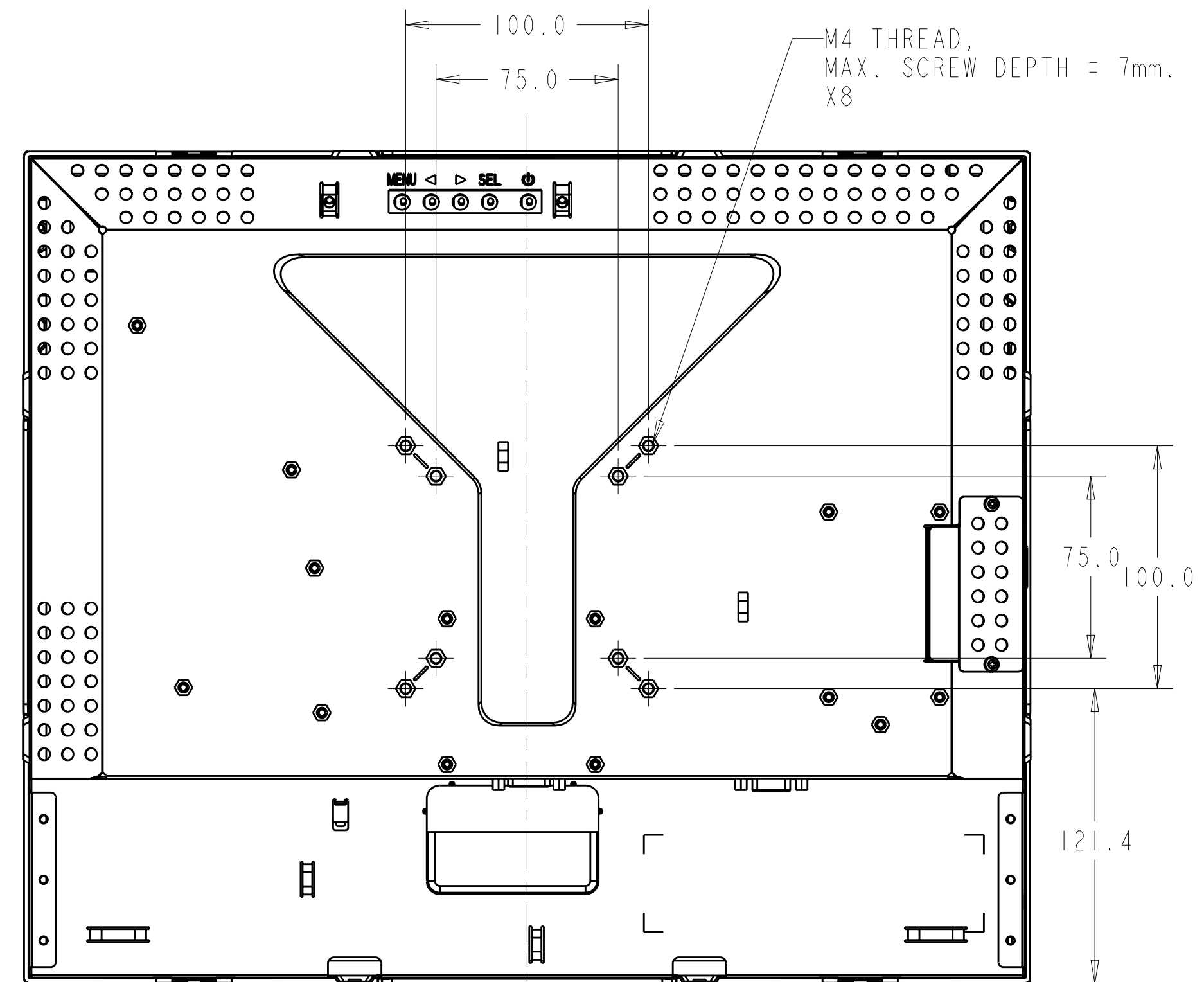
NOTE B
MONITOR INCLUDES 2 BRACKETS, ADDITIONAL BRACKETS AVAILABLE, P/N E147211

NOTE C
33.3 mm = SECURE TOUCH
33.2 mm = IR
30.2 mm = APR

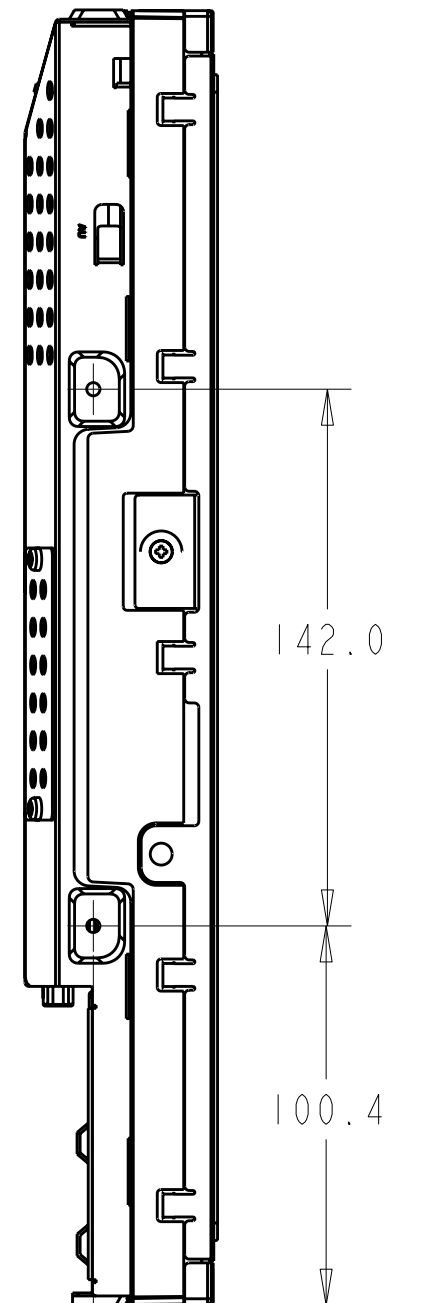
NOTE D
15.9 mm = SECURE TOUCH
15.8 mm = IR
12.5 mm = APR

NOTE E
1.6 mm = SECURE TOUCH
1.7 mm = IR
5.0 mm = APR

VESA MOUNT



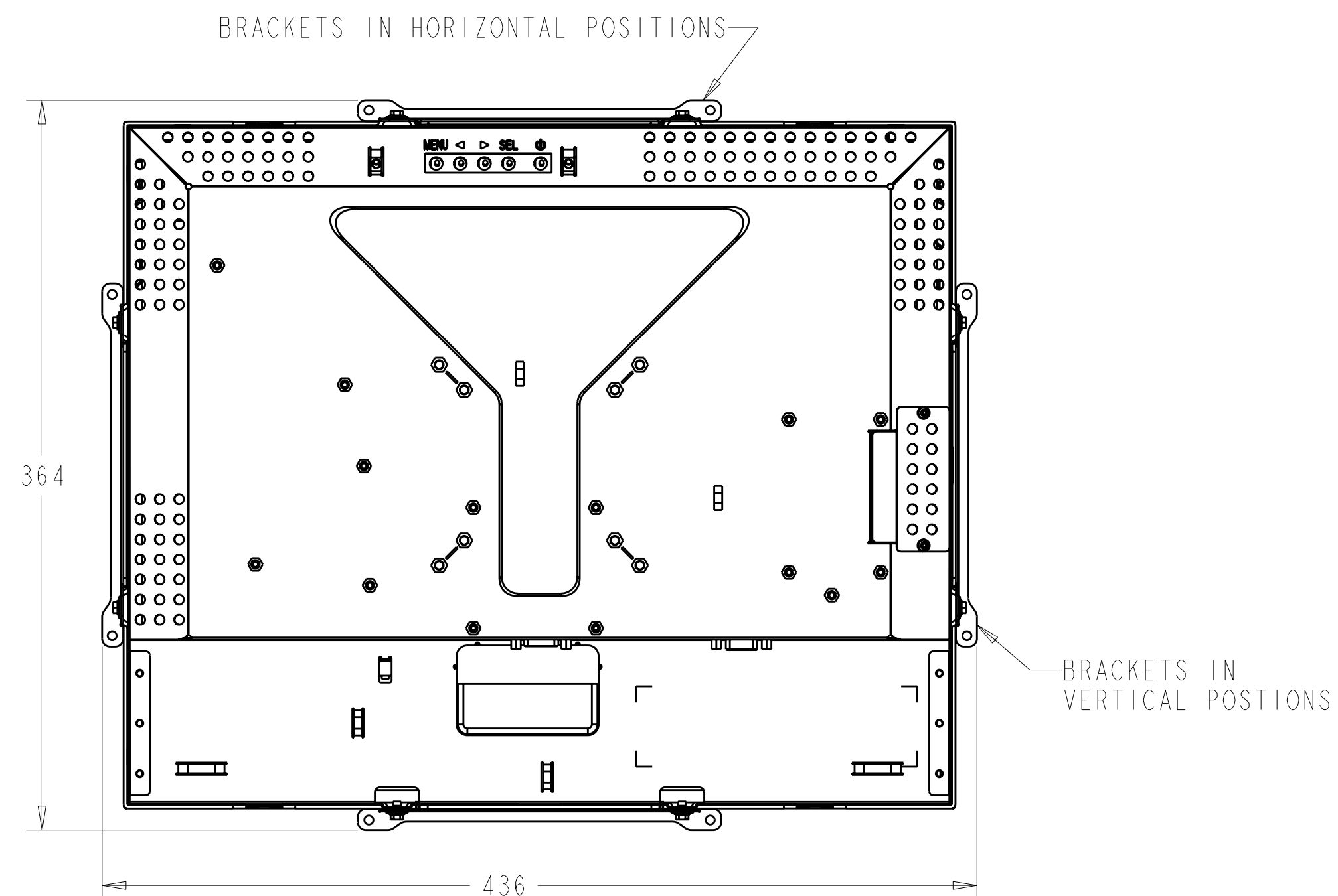
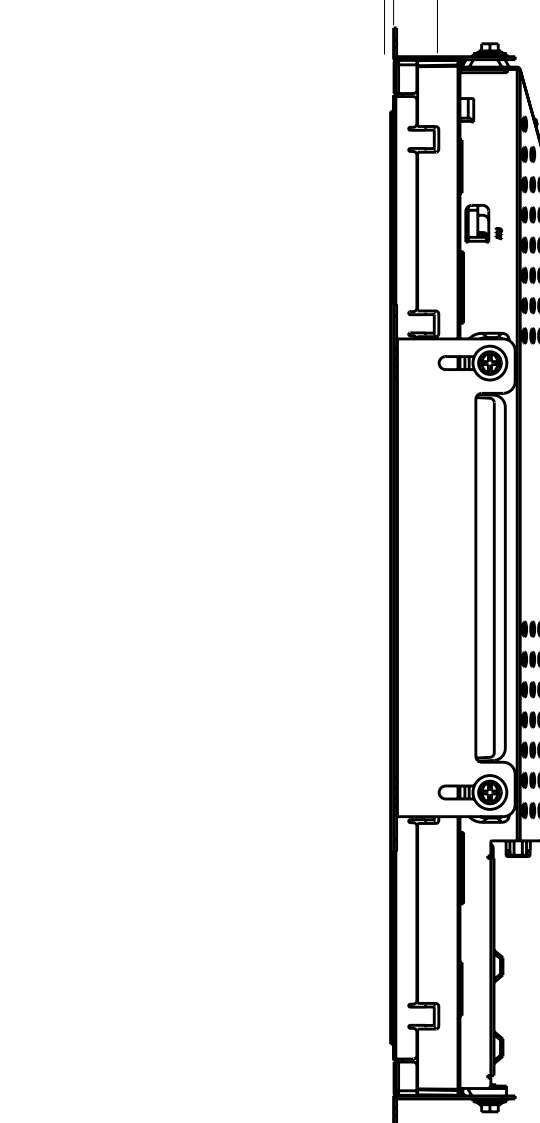
SIDE MOUNT, VERTICAL



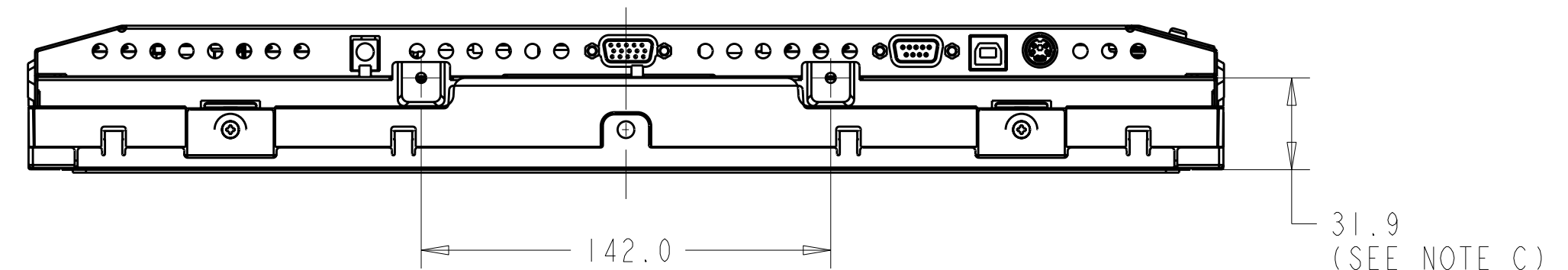
**REAR MOUNT WITH BRACKETS,
HORIZONTAL AND VERTICAL** (SEE NOTE B)

MOUNTING BRACKET ADJUSTMENT RANGE

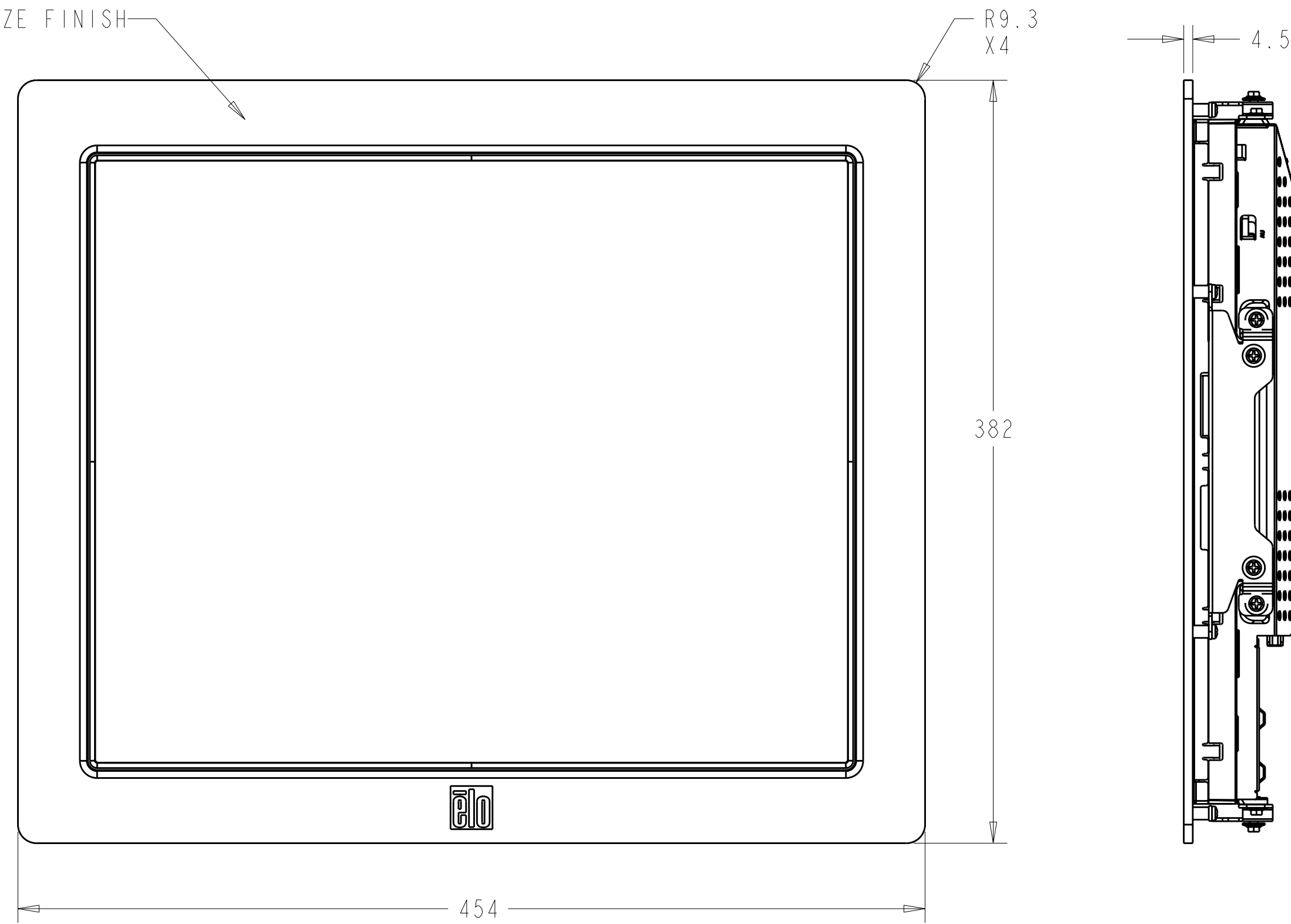
3.0 (SEE NOTE E) 14.5 (SEE NOTE D)



SIDE MOUNT, HORIZONTAL

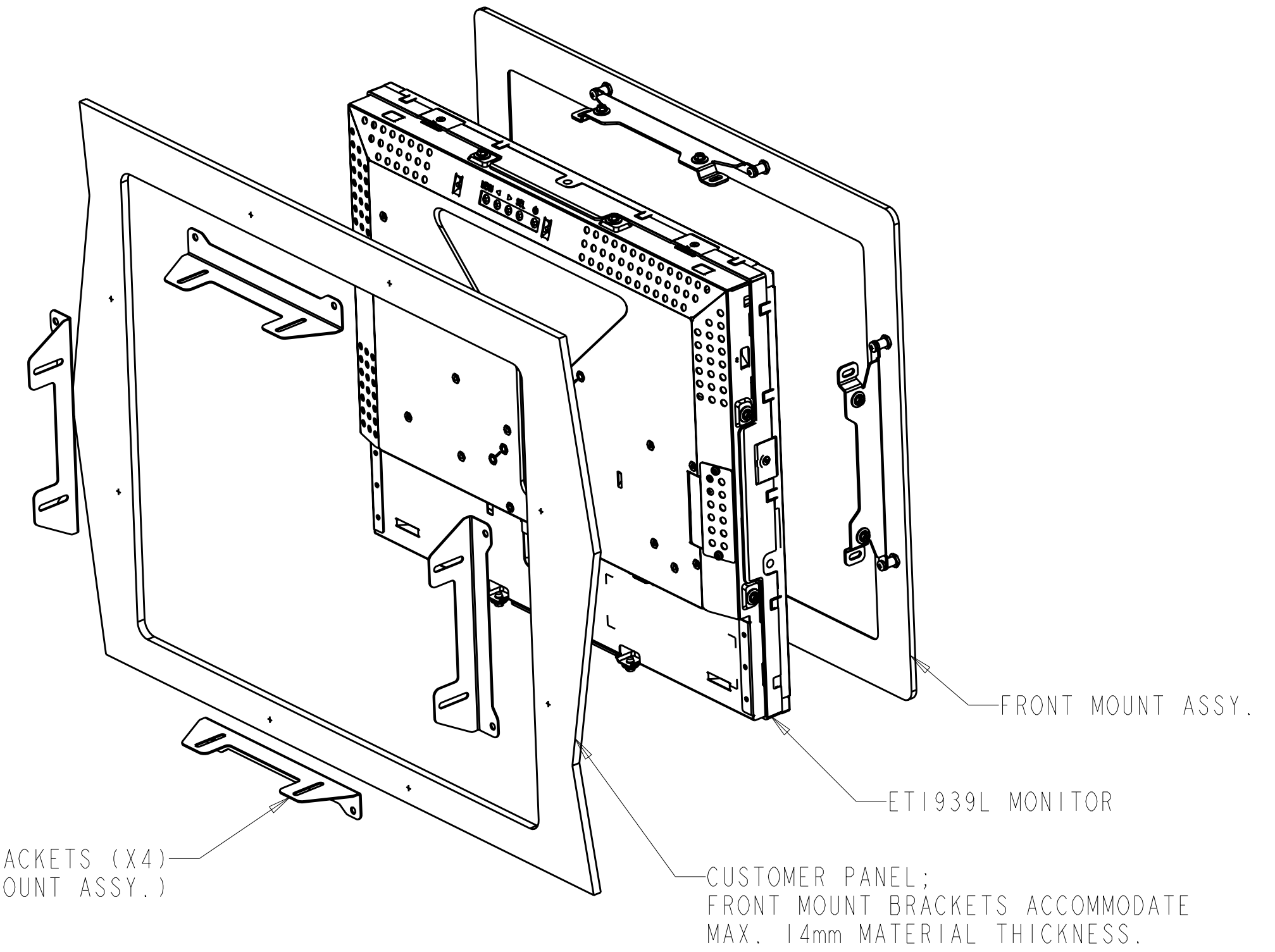


BLACK ANODIZE FINISH

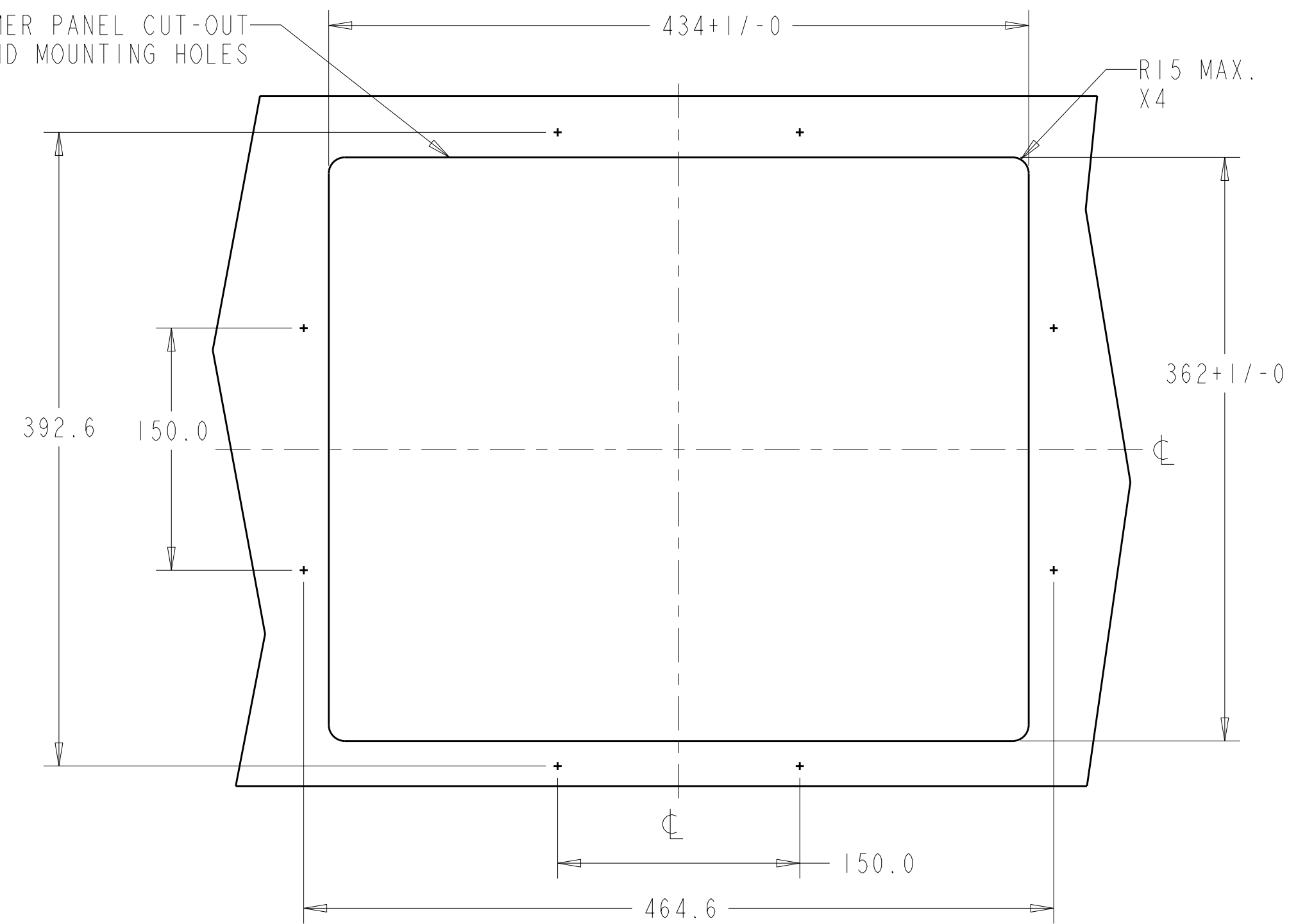


FRONT MOUNT OPTION
P/N E163604

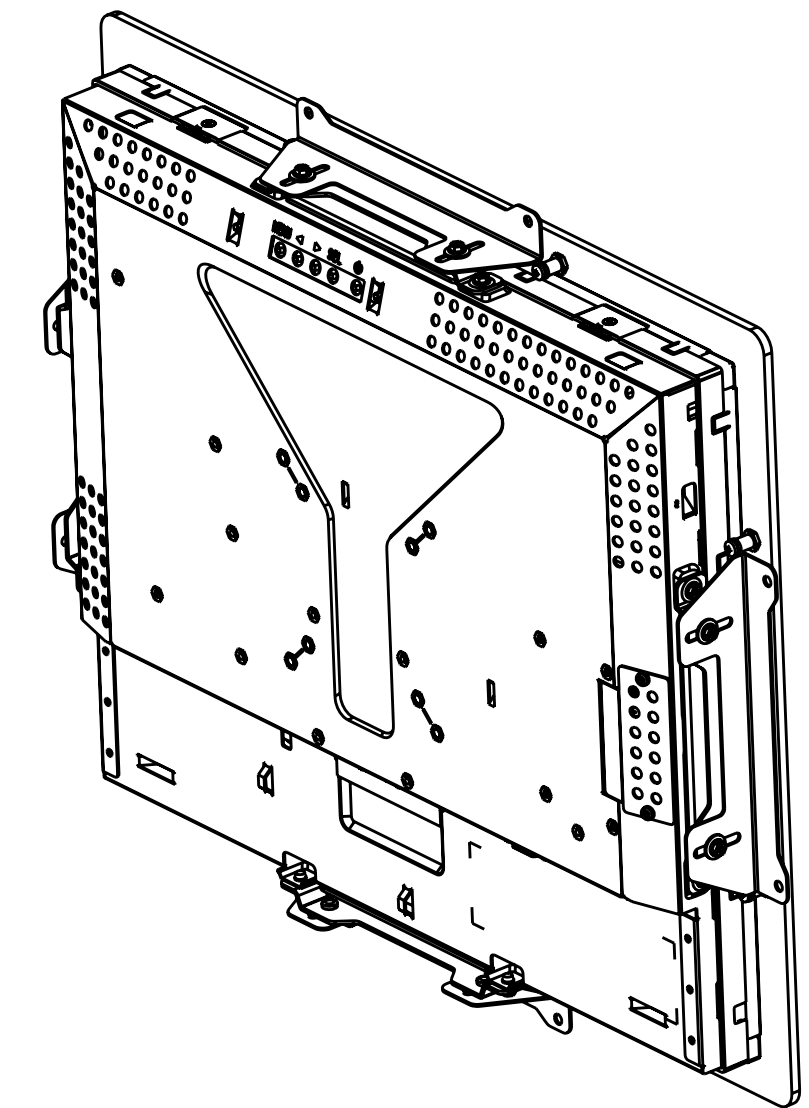
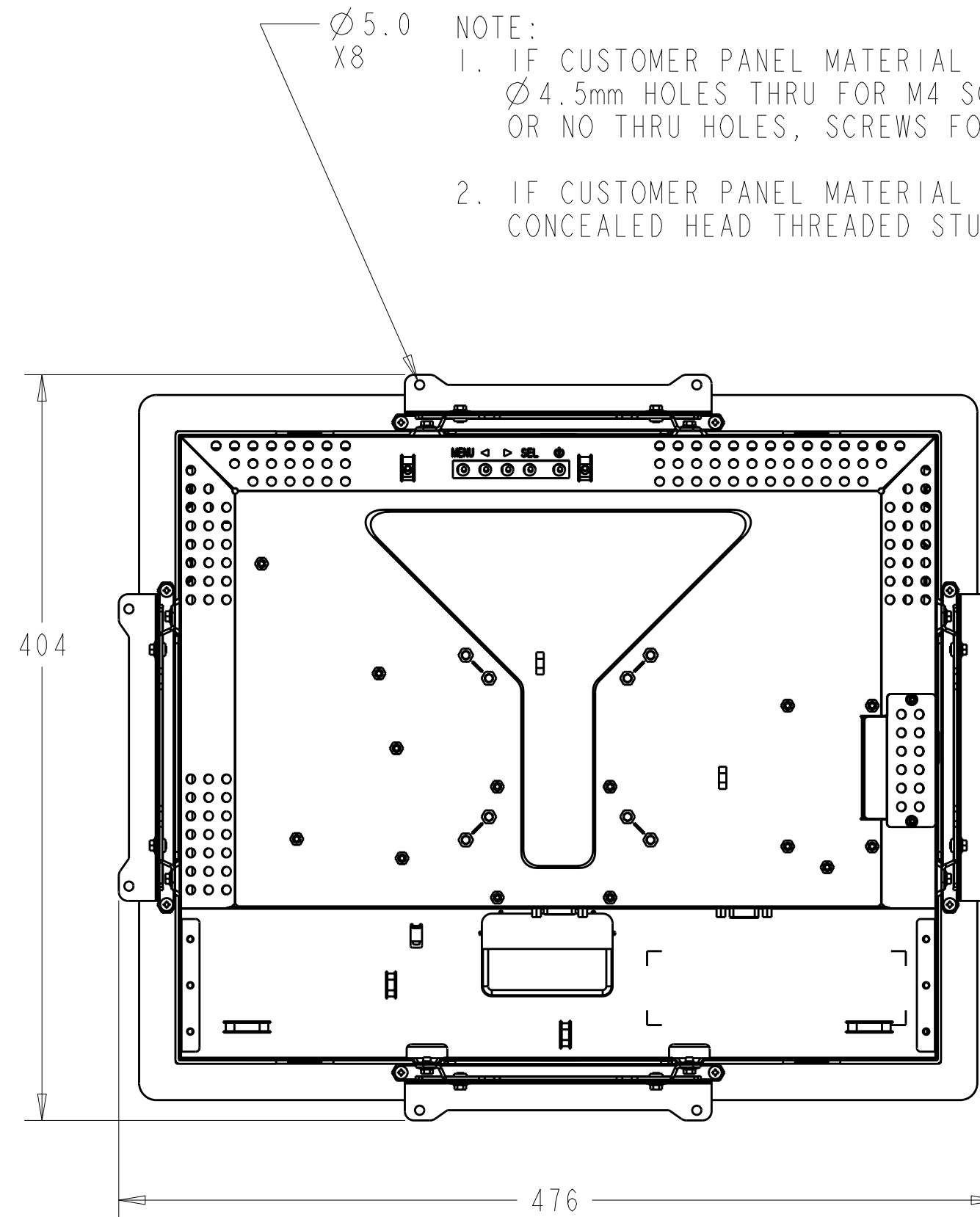
(ORDERED SEPARATLY, CUSTOMER ASSEMBLED)



CUSTOMER PANEL CUT-OUT AND MOUNTING HOLES



- NOTE:
 1. IF CUSTOMER PANEL MATERIAL IS WOOD:
 Ø4.5mm HOLES THRU FOR M4 SCREWS,
 OR NO THRU HOLES, SCREWS FOR WOOD Ø4mm.
 2. IF CUSTOMER PANEL MATERIAL IS SHEET METAL:
 CONCEALED HEAD THREADED STUDS M4 WITH NUTS.

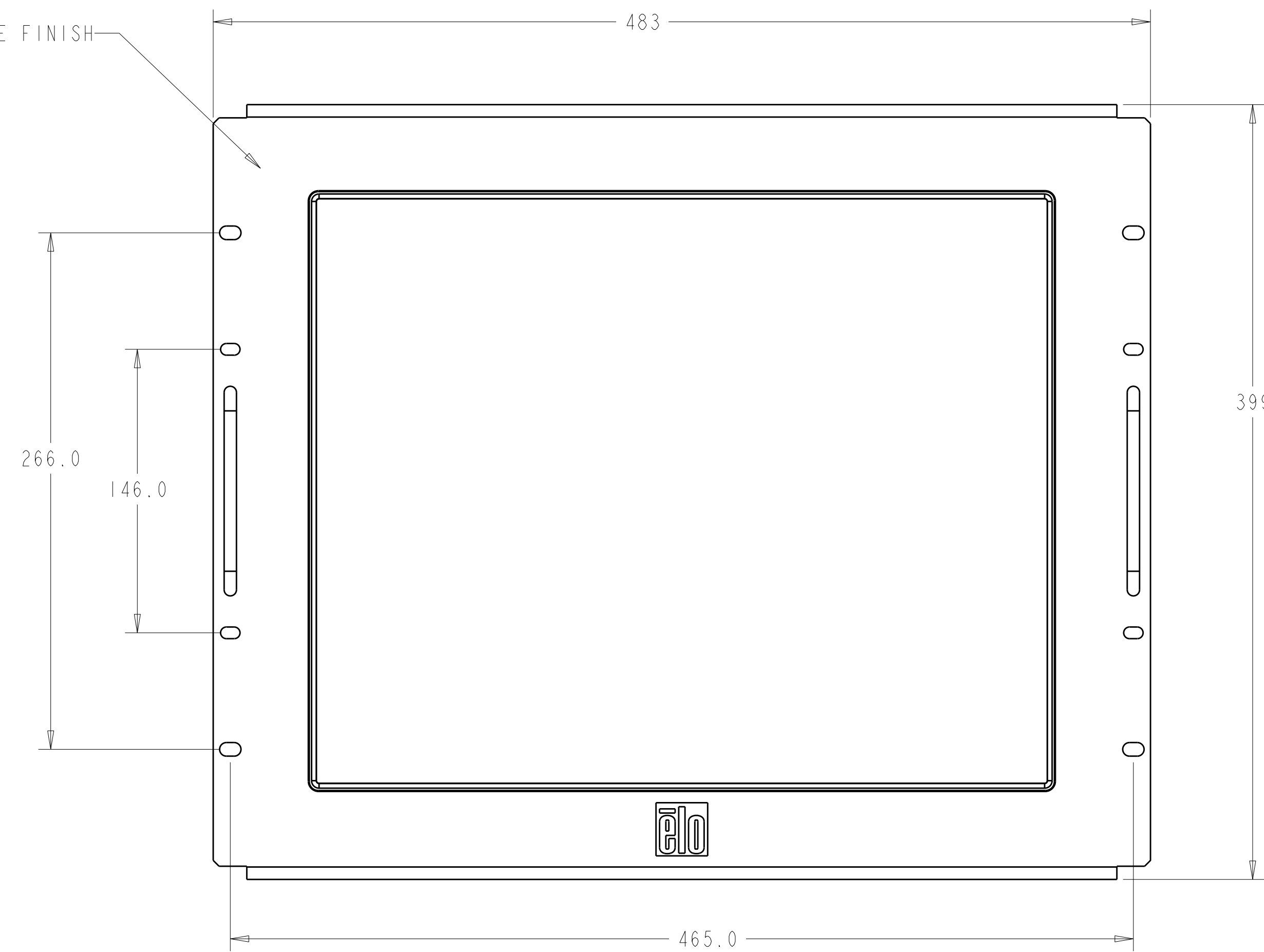


RACK MOUNT OPTION

P/N E579652

(ORDERED SEPERATLY, CUSTOMER ASSEMBLED)

BLACK ANODIZE FINISH



34.9 48.0 - 51.4

