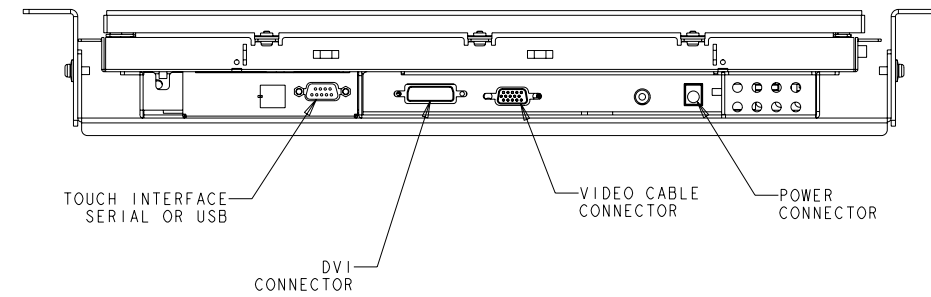
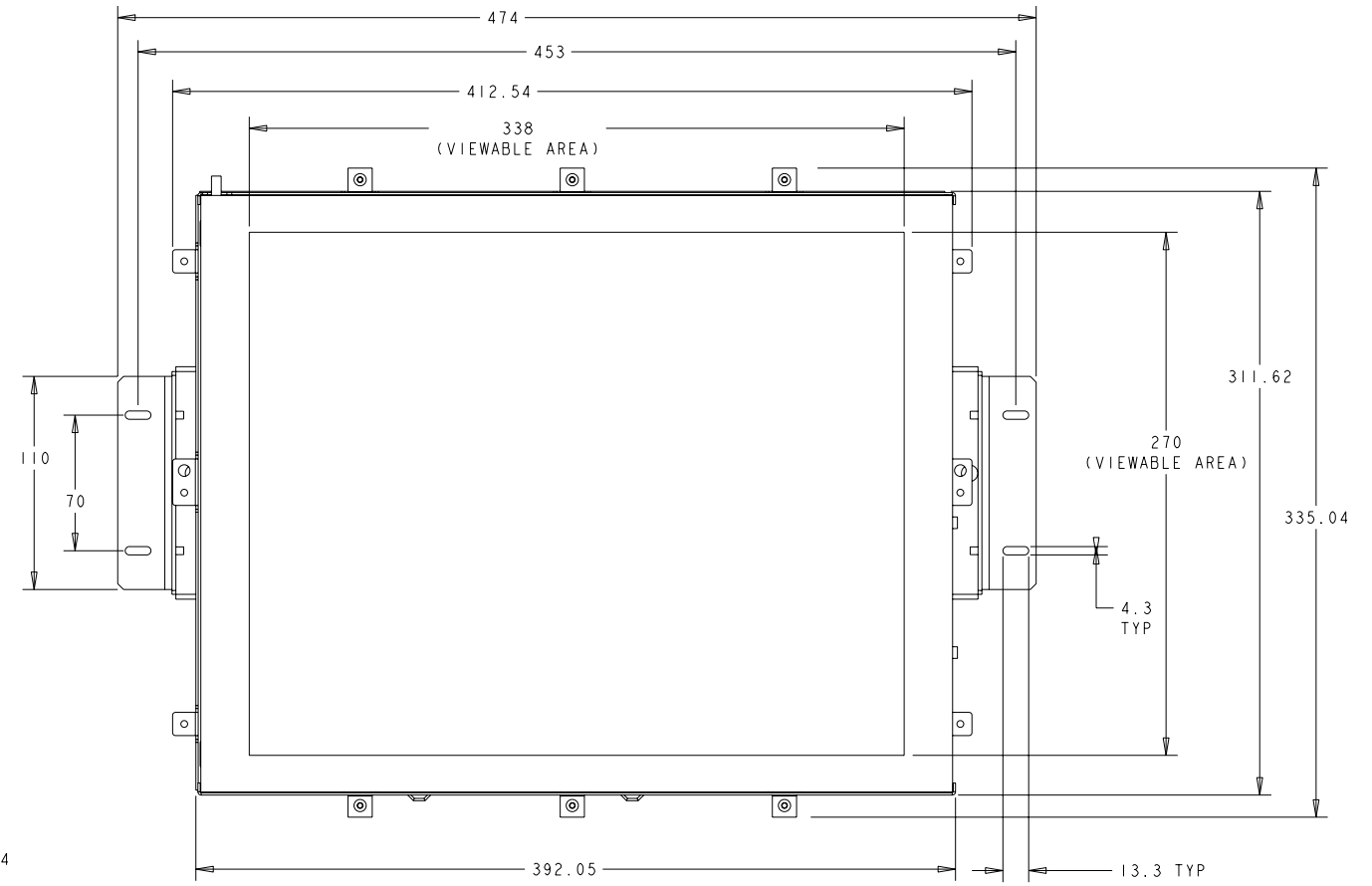
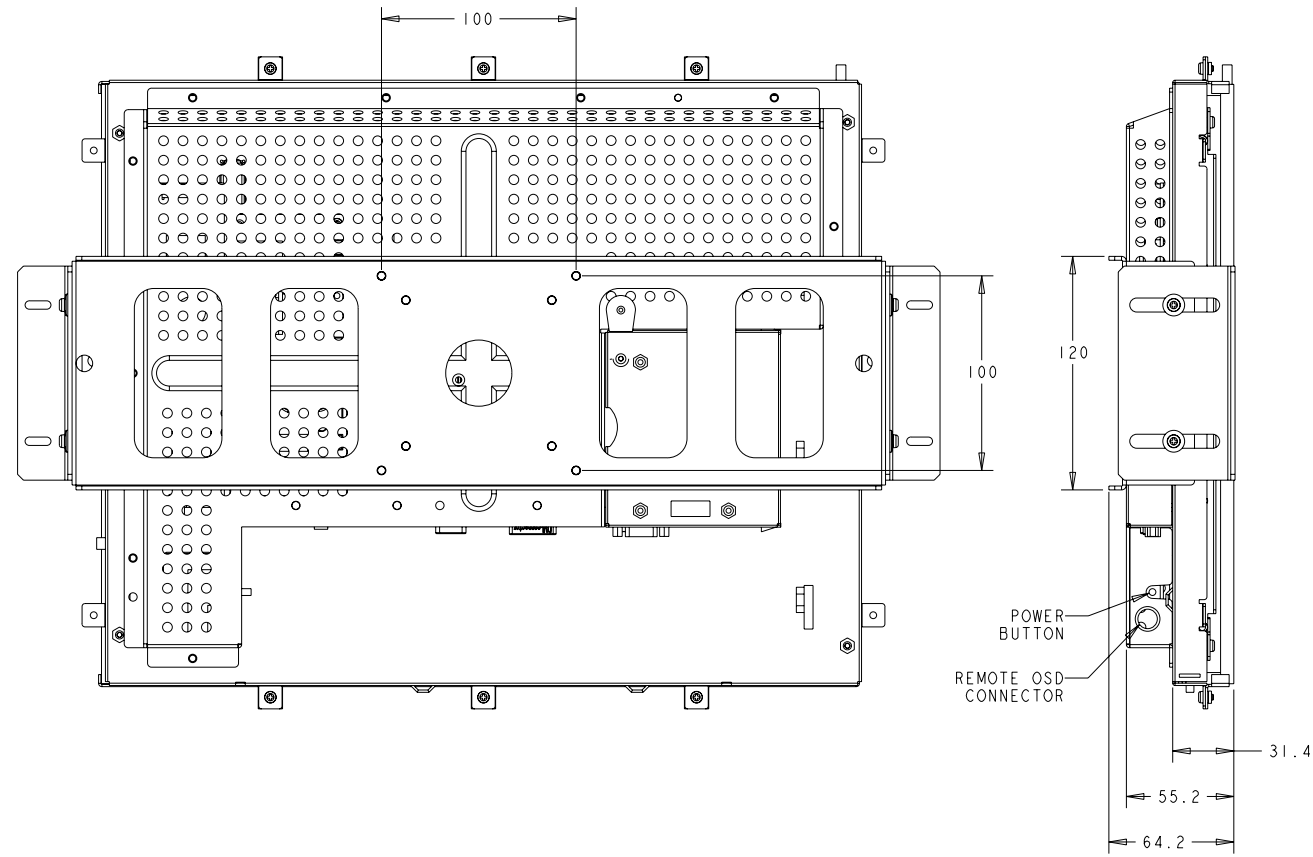


REAR MOUNT
ET1747L PROJECTED CAPACITIVE
THROUGH GLASS



PART NUMBER	PART DESCRIPTION
D80541-000	ET1747L-2SWF-1

DIMENSIONS ARE IN MILLIMETERS/INCHES

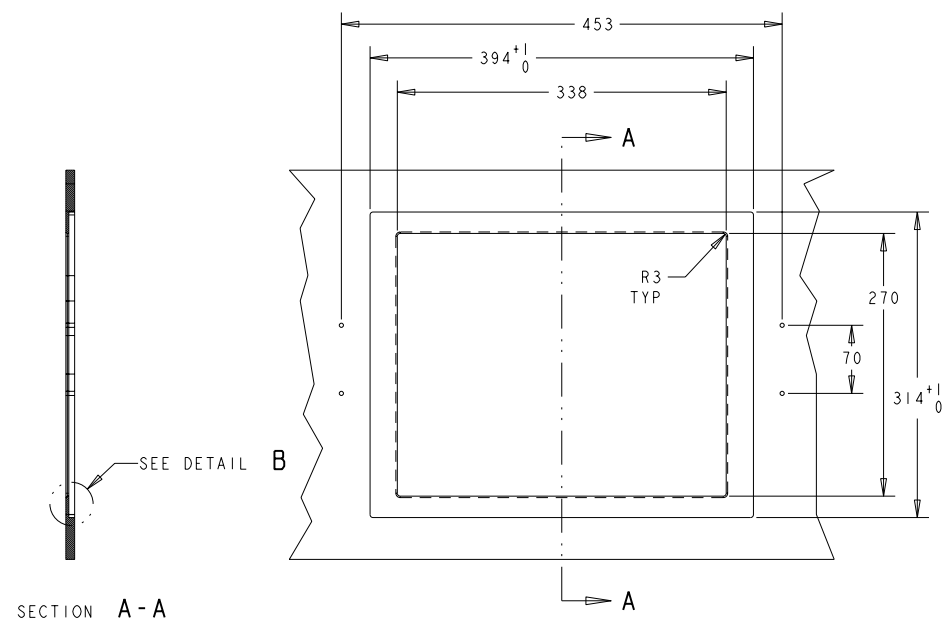
SHEET 1 OF 3



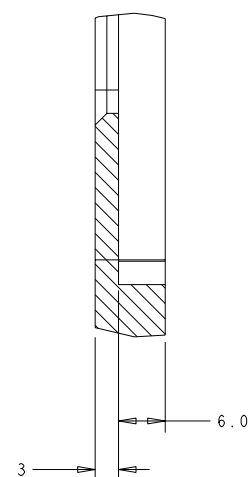
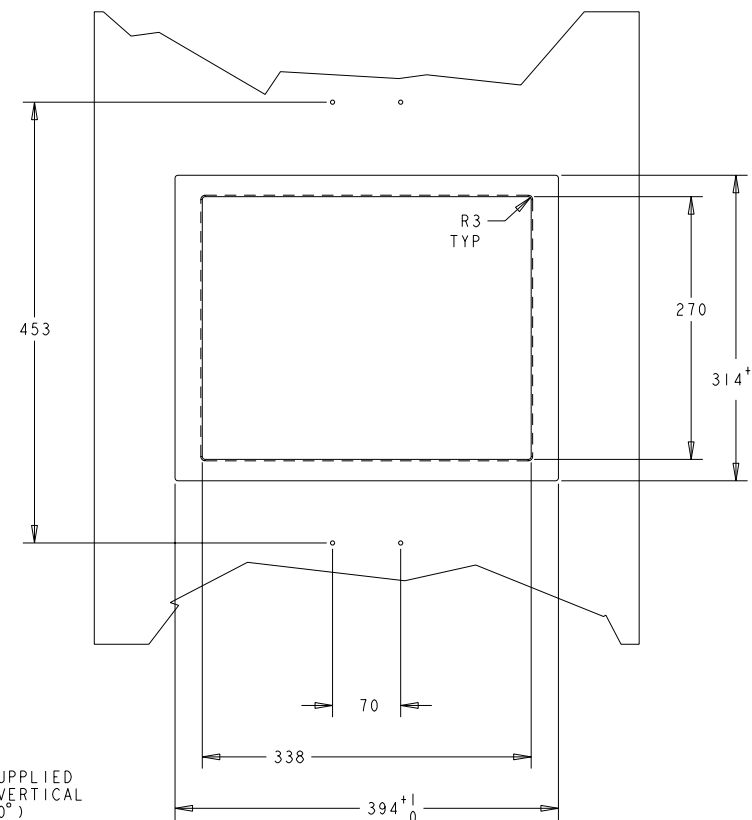
PLATE CUT OUT, ELO BRACKET INSTALLATION

HORIZONTAL BRACKET INSTALLATION

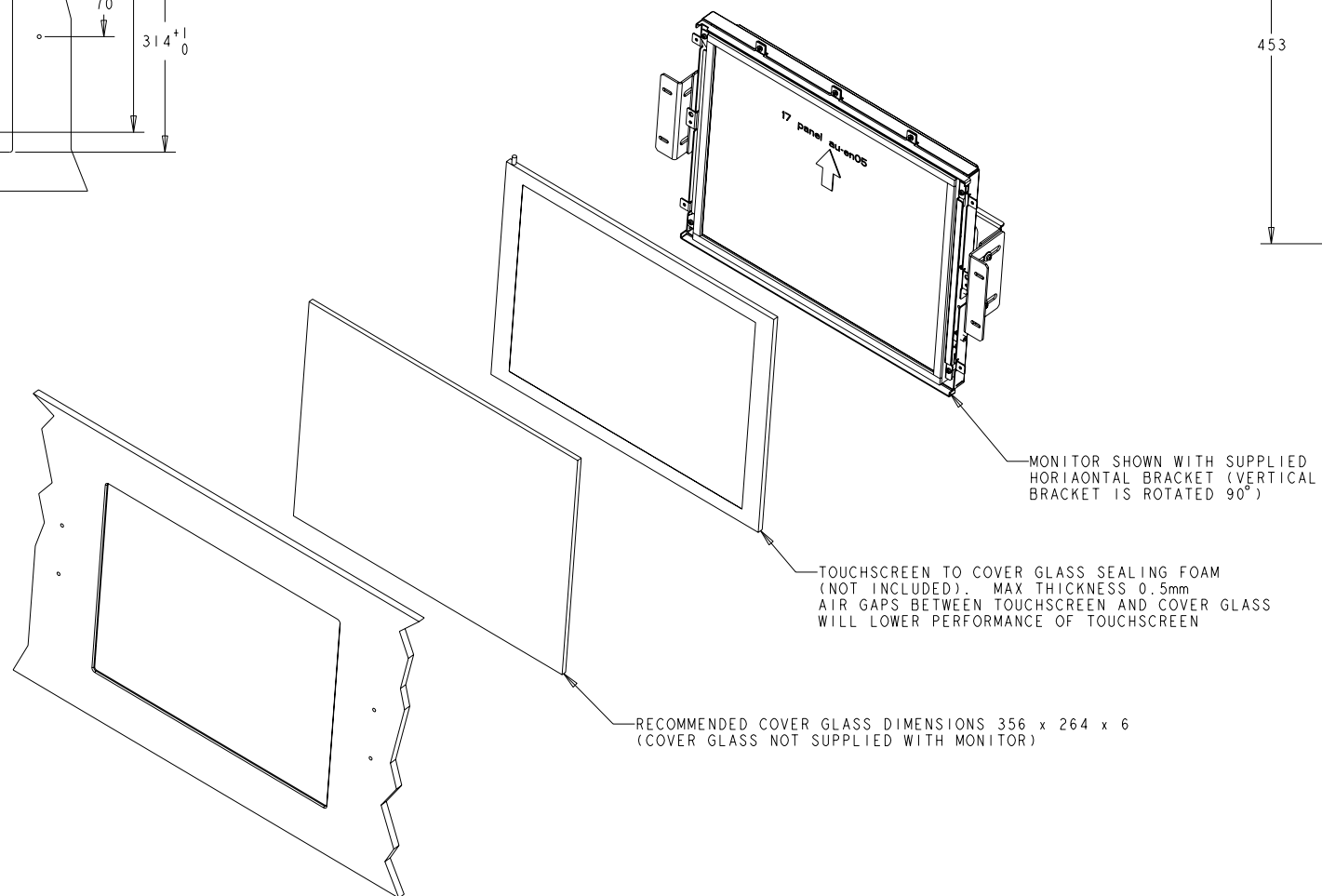
VERTICAL BRACKET INSTALLATION



SECTION A-A



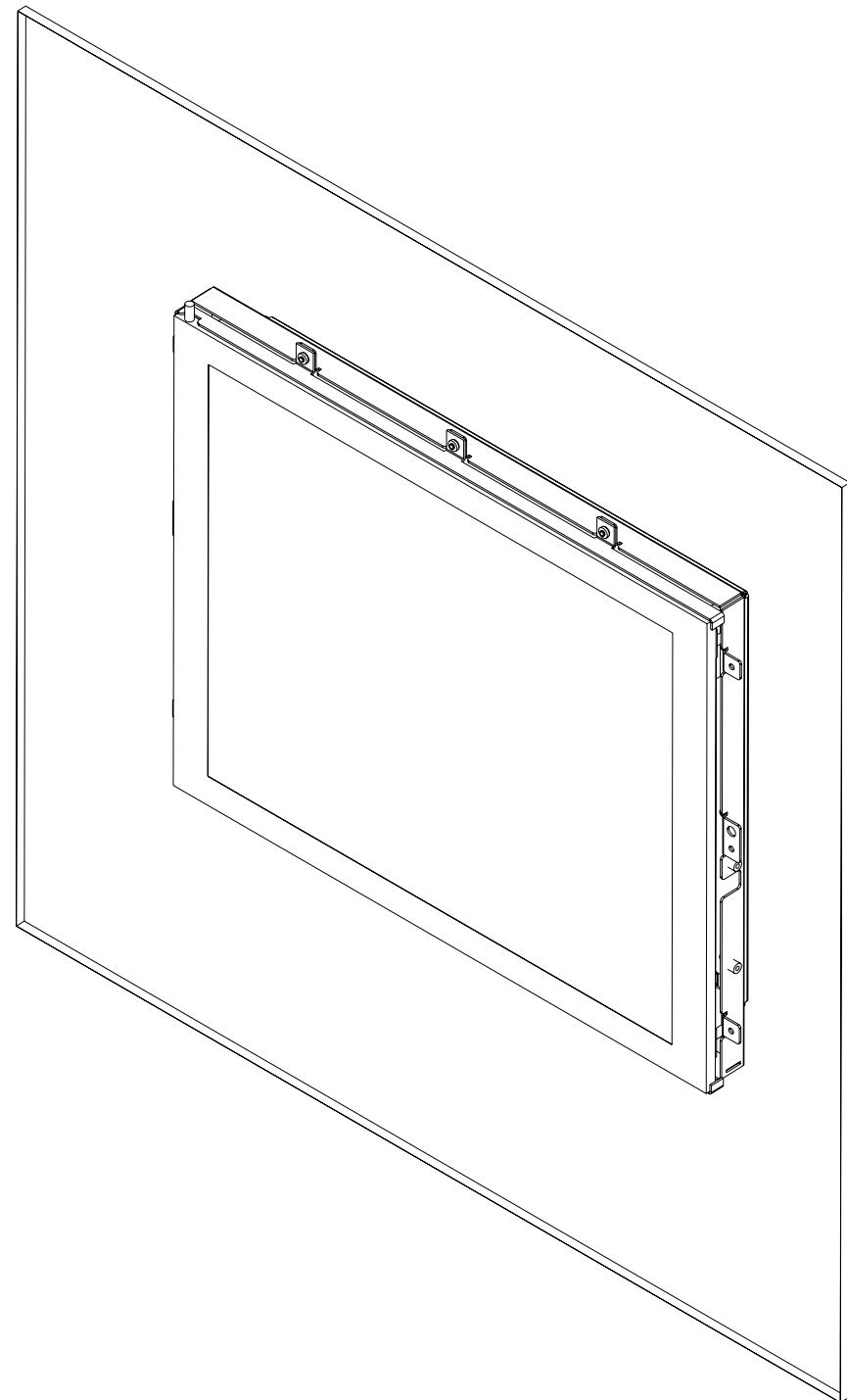
DETAIL B
SCALE 2:1
 PROFILE DIMENSIONS ARE IDENTICAL FOR HORIZONTAL OR VERTICAL BRACKET INSTALLATIONS.



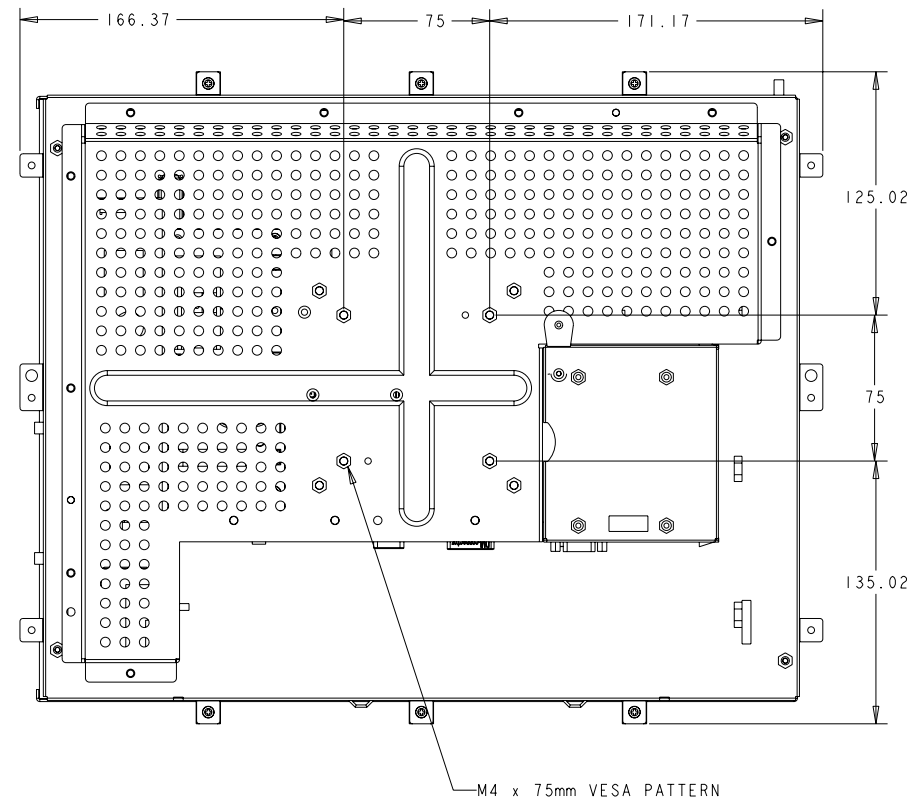
1. THIS MONITOR IS DESIGNED TO BE MOUNTED BEHIND A SEPARATE PIECE OF CUSTOMER SUPPLIED GLASS OR PLASTIC
2. IF A METAL BEZEL IS USED AROUND THIS MONITOR THE BEZEL MUST:
 - BE GROUNDED
 - BE SPACED MINIMUM 2MM FROM THE FRONT SURFACE OF THE TOUCH SCREEN
 - HAVE AN APERTURE THAT IS 10MM LARGER ON ALL SIDES THAN THE ACTIVE AREA OF THE TOUCH SCREEN
3. ALWAYS CONSULT USER MANUAL OR ELO TECHNICAL SUPPORT BEFORE DESIGNING INTEGRATED SOLUTIONS
4. MATERIAL:
 - WOOD: Ø4.5 HOLES THRU FOR M4 SCREWS W/ NUTS, OR NO THRU HOLES, SCREWS FOR WOOD Ø4
 - METAL: CONCEALED HEAD THREADED STUDS M4 W/ NUTS
5. 3D FILES AVAILABLE

DIMENSIONS ARE IN MILLIMETERS/INCHES

NO BRACKET INSTALLATION



CUSTOMER SUPPLIED COVER GLASS
(I.E. STORE FRONT WINDOW)



1. THIS MONITOR IS DESIGNED TO BE MOUNTED BEHIND A SEPARATE PIECE OF CUSTOMER SUPPLIED GLASS OR PLASTIC
2. IF A METAL BEZEL IS USED AROUND THIS MONITOR THE BEZEL MUST:
 - BE GROUNDED
 - BE SPACED MINIMUM 2MM FROM THE FRONT SURFACE OF THE TOUCH SCREEN
 - HAVE AN APERTURE THAT IS 10MM LARGER ON ALL SIDES THAN THE ACTIVE AREA OF THE TOUCH SCREEN
3. ALWAYS CONSULT USER MANUAL OR ELO TECHNICAL SUPPORT BEFORE DESIGNING INTEGRATED SOLUTIONS
4. MATERIAL:
 - WOOD: Ø4.5 HOLES THRU FOR M4 SCREWS W/ NUTS,
OR NO THRU HOLES, SCREWS FOR WOOD Ø4
 - METAL: CONCEALED HEAD THREADED STUDS M4 W/ NUTS
5. 3D FILES AVAILABLE

DIMENSIONS ARE IN MILLIMETERS/INCHES

SHEET 3 OF 3

