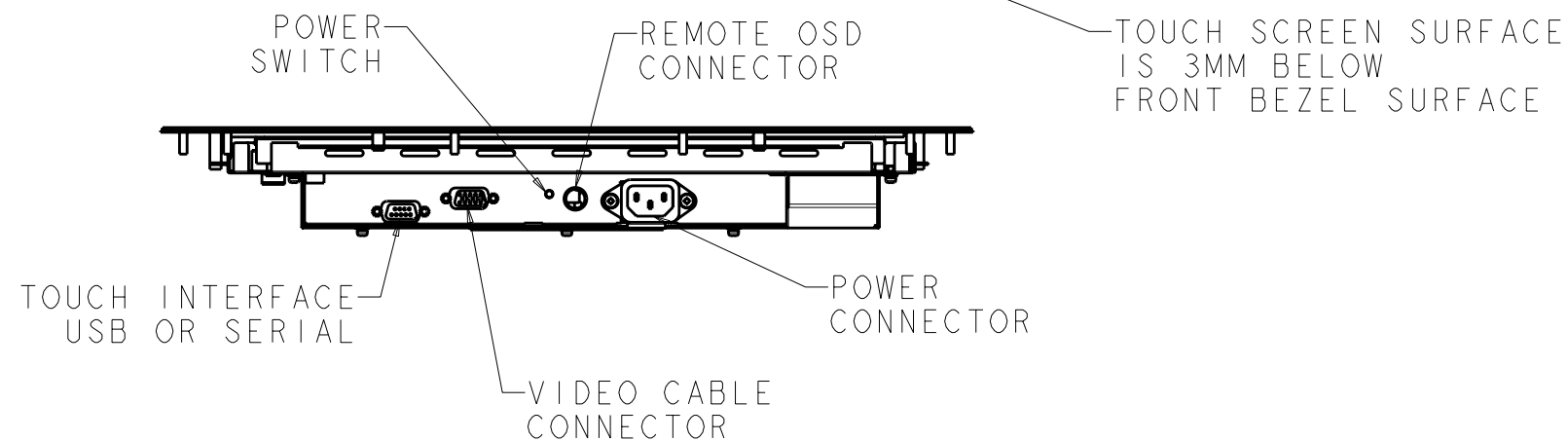
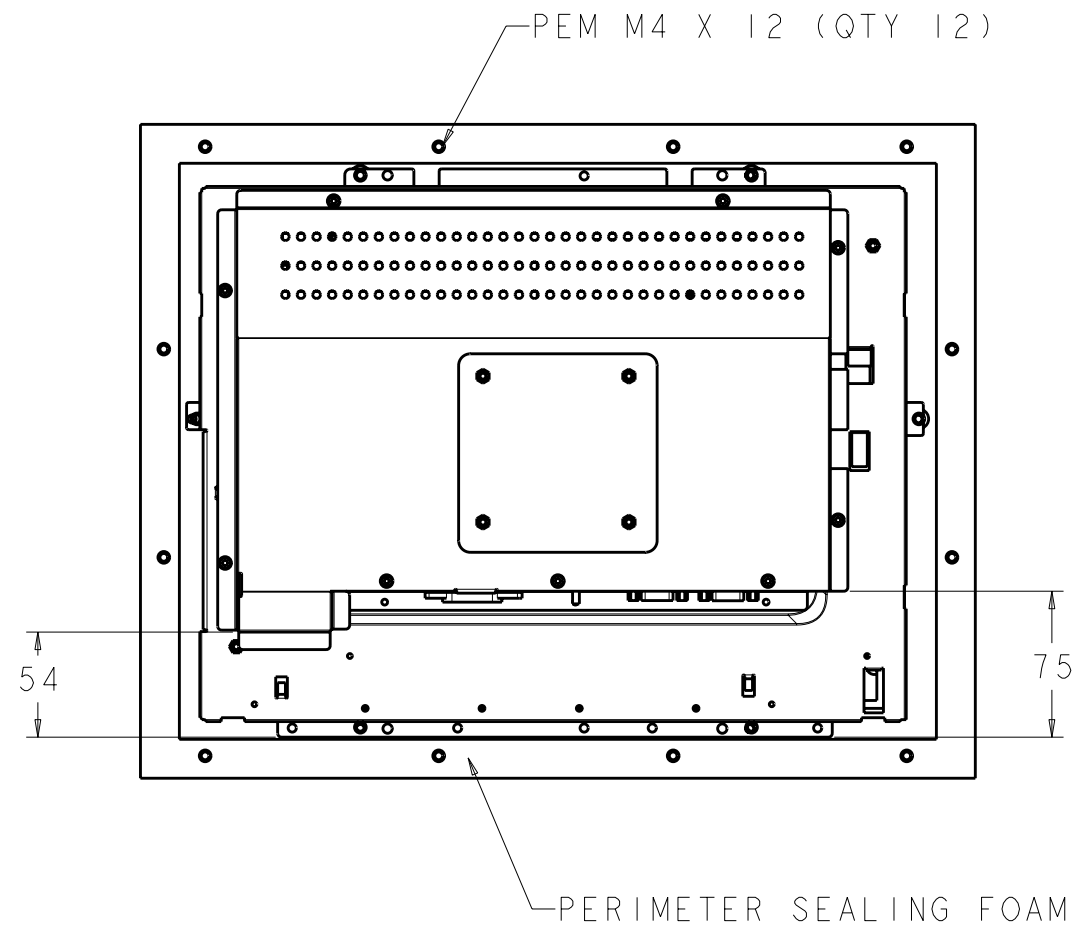
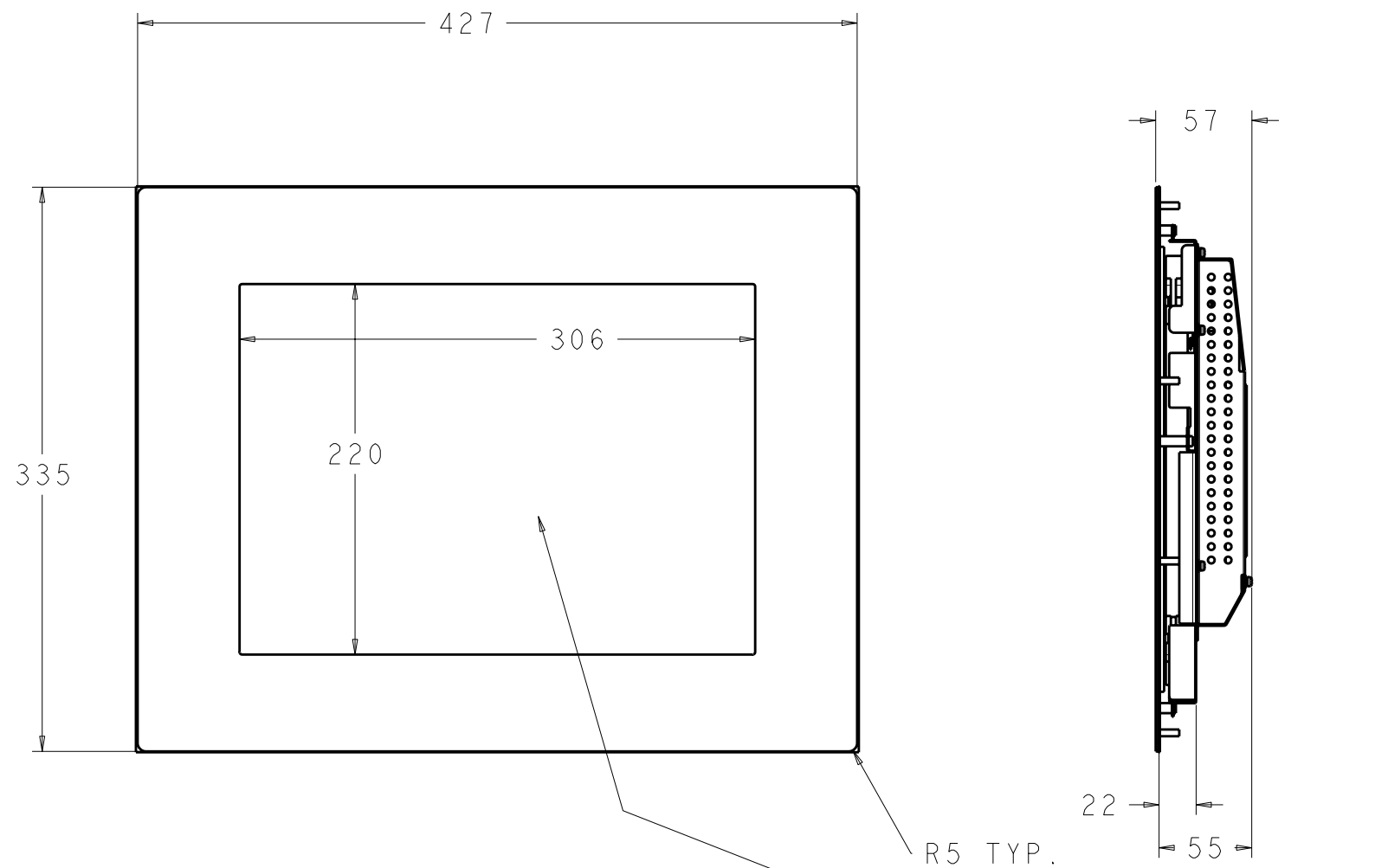


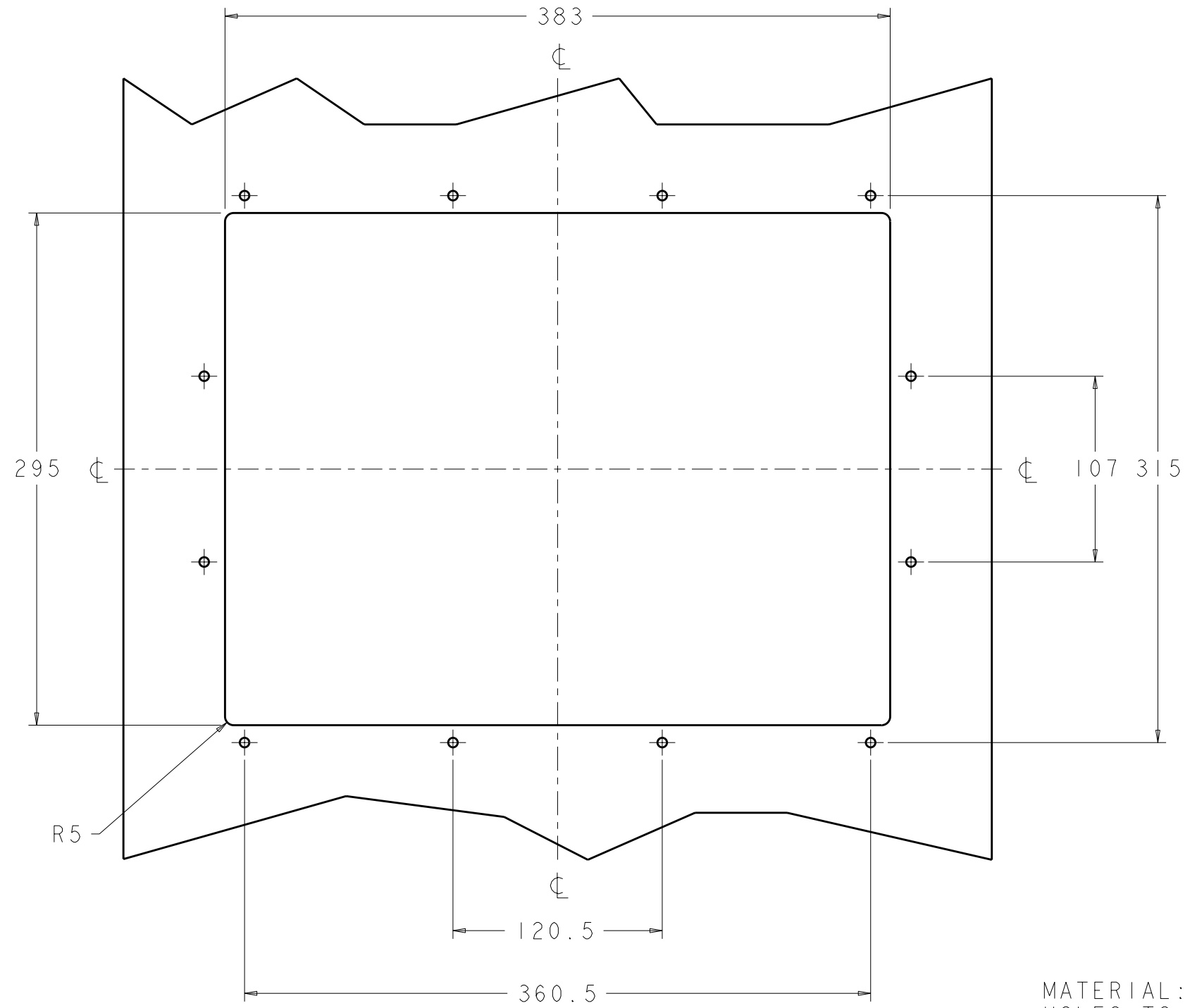
ET1567L SERIES (IP65)



PART NUMBER	PART DESCRIPTION
E63442-000	ET1567L-7SWC-1-IP65

DIMENSIONS ARE IN MILLIMETERS

ET1567L IP65 SERIES INSTALL



MATERIAL:  
HOLES TO BE M4 CLEARANCE

DIMENSIONS ARE IN MILLIMETERS

SHEET 2 OF 2

