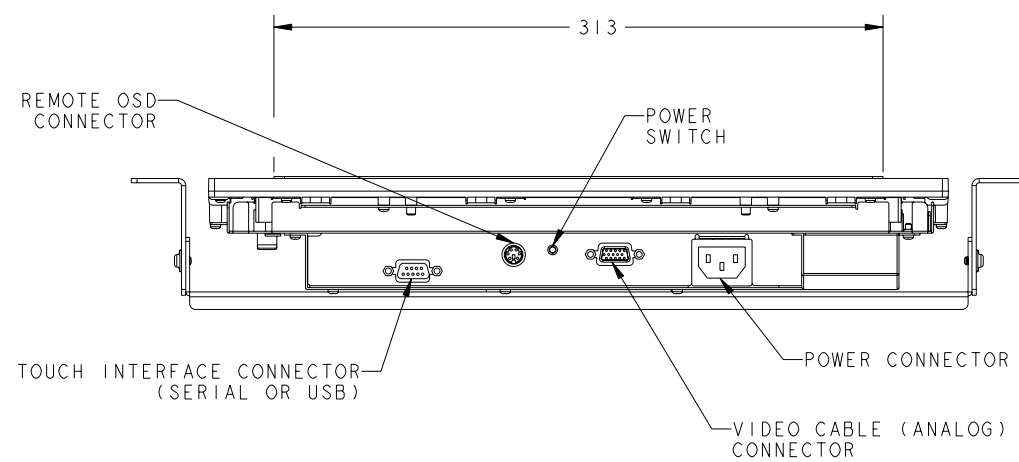
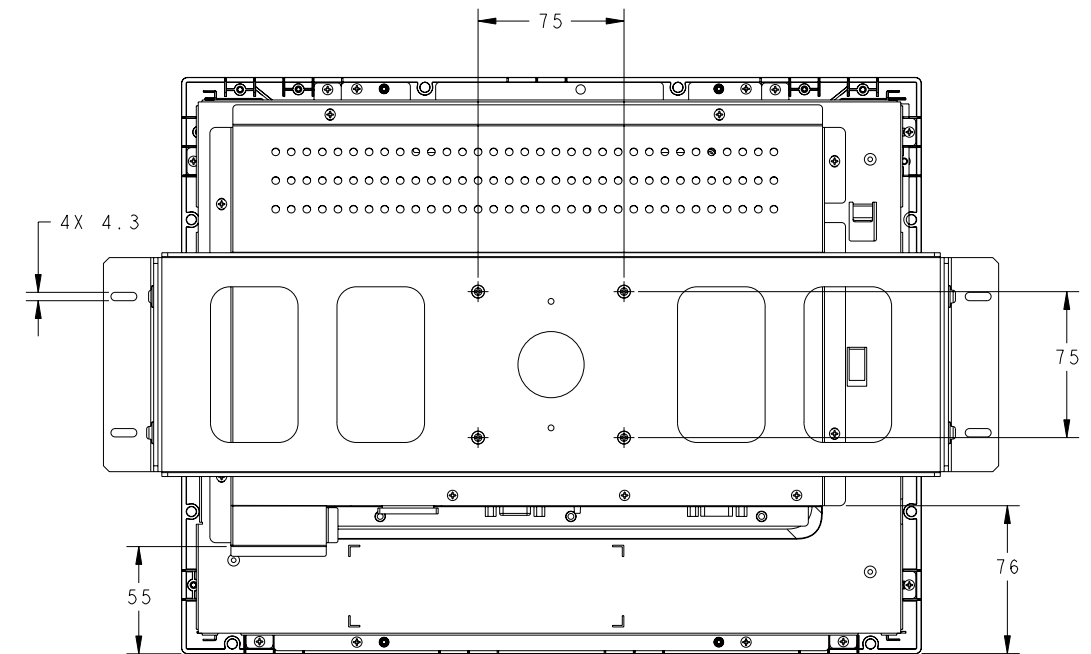
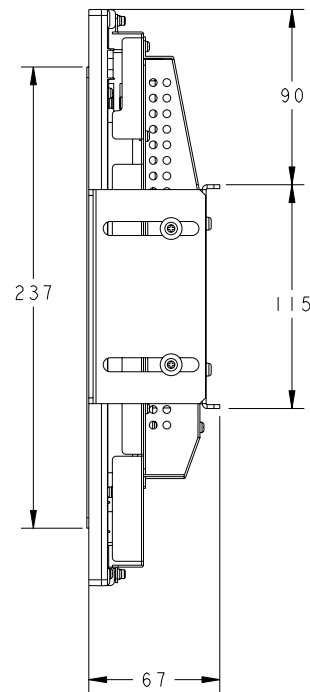
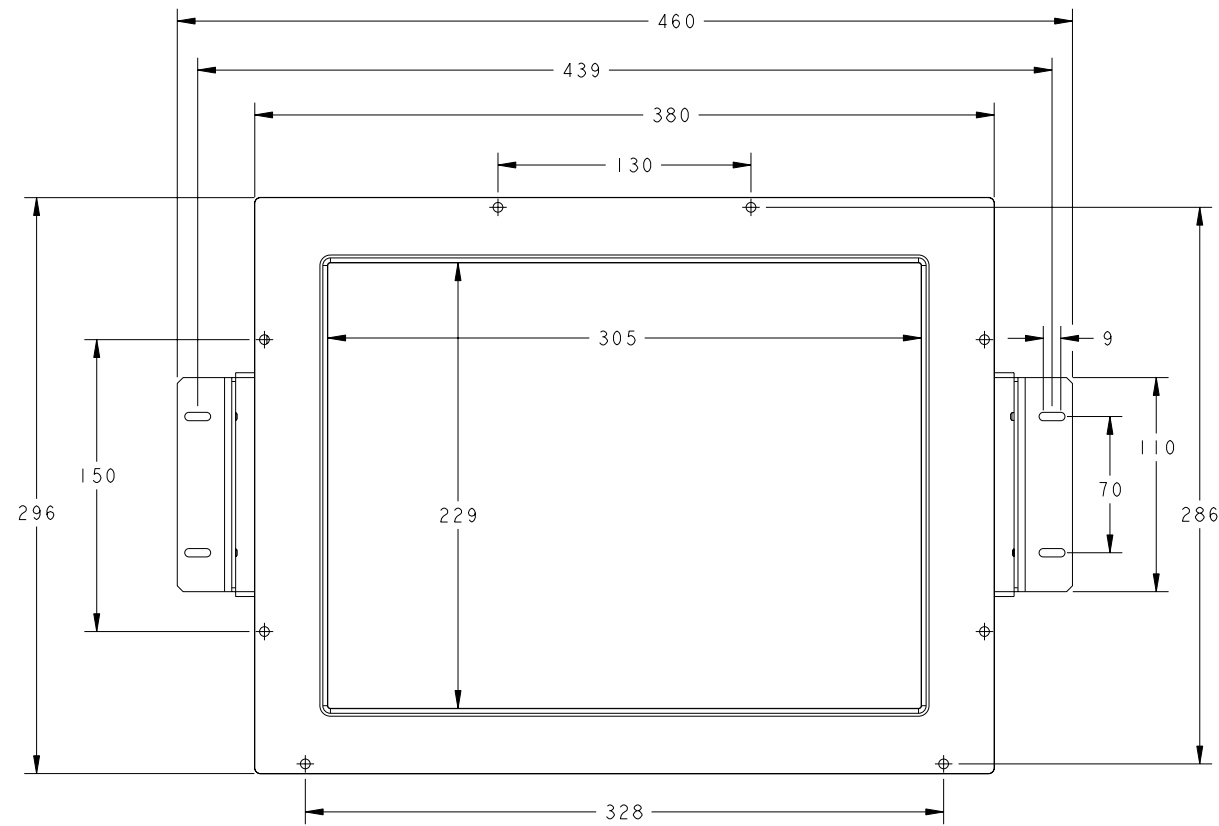


REAR MOUNT, 1000 SERIES
MODEL ET1546L

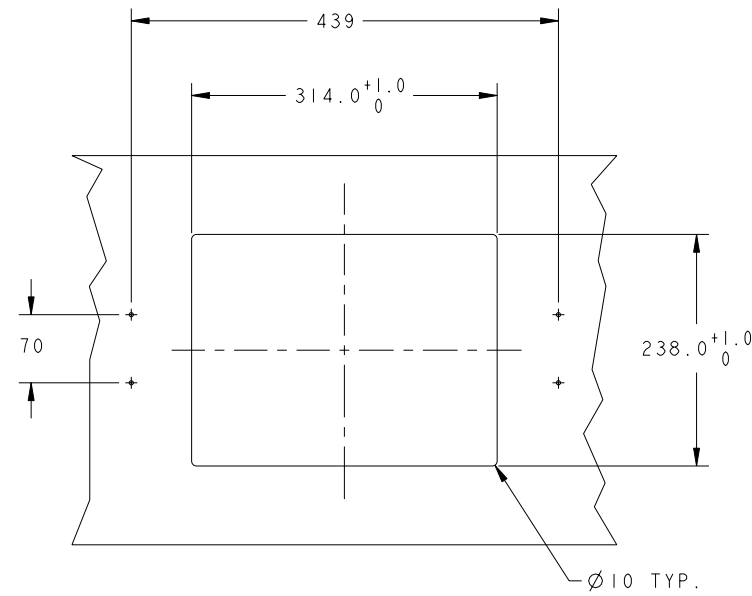


SHEET 1 OF 2
SCALE 1:2

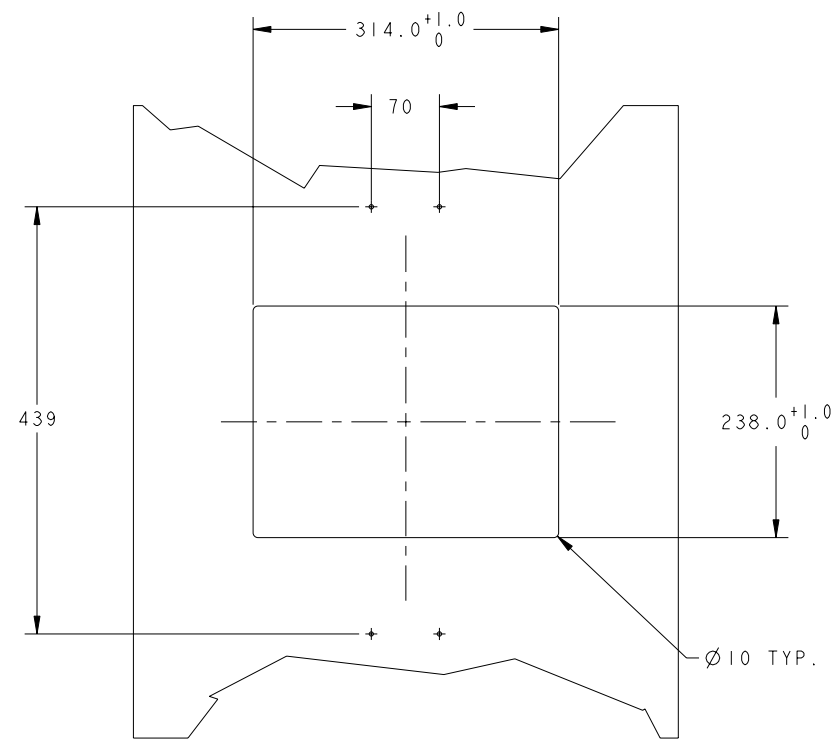
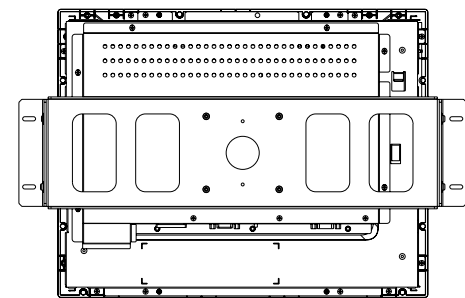
PART NUMBER	PART DESCRIPTION
C27979-000	ET1546L-8SWA-1
D94001-000	ET1546L-8UWA-1

DIMENSIONS ARE IN MILLIMETERS

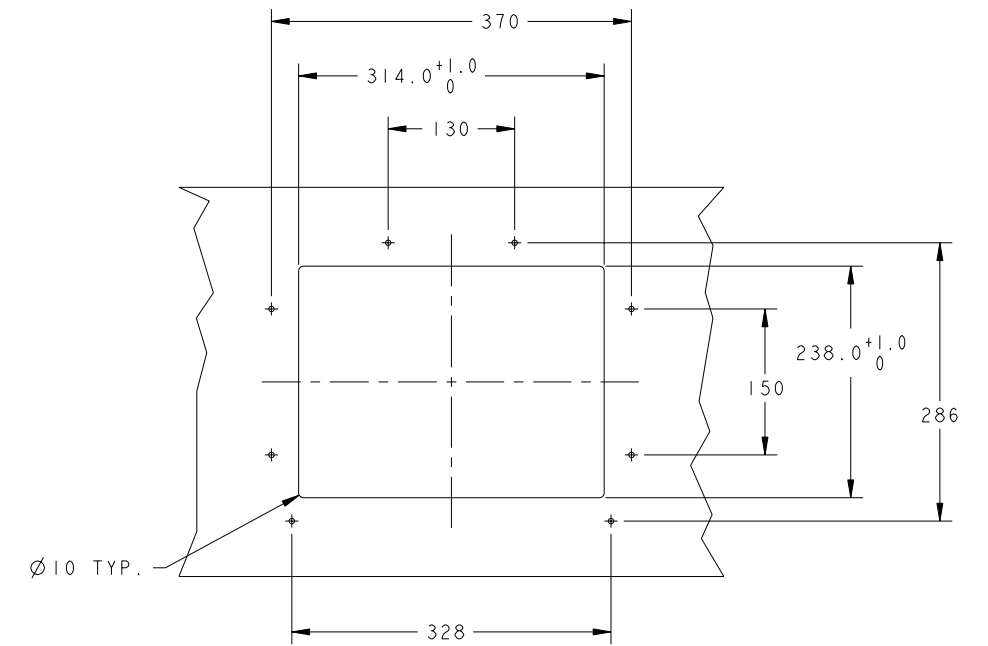
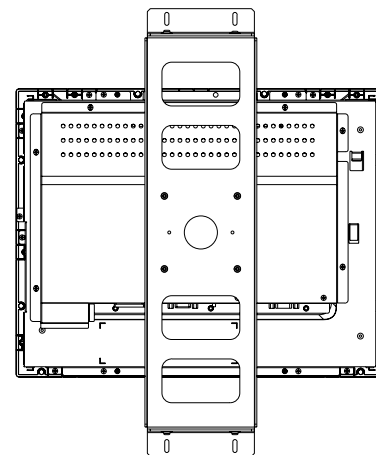
PLATE CUT OUT, REAR MOUNT



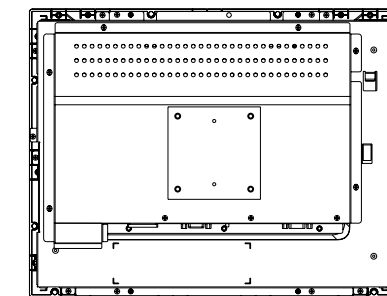
HORIZONTAL INSTALLATION



VERTICAL INSTALLATION



NO BRACKET INSTALLATION



NOTES:

MATERIAL:

- 1.) WOOD: Ø4.5 HOLES THRU FOR M4 SCREWS W/ NUTS, OR NO THRU HOLES, SCREWS FOR WOOD Ø4MM.
- 2.) SHEETMETAL: CONCEALED HEAD THREADED STUDS M4 W/ NUTS

NOTE:
3D FILES AVAILABLE
SHEET 2 OF 2

DIMENSIONS ARE IN MILLIMETERS