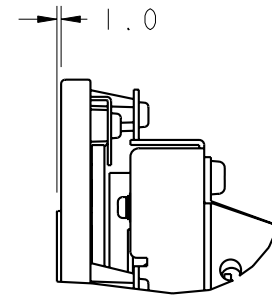
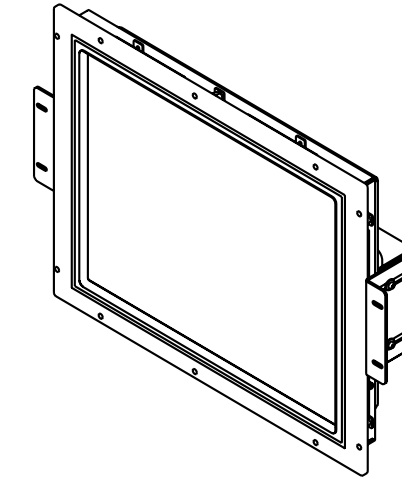
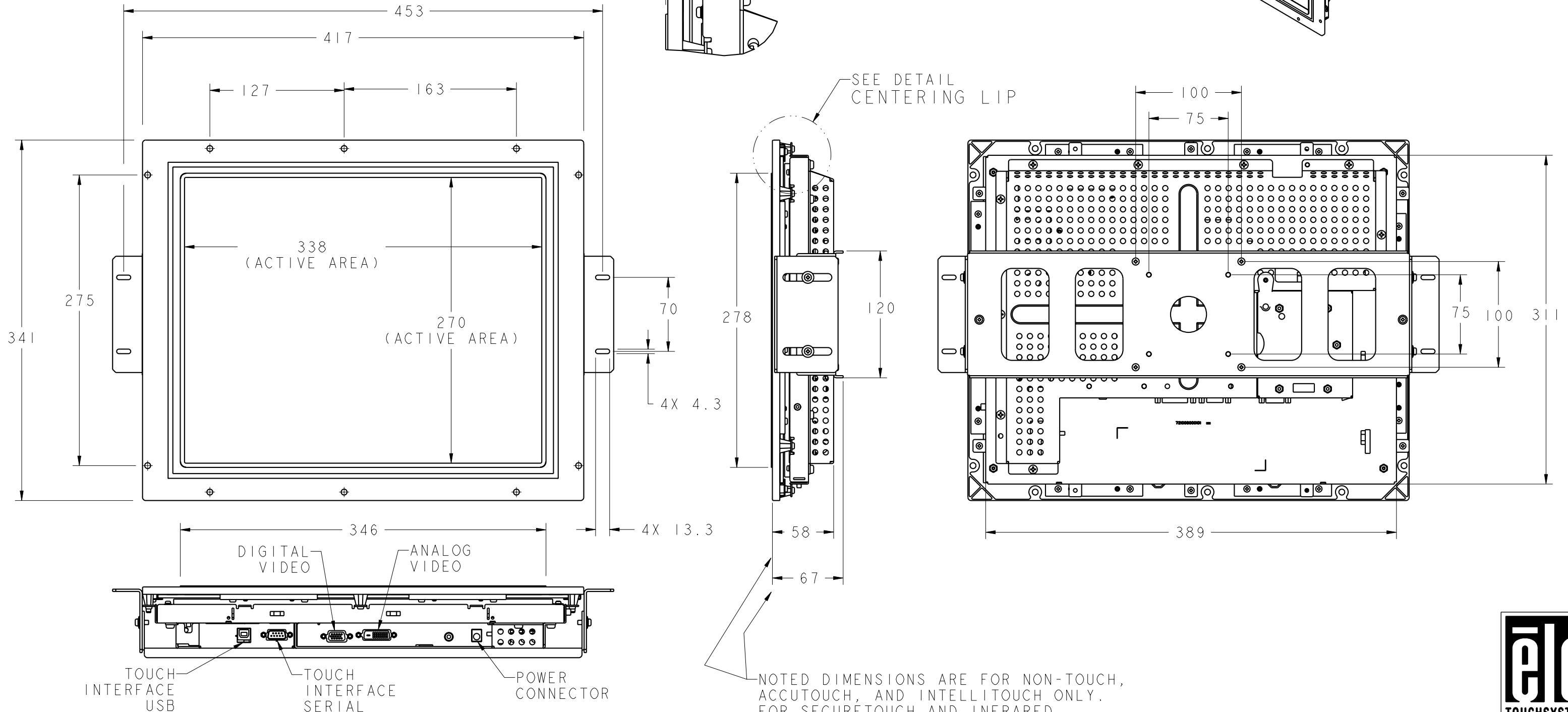


REAR MOUNT  
MODEL ET1747L SERIES

	P/N	DESCRIPTION
<b>MONITOR</b>	207124-001	ET1747L-6CWF-1
	238212-001	ET1747L-7CWF-1
	736650-001	ET1747L-8CWF-1
	E85776-001	ET1747L-9SWF-1
	D45620-001	ET1747L-9UWF-1
	D55621-001	ET1747L-0NWF-1
	F90355-000	ET1747L-1SWF-1
<b>FRONT/PANEL MOUNT BEZEL</b>	D74916-000	ELO-PLATE17 MODULAR-LCD



DETAIL  
CENTERING LIP  
SCALE 1:1



NOTED DIMENSIONS ARE FOR NON-TOUCH, ACCUTOUCH, AND INTELLITOUCH ONLY. FOR SECURETOUCH AND INFRARED ADD 3.5 MM TO EACH MEASUREMENT.

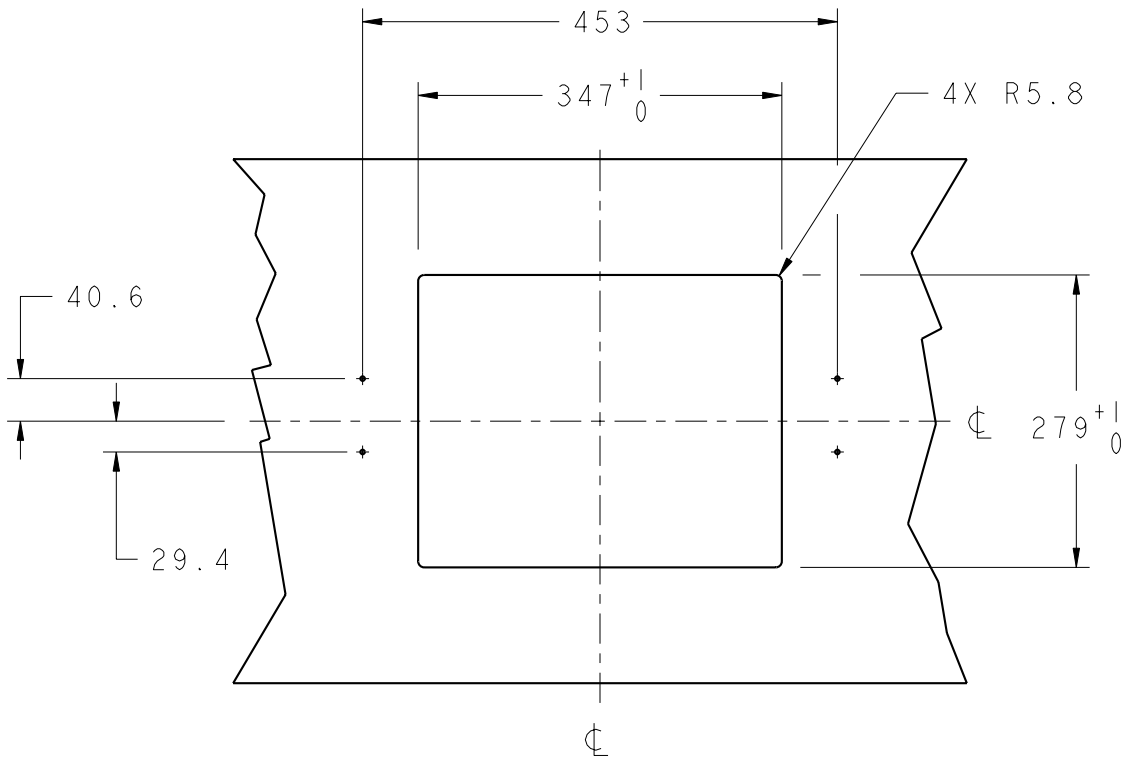
DIMENSIONS ARE IN MILLIMETERS

3D CAD FILES AVAILABLE

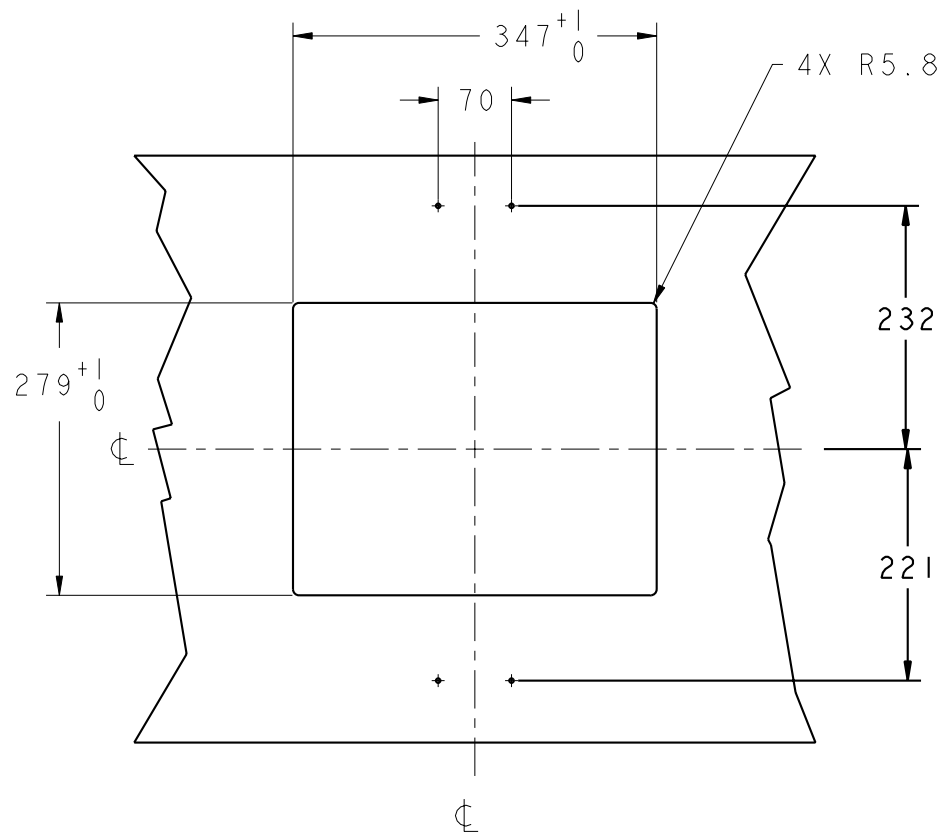
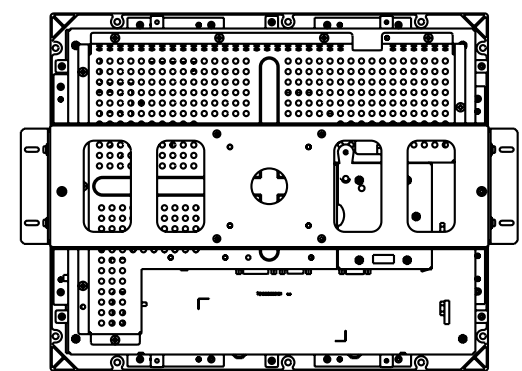
SHT. 1 OF 5



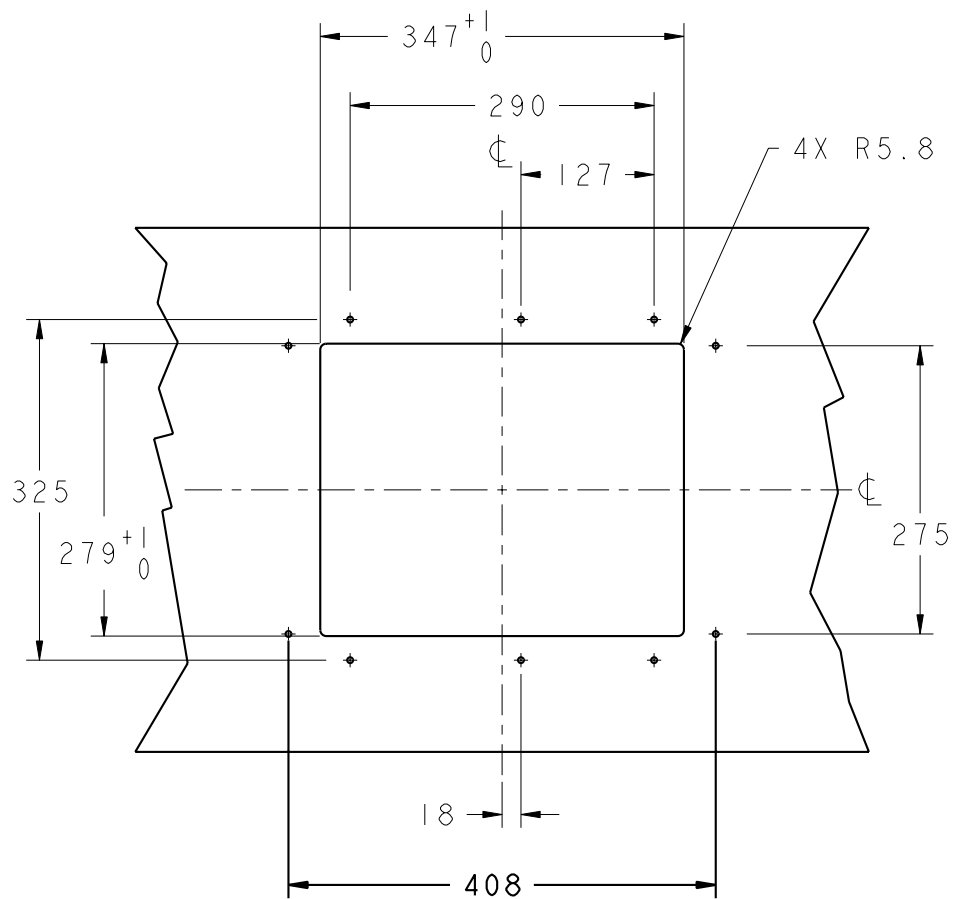
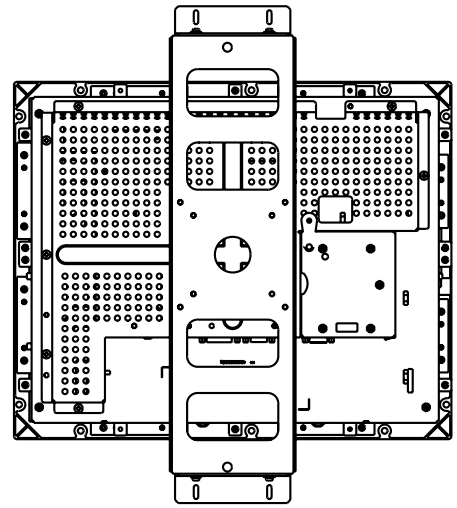
REAR MOUNT  
PLATE CUT OUT



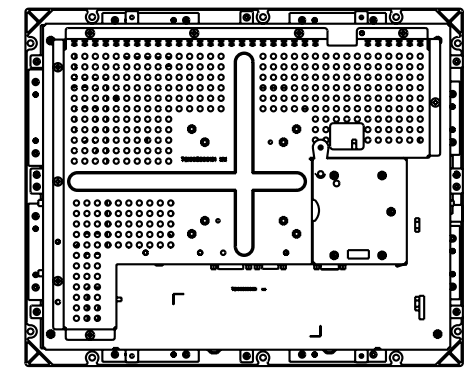
HORIZONTAL  
INSTALLATION



VERTICAL  
INSTALLATION



THRU HOLES  
(NO BRACKET)  
INSTALLATION

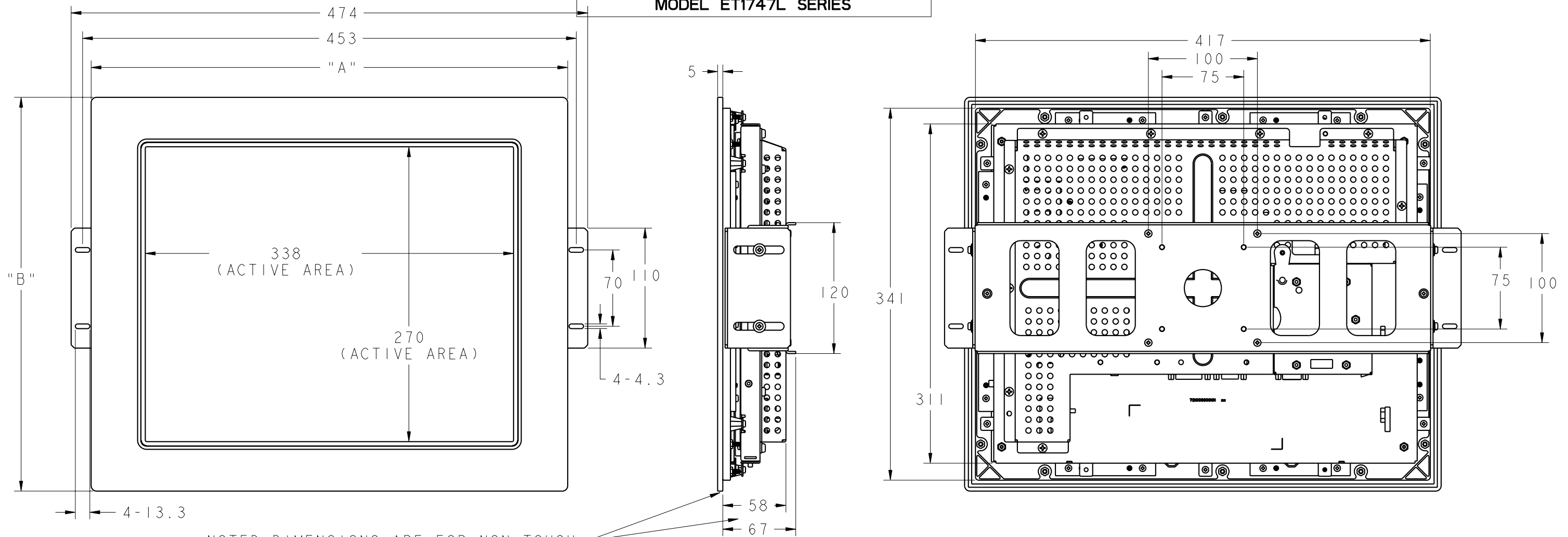


NOTES FOR ALL MOUNTING OPTIONS:

1. ALL DRAWING CENTERS ARE THE CENTER OF VIEWABLE AREA OF THE LCD PANEL,
2. IF CUSTOMER KIOSK MATERIAL IS WOOD:  
Ø4.5 MM HOLES THRU FOR M4 SCREWS,  
OR NO THRU HOLES, SCREWS FOR WOOD Ø4 MM.
3. IF CUSTOMER KIOSK MATERIAL IS SHEET METAL:  
CONCEALED HEAD THREADED STUDS M4 WITH NUTS.

DIMENSIONS ARE IN MILLIMETERS

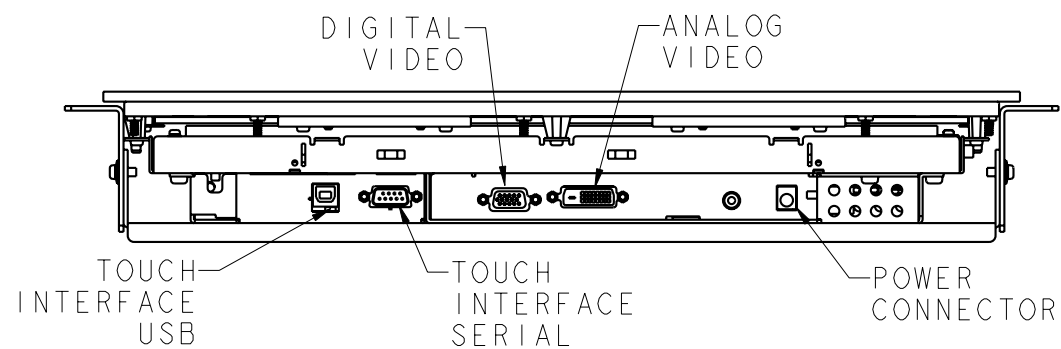
**FRONT PANEL MOUNT OPTION  
MODEL ET1747L SERIES**



NOTED DIMENSIONS ARE FOR NON-TOUCH ACCUTOUCH, AND INTELLITOUCH ONLY. FOR SECURETOUCH AND INFRARED, ADD 3.5mm TO EACH MEASUREMENT.

**FRONT PANEL**

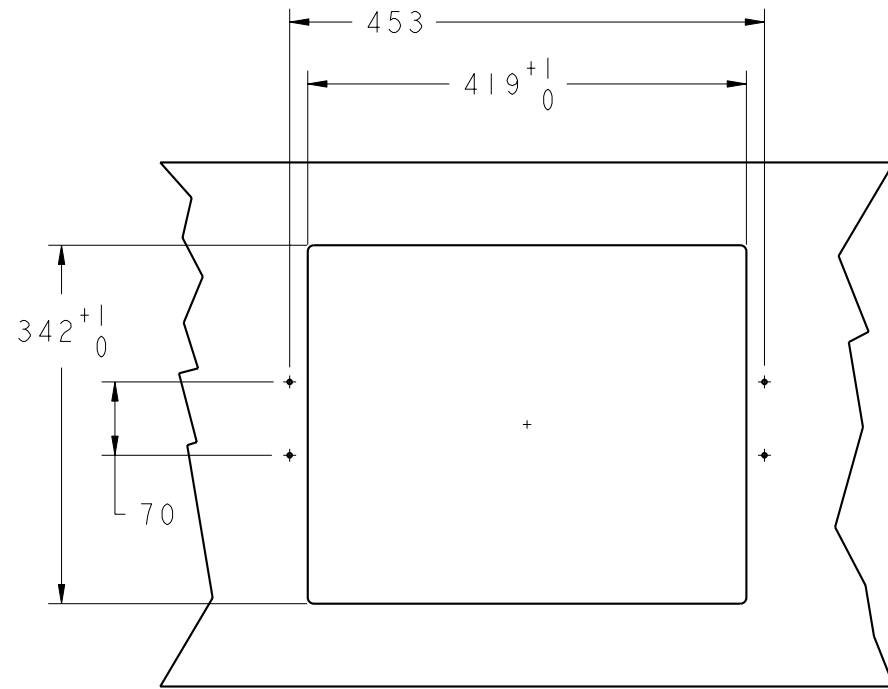
PIP NUMBER	PIP DESCRIPTION	MATERIAL	"A"	"B"	COUNTRY
D74916-000	ELO-PLATE17-MODULAR MODULAR LCD	5mm THICK ALUMINUM BLACK ANODIZED	437	361	USA
C15502-000	ELO-BEZEL-17MOD -SST2-BK	2mm THICK STAINLESS STEEL BLACK POWDERCOAT	438	362	EURO ONLY
F84586-000	ELO-BEZEL-17MOD -SST	2mm THICK STAINLESS STEEL BRUSHED FINISH	438	362	EURO ONLY



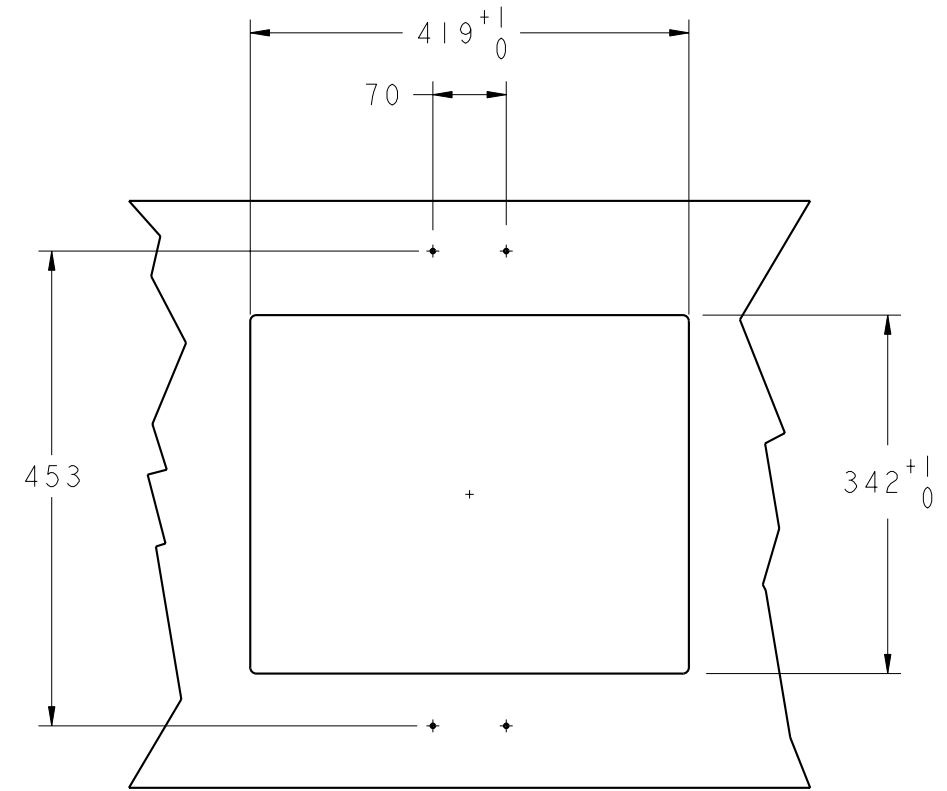
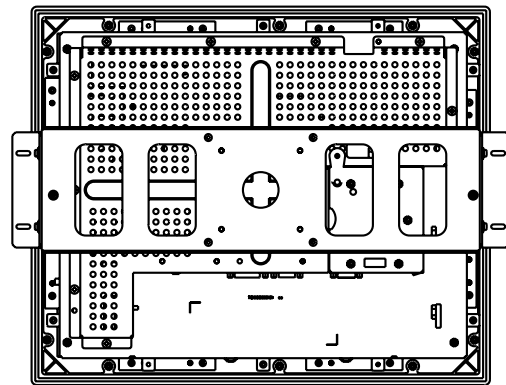
**USE WITH ELO MONITORS**

P/N	DESCRIPTION
207124-001	ET1747L-6CWF-1
238212-001	ET1747L-7CWF-1
736650-001	ET1747L-8CWF-1
E85776-001	ET1747L-9SWF-1
D45620-001	ET1747L-9UWF-1
D55621-001	ET1747L-0NWF-1
F90355-000	ET1747L-1SWF-1

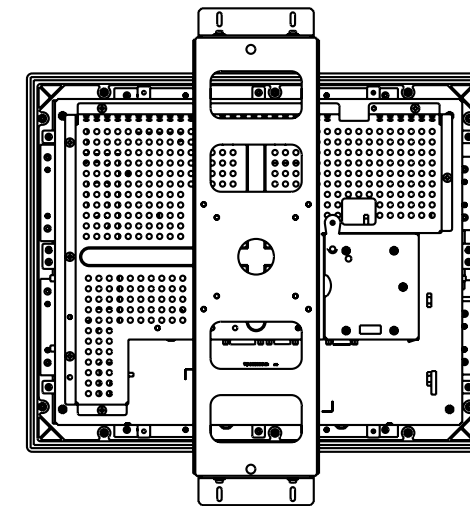
FRONT MOUNT  
PLATE CUT OUT



HORIZONTAL  
INSTALLATION



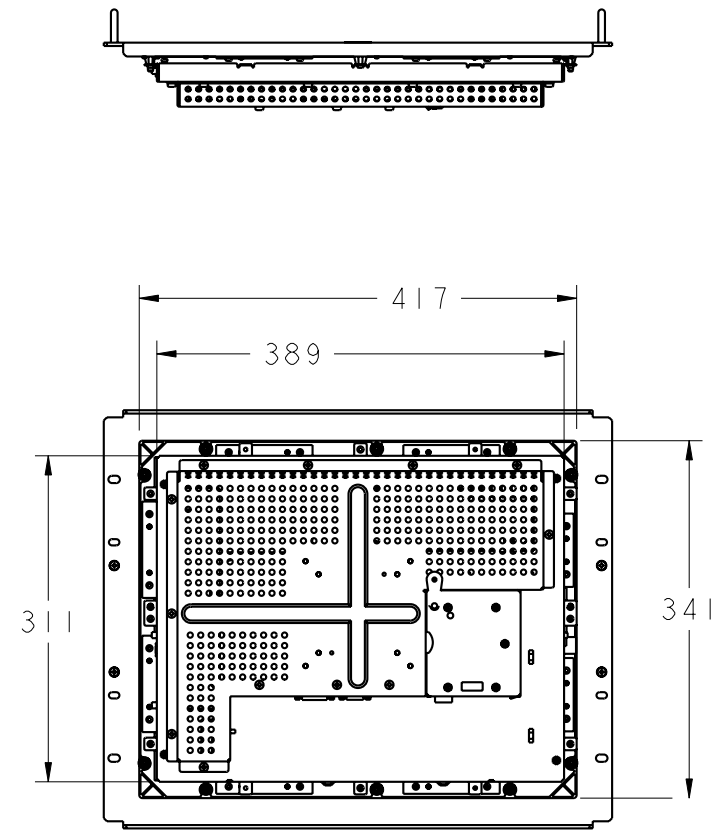
VERTICAL  
INSTALLATION



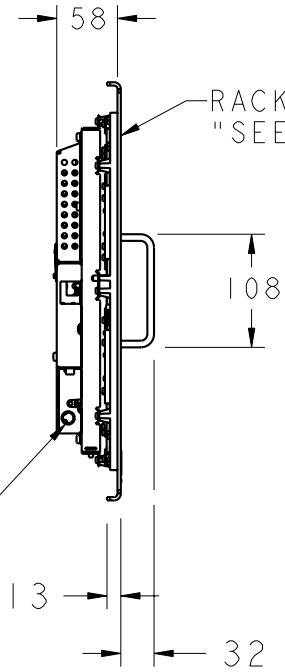
NOTES:

1. ALL DRAWING CENTERS ARE THE CENTER OF VIEWABLE AREA OF THE LCD PANEL.
2. IF CUSTOMER KIOSK MATERIAL IS WOOD:  
Ø4.5 mm HOLES THRU FOR M4 SCREWS,  
OR NO THRU HOLES, SCREWS FOR WOOD Ø4 mm
3. IF CUSTOMER KIOSK MATERIAL IS SHEETMETAL:  
CONCEALED HEAD THREADED STUDS M4 WITH NUTS.

**RACKMOUNT  
MODEL ET1747L SERIES  
FOR 19" COMPUTER RACKS**

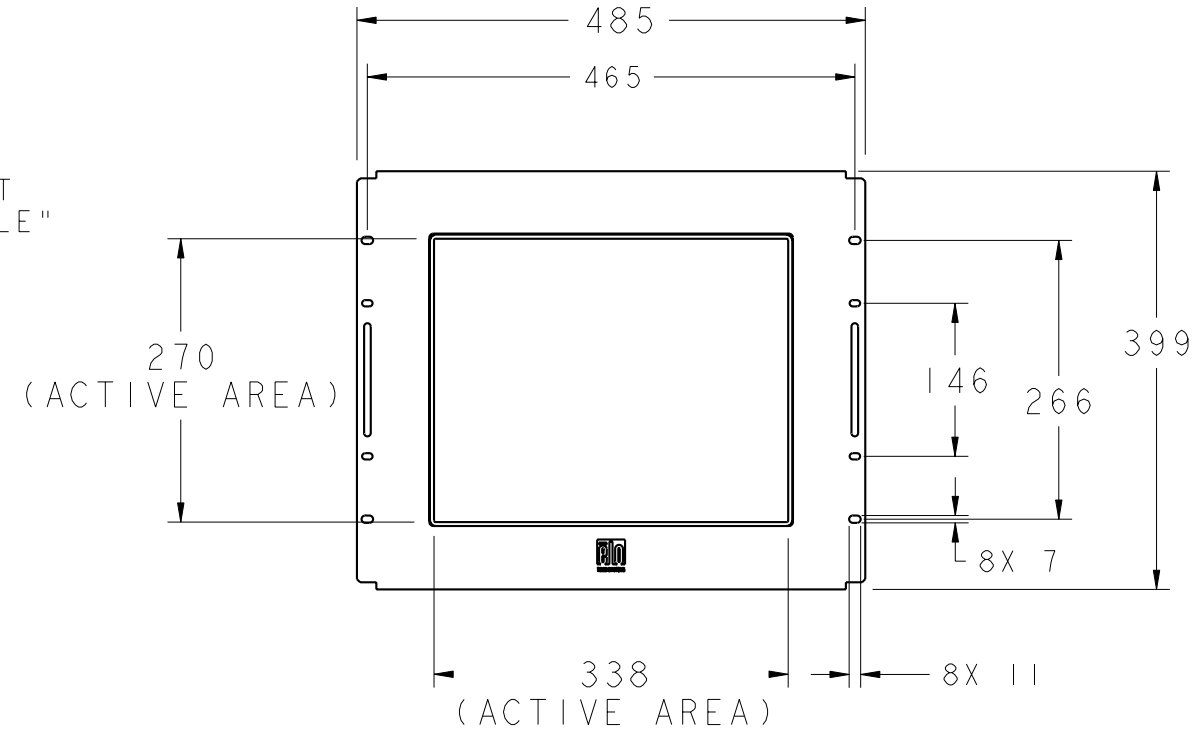


NOTED DIMENSION IS FOR THE NON-TOUCH ACCUTOUCH, AND INTELLITOUCH ONLY. FOR SECURETOUCH AND INFRARED, ADD 3.5 MM TO EACH MEASUREMENT.

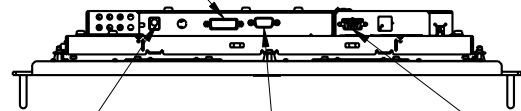


RACKMOUNT  
"SEE TABLE"

REMOTE  
OSD  
CONNECTOR



DIGITAL  
VIDEO  
CONNECTOR



POWER  
CONNECTOR

ANALOG  
VIDEO  
CABLE  
CONNECTOR

TOUCH  
INTERFACE  
USB OR SERIAL

**RACKMOUNT**

PIP NUMBER	PIP DESCRIPTION
D34976-000	ELO-17 INCH-RACKMOUNT-BKT

**USE WITH  
ELO MONITORS**

P/N	DESCRIPTION
207124-001	ET1747L-6CWF-1
238212-001	ET1747L-7CWF-1
736650-001	ET1747L-8CWF-1
E85776-001	ET1747L-9SWF-1
D45620-001	ET1747L-9UWF-1
D55621-001	ET1747L-0NWF-1
F90355-000	ET1747L-1SWF-1

DIMENSIONS ARE IN MILLIMETERS