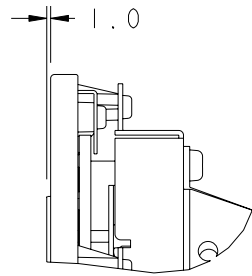
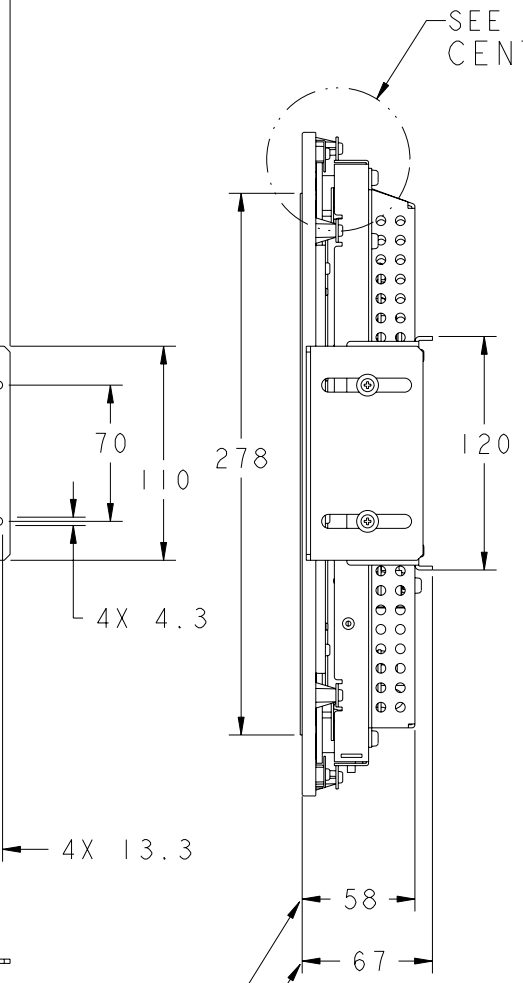
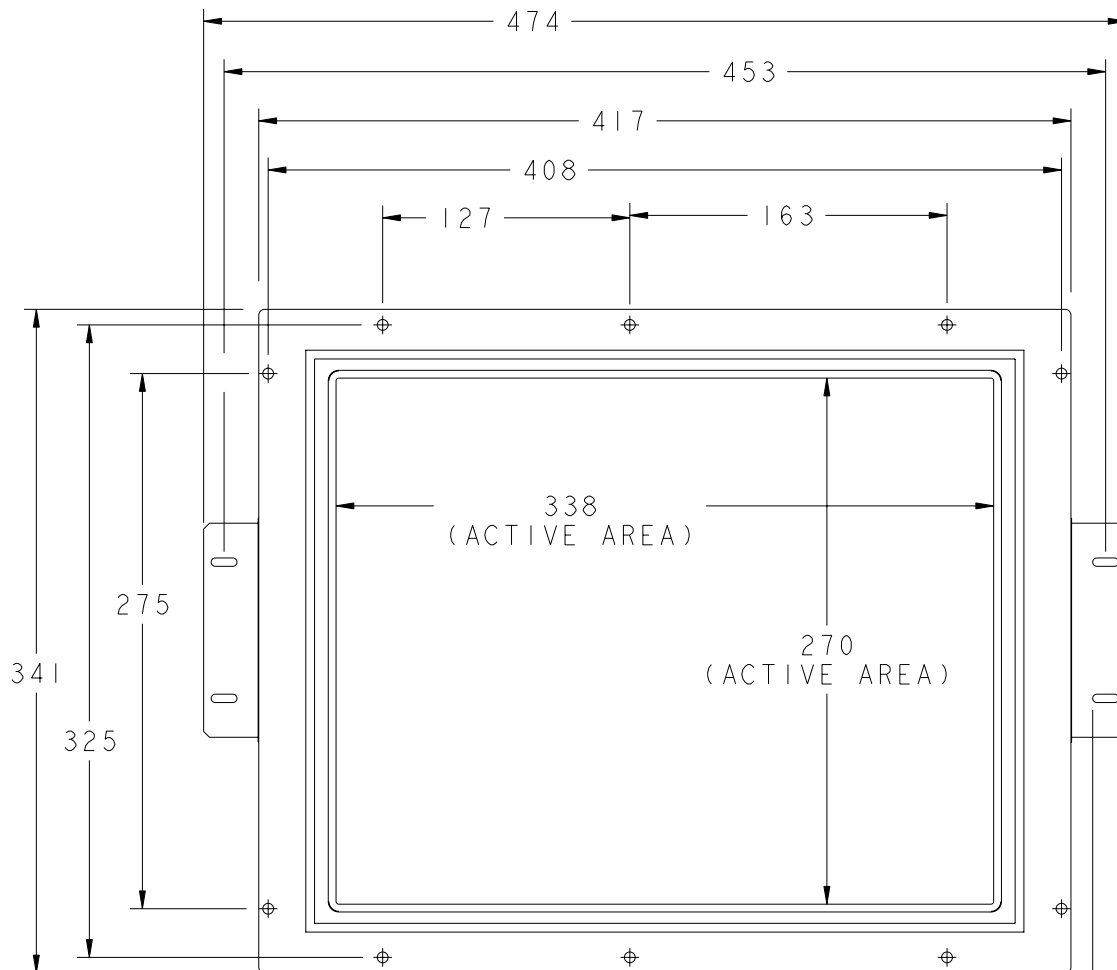
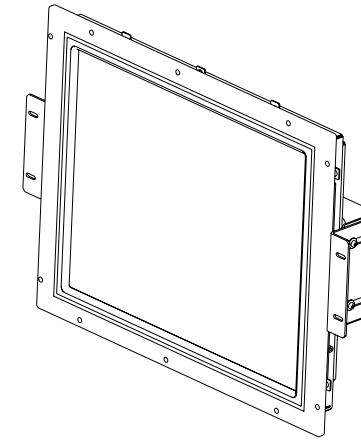


P/N	DESCRIPTION
185914-001	ET1747L-6SWF-1
207124-001	ET1747L-6UWF-1
990882-001	ET1747L-7SWF-1
238212-001	ET1747L-7UWF-1
945446-001	ET1747L-8SWF-1
736650-001	ET1747L-8UWF-1
E85776-001	ET1747L-9SWF-1
D45620-001	ET1747L-9UWF-1
D55621-001	ET1747L-0NWF-1
F90355-000	ET1747L-1SWF-1

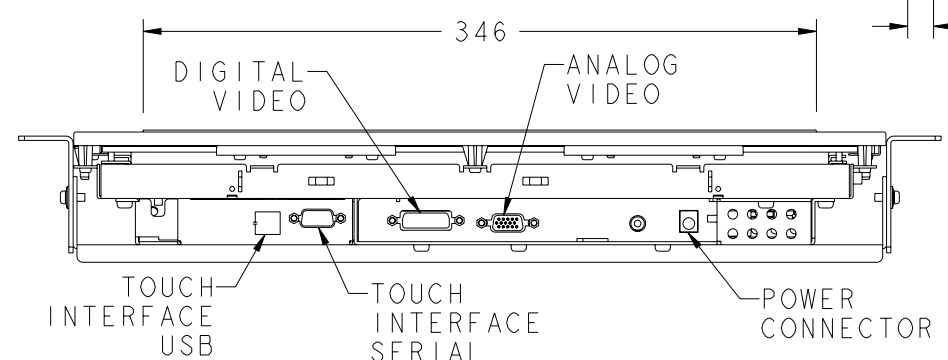
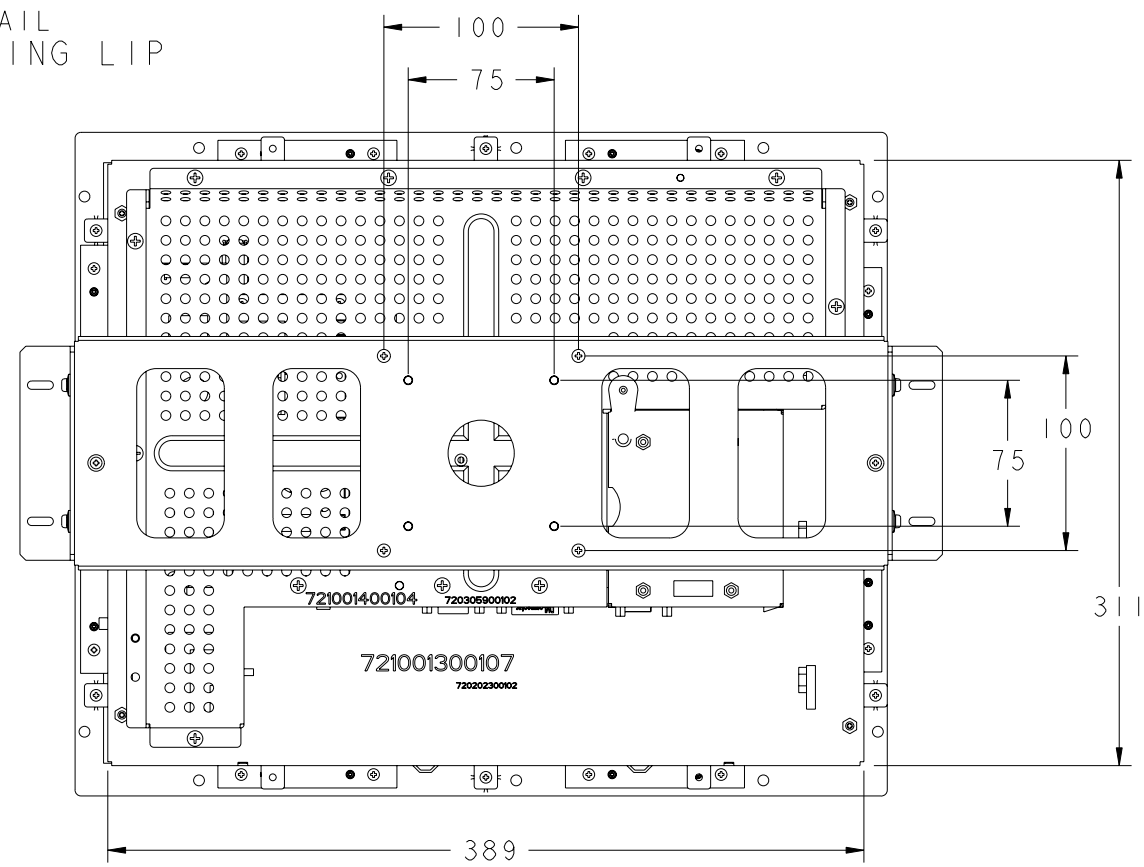
**REAR MOUNT
MODEL ET1747L SERIES**



**DETAIL
CENTERING LIP
SCALE 1:1**



SEE DETAIL
CENTERING LIP



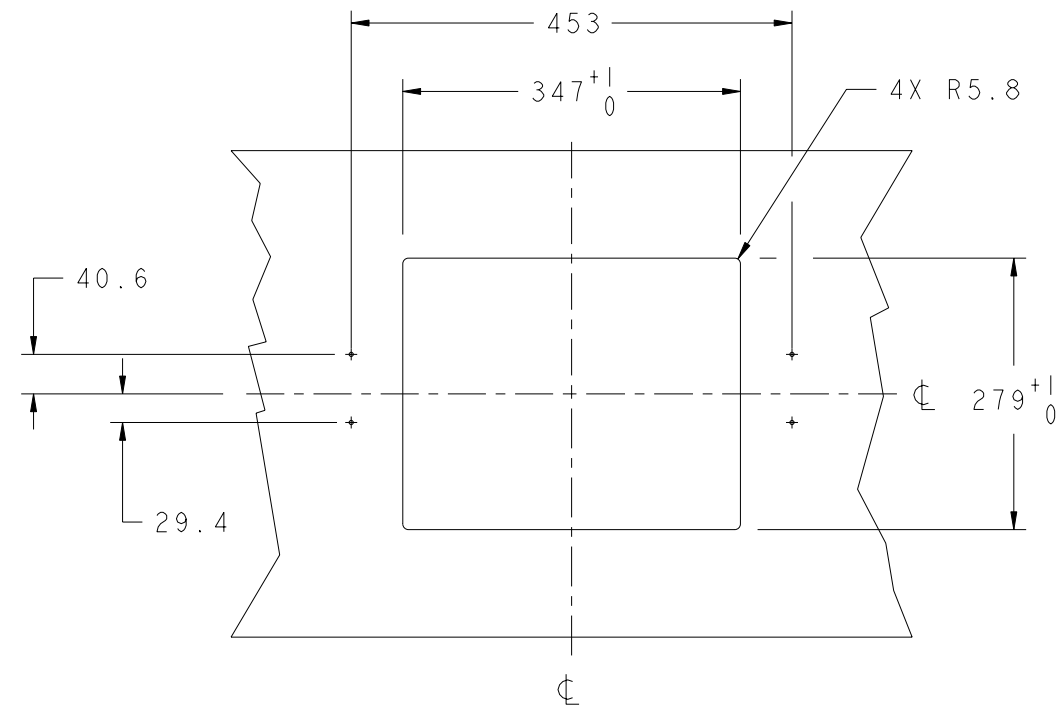
NOTED DIMENSIONS ARE FOR NON-TOUCH, ACCUTOUCH, AND INTELLITOUCH ONLY. FOR SECURETOUCH AND INFRARED ADD 3.5 MM TO EACH MEASUREMENT.

DIMENSIONS ARE IN MILLIMETERS

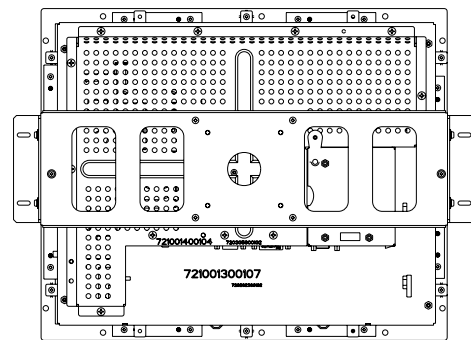
3D CAD FILES AVAILABLE

SHT. 1 OF 5

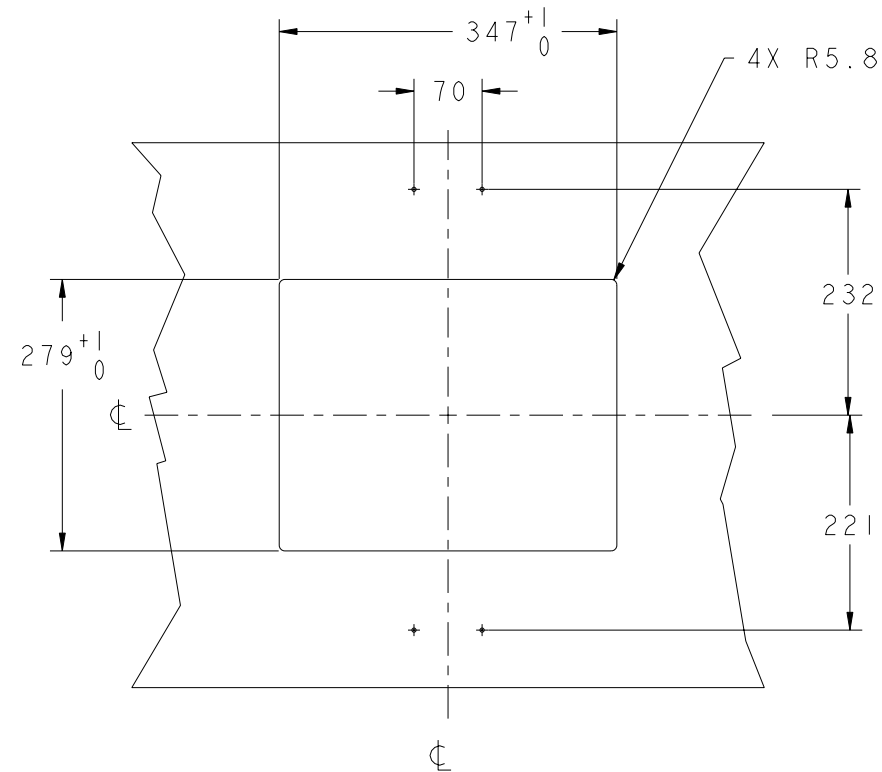




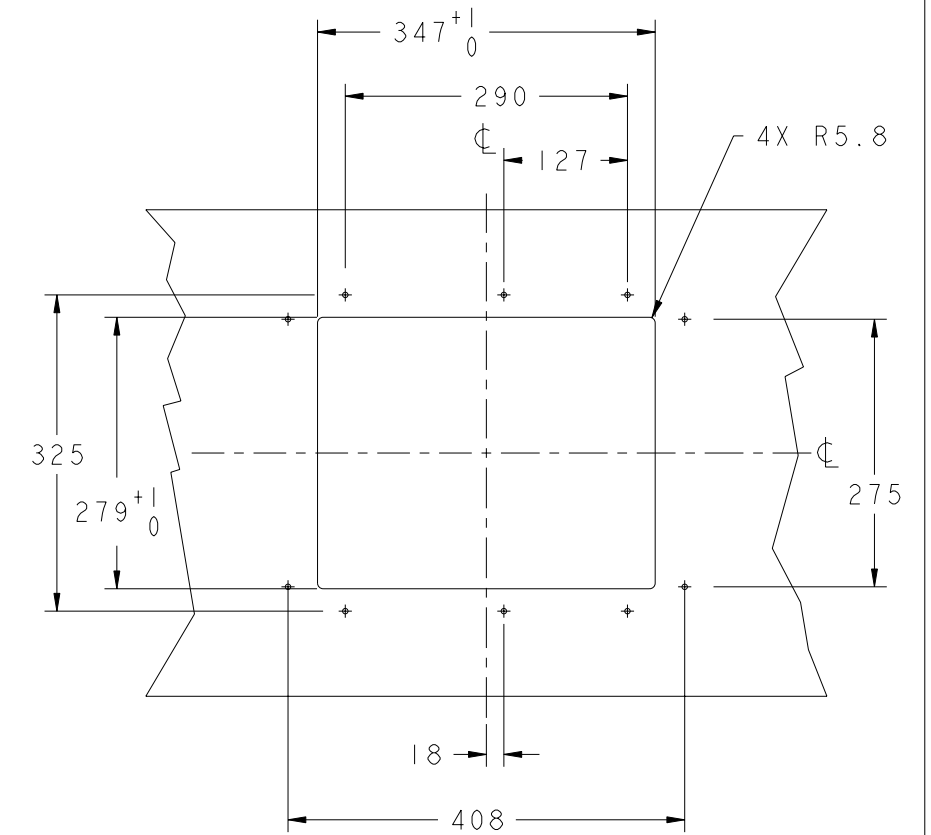
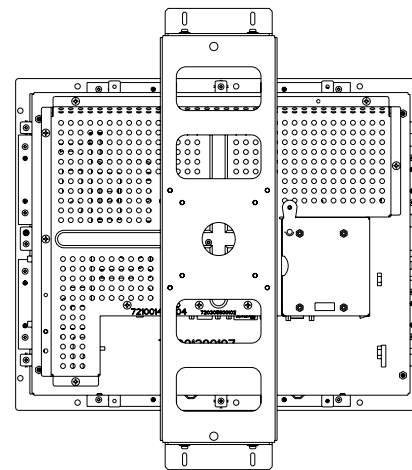
**HORIZONTAL
INSTALLATION**



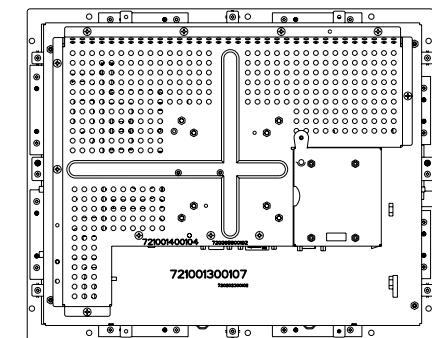
**REAR MOUNT
PLATE CUT OUT**



**VERTICAL
INSTALLATION**



**THRU HOLES
(NO BRACKET)
INSTALLATION**

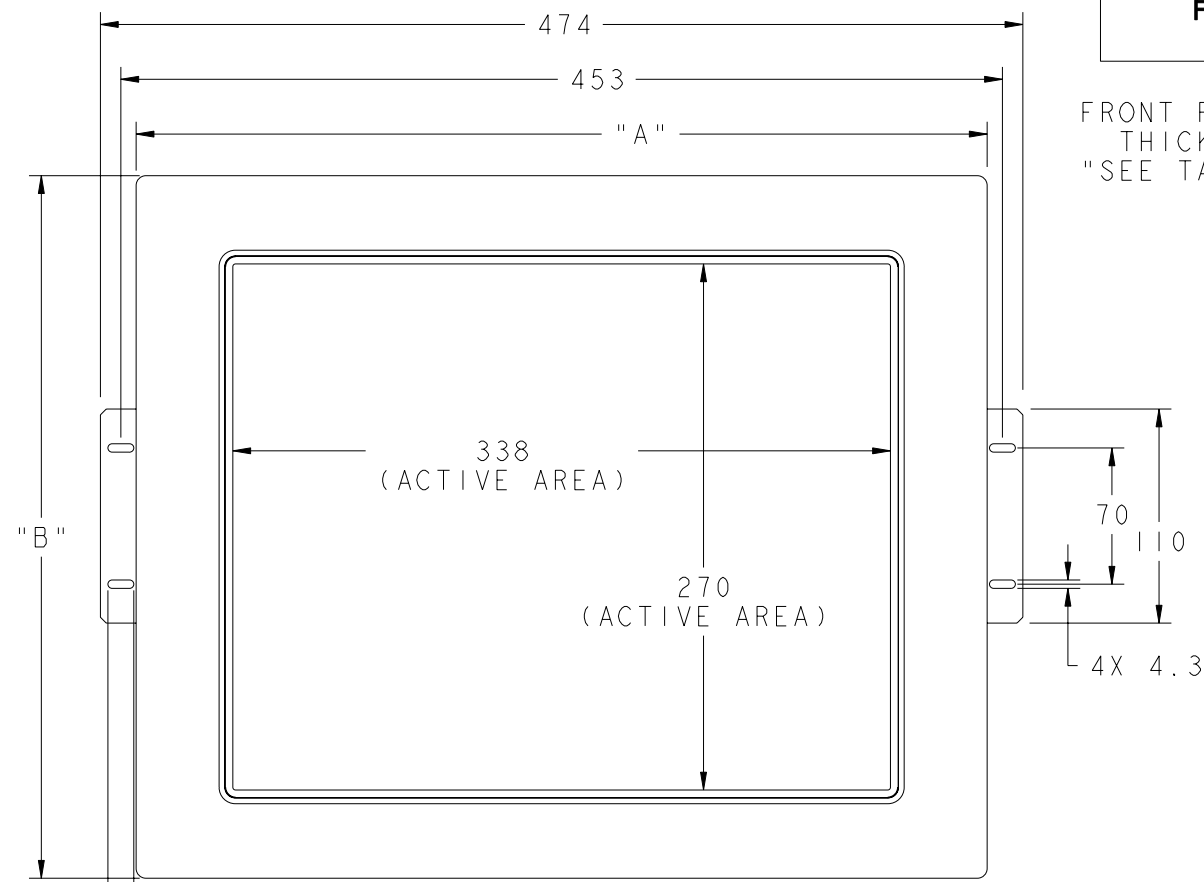


NOTES FOR ALL MOUNTING OPTIONS:

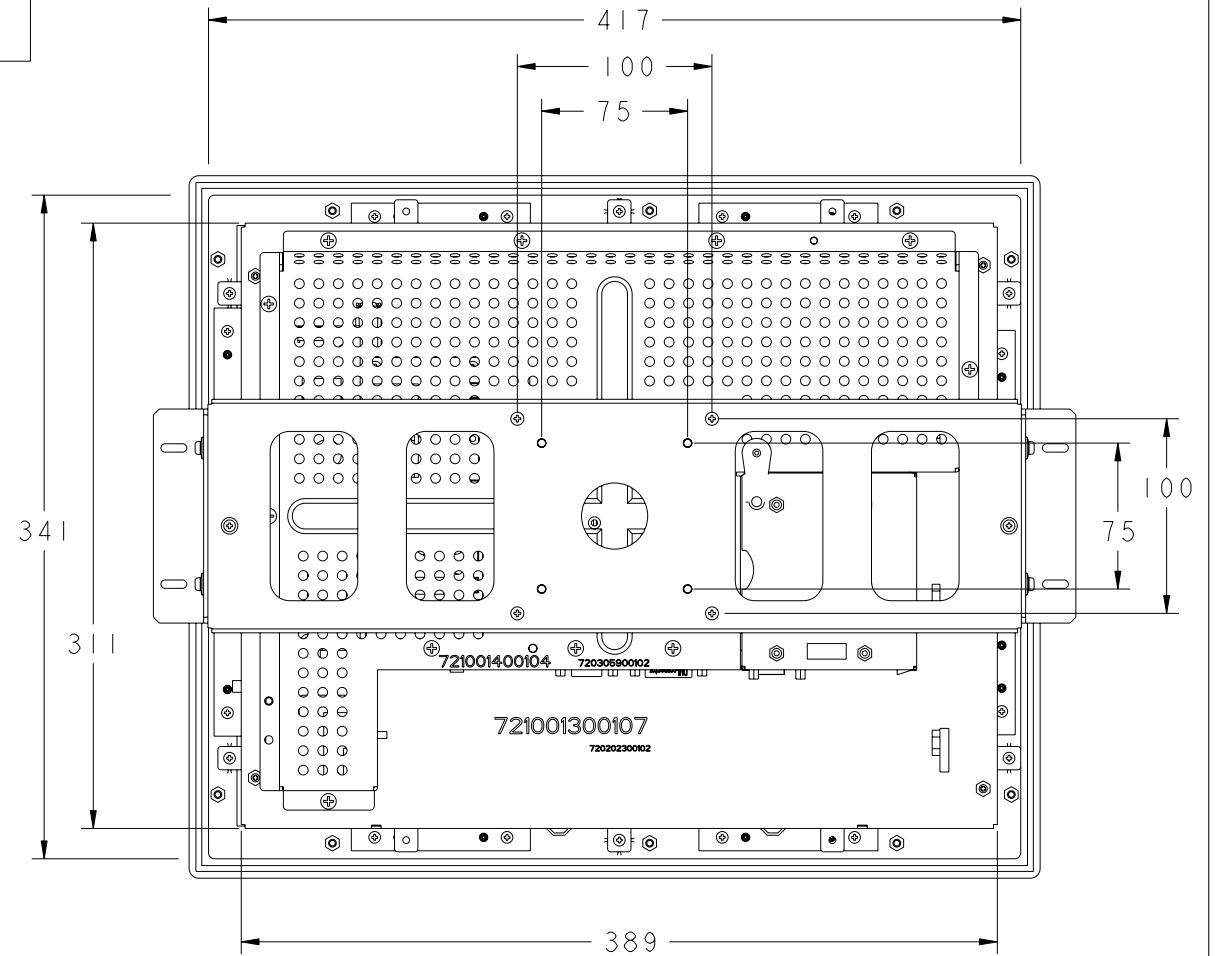
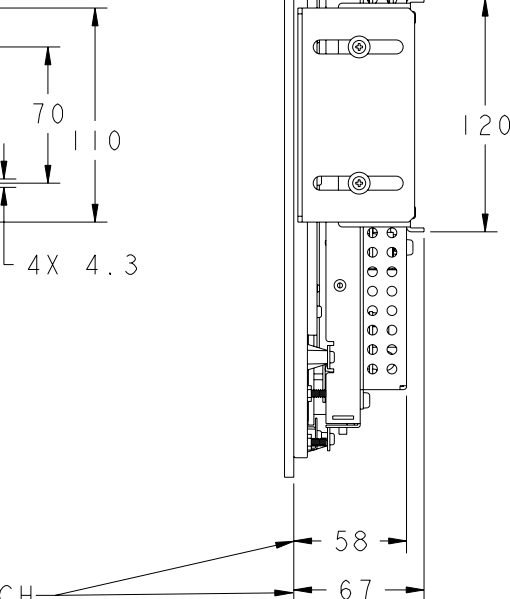
1. ALL DRAWING CENTERS ARE THE CENTER OF VIEWABLE AREA OF THE LCD PANEL,
2. IF CUSTOMER KIOSK MATERIAL IS WOOD:
 \varnothing 4.5 MM HOLES THRU FOR M4 SCREWS,
 OR NO THRU HOLES, SCREWS FOR WOOD \varnothing 4 MM.
3. IF CUSTOMER KIOSK MATERIAL IS SHEET METAL:
 CONCEALED HEAD THREADED STUDS M4 WITH NUTS.

DIMENSIONS ARE IN MILLIMETERS

**FRONT PANEL MOUNT OPTION
MODEL ET1747L SERIES**



FRONT PANEL THICKNESS
"SEE TABLE"



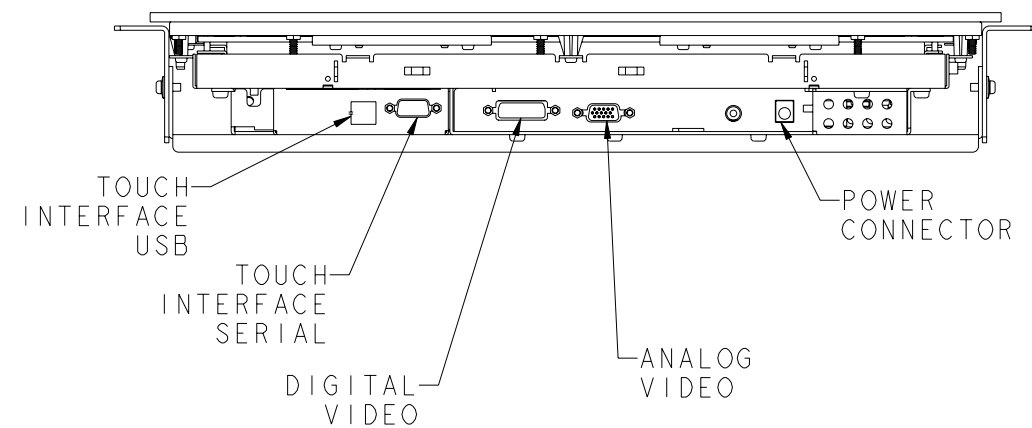
FRONT PANEL

NOTED DIMENSIONS ARE FOR NON-TOUCH ACCUTOUCH, AND INTELLITOUCH ONLY. FOR SECURETOUCH AND INFRARED, ADD 3.5mm TO EACH MEASUREMENT.

PIP NUMBER	PIP DESCRIPTION	MATERIAL	"A"	"B"	COUNTRY
D74916-000	ELO-PLATE17-MODULAR MODULAR LCD	5mm THICK ALUMINUM BLACK ANODIZED	437	361	USA
C15502-000	ELO-BEZEL-17MOD -SST2-BK	2mm THICK STAINLESS STEEL BLACK POWDERCOAT	438	362	EURO ONLY
F84586-000	ELO-BEZEL-17MOD -SST	2mm THICK STAINLESS STEEL BRUSHED FINISH	438	362	EURO ONLY

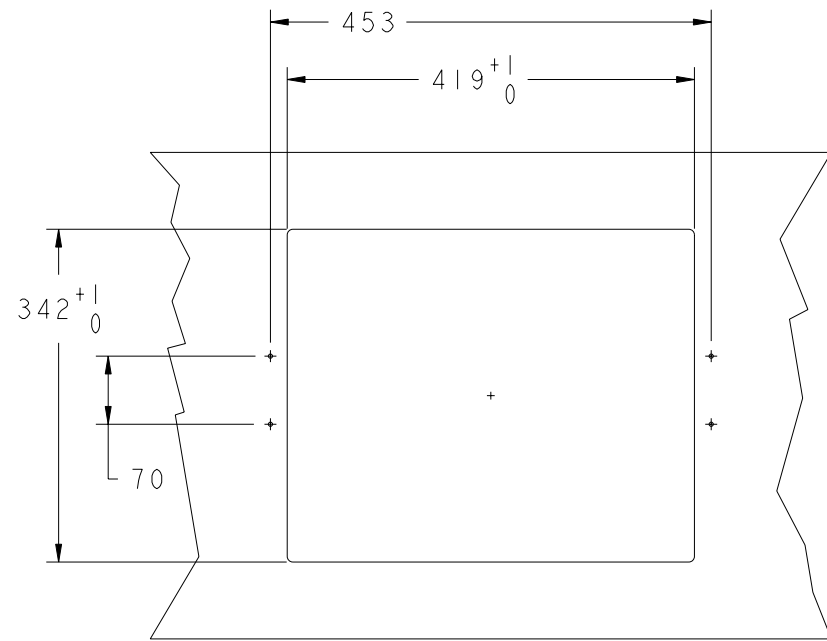
USE WITH ELO MONITORS

P/N	DESCRIPTION
185914-001	ET1747L-6SWF-1
207124-001	ET1747L-6UWF-1
990882-001	ET1747L-7SWF-1
238212-001	ET1747L-7UWF-1
945446-001	ET1747L-8SWF-1
736650-001	ET1747L-8UWF-1
E85776-001	ET1747L-9SWF-1
D45620-001	ET1747L-9UWF-1
D55621-001	ET1747L-0NWF-1
F90355-000	ET1747L-1SWF-1

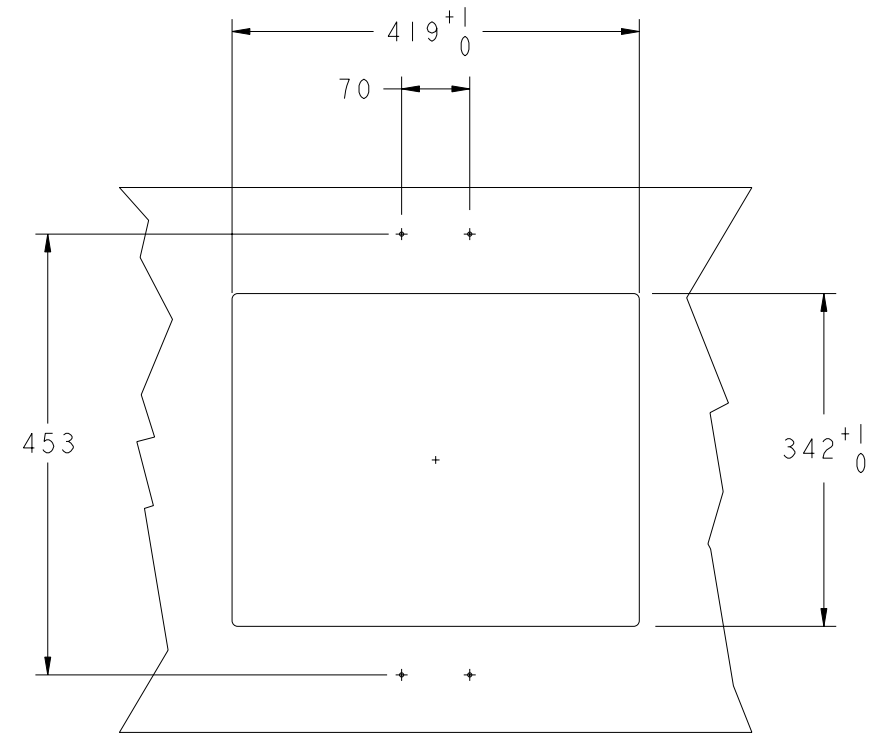
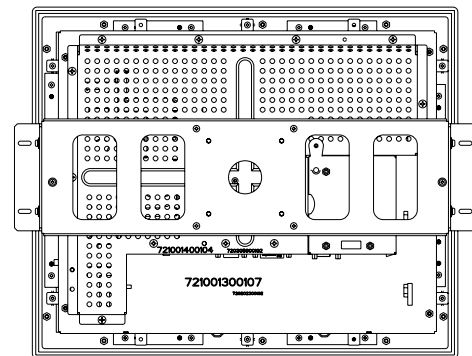


DIMENSIONS ARE IN MILLIMETERS/INCHES

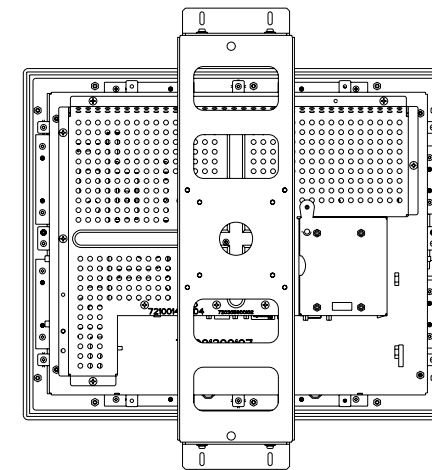
FRONT MOUNT
PLATE CUT OUT



HORIZONTAL
INSTALLATION



VERTICAL
INSTALLATION



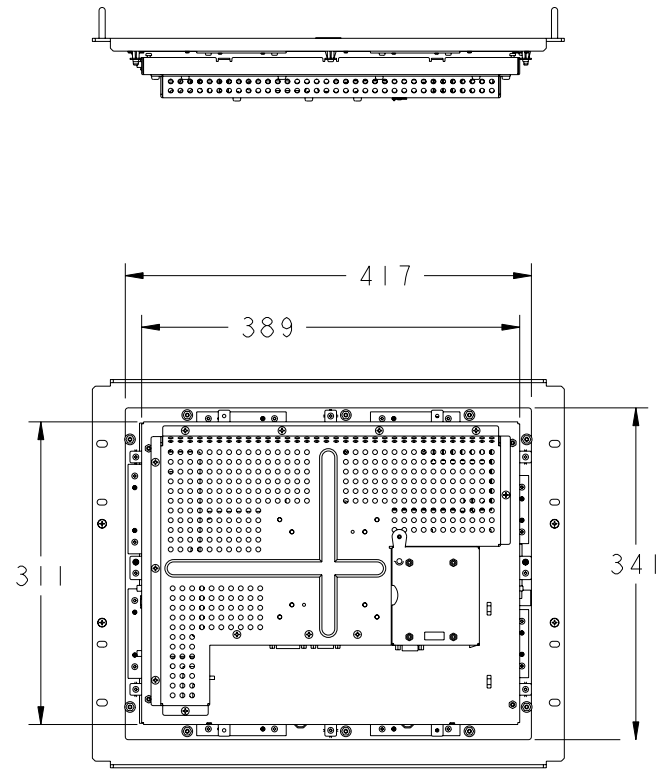
NOTES:

1. ALL DRAWING CENTERS ARE THE CENTER OF VIEWABLE AREA OF THE LCD PANEL.
2. IF CUSTOMER KIOSK MATERIAL IS WOOD:
Ø4.5 mm HOLES THRU FOR M4 SCREWS,
OR NO THRU HOLES, SCREWS FOR WOOD Ø4 mm
3. IF CUSTOMER KIOSK MATERIAL IS SHEETMETAL:
CONCEALED HEAD THREADED STUDS M4 WITH NUTS.

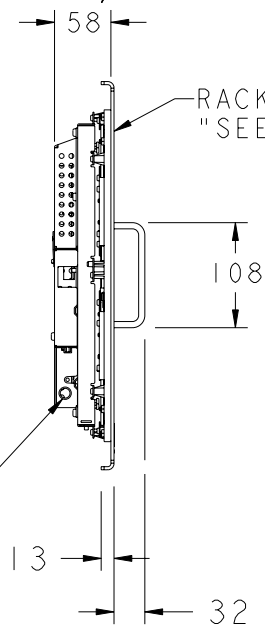
DIMENSIONS ARE IN MILLIMETERS/INCHES

SHT. 4 OF 5

**RACKMOUNT
MODEL ET1747L SERIES
FOR 19" COMPUTER RACKS**

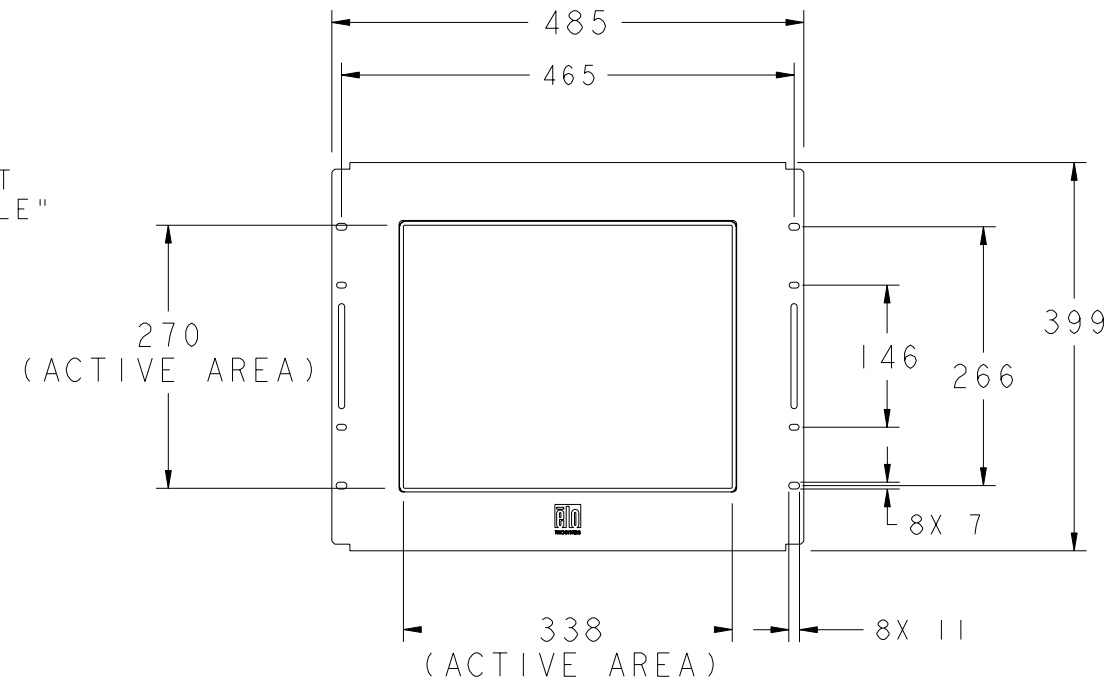


NOTED DIMENSION IS FOR THE NON-TOUCH ACCUTOUCH, AND INTELLITOUCH ONLY. FOR SECURETOUCH AND INFRARED, ADD 3.5 MM TO EACH MEASUREMENT.



RACKMOUNT "SEE TABLE"

REMOTE OSD CONNECTOR



DIGITAL VIDEO CONNECTOR

POWER CONNECTOR

ANALOG VIDEO CABLE CONNECTOR

TOUCH INTERFACE USB OR SERIAL

RACKMOUNT

PIP NUMBER	PIP DESCRIPTION
D34976-000	ELO-17INCH-RACKMOUNT-BKT

**USE WITH
ELO MONITORS**

P/N	DESCRIPTION
185914-001	ET1747L-6SWF-1
207124-001	ET1747L-6UWF-1
990882-001	ET1747L-7SWF-1
238212-001	ET1747L-7UWF-1
945446-001	ET1747L-8SWF-1
736650-001	ET1747L-8UWF-1
E85776-001	ET1747L-9SWF-1
D45620-001	ET1747L-9UWF-1
D55621-001	ET1747L-0NWF-1
F90355-000	ET1747L-1SWF-1

DIMENSIONS ARE IN MILLIMETERS