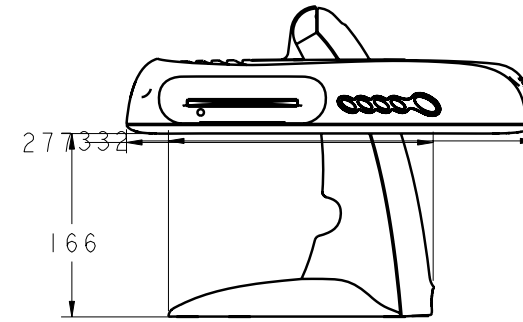
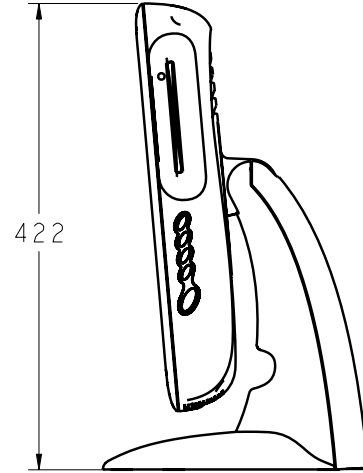
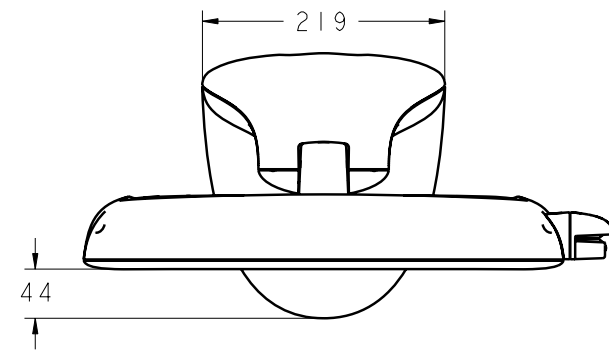


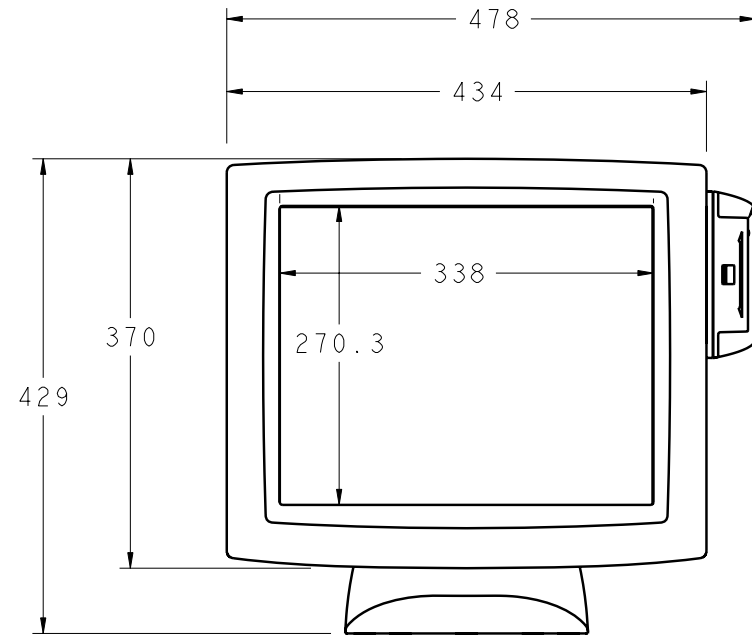
17" LCD DESKTOP MONITOR, 3000 SERIES

PART NUMBER	DESCRIPTION
069914-001	ET1725L-7CWF-I
942352-001	ET1725L-7CWF-I-NL
442072-001	ET1725L-8CWF-I
460028-001	ET1725L-8CWF-I-NL
889048-001	ET1725L-0NWF-I
E76025-001	ET1725L-7SWF-I-MSR
E87300-001	ET1725L-7UWF-I-MSR
E43463-001	ET1725L-7UWF-I-MSRKB
D14995-001	ET1725L-8SWF-I-MSR
F37082-001	ET1725L-8UWF-I-MSR
D66140-001	ET1725L-8UWF-I-MSRKB
227258-001	ET1727L-7CWF-I
869890-001	ET1727L-8CWF-I
289964-001	ET1727L-0NWF-I
F80972-000	ET1727L-3CWF-I

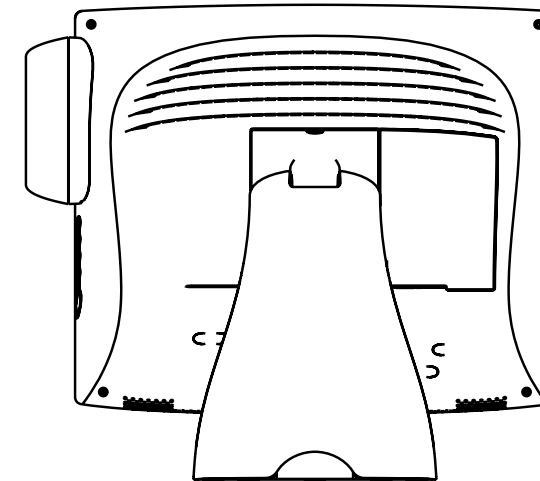
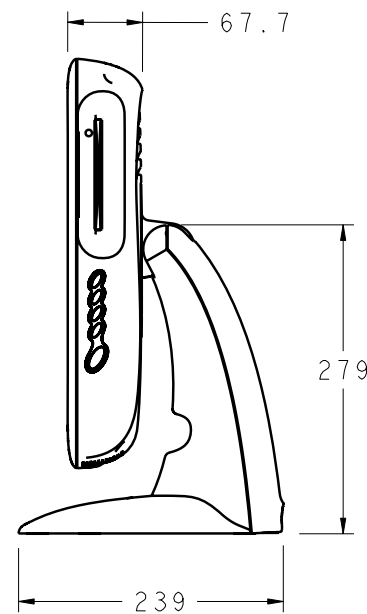


FORWARD TILT - 5° FROM VERTICAL

AFT TILT - 90° FROM VERTICAL



MSR OPTION



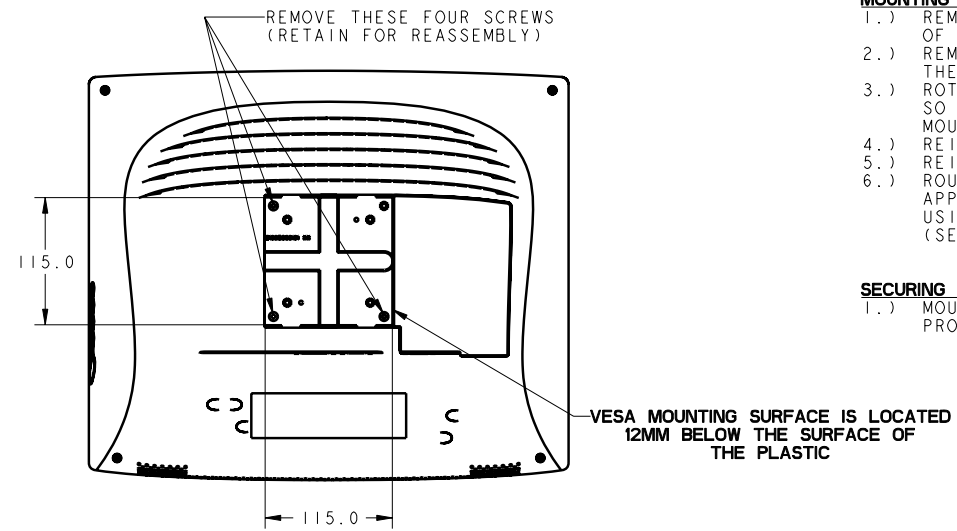
NOTE: INTERNAL MSR CABLE FOR USB VERSION ONLY!

DIMENSIONS ARE IN MILLIMETERS



17" DESKTOP MONITOR MOUNTING OPTIONS

FIGURE 1) STAND AND DISPLAY SEPARATION  
(BASE REMOVED FOR EASE OF VIEW)



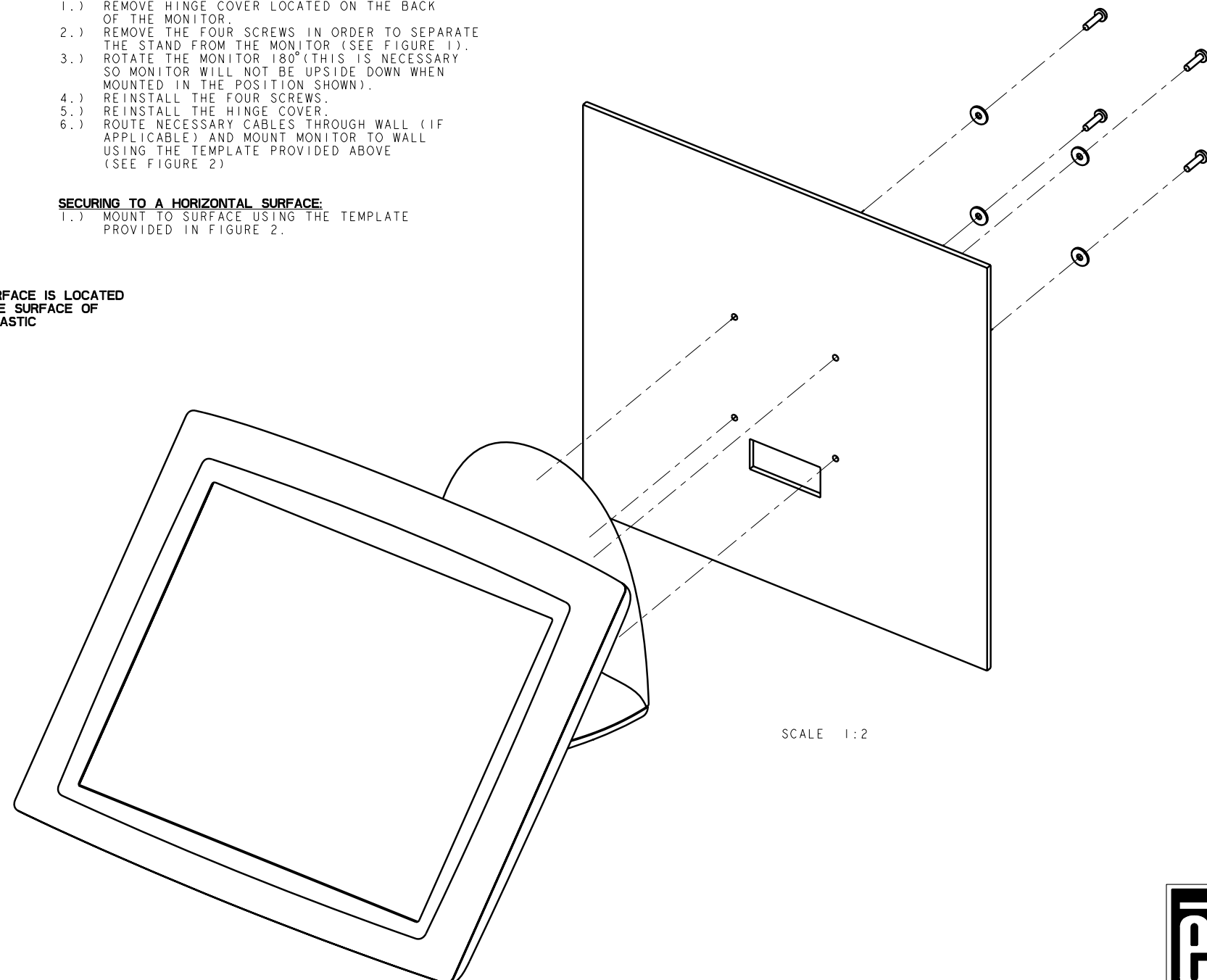
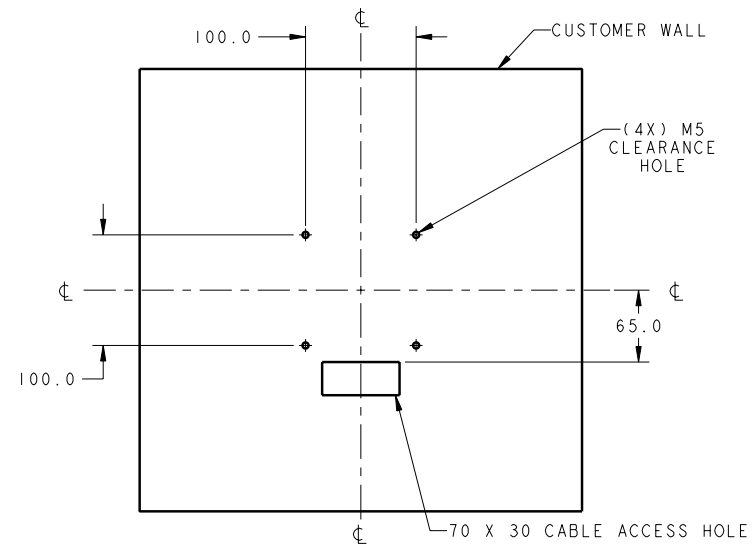
**MOUNTING TO A WALL:**

- 1.) REMOVE HINGE COVER LOCATED ON THE BACK OF THE MONITOR.
- 2.) REMOVE THE FOUR SCREWS IN ORDER TO SEPARATE THE STAND FROM THE MONITOR (SEE FIGURE 1).
- 3.) ROTATE THE MONITOR 180° (THIS IS NECESSARY SO MONITOR WILL NOT BE UPSIDE DOWN WHEN MOUNTED IN THE POSITION SHOWN).
- 4.) REINSTALL THE FOUR SCREWS.
- 5.) REINSTALL THE HINGE COVER.
- 6.) ROUTE NECESSARY CABLES THROUGH WALL (IF APPLICABLE) AND MOUNT MONITOR TO WALL USING THE TEMPLATE PROVIDED ABOVE (SEE FIGURE 2)

**SECURING TO A HORIZONTAL SURFACE:**

- 1.) MOUNT TO SURFACE USING THE TEMPLATE PROVIDED IN FIGURE 2.

FIGURE 2) WALL MOUNT/ SURFACE MOUNT TEMPLATE

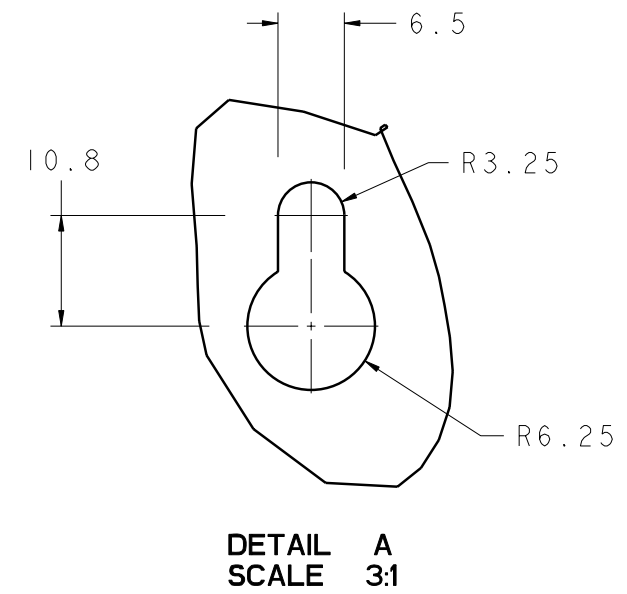
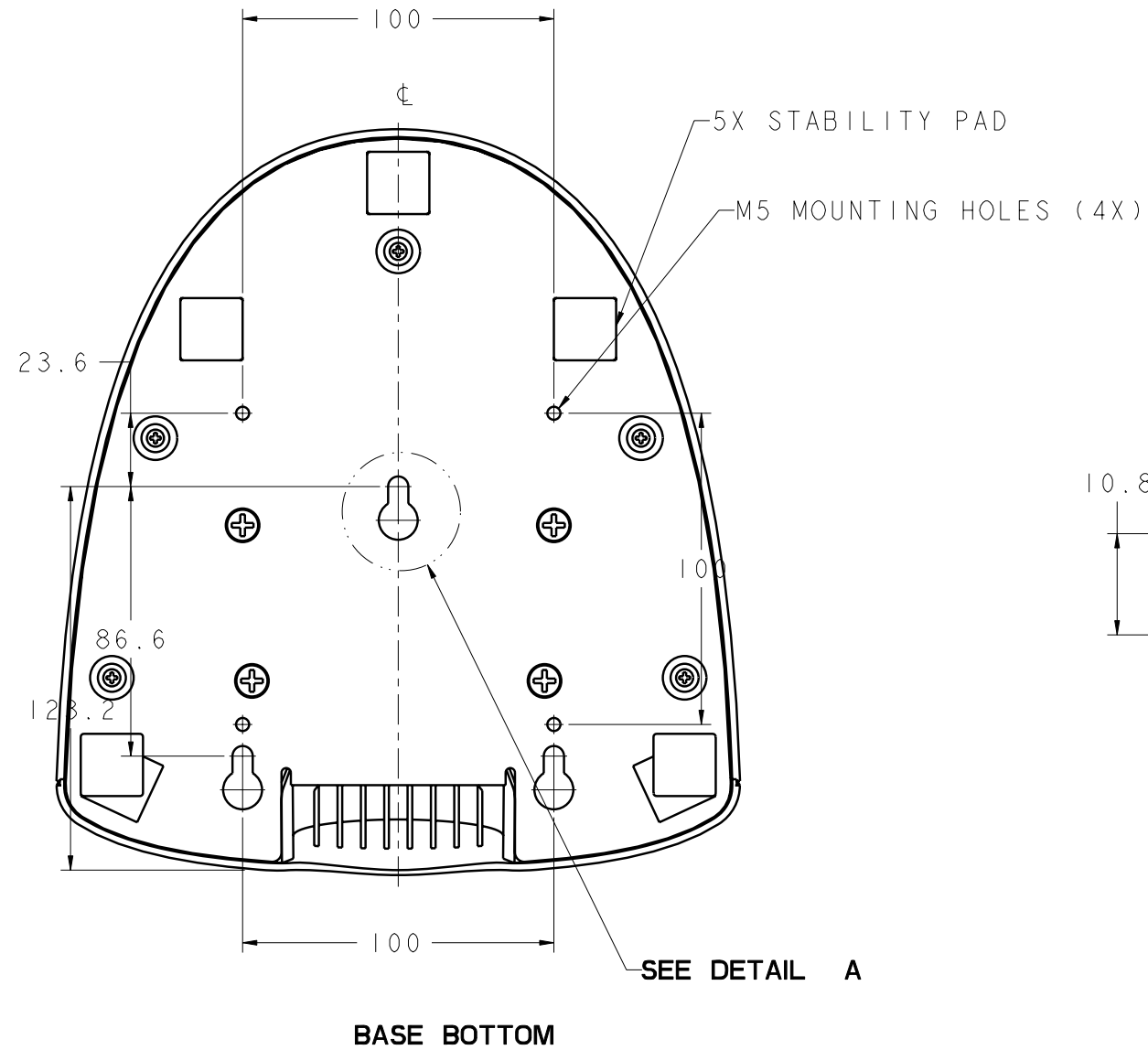


DIMENSIONS ARE IN MILLIMETERS

SHEET 2 OF 3



17" DESKTOP MONITOR MOUNTING OPTIONS



DIMENSIONS ARE IN MILLIMETERS/INCHES

SHEET 3 OF 3

