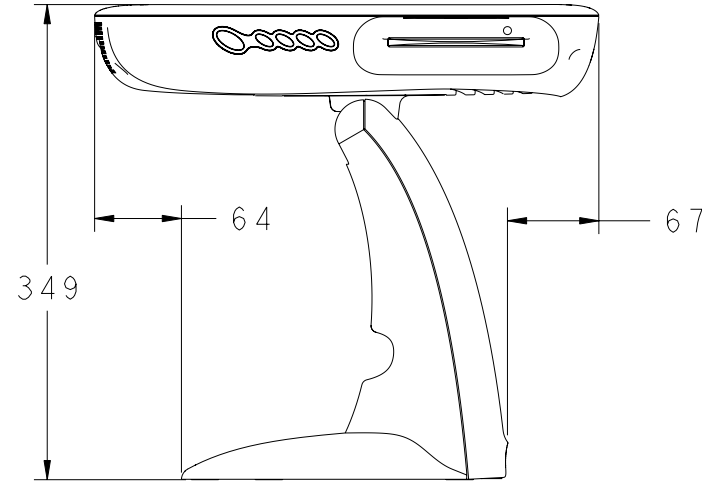
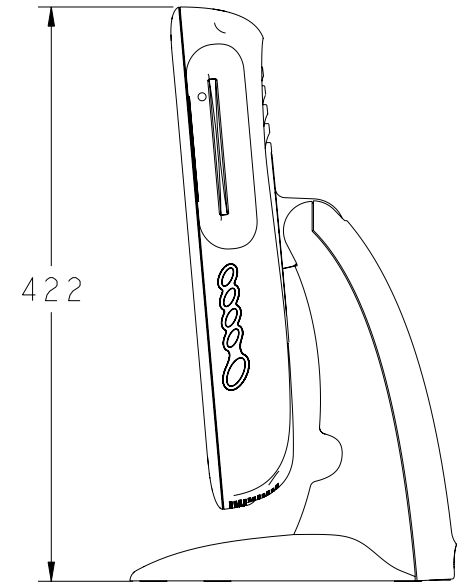
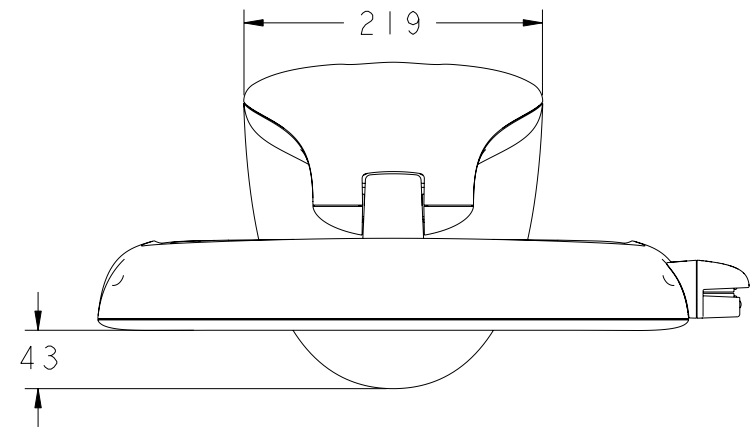


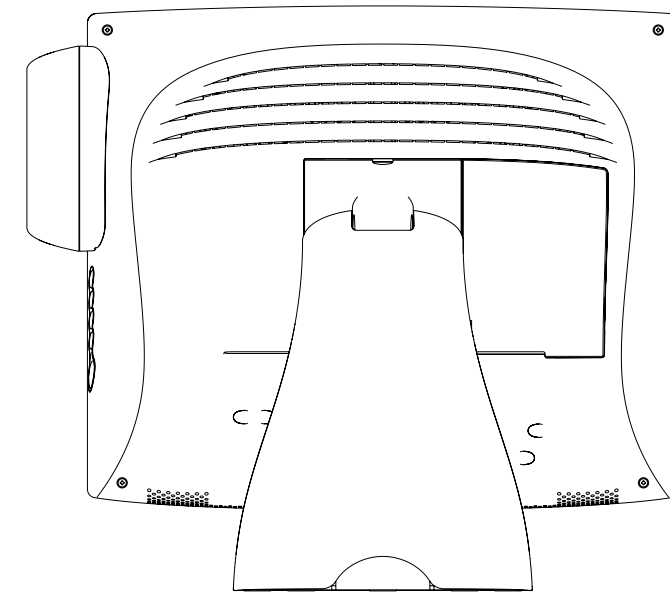
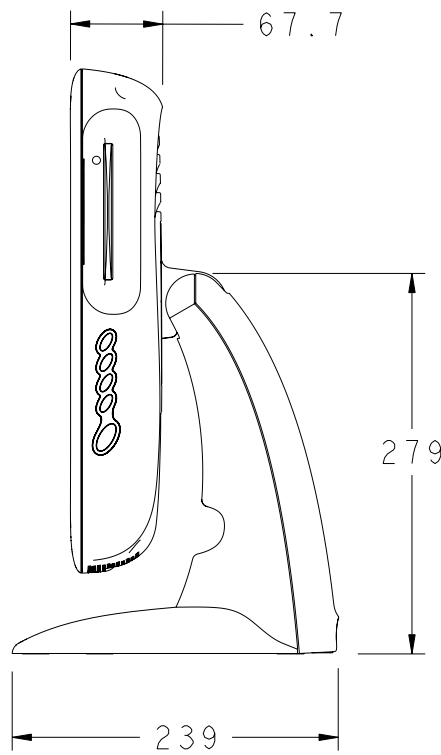
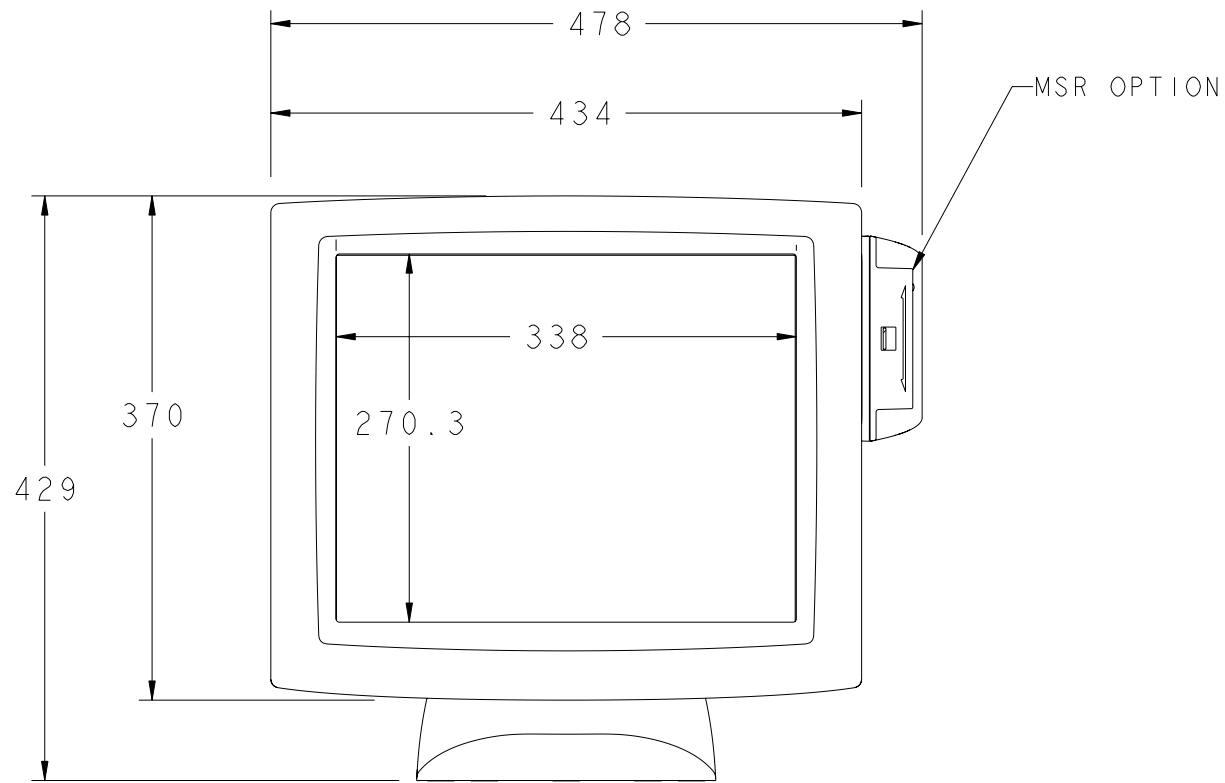
17" LCD DESKTOP MONITOR, 3000 SERIES

PART NUMBER	DESCRIPTION
954174-001	ET1725L-7SWF-I
146138-001	ET1725L-7SWF-I-NL
069914-001	ET1725L-7UWF-I
942352-001	ET1725L-7UWF-I-NL
D00405-001	ET1725L-8SWF-I
471972-001	ET1725L-8SWF-I-NL
442072-001	ET1725L-8UWF-I
460028-001	ET1725L-8UWF-I-NL
889048-001	ET1725L-0NWF-I
E76025-001	ET1725L-7SWF-I-MSR
E87300-001	ET1725L-7UWF-I-MSR
E43463-001	ET1725L-7UWF-I-MSRKB
D14995-001	ET1725L-8SWF-I-MSR
F37082-001	ET1725L-8UWF-I-MSR
D66140-001	ET1725L-8UWF-I-MSRKB
482392-001	ET1727L-7SWF-I
227258-001	ET1727L-7UWF-I
D33055-001	ET1727L-8SWF-I
869890-001	ET1727L-8UWF-I
289964-001	ET1727L-0NWF-I



FORWARD TILT - 5° FROM VERTICAL

AFT TILT - 90° FROM VERTICAL

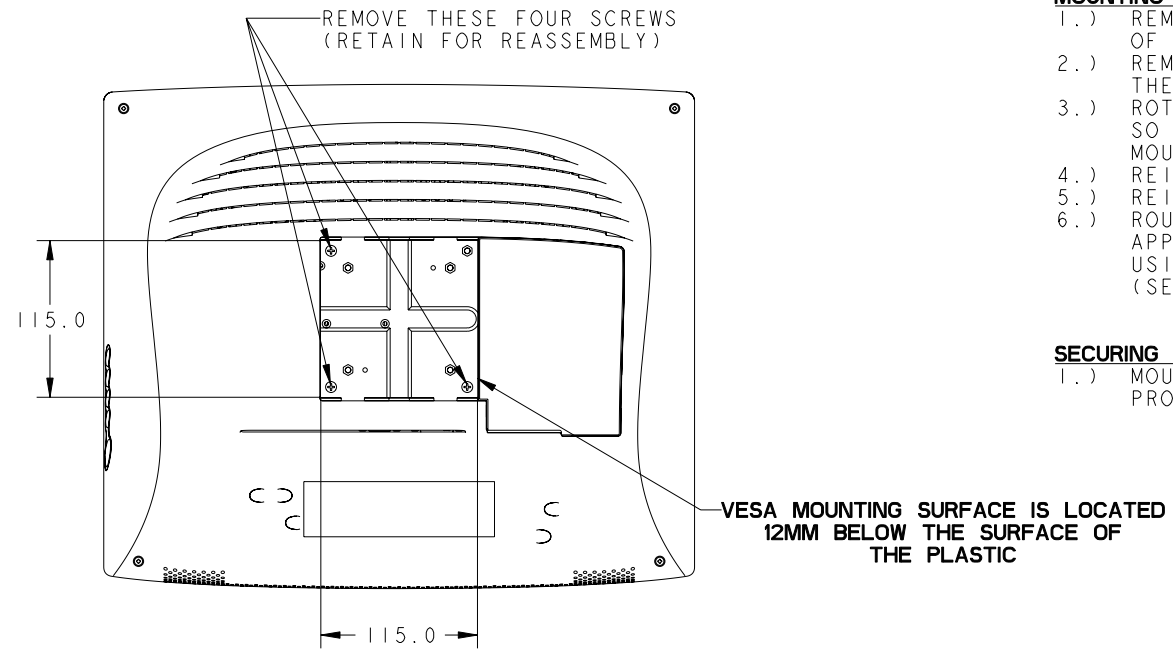


NOTE: INTERNAL MSR CABLE FOR USB VERSION ONLY!

DIMENSIONS ARE IN MILLIMETERS



FIGURE 1) STAND AND DISPLAY SEPARATION
(BASE REMOVED FOR EASE OF VIEW)



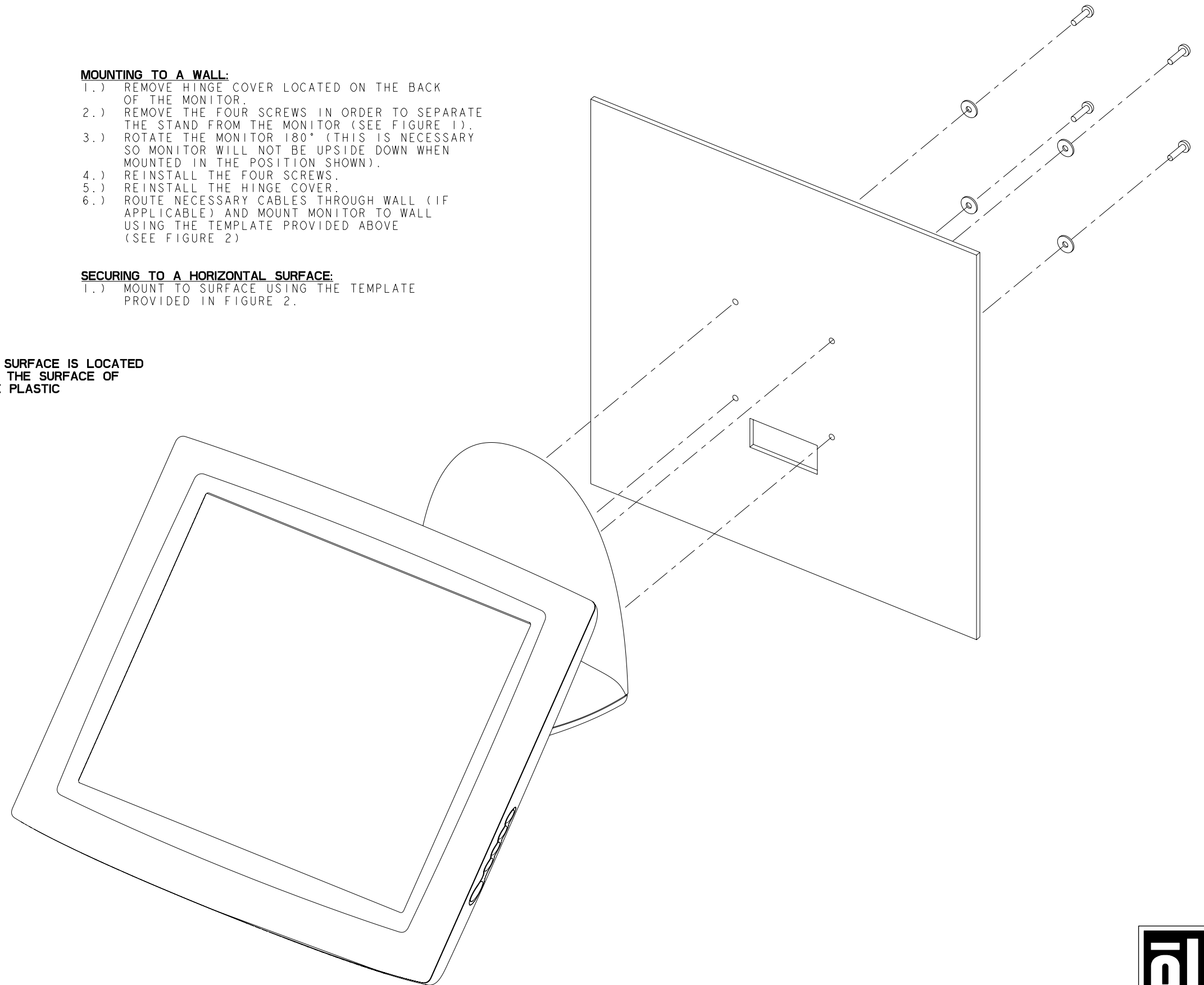
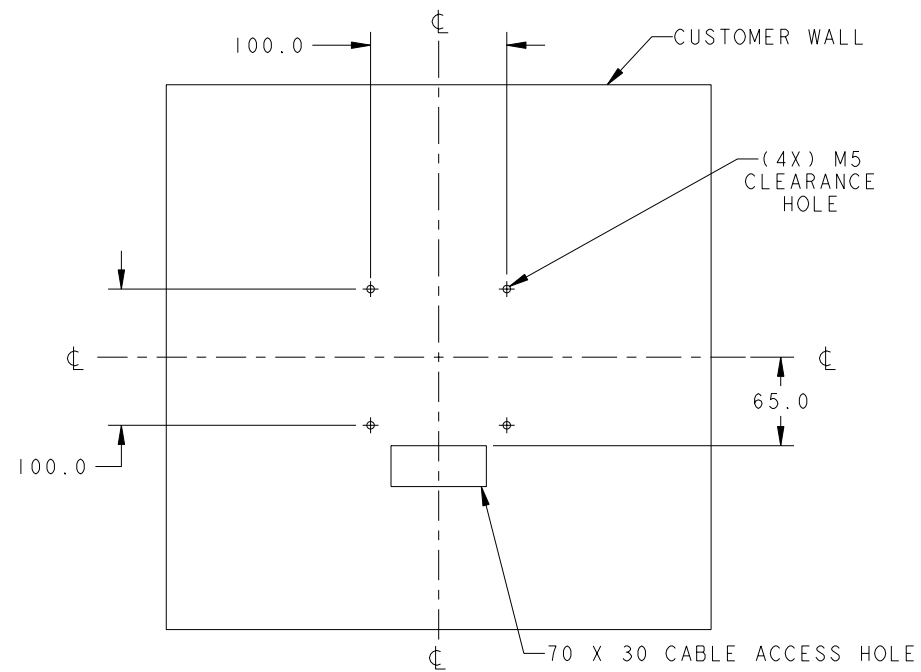
MOUNTING TO A WALL:

- 1.) REMOVE HINGE COVER LOCATED ON THE BACK OF THE MONITOR.
- 2.) REMOVE THE FOUR SCREWS IN ORDER TO SEPARATE THE STAND FROM THE MONITOR (SEE FIGURE 1).
- 3.) ROTATE THE MONITOR 180° (THIS IS NECESSARY SO MONITOR WILL NOT BE UPSIDE DOWN WHEN MOUNTED IN THE POSITION SHOWN).
- 4.) REINSTALL THE FOUR SCREWS.
- 5.) REINSTALL THE HINGE COVER.
- 6.) ROUTE NECESSARY CABLES THROUGH WALL (IF APPLICABLE) AND MOUNT MONITOR TO WALL USING THE TEMPLATE PROVIDED ABOVE (SEE FIGURE 2)

SECURING TO A HORIZONTAL SURFACE:

- 1.) MOUNT TO SURFACE USING THE TEMPLATE PROVIDED IN FIGURE 2.

FIGURE 2) WALL MOUNT/ SURFACE MOUNT TEMPLATE



17" DESKTOP MONITOR MOUNTING OPTIONS

