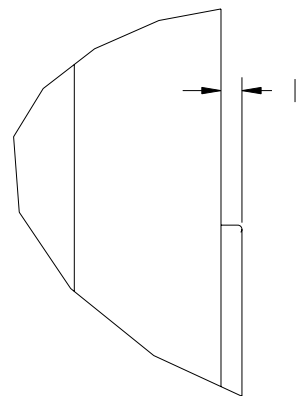
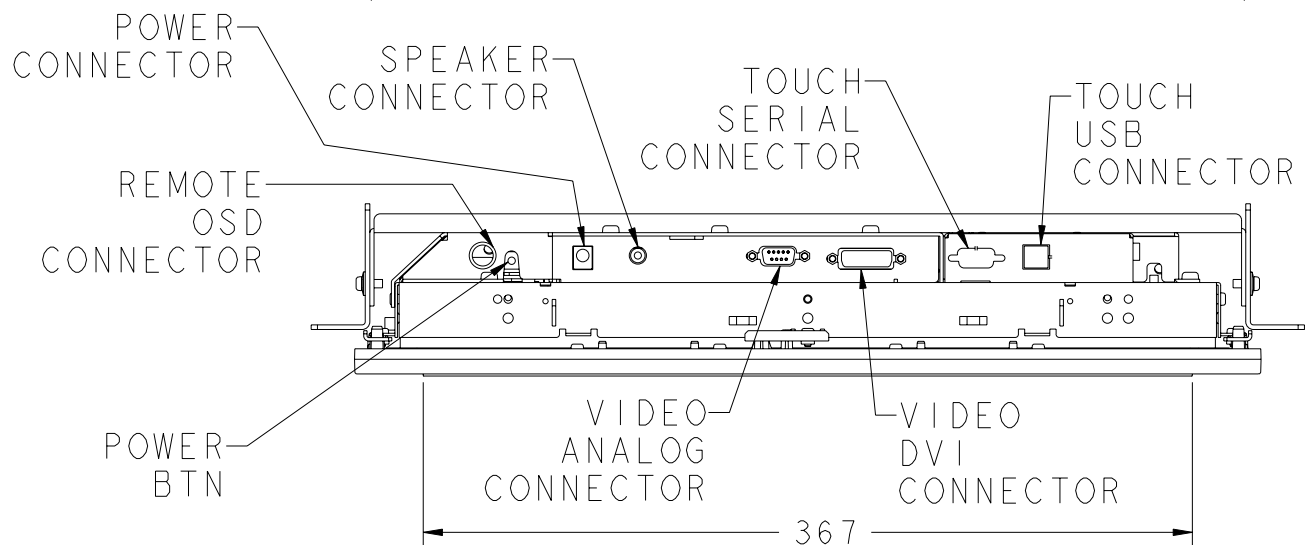
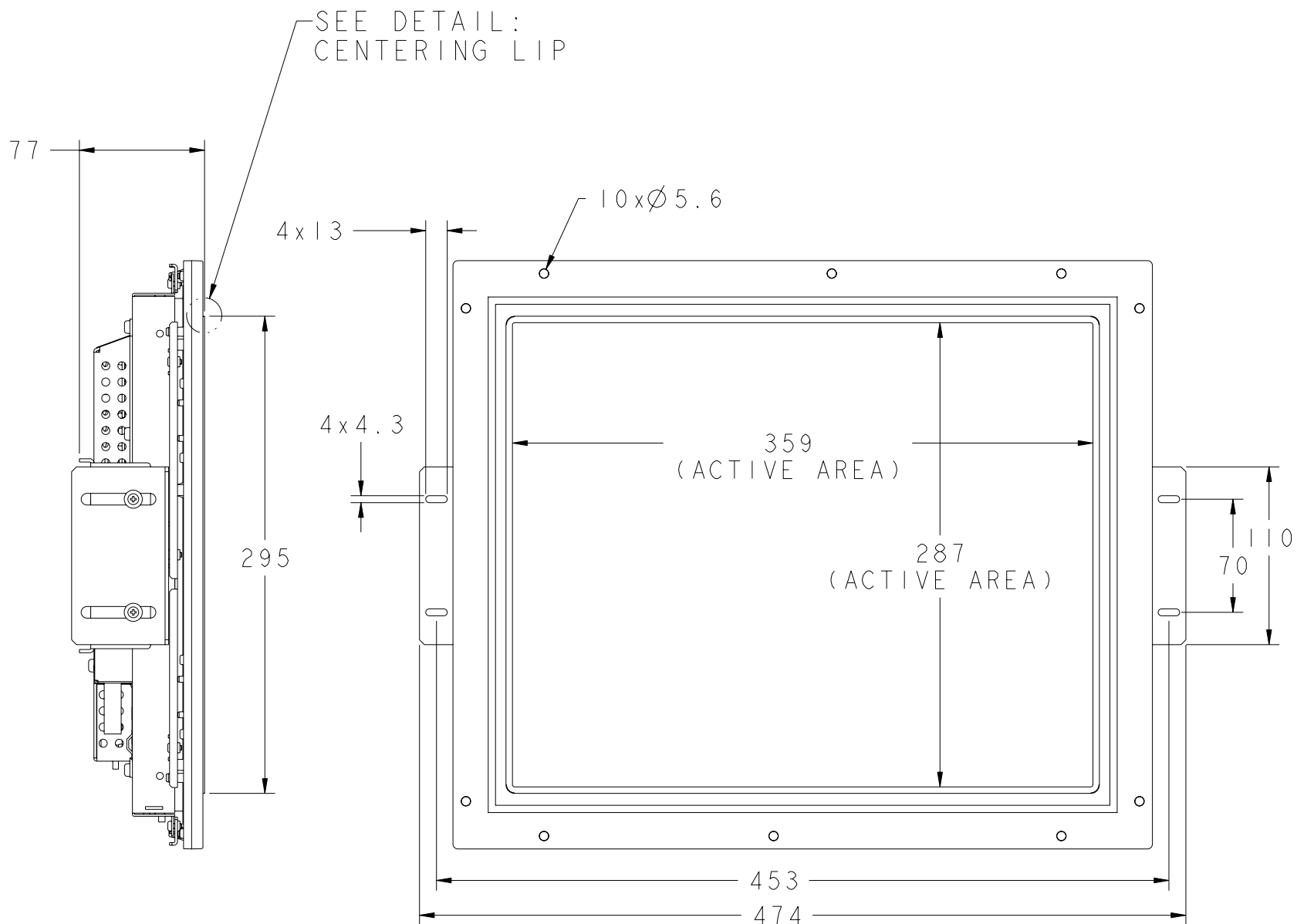
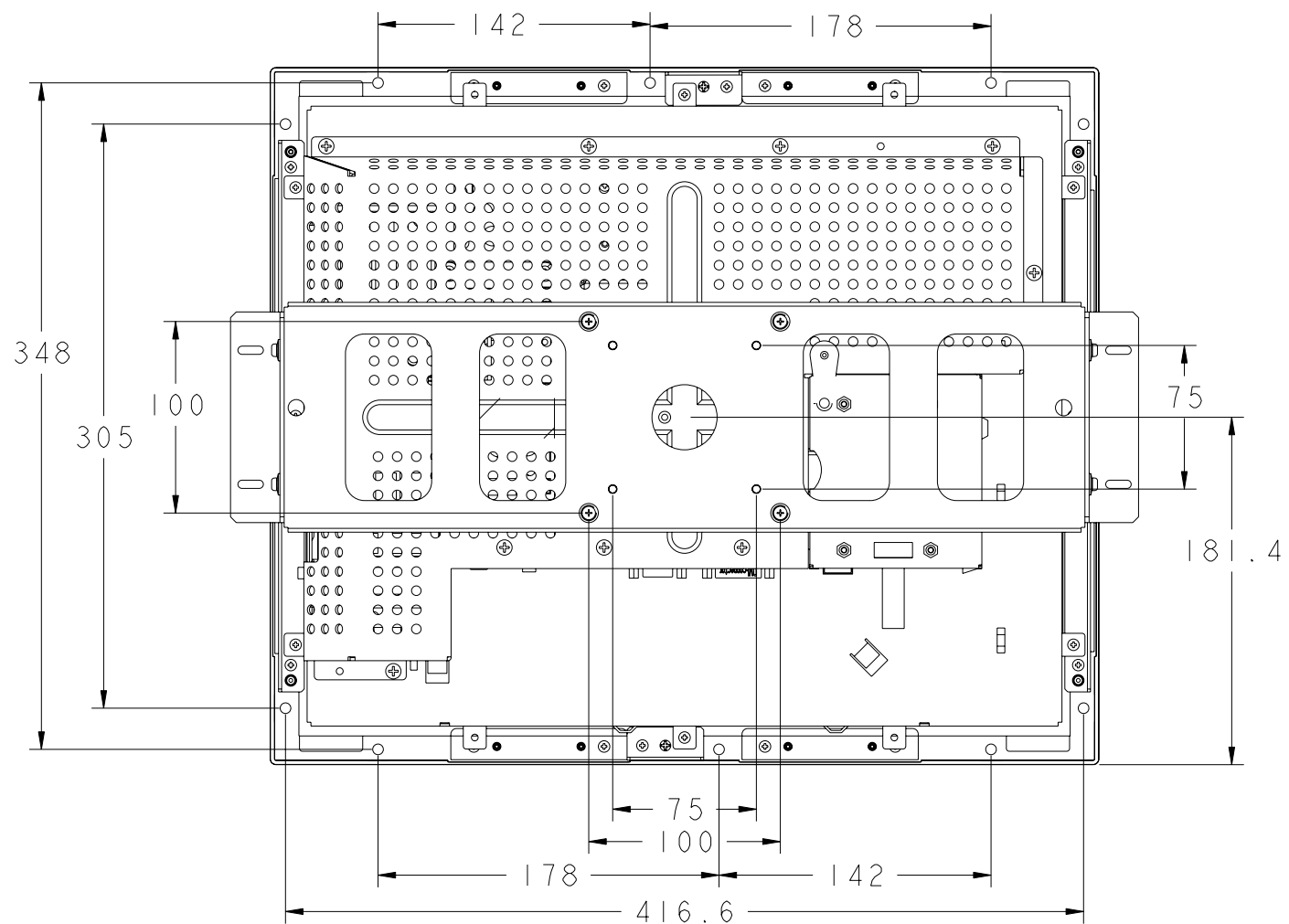


**ET1847L SERIES  
REAR MOUNT KIOSK**



DETAIL: CENTERING LIP  
SCALE 5:1



**NOTES:**

1. P/N 819602-000 FRONT/PANEL MOUNT BEZEL WITH ELO MONITOR (SEE SHT.3 OF 3), SHIPPED SEPARATELY (SEE TABLE).

2. 3D CAD FILES AVAILABLE.

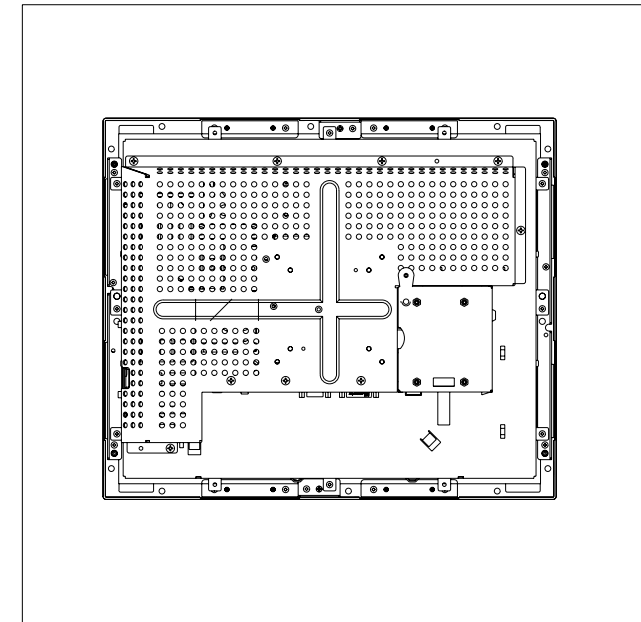
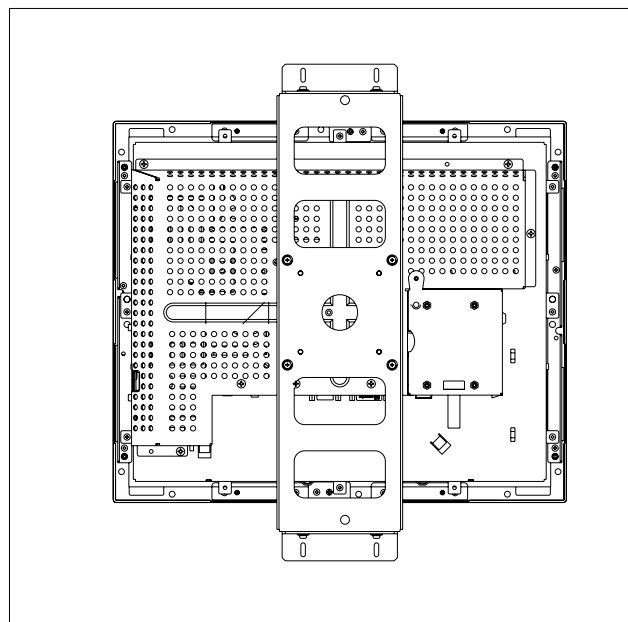
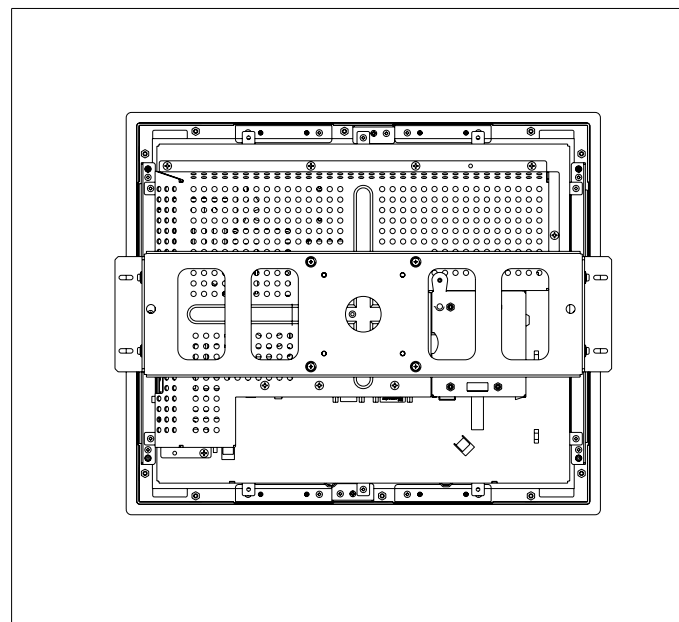
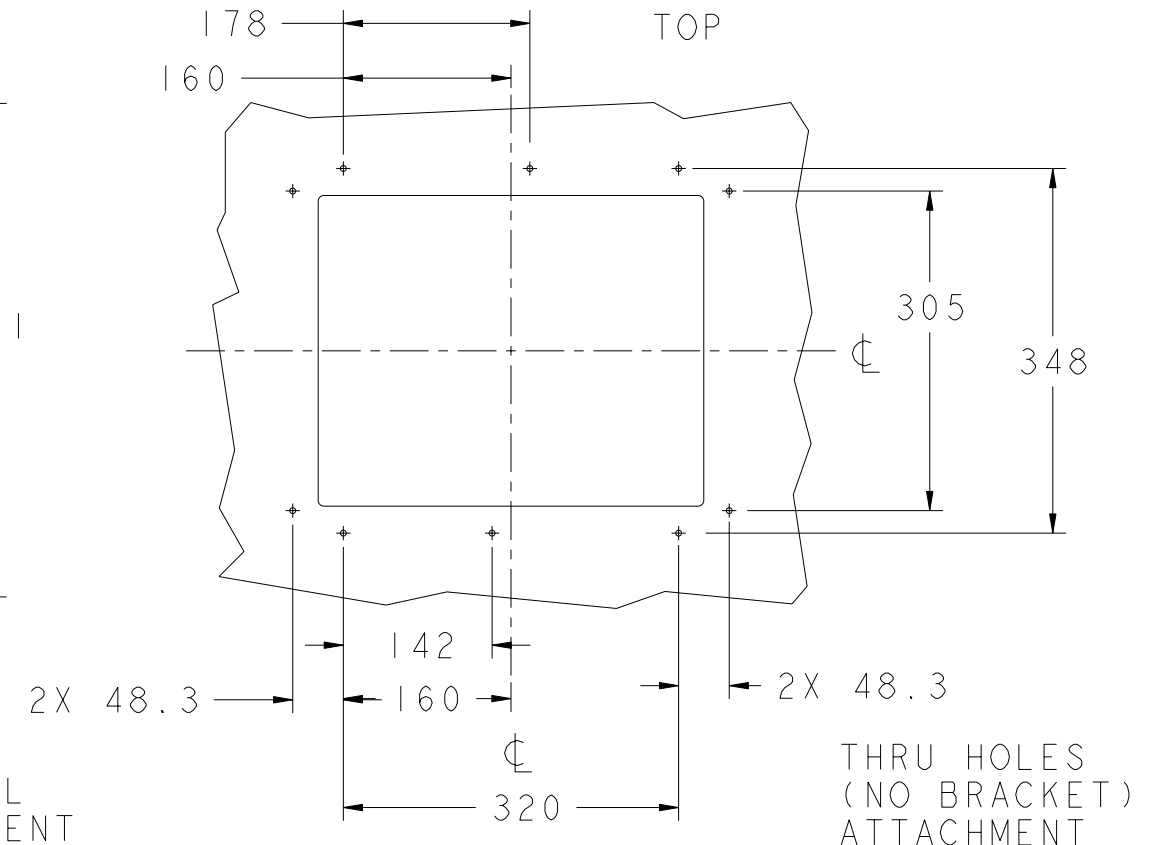
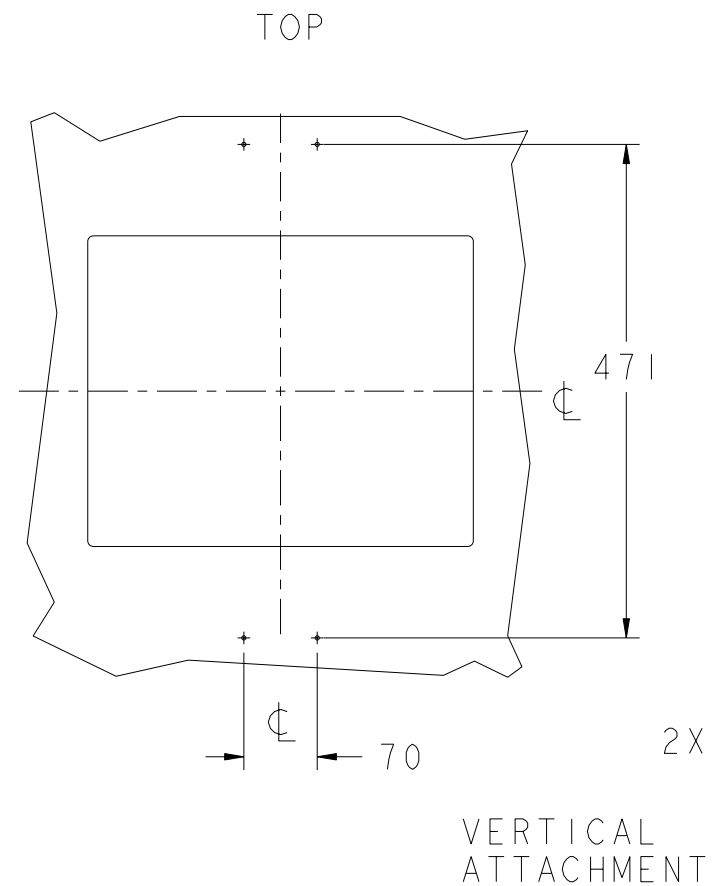
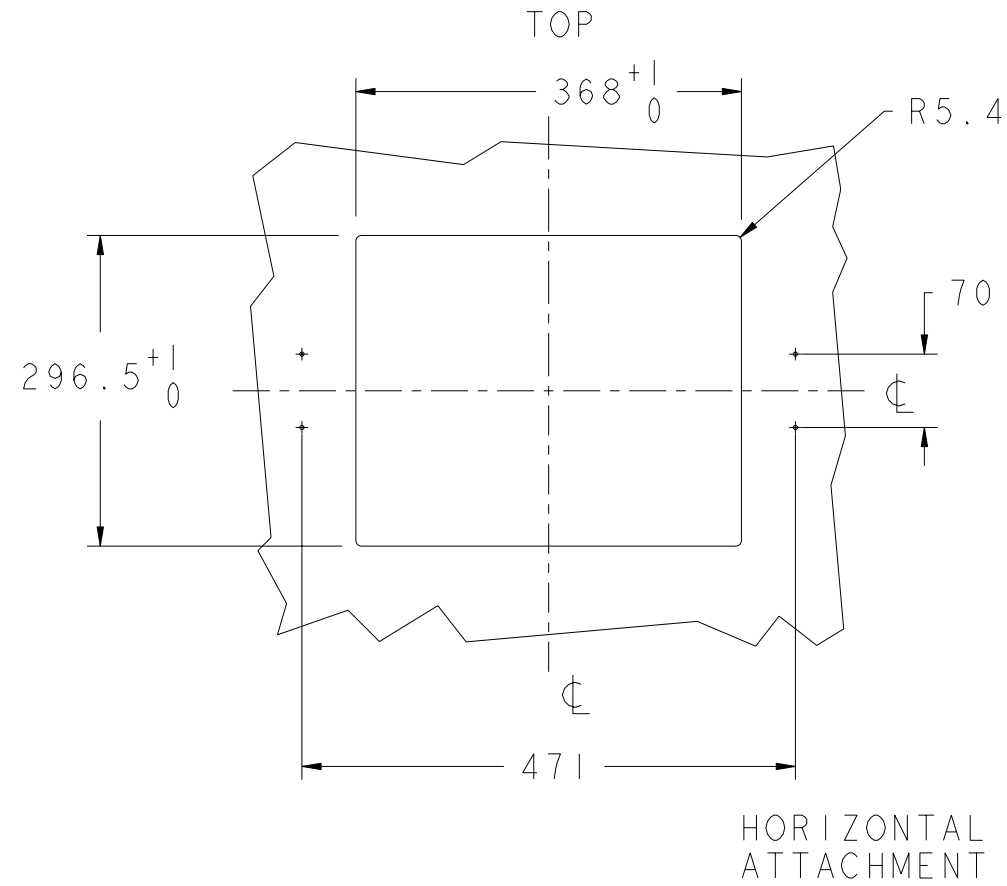
**SHT. 1 OF 4  
SCALE: 1:2**

	PIP PART NUMBER	PIP DESCRIPTION
<b>MONITOR</b>	E47366-001	ET1847L-7SWC-1
	D60952-001	ET1847L-7UWC-1
	A61734-001	ET1847L-8SWC-1
	A81302-001	ET1847L-8UWC-1
<b>FRONT/PANEL MOUNT BEZEL</b>	819602-000	BEZ-1867MODULAR-LCD

DIMENSIONS ARE IN MILLIMETERS



**CUSTOMER PANEL,  
REAR MOUNTING OPTION**



**NOTES FOR ALL MOUNTING OPTIONS:**

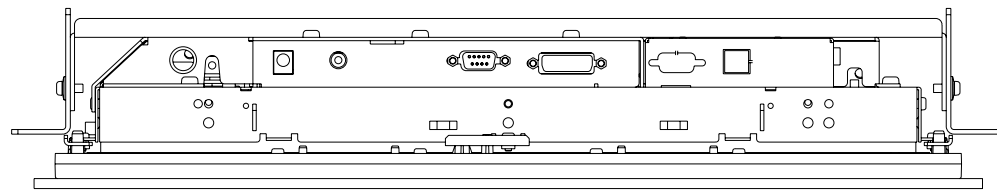
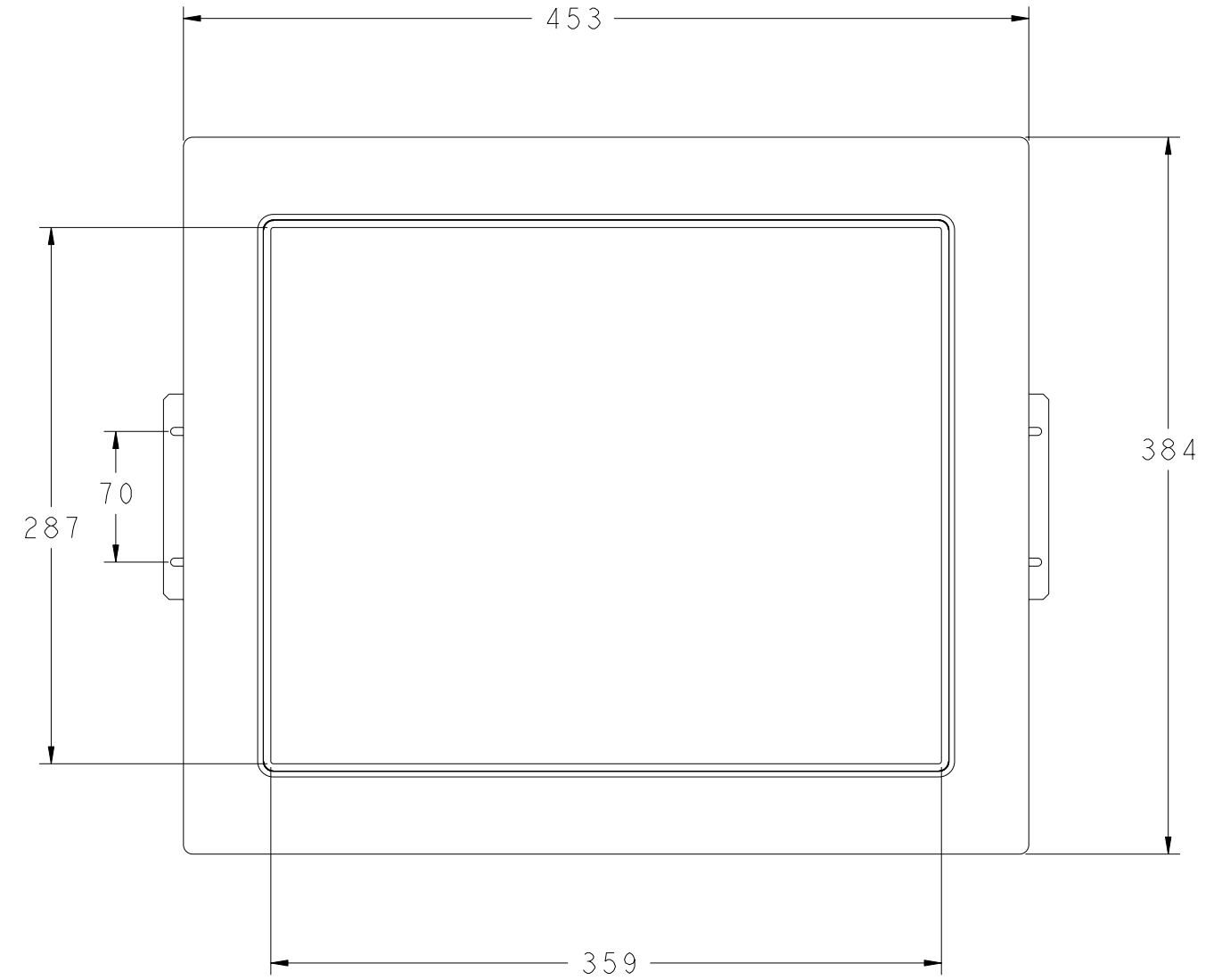
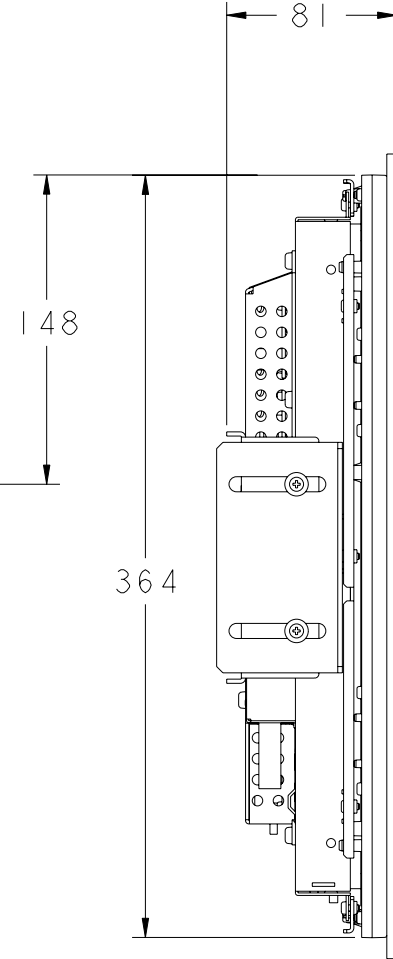
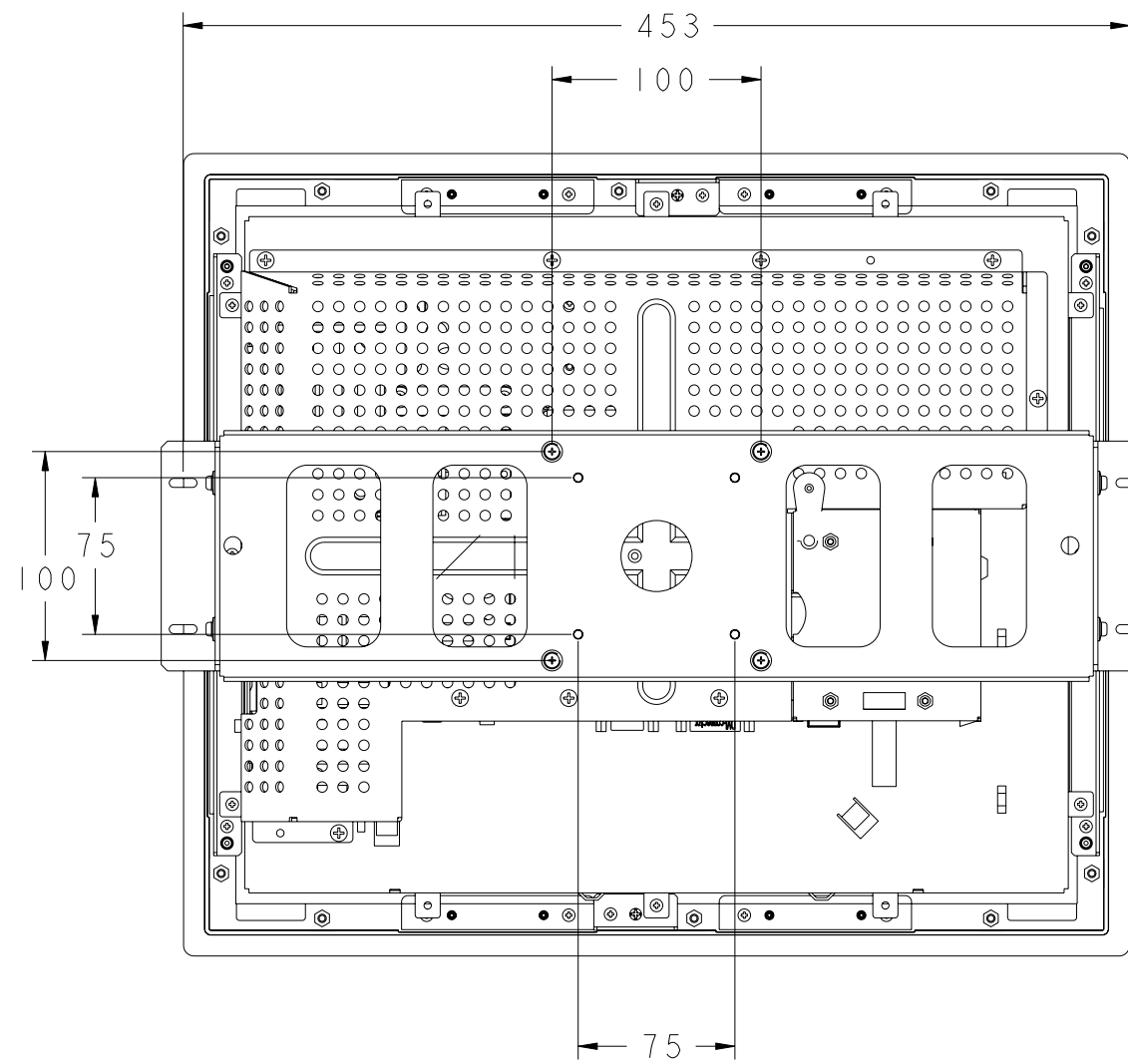
1. ALL DRAWING CENTERS ARE THE CENTER OF VIEWABLE AREA OF LCD PANEL,
2. LCD PANEL CUTOUT DIMENSIONS IN OPTION 1 APPLIES TO ALL MOUNTING OPTIONS,
3. IF CUSTOMER KIOSK MATERIAL IS WOOD:  
Ø4.5 HOLES THRU FOR M4 SCREWS W/NUTS,  
OR NO THRU HOLES . SCREWS FOR WOOD Ø4.
4. IF CUSTOMER KIOSK MATERIAL IS SHEET METAL:  
CONCEALED HEAD THREADED STUDS M4 W/NUTS.

DIMENSIONS ARE IN MILLIMETERS

SHT. 2 OF 4  
SCALE: 1 : 4



ET1867L SERIES  
FRONT/PANEL MOUNT KIOSK

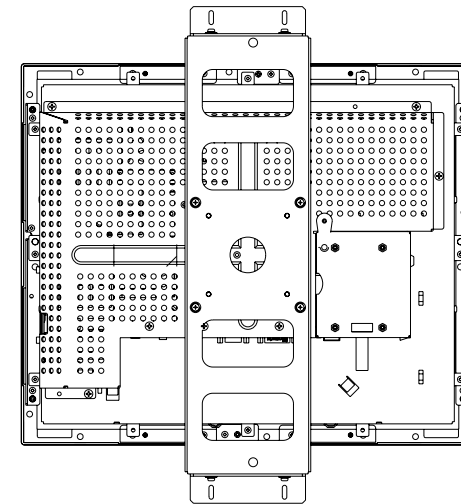
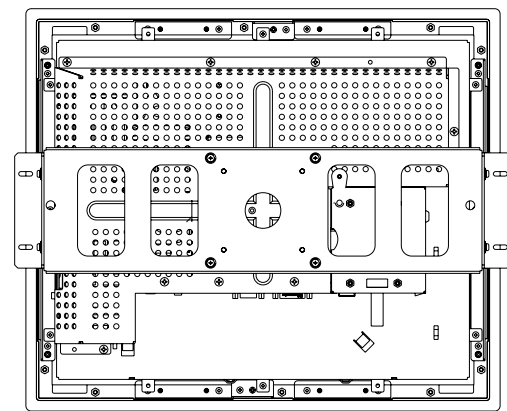
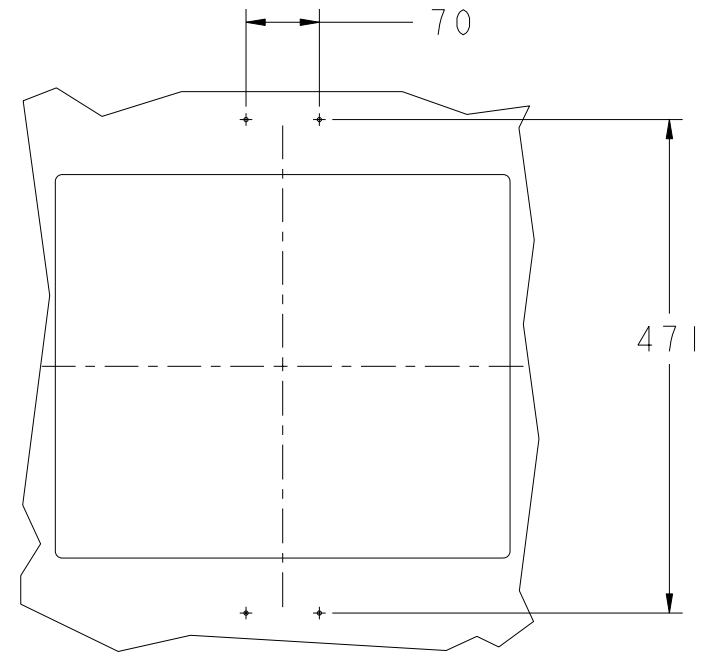
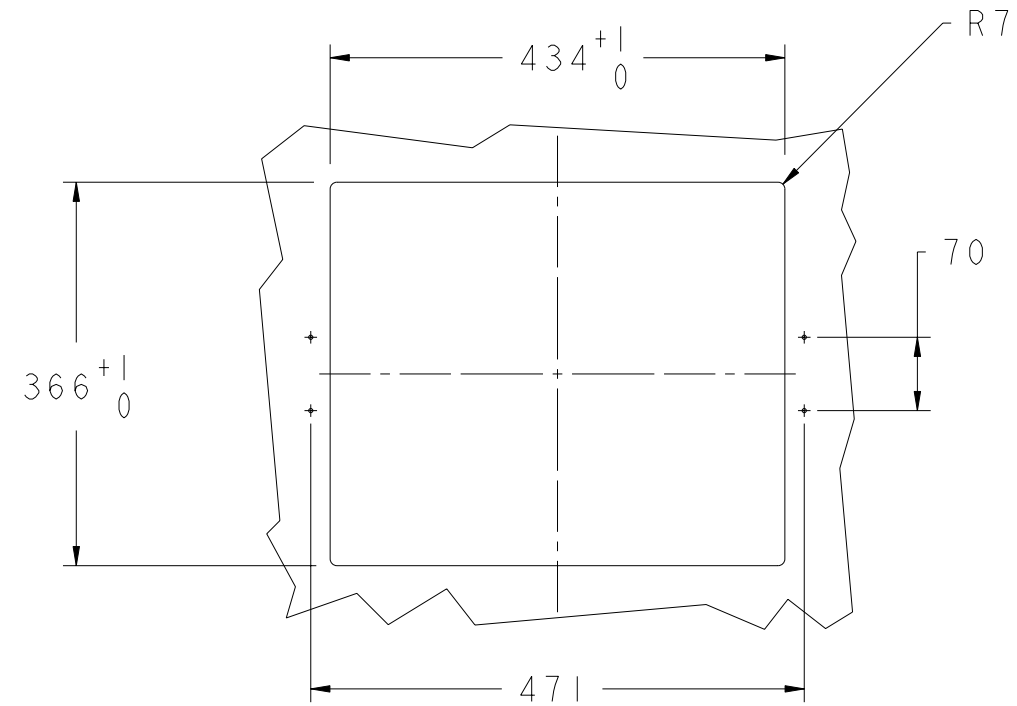


DIMENSIONS ARE IN MILLIMETERS

SHT. 3 OF 4  
SCALE: 1:2



**CUSTOMER PANEL,  
FRONT MOUNTING OPTION**



**NOTES FOR ALL MOUNTING OPTIONS:**

1. ALL DRAWING CENTERS ARE THE CENTER OF VIEWABLE AREA OF LCD PANEL,
2. LCD PANEL CUTOUT DIMENSIONS IN OPTION 1 APPLIES TO ALL MOUNTING OPTIONS,
3. IF CUSTOMER KIOSK MATERIAL IS WOOD:  
Ø4.5 HOLES THRU FOR M4 SCREWS W/NUTS,  
OR NO THRU HOLES . SCREWS FOR WOOD Ø4.
4. IF CUSTOMER KIOSK MATERIAL IS SHEET METAL:  
CONCEALED HEAD THREADED STUDS M4 W/NUTS.

DIMENSIONS ARE IN MILLIMETERS

**SHT.4 OF 4**  
**SCALE: 1:4**

