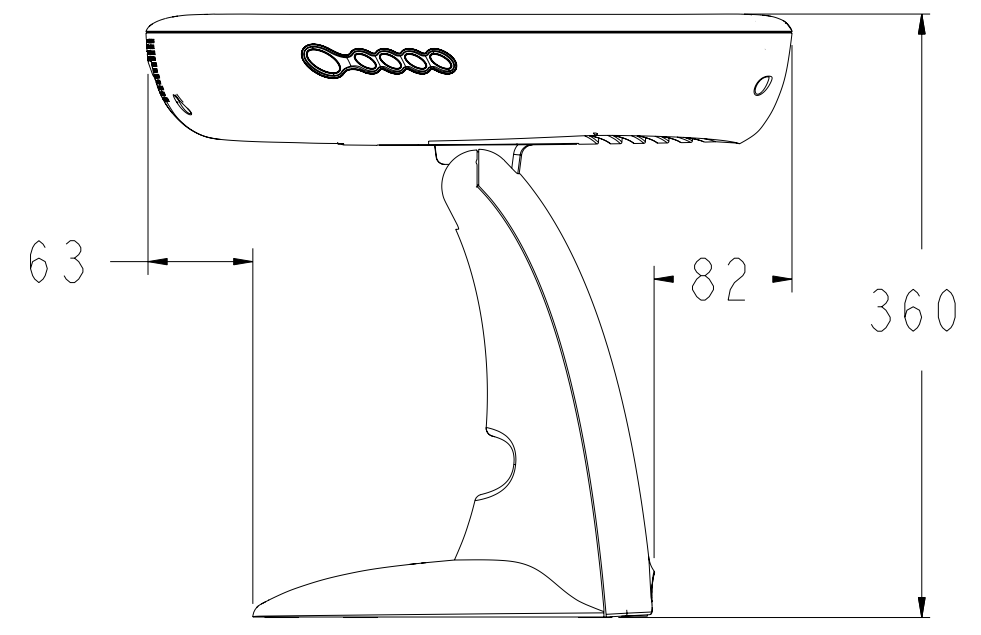


FORWARD TILT - 5° FROM VERTICAL



AFT TILT - 90° FROM VERTICAL

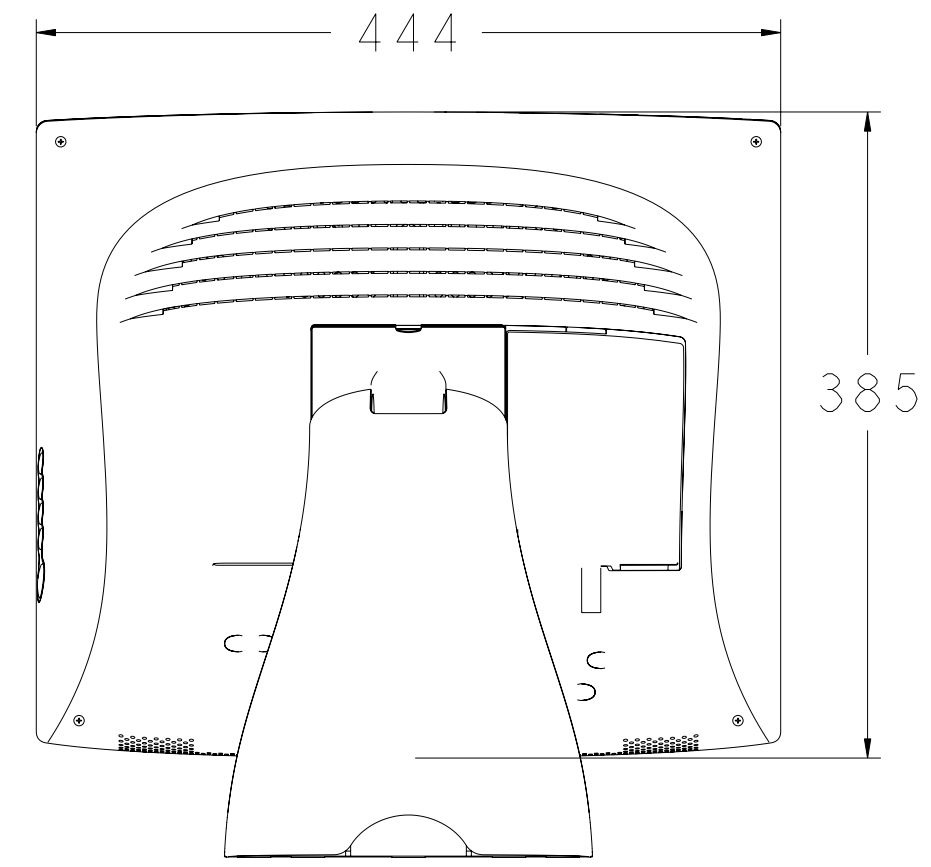
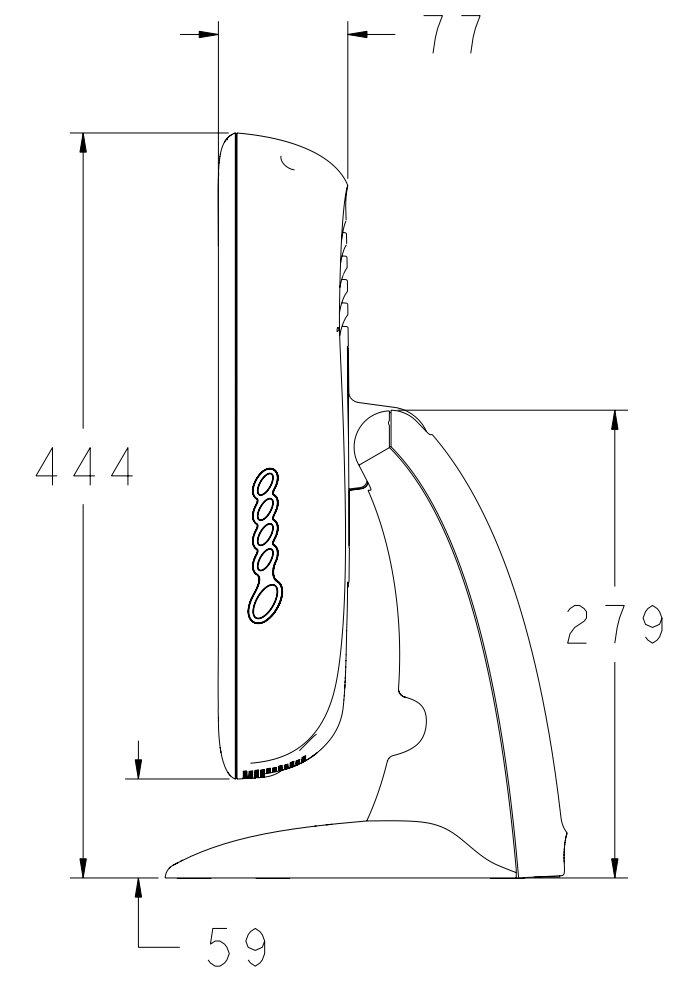
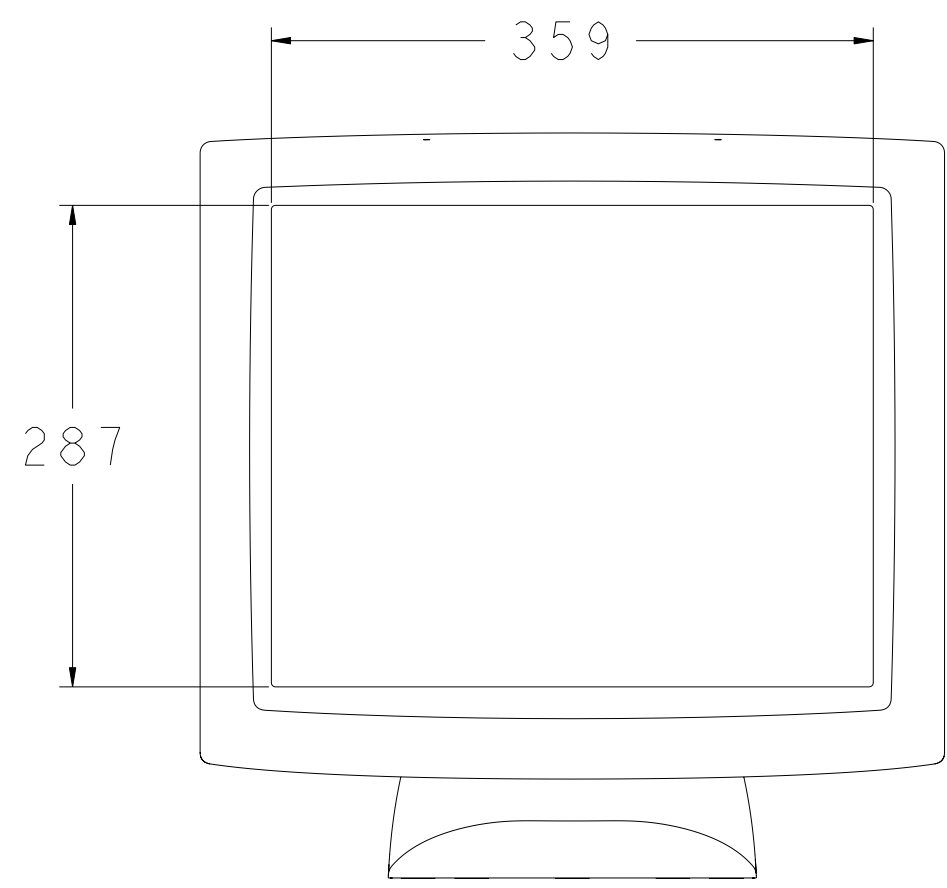
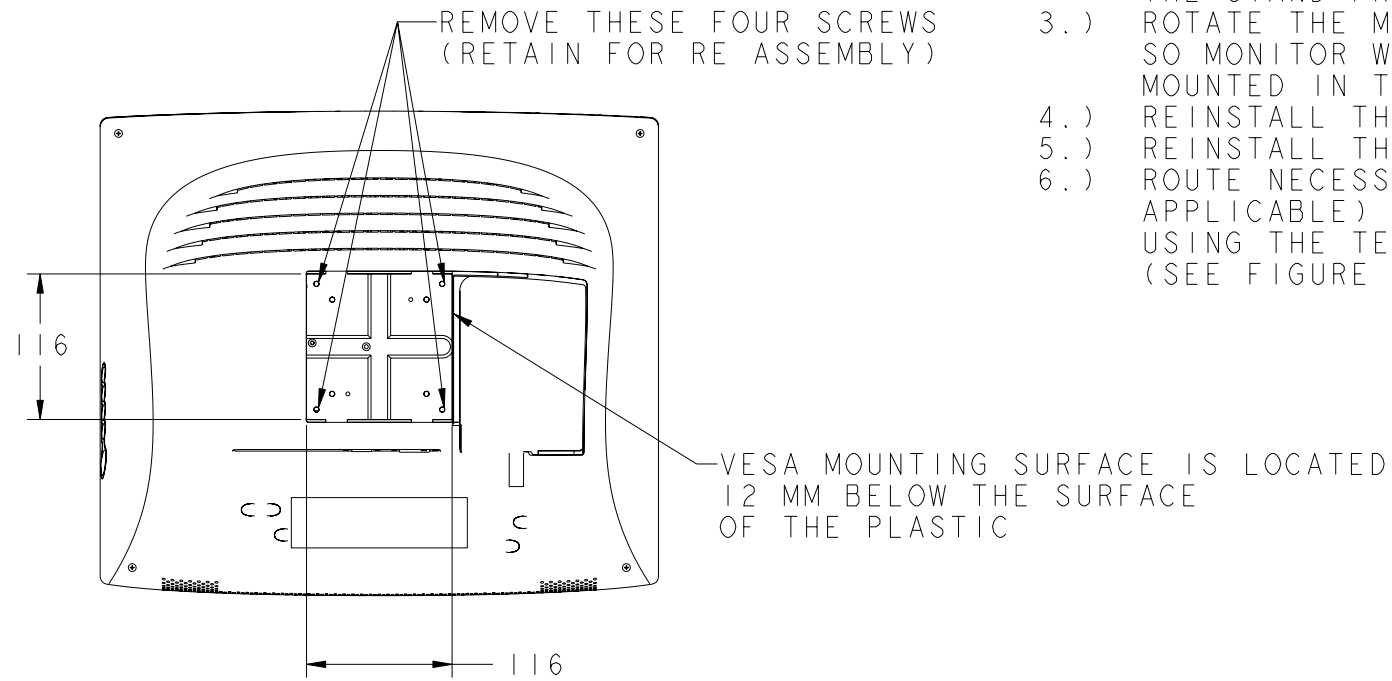
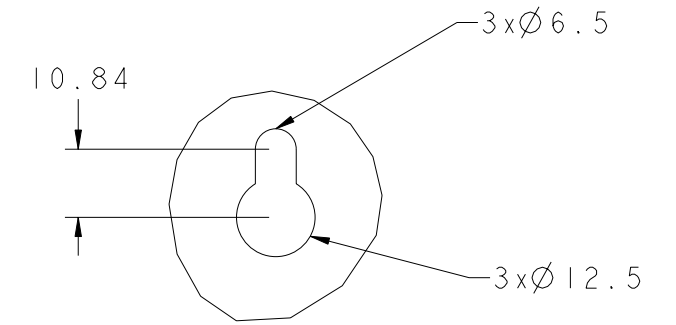


FIGURE 1) STAND AND DISPLAY SEPARATION
(BASE REMOVED FOR EASE OF VIEW)



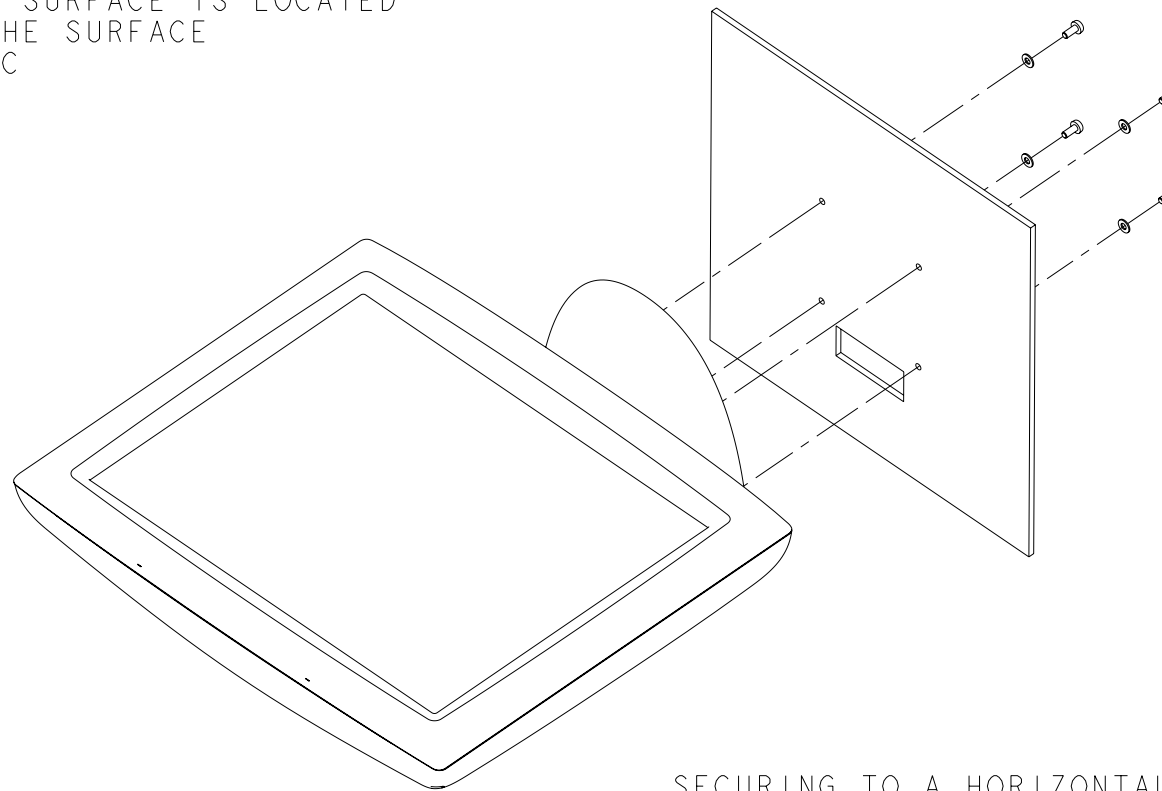
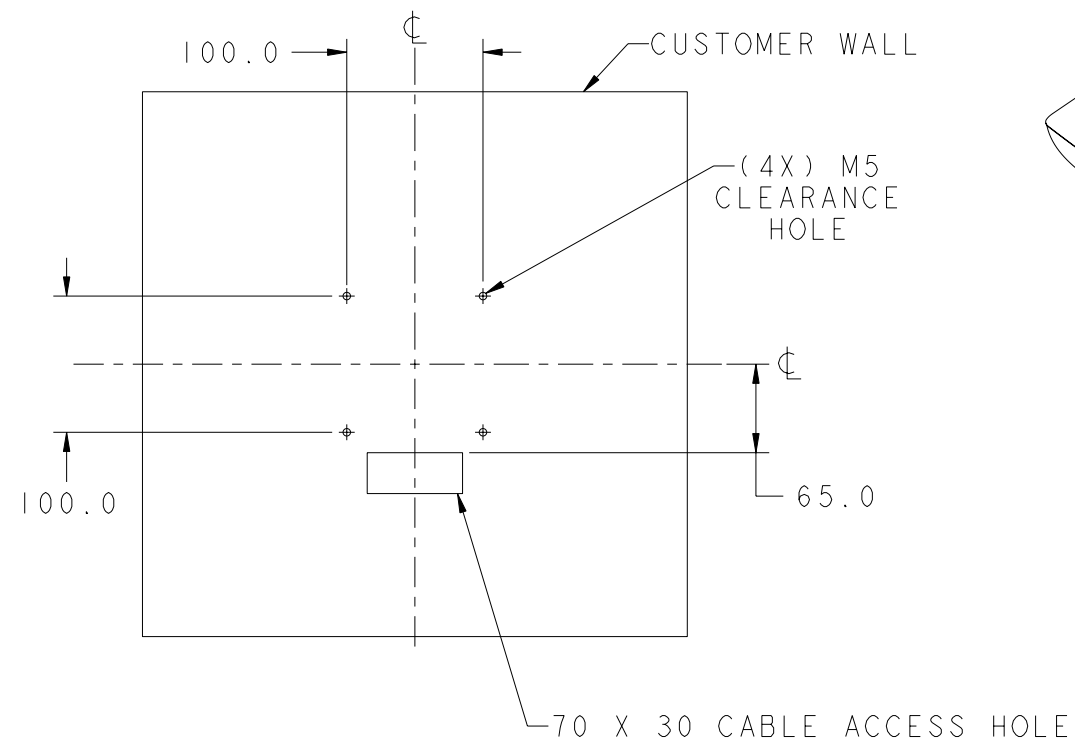
MOUNTING TO A WALL:

- 1.) REMOVE HINGE COVER LOCATED ON THE BACK OF THE MONITOR.
- 2.) REMOVE THE FOUR SCREWS IN ORDER TO SEPARATE THE STAND FROM THE MONITOR (SEE FIGURE 1).
- 3.) ROTATE THE MONITOR 180° (THIS IS NECESSARY SO MONITOR WILL NOT BE UPSIDE DOWN WHEN MOUNTED IN THE POSITION SHOWN).
- 4.) REINSTALL THE FOUR SCREWS.
- 5.) REINSTALL THE HINGE COVER.
- 6.) ROUTE NECESSARY CABLES THROUGH WALL (IF APPLICABLE) AND MOUNT MONITOR TO WALL USING THE TEMPLATE PROVIDED ABOVE (SEE FIGURE 2)



DETAIL A
SCALE 3:2

FIGURE 2) WALL MOUNT/ SURFACE MOUNT TEMPLATE



- SECURING TO A HORIZONTAL SURFACE:
- 1.) MOUNT TO SURFACE USING THE TEMPLATE PROVIDED IN FIGURE 2.

