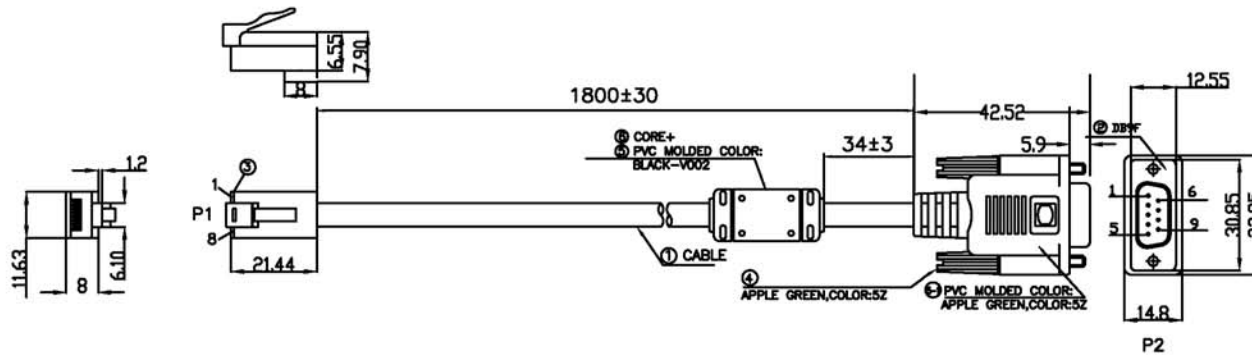


RJ45 TO DB9 SERIAL CONVERSION CABLE
MARKETING DRAWING



CONNECTOR P1

RJ-45 PLUG CONNECTION MATES WITH
RJ-45 PHONE JACK ON SERIAL HUB

CONNECTOR	Q' TY	PART #	DESCRIPTION
P1	1	BON 7801R8P8C50 μ A OR EQUIVALENT	RJ-45 PLUG
P2	1	SWEETRAY DS-9FCN OR EQUIVALENT	DB-9 FRMALE/SOLDER TYPE

PIN*	SIGNAL NAME
1	DCD
2	RXD
3	CTS
4	SIGNAL GROUND
5	TXD
6	RTS
7	DSR
8	DTR

CONNECTOR P2

SERIAL TOUCH SCREEN
CONTROLLER CONNECTION MATES
WITH HOST PC DB-9 MALE CONNECTOR

PIN*	SIGNAL NAME
1	DCD
2	RXD
3	TXD
4	DTR
5	SIGNAL GROUND
6	DSR
7	RTS
8	CTS
9	NOT USED

P/N E26582-000

DIMENSIONS ARE IN MILLIMETERS

SHEET 1 OF 1

