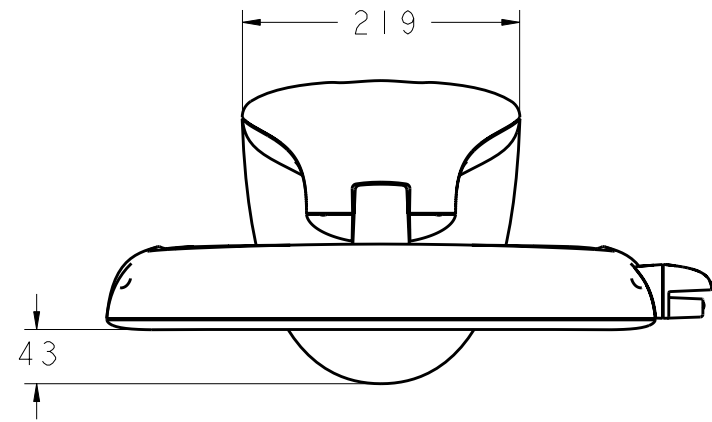
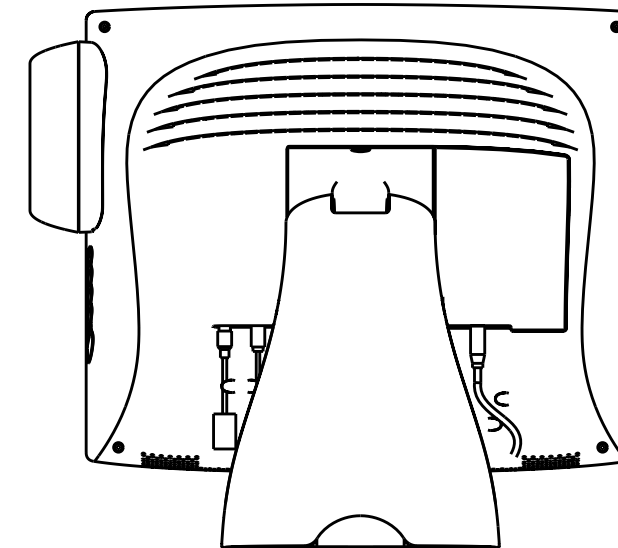
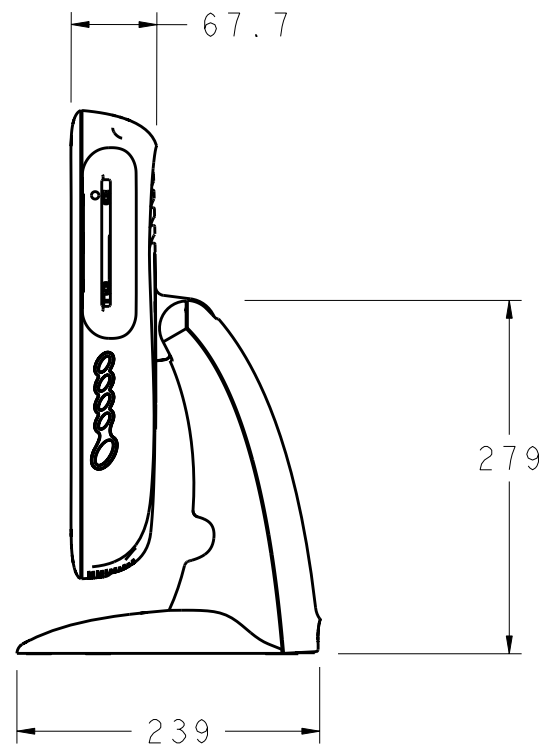
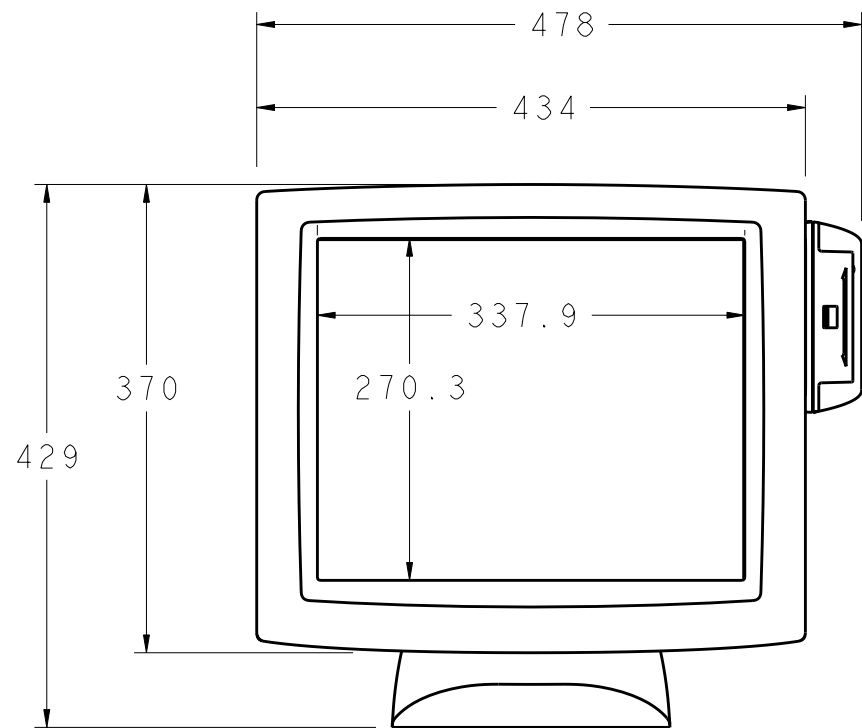
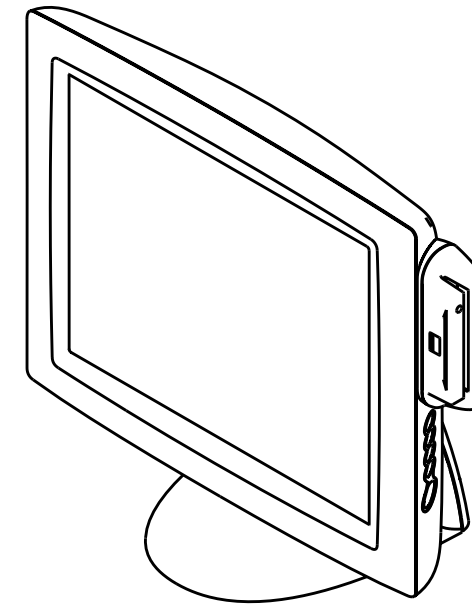


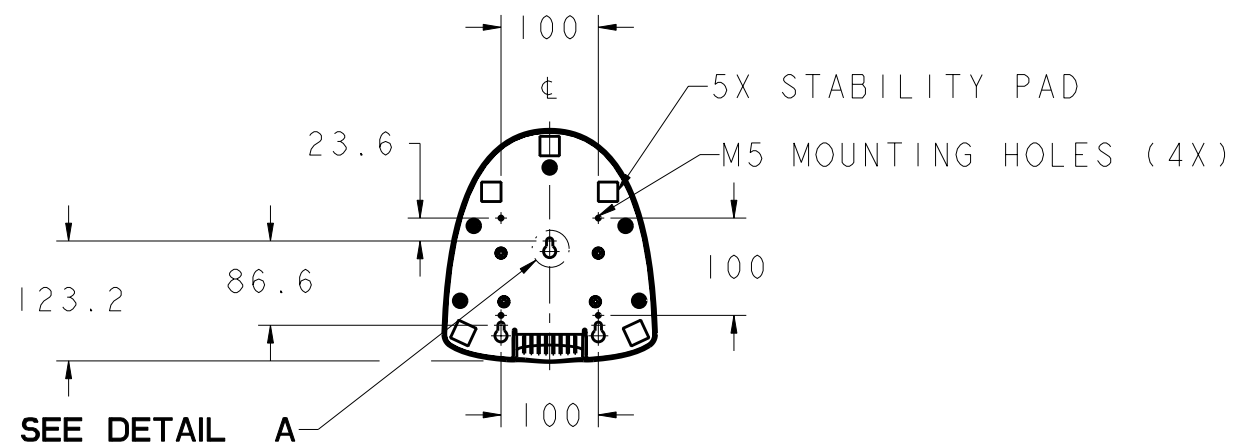
MKTG DWG, ET1725L MSR SERIES



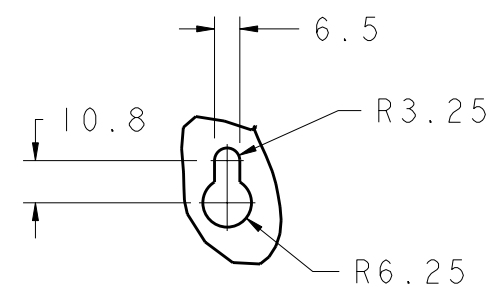
PART NUMBER	DESCRIPTION
E76025-001	ET1725L-7SWF-I-MSR
E87300-001	ET1725L-7UWF-I-MSR
E43463-001	ET1725L-7UWF-I-MSRKB
DI4995-001	ET1725L-8SWF-I-MSR
F37082-001	ET1725L-8UWF-I-MSR
D66140-001	ET1725L-8UWF-I-MSRKB



NOTE: INTERNAL MSR CABLE FOR USB VERSION ONLY!



BASE BOTTOM  
SCALE 1:4



DETAIL SCALE A  
1:1

DIMENSIONS ARE IN MILLIMETERS

SHT. 1 OF 1