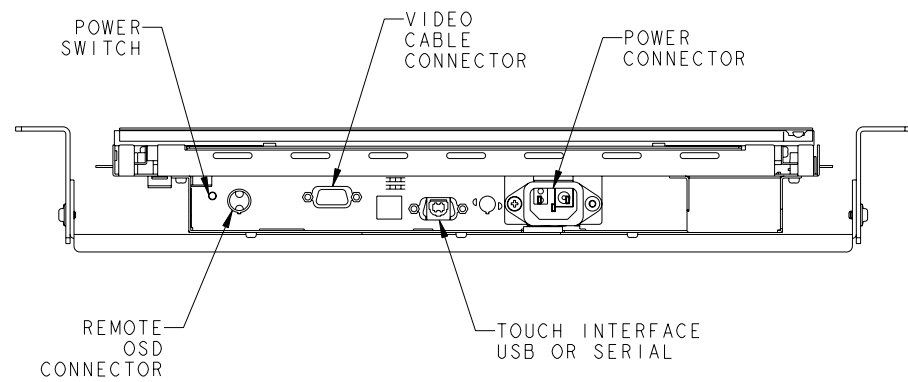
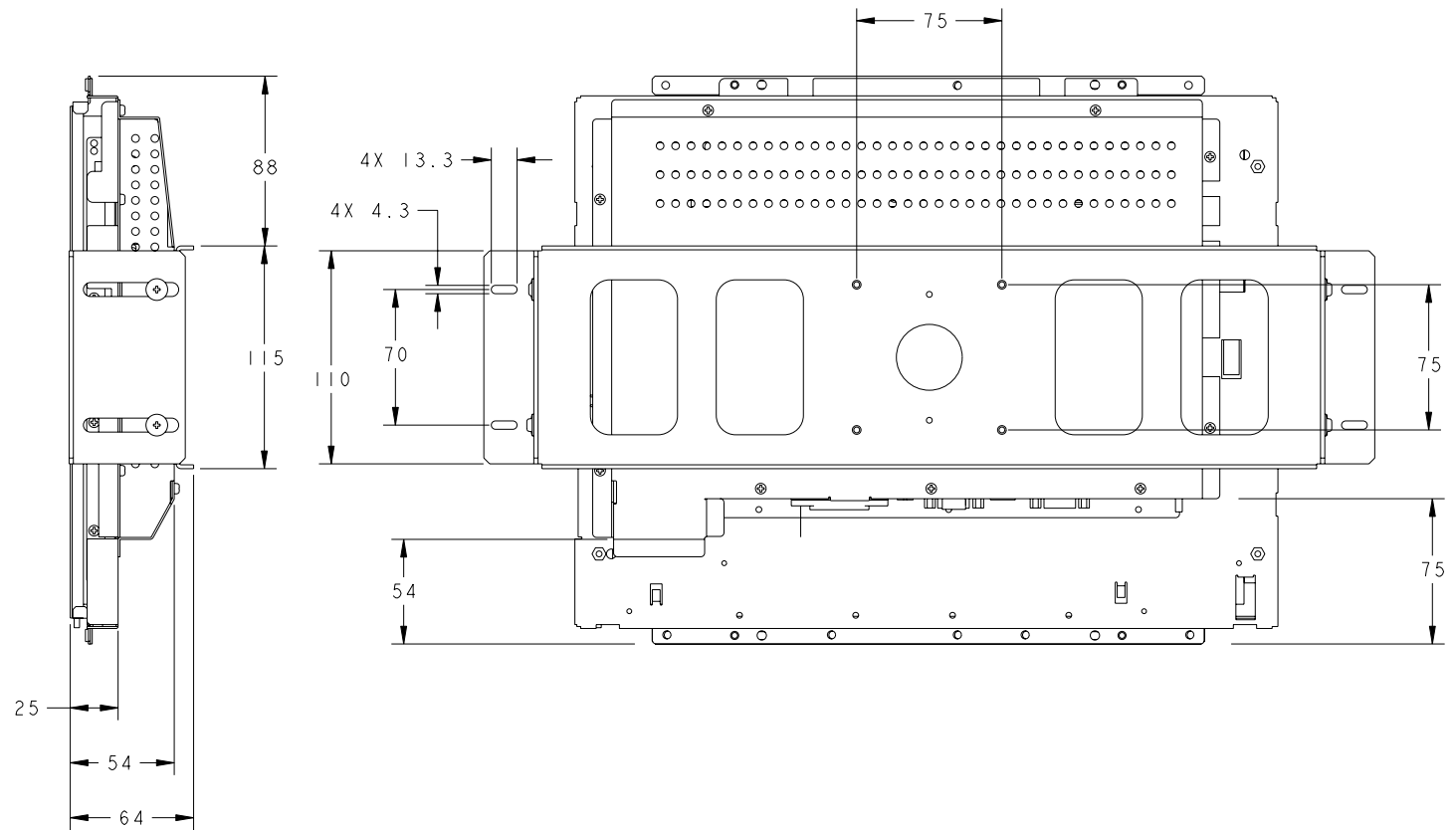
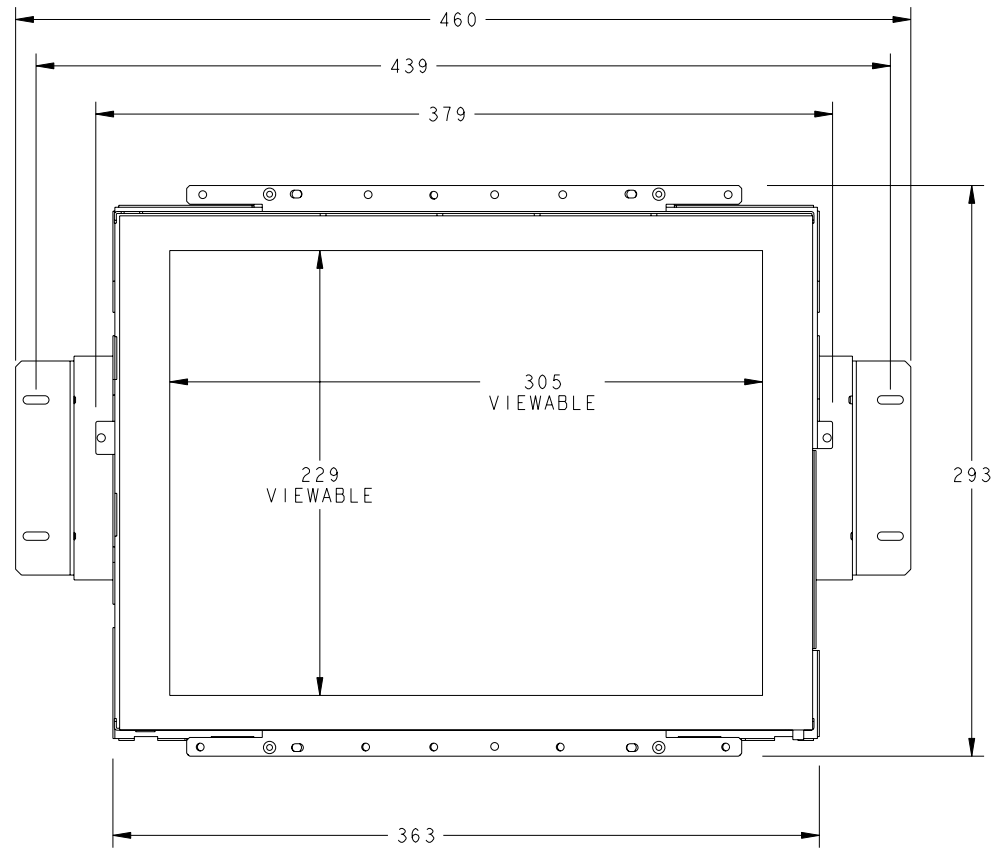


REAR MOUNT,
ET154XL PROJECTED CAPACITIVE
"THROUGH GLASS"



PART NUMBER	PART DESCRIPTION
A71384-000	ET1547L-2SWC-1
E61893-000	ET1549L-25WD-1

SHEET 1 OF 3
SCALE 1 : 2

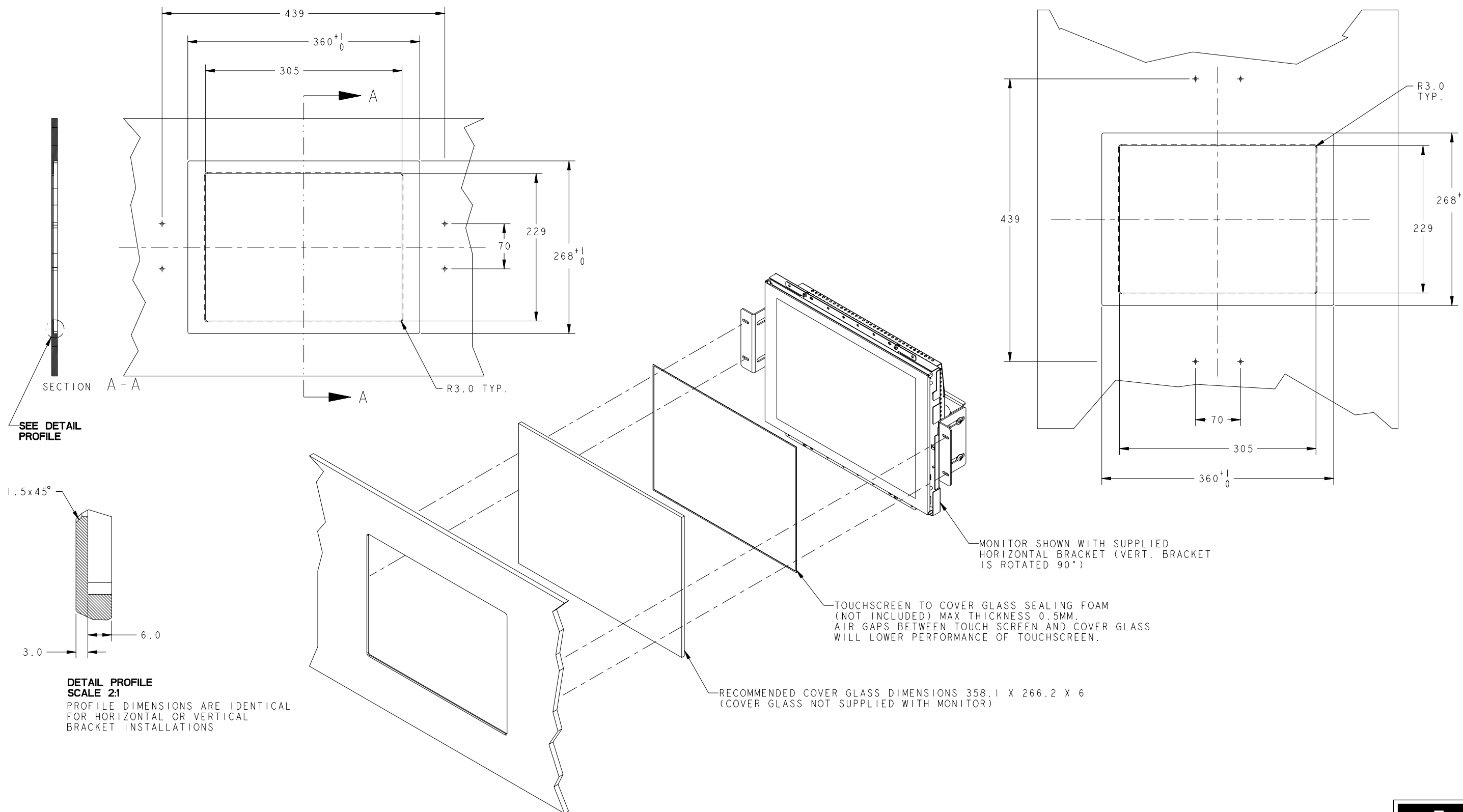
DIMENSIONS ARE IN MILLIMETERS



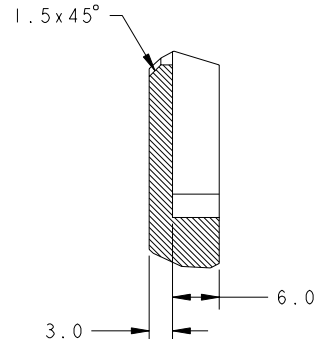
PLATE CUT OUT, ELO BRACKET INSTALLATION

HORIZONTAL BRACKET INSTALLATION

VERTICAL BRACKET INSTALLATION



SEE DETAIL PROFILE



DETAIL PROFILE
SCALE 2:1
PROFILE DIMENSIONS ARE IDENTICAL FOR HORIZONTAL OR VERTICAL BRACKET INSTALLATIONS

MONITOR SHOWN WITH SUPPLIED HORIZONTAL BRACKET (VERT. BRACKET IS ROTATED 90°)

TOUCHSCREEN TO COVER GLASS SEALING FOAM (NOT INCLUDED) MAX THICKNESS 0.5MM. AIR GAPS BETWEEN TOUCH SCREEN AND COVER GLASS WILL LOWER PERFORMANCE OF TOUCHSCREEN.

RECOMMENDED COVER GLASS DIMENSIONS 358.1 X 266.2 X 6 (COVER GLASS NOT SUPPLIED WITH MONITOR)

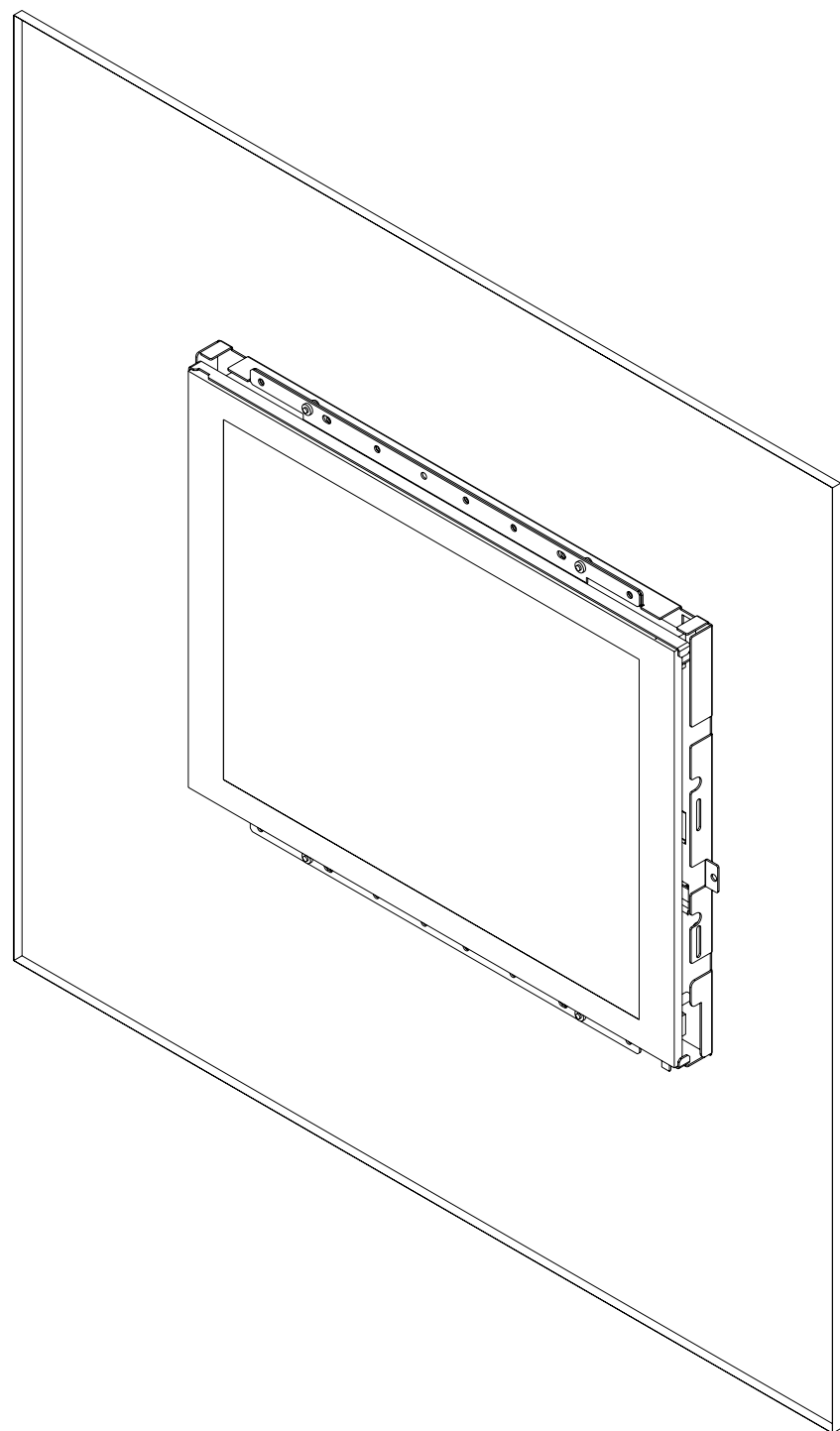
1. THIS MONITOR IS DESIGNED TO BE MOUNTED BEHIND A SEPARATE PIECE OF CUSTOMER SUPPLIED GLASS OR PLASTIC
2. IF A METAL BEZEL IS USED AROUND THIS MONITOR THE BEZEL MUST:
 - BE GROUNDED
 - BE SPACED MINIMUM 2MM FROM THE FRONT SURFACE OF THE TOUCH SCREEN
 - HAVE AN APERTURE THAT IS 10MM LARGER ON ALL SIDES THAN THE ACTIVE AREA OF THE TOUCH SCREEN
3. ALWAYS CONSULT USER MANUAL OR ELO TECHNICAL SUPPORT BEFORE DESIGNING INTEGRATED SOLUTIONS
4. MATERIAL:
 - WOOD: Ø4.5 HOLES THRU FOR M4 SCREWS W/ NUTS, OR NO THRU HOLES, SCREWS FOR WOOD Ø4
 - METAL: CONCEALED HEAD THREADED STUDS M4 W/ NUTS
5. 3D FILES AVAILABLE

DIMENSIONS ARE IN MILLIMETERS

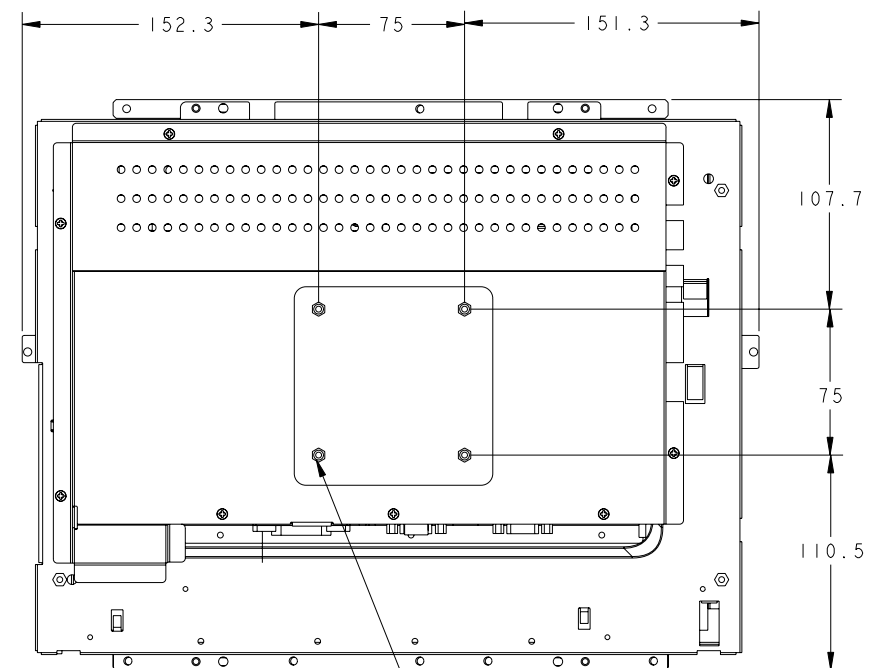
SHEET 2 OF 3
SCALE 13:40



NO BRACKET INSTALLATION



CUSTOMER SUPPLIED COVER GLASS
(IE: STORE FRONT WINDOW)



M4 X 75 MM VESA PATTERN

1. THIS MONITOR IS DESIGNED TO BE MOUNTED BEHIND A SEPARATE PIECE OF CUSTOMER SUPPLIED GLASS OR PLASTIC
2. IF A METAL BEZEL IS USED AROUND THIS MONITOR THE BEZEL MUST:
 - BE GROUNDED
 - BE SPACED MINIMUM 2MM FROM THE FRONT SURFACE OF THE TOUCH SCREEN
 - HAVE AN APERTURE THAT IS 10MM LARGER ON ALL SIDES THAN THE ACTIVE AREA OF THE TOUCH SCREEN
3. ALWAYS CONSULT USER MANUAL OR ELO TECHNICAL SUPPORT BEFORE DESIGNING INTEGRATED SOLUTIONS
4. TOUCHSCREEN TO COVER GLASS SEALING FOAM (ALTHOUGH NOT REQUIRED) MAX THICKNESS IS 0.5MM. OTHERWISE TOUCH PERFORMANCE IS AFFECTED
5. 3D FILES AVAILABLE

DIMENSIONS ARE IN MILLIMETERS

SHEET 3 OF 3
SCALE 1 : 2