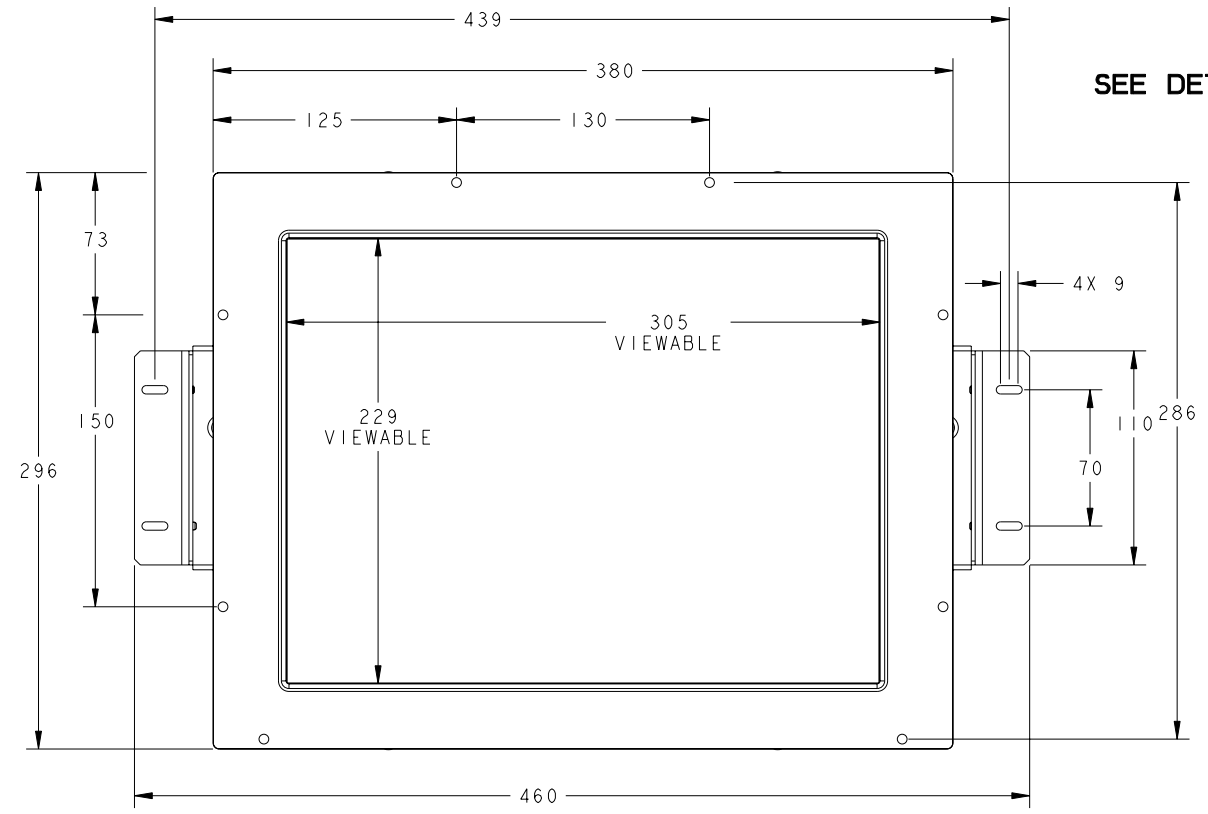
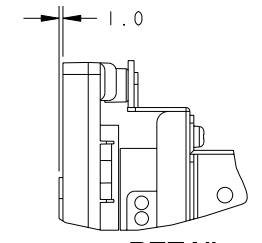
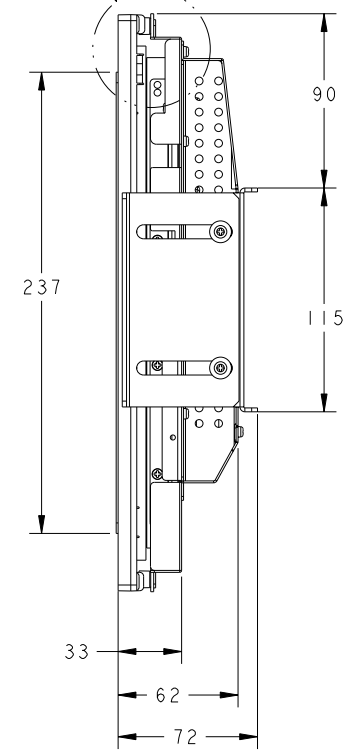


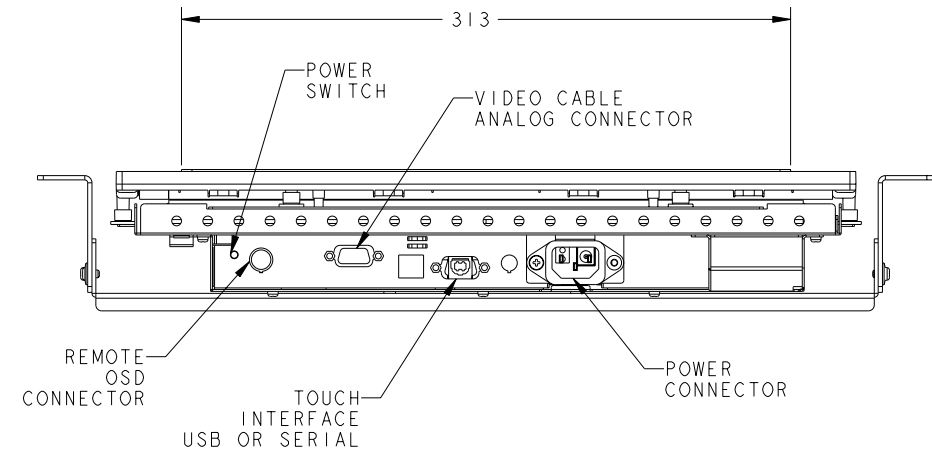
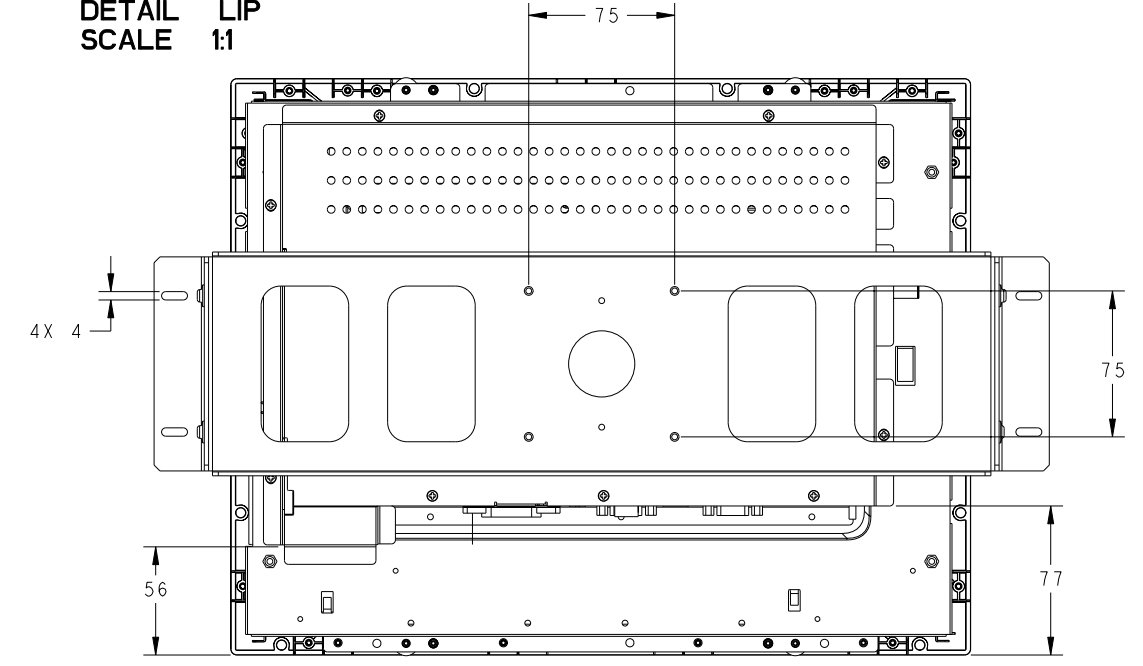
REAR MOUNT  
ET1547L/ET1549L PROJECTED CAPACITIVE  
"DIRECT TOUCH"



SEE DETAIL LIP



DETAIL LIP  
SCALE 1:1



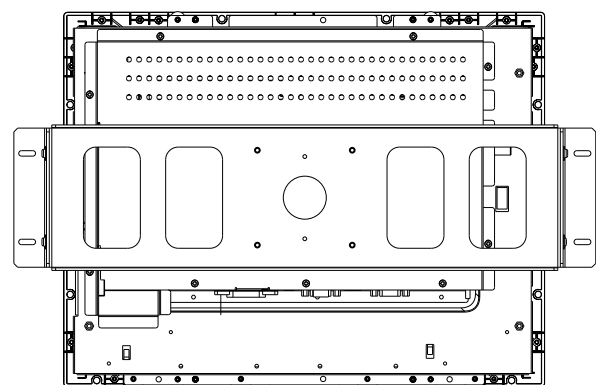
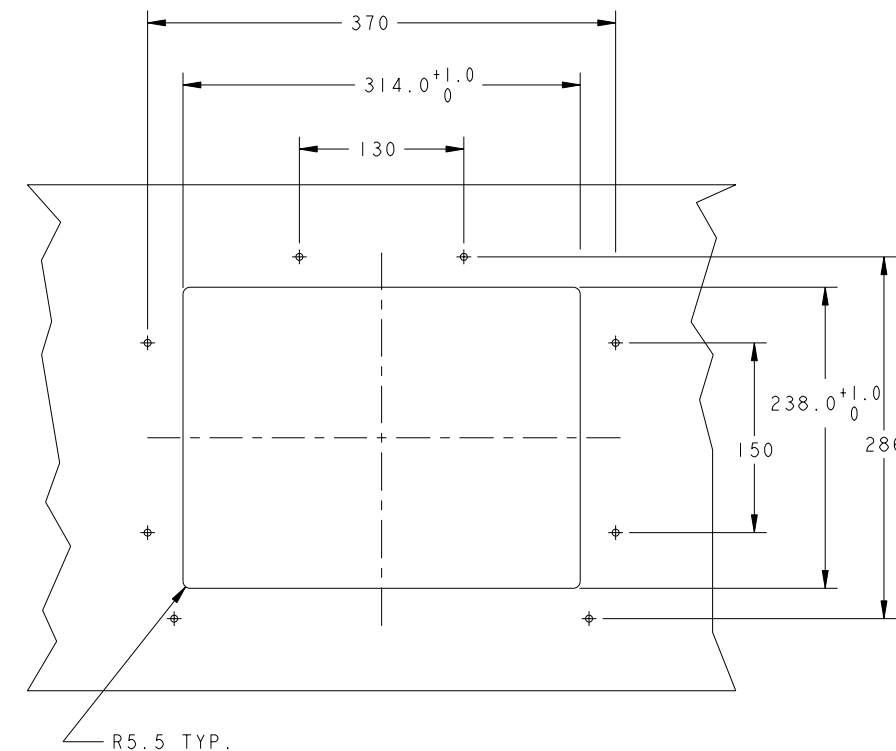
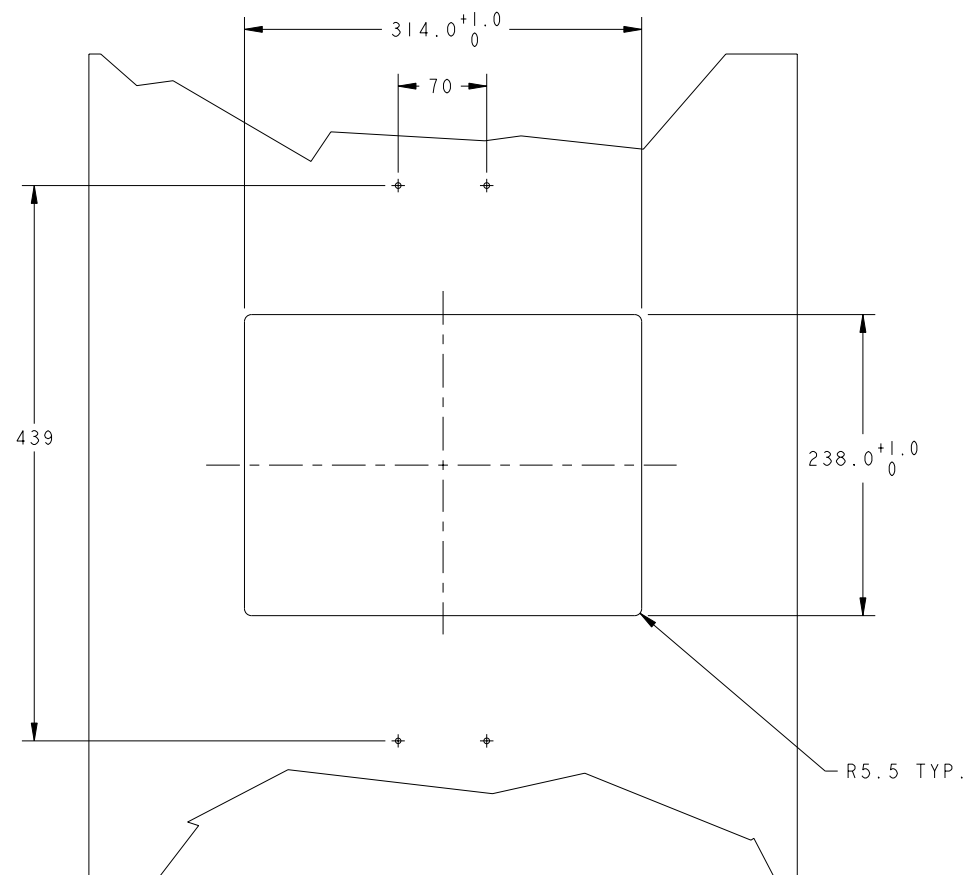
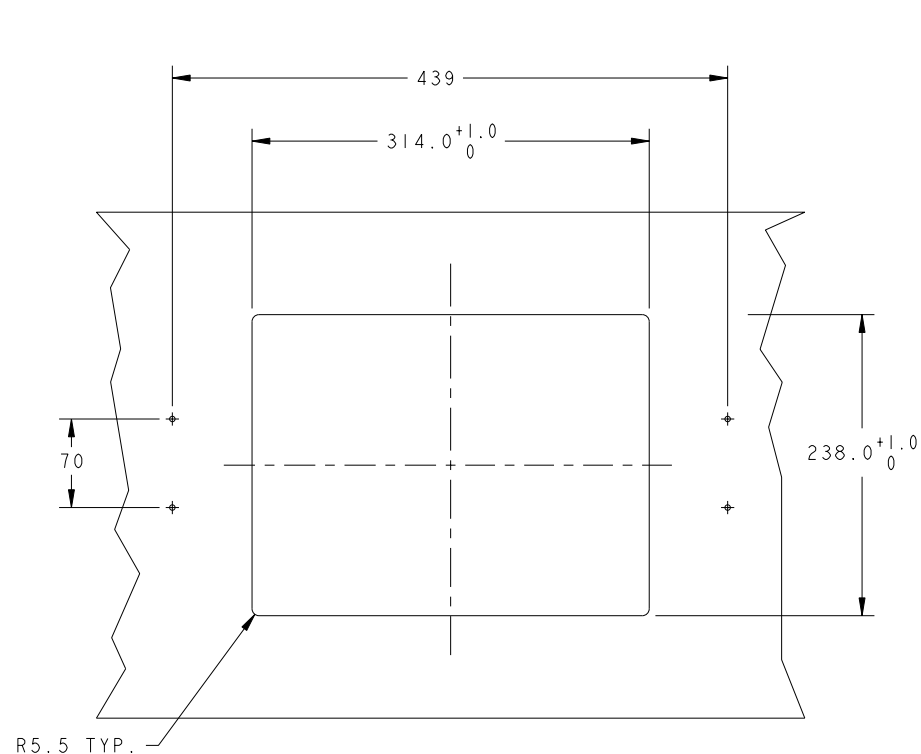
PART NUMBER	PART DESCRIPTION
F60749-000	ET1547L - 1SWC -1

SHEET 1 OF 2  
SCALE 1:2

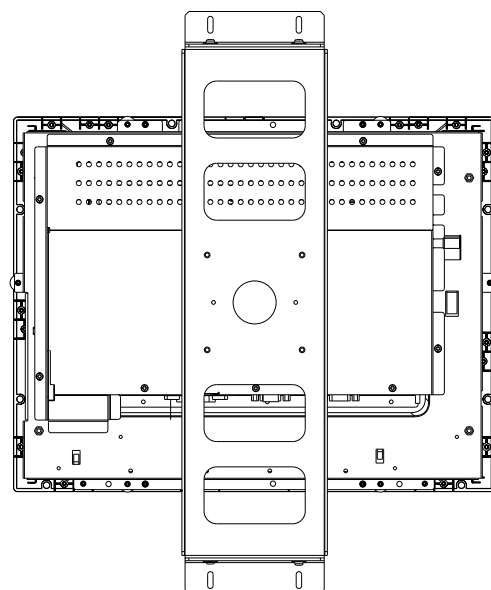
DIMENSIONS ARE IN MILLIMETERS



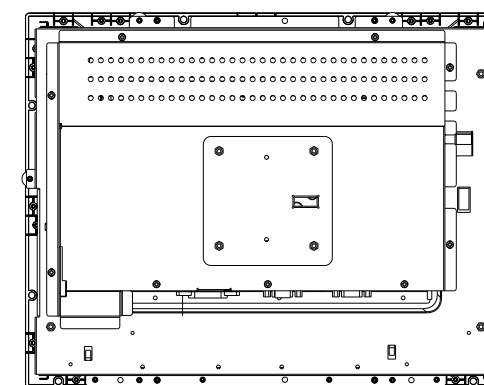
PLATE CUT OUT, REAR MOUNT



HORIZONTAL BRACKET INSTALLATION



VERTICAL BRACKET INSTALLATION



NO BRACKET INSTALLATION

DIMENSIONS ARE IN MILLIMETERS

MATERIAL:  
 1. WOOD: Ø4.5 HOLES THRU FOR M4 SCREWS W/ NUTS,  
 OR NO THRU HOLES, SCREWS FOR WOOD Ø4  
 2. SHEET METAL: CONCEALED HEAD THREADED STUDS M4 W/ NUTS

NOTES:  
 1. 3D FILES AVAILABLE  
 2. REFER TO ELO WEBSITE FOR PROJECTED CAPACITIVE  
 USER MANUAL

SHEET 2 OF 2  
 SCALE 13:40

