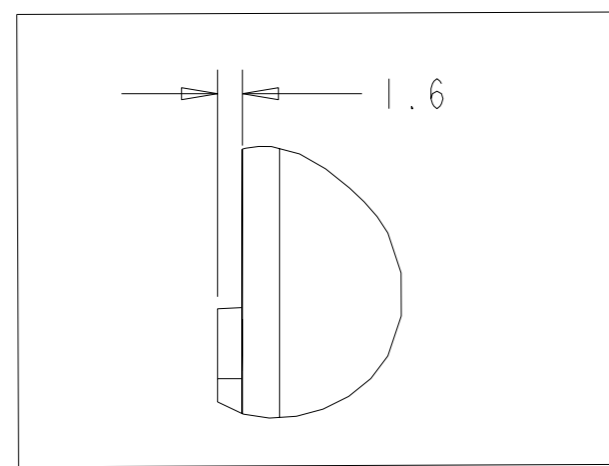
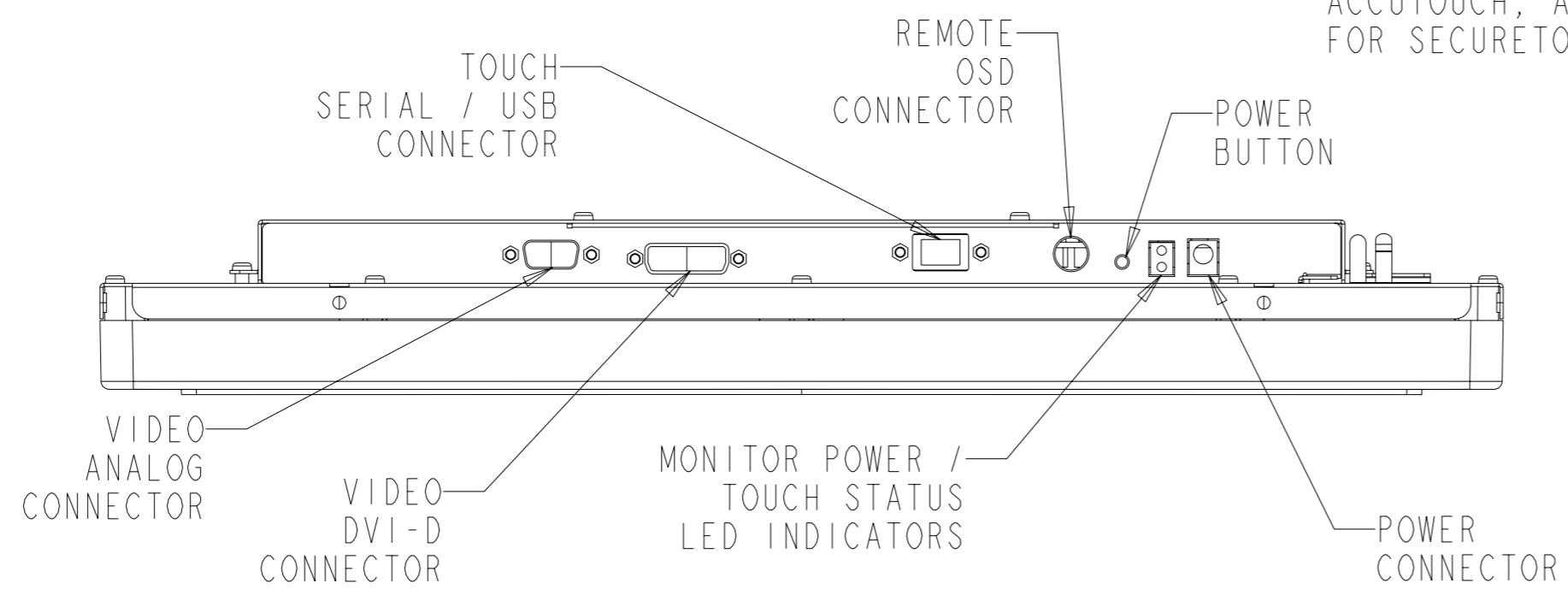
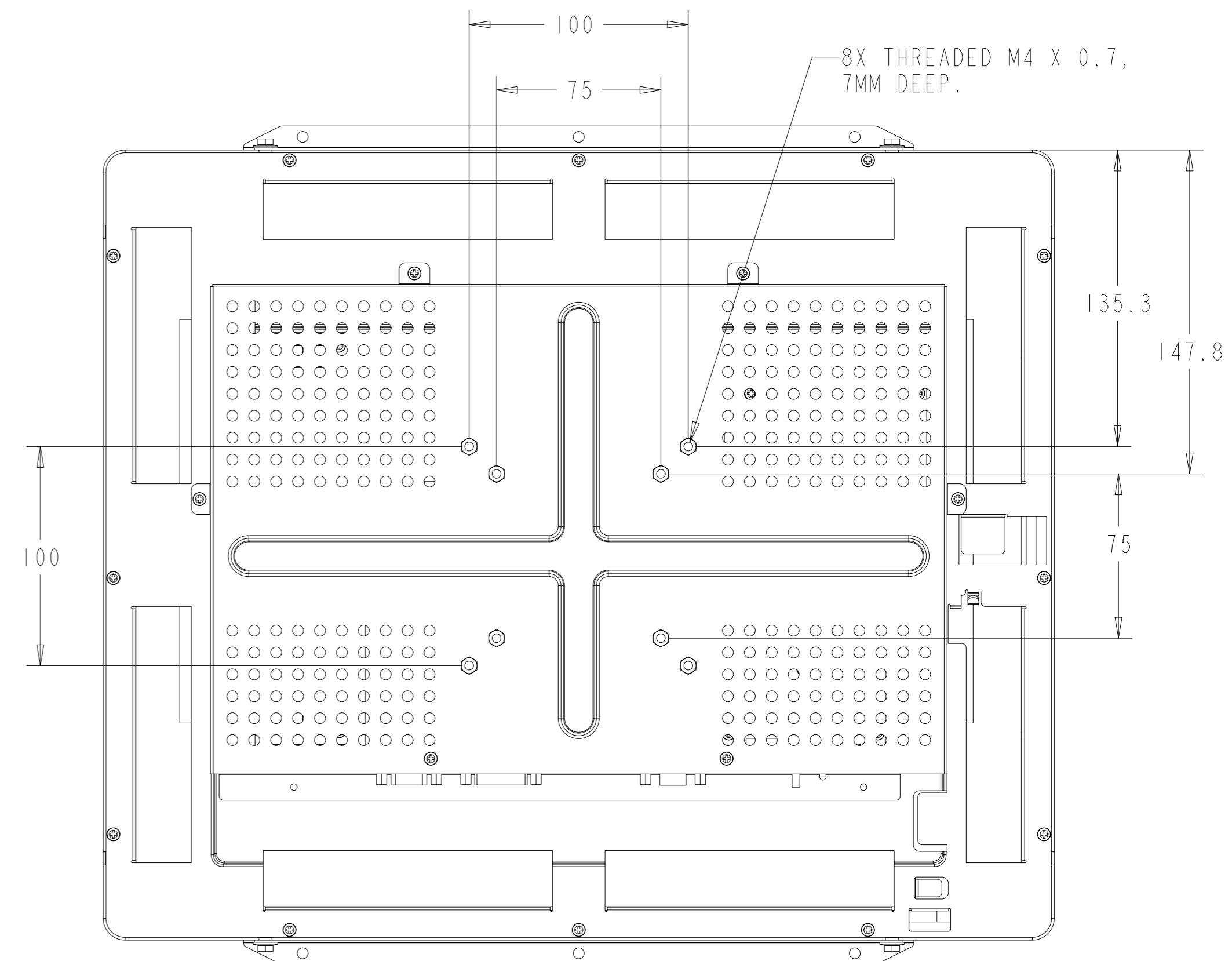
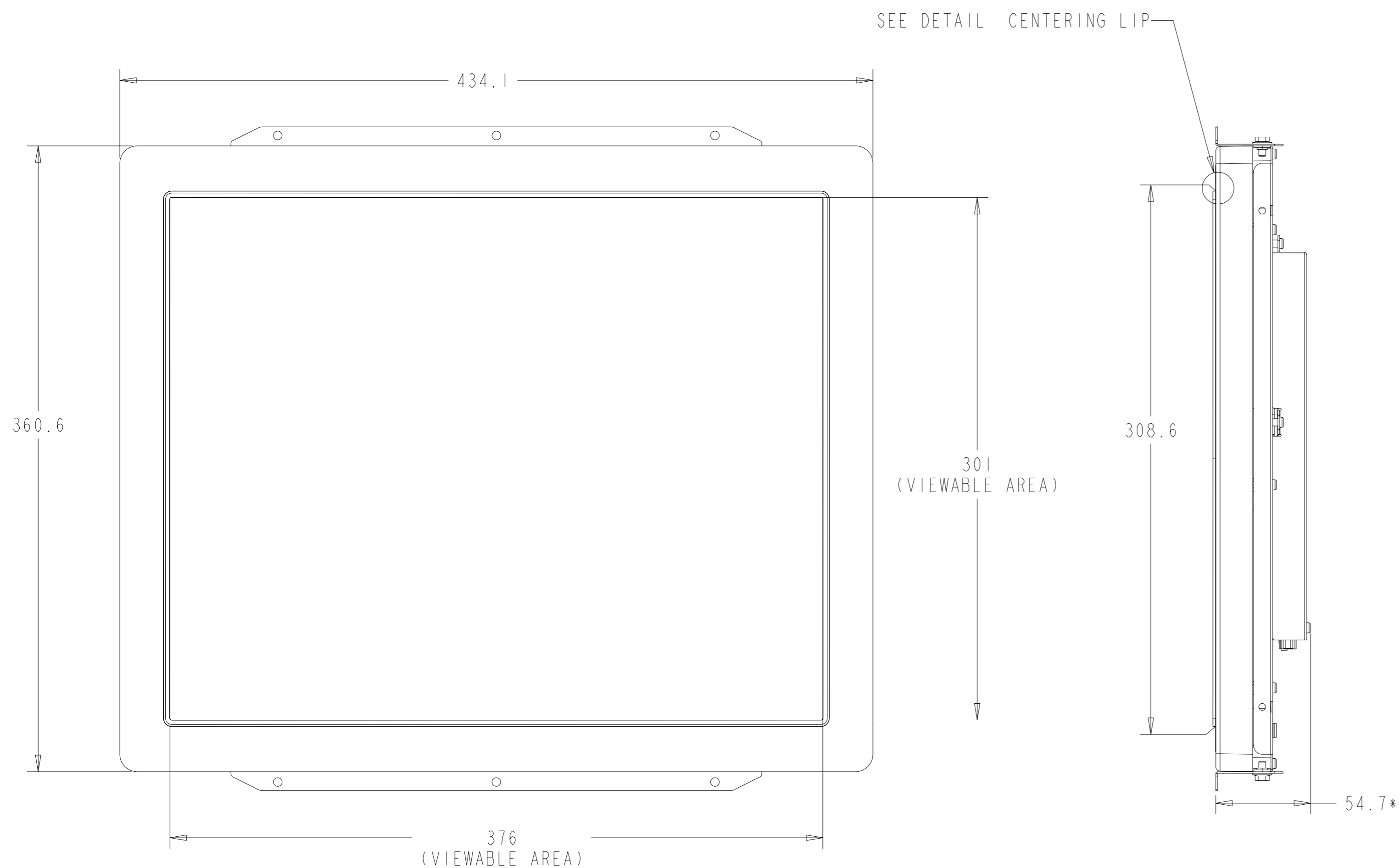


ET1947L SERIES
REAR MOUNT KIOSK

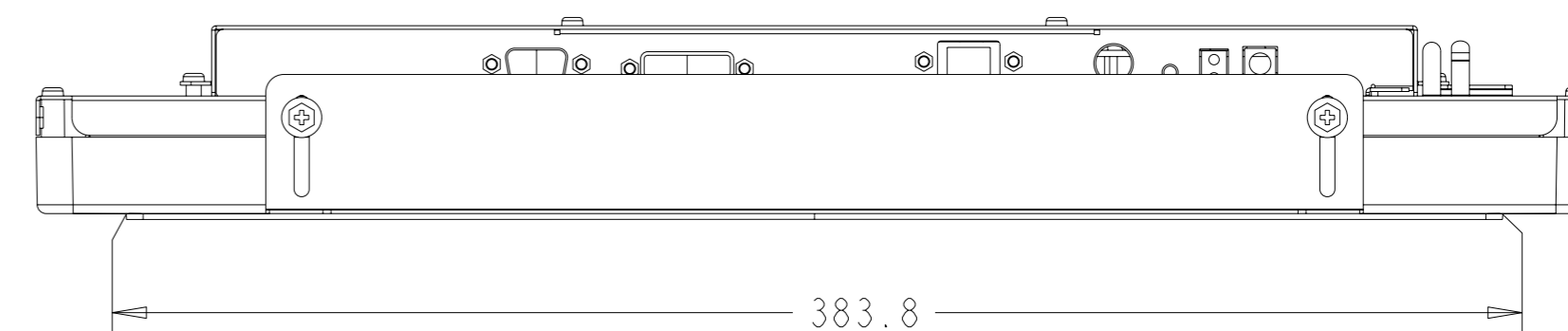
PIP DESCRIPTION	PIP NUMBER
ET1947L-6SWA-1	928182-000
ET1947L-6UWA-1	A91313-000
ET1947L-7SWA-1	D52226-000
ET1947L-7UWA-1	A50245-000
ET1947L-8SWA-1	229628-000
ET1947L-8UWA-1	C71685-000



DETAIL CENTERING LIP
SCALE 2.000



* NOTED DIMENSIONS ARE FOR NON-TOUCH, ACCUTOUCH, AND INTELLITOUCH ONLY. FOR SECURETOUCH ADD 4 MM TO DIMENSION.

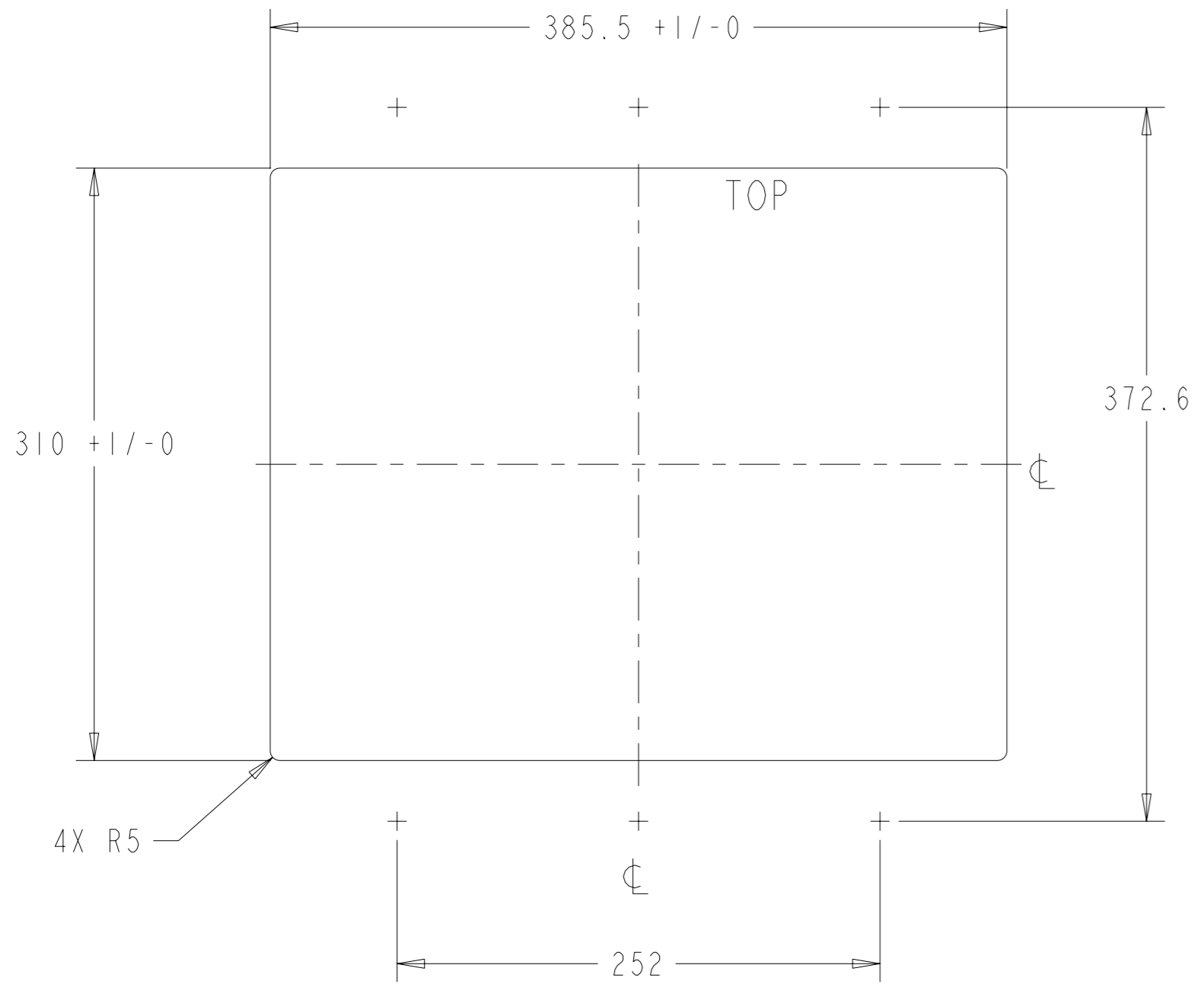


DIMENSIONS ARE IN MILLIMETERS

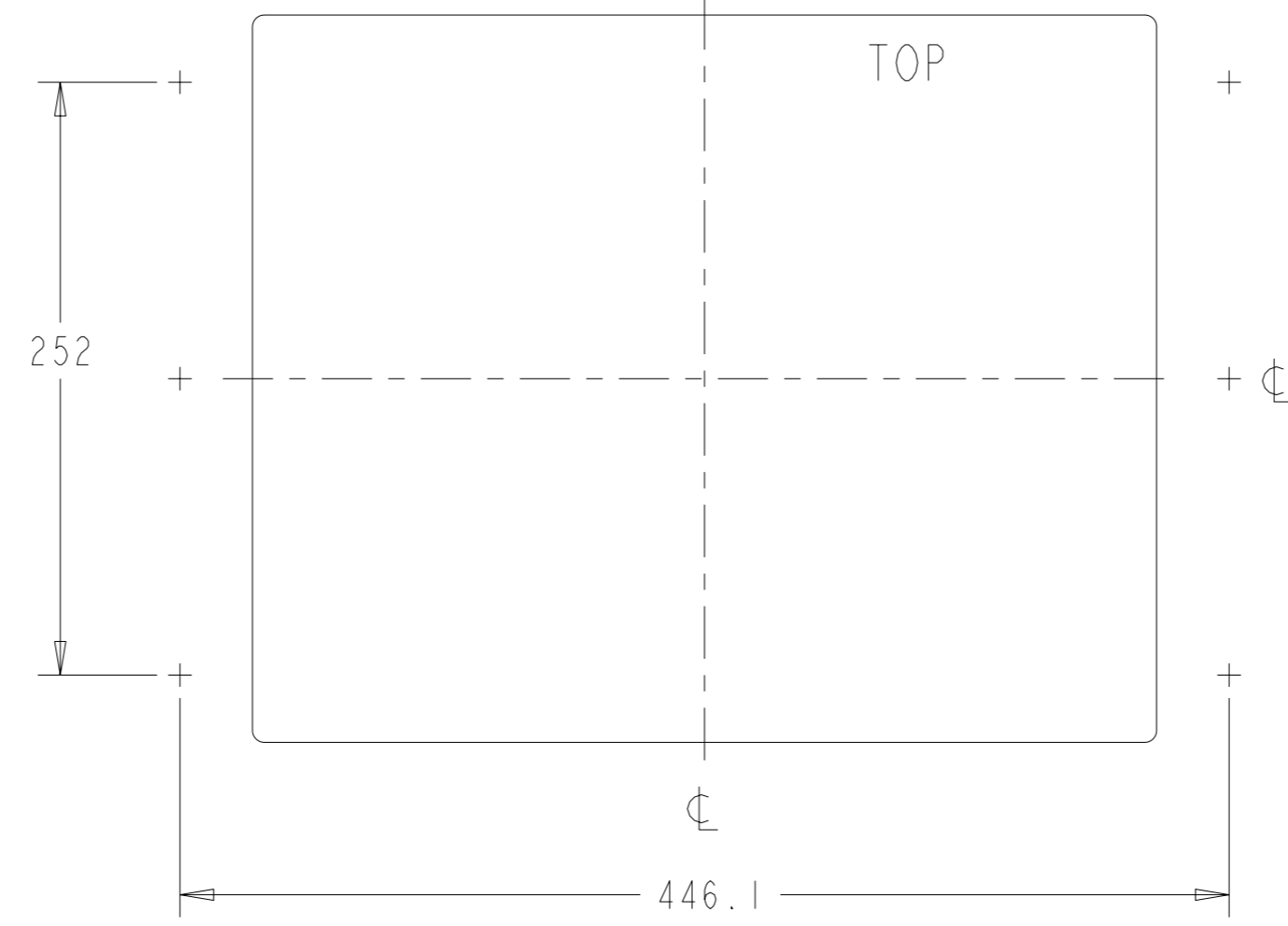
ETI947L SERIES, REAR MOUNT KIOSK

- NOTES FOR ALL MOUNTING OPTIONS BELOW:
1. ALL DRAWING CENTERS ARE THE CENTER OF THE VIEWABLE AREA.
 2. LCD PANEL CUTOUT DIMENSIONS IN OPTION 1 APPLIES TO OPTION 2.
 3. IF CUSTOMER KIOSK MATERIAL IS WOOD:
 $\varnothing 4.5$ HOLES THRU FOR M4 SCREWS W/ NUTS,
OR NO THRU HOLES, SCREWS FOR WOOD $\varnothing 4$.
 4. IF CUSTOMER KIOSK MATERIAL IS SHEETMETAL:
CONCEALED HEAD THREADED STUDS M4 W/ NUTS.

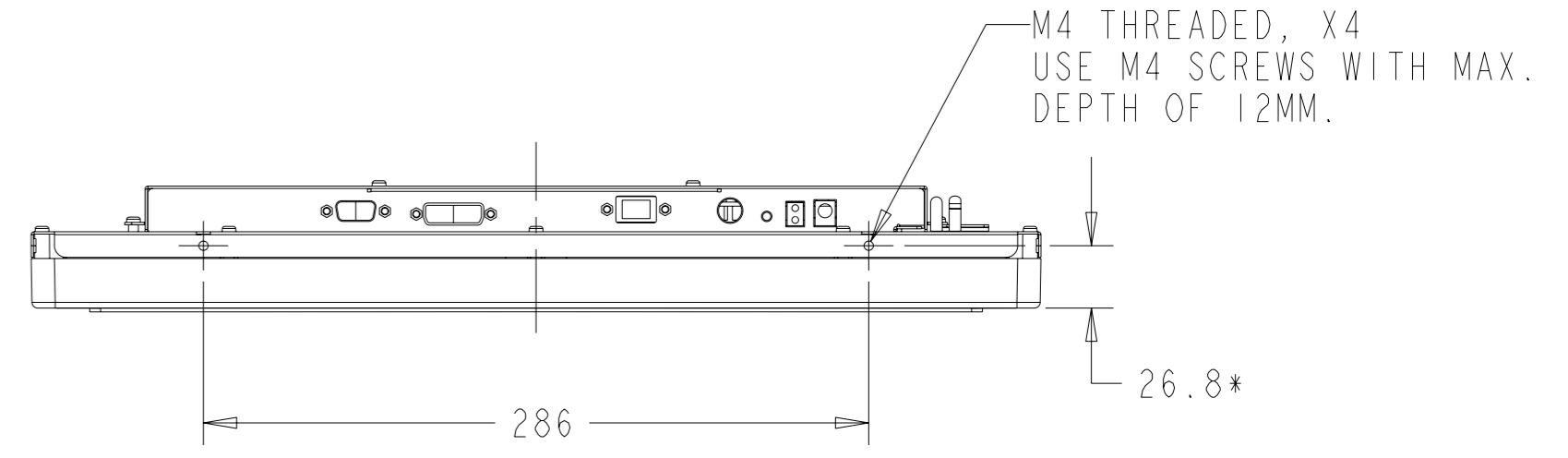
OPTION 1



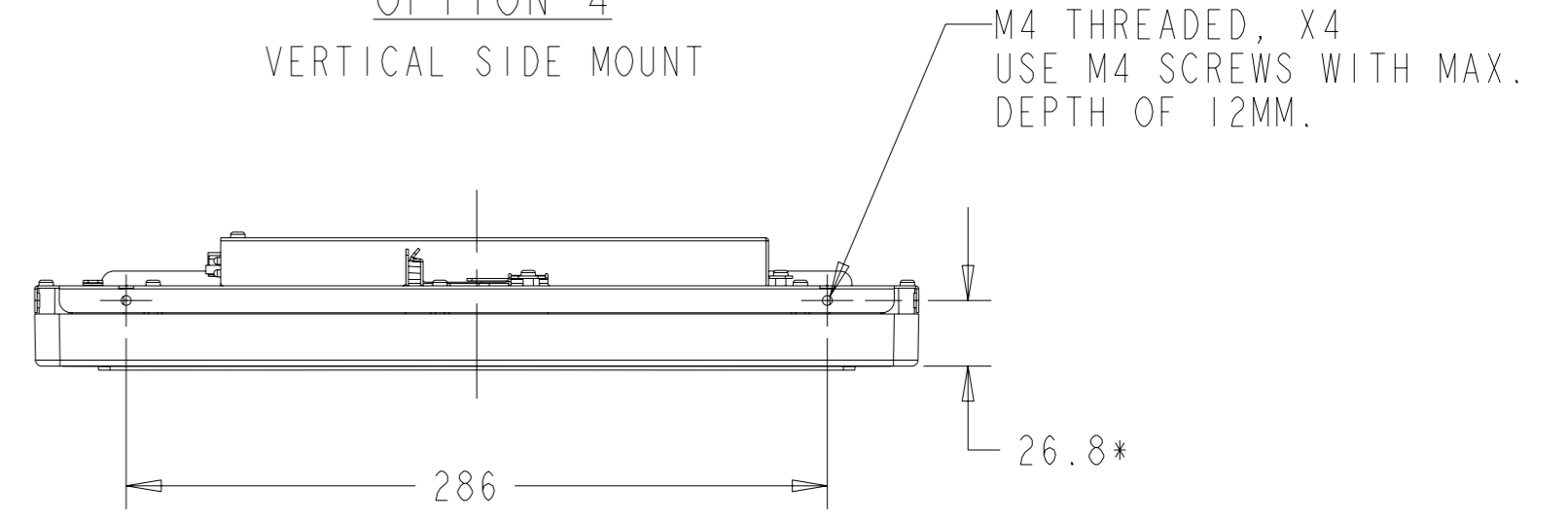
OPTION 2



OPTION 3
HORIZONTAL SIDE MOUNT



OPTION 4
VERTICAL SIDE MOUNT



* NOTED DIMENSIONS ARE FOR NON-TOUCH, ACCUTOUCH, AND INTELLITOUCH ONLY. FOR SECURETOUCH ADD 4 MM TO EACH DIMENSION.

