

TILT 35° FROM VERTICAL

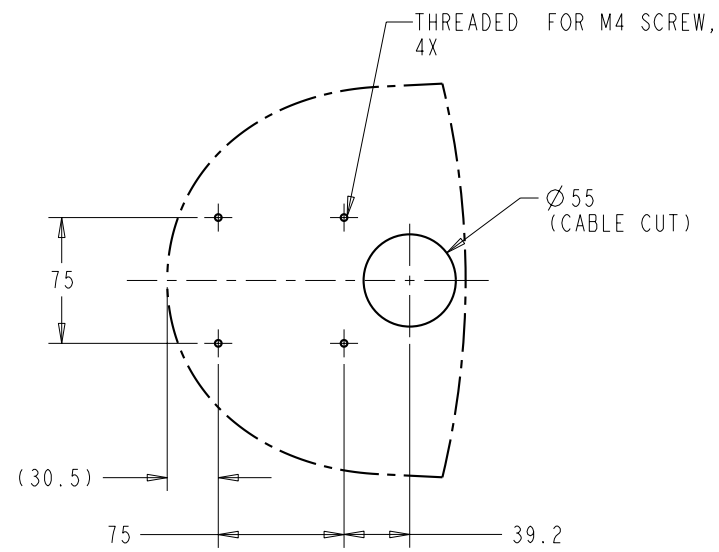
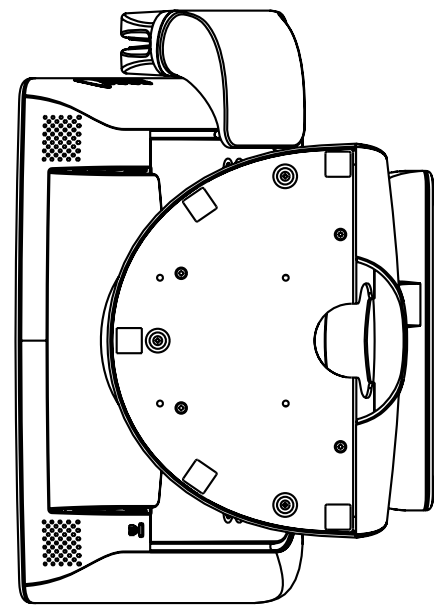
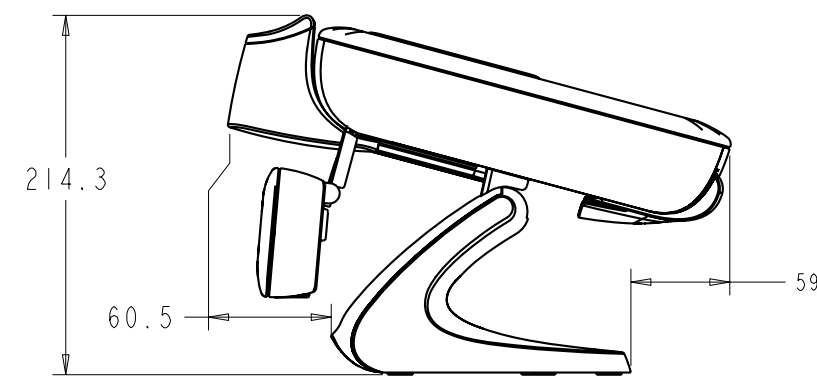


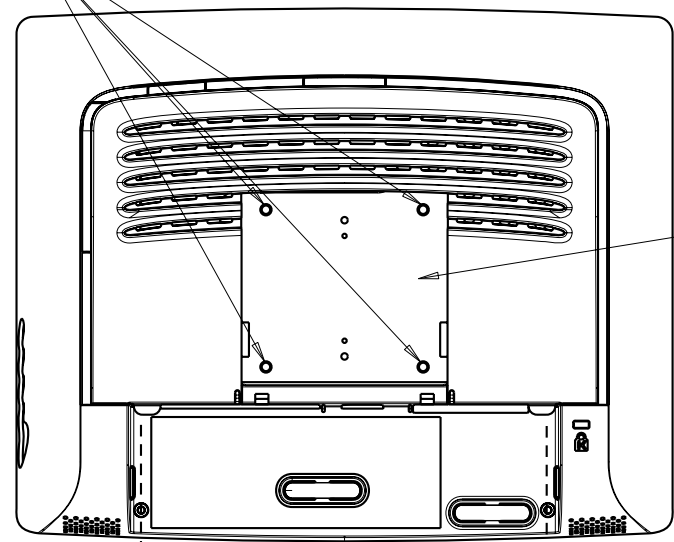
FIGURE 1: BASE MOUNTING PATTERN



TILT 75° FROM VERTICAL

REMOVE THESE FOUR SCREWS  
AND RETAIN FOR REASSEMBLY

FIGURE 2 : STAND AND DISPLAY SEPERATION



VESA MOUNT SURFACE  
LIES 8MM BELOW PLASTIC

(BACK VIEW SHOWN WITH  
STAND AND CABLE-  
COVER REMOVED)

(BACK VIEW SHOWN  
WITH STAND REMOVED)

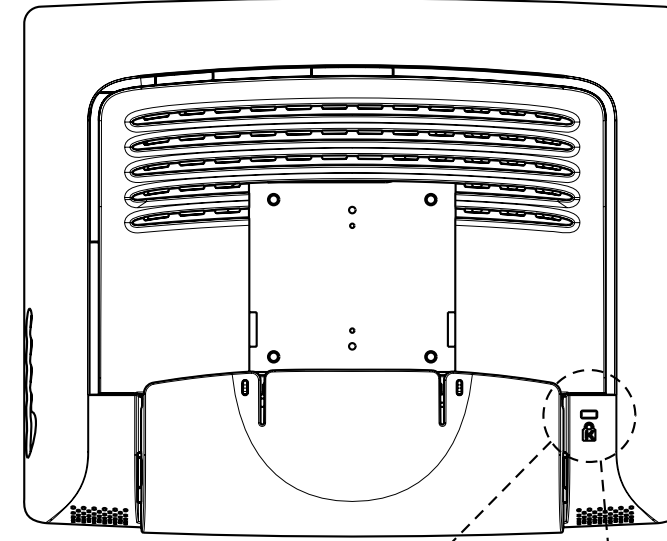
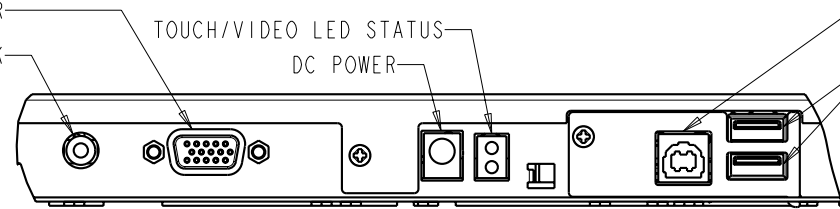


FIGURE 7: KENSINGTON LOCK DETAIL

ANALOG VIDEO CONNECTOR  
AUDIO IN, 2.5MMØ JACK

FIGURE 3: USB HUB OPTION



USB IN AND TOUCH-SCREEN CONNECTOR

USB OUT

SERIAL  
TOUCH-SCREEN CONNECTOR

SERIAL MSR CONNECTOR

CUSTOMER DISPLAY  
CONNECTOR

FIGURE 4: SERIAL OPTION

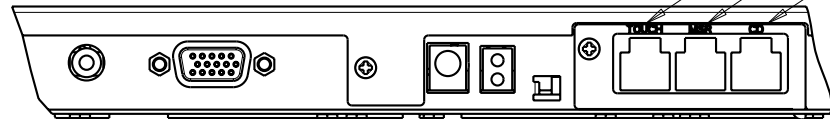
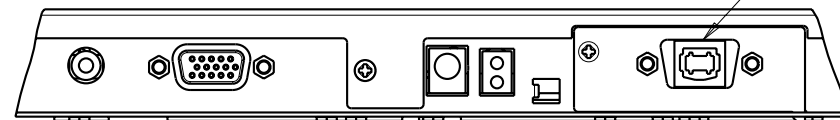
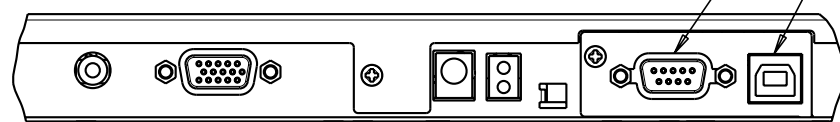


FIGURE 5: USB TOUCH ONLY OPTION



USB TOUCH-SCREEN ONLY

FIGURE 6: USB / SERIAL OPTION (COMBO)



SERIAL TOUCH-SCREEN

USB TOUCH-SCREEN

NO TOUCH OPTION ALSO AVAILABLE  
(NOT SHOWN)

KENSINGTON CABLE LOCK

LOCK RECEPTICLE  
IN BACK COVER